



US00D637026S

(12) **United States Design Patent**
Lin

(10) **Patent No.:** **US D637,026 S**

(45) **Date of Patent:** **** May 3, 2011**

(54) **RAIL FOR A DRAWER**

(76) Inventor: **Chen-Chieh Lin**, Taichung (TW)

(**) Term: **14 Years**

(21) Appl. No.: **29/362,082**

(22) Filed: **May 19, 2010**

(51) **LOC (9) Cl.** **06-02**

(52) **U.S. Cl.** **D6/510**

(58) **Field of Classification Search** D6/501,
D6/510, 546, 574, 495, 513; D8/349, 354,
D8/363, 376-377, 380, 400; 248/200-201,
248/205.1; 312/330.1, 334.1, 334.5, 334.7-334.8,
312/334.21, 334.23, 334.27-29, 334.34;
384/20-22

See application file for complete search history.

(56) **References Cited**

U.S. PATENT DOCUMENTS

D266,212 S *	9/1982	Haug	D8/315
D278,011 S *	3/1985	Spitz	D6/503
D299,393 S *	1/1989	Sands	D6/503
D338,791 S *	8/1993	Cohen	D6/501
D373,700 S *	9/1996	Theodorou	D6/580
D376,060 S *	12/1996	Cohen	D6/501
5,599,080 A *	2/1997	Ho	312/334.7
D382,428 S *	8/1997	Meier et al.	D6/511
D392,056 S *	3/1998	Wang	D25/164
D415,981 S *	11/1999	Dickie	D12/133
D419,021 S *	1/2000	Owens	D6/574
6,386,661 B1 *	5/2002	Woerner	312/334.5
D486,678 S *	2/2004	Hightower	D6/510

D512,159 S *	11/2005	Grutzke et al.	D25/38
D521,294 S *	5/2006	Ferrer Beltran	D6/546
7,040,725 B1 *	5/2006	Mao-Chin	312/334.44
D523,272 S *	6/2006	Ferrer Beltran	D6/546
7,108,143 B1 *	9/2006	Lin	211/183
D535,404 S *	1/2007	Bordewyk et al.	D25/38
7,159,958 B1 *	1/2007	Lu	312/334.44
D547,981 S *	8/2007	Cohen	D6/501
D552,389 S *	10/2007	Papiernik	D6/501
D600,948 S *	9/2009	Glover	D6/495
7,597,413 B2 *	10/2009	Fitz	312/334.15
D622,829 S *	8/2010	Barnard	D23/304

* cited by examiner

Primary Examiner — Elizabeth A Albert

Assistant Examiner — Kelley A Donnelly

(74) *Attorney, Agent, or Firm* — Ladas & Parry, LLP

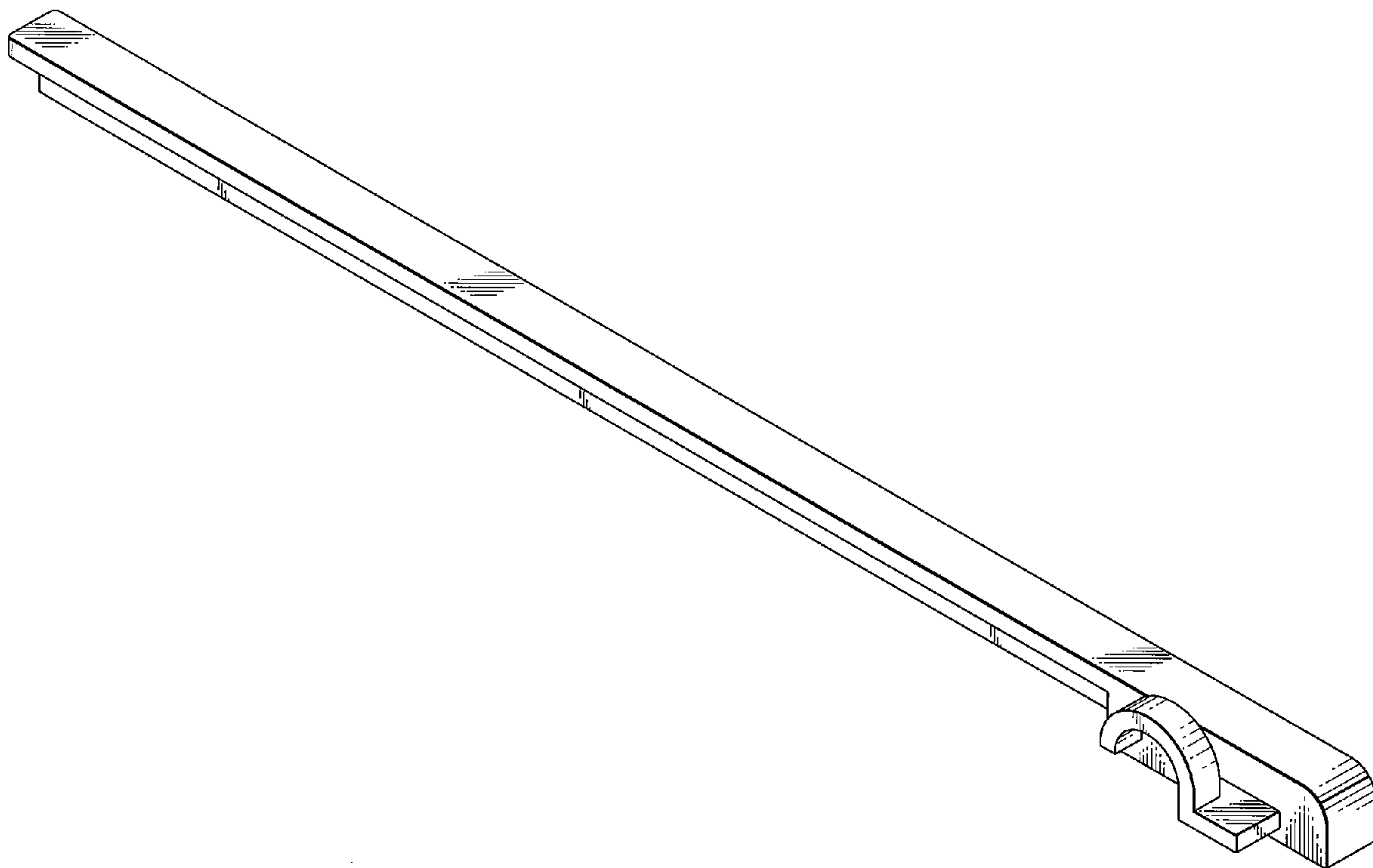
(57) **CLAIM**

The ornamental design for rail for a drawer, as shown and described.

DESCRIPTION

FIG. 1 is a perspective view of rail for a drawer showing my new design;
FIG. 2 is a front elevational view thereof;
FIG. 3 is a rear elevational view thereof;
FIG. 4 is a left side elevational view thereof;
FIG. 5 is a right side elevational view thereof;
FIG. 6 is a top plan view thereof; and,
FIG. 7 is a bottom plan view thereof.

1 Claim, 6 Drawing Sheets



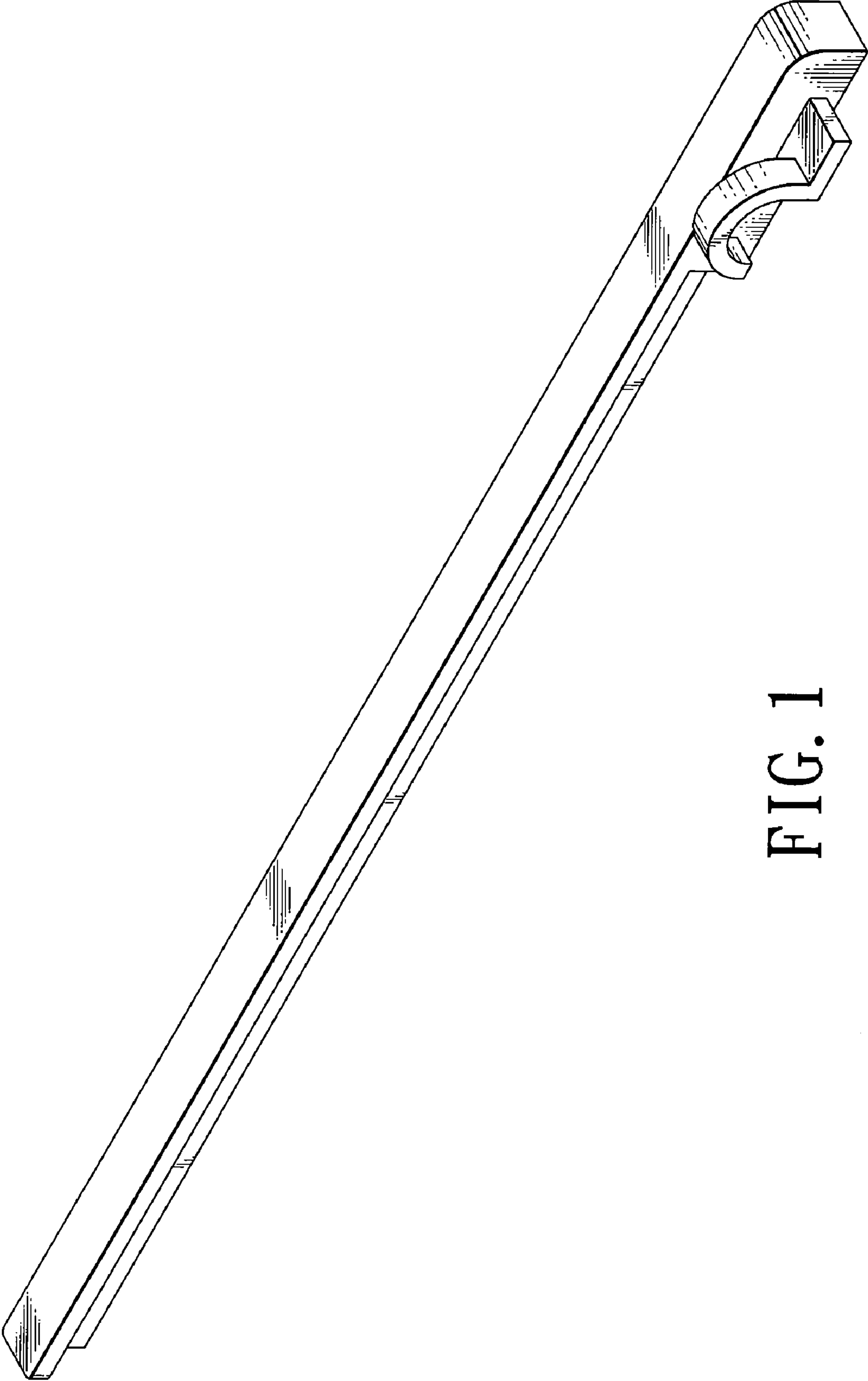


FIG. 1

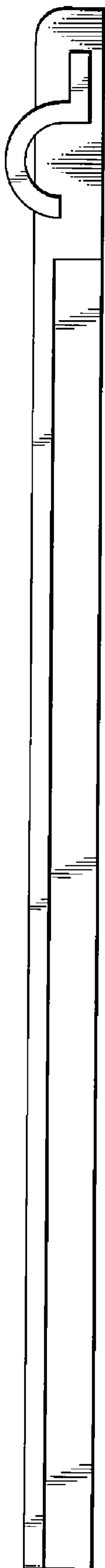


FIG. 2

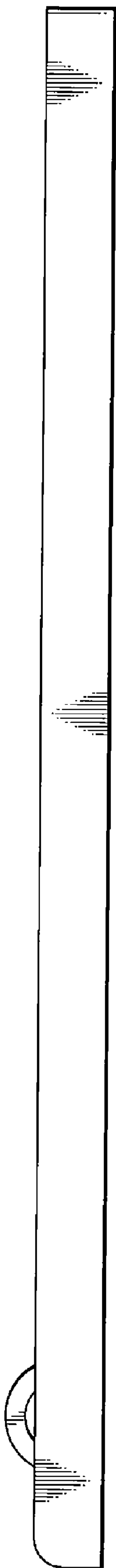


FIG. 3

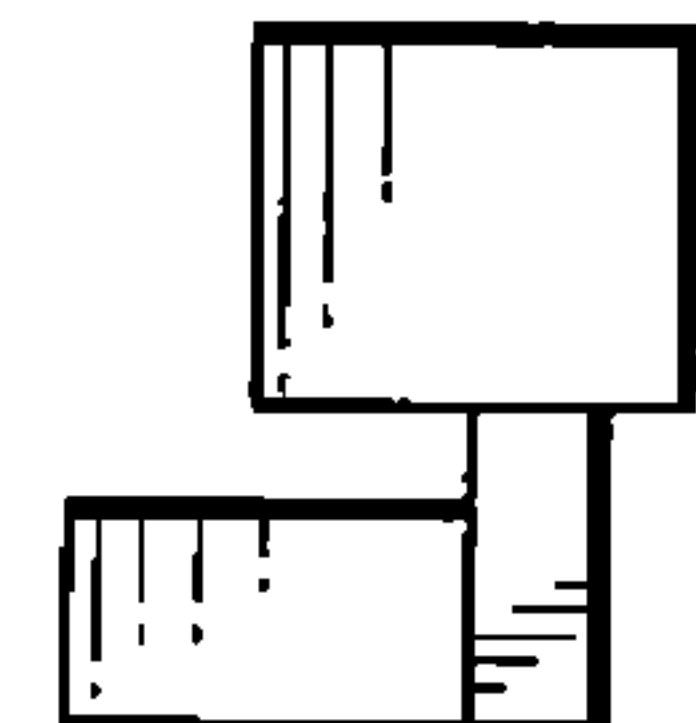


FIG. 4



FIG. 5

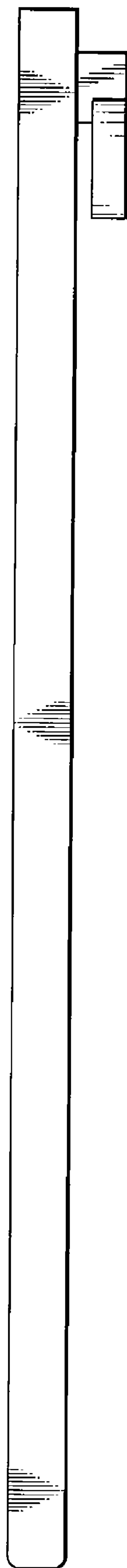


FIG. 6

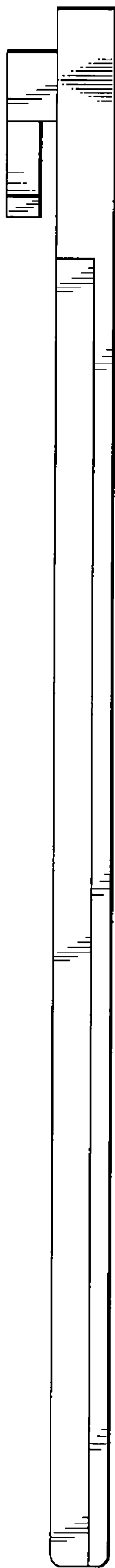


FIG. 7