



US00D637021S

(12) **United States Design Patent**
Pellitiere

(10) **Patent No.:** **US D637,021 S**

(45) **Date of Patent:** **** May 3, 2011**

- (54) **SORTING AND COUNTING TRAY**
- (76) Inventor: **Charles J. Pellitiere**, Rochester, NY
(US)
- (**) Term: **14 Years**
- (21) Appl. No.: **29/323,645**
- (22) Filed: **Aug. 28, 2008**
- (51) **LOC (9) Cl.** **06-04**
- (52) **U.S. Cl.** **D6/509**
- (58) **Field of Classification Search** D6/511,
D6/513; D17/21; D15/145, 138, 135, 136,
D15/137; D25/121, 119, 136; 118/404,
118/405, 415, 427, 429, DIG. 2; 425/87,
425/113, 458; D8/14, 10; D7/554.4, 550.1;
206/557; D24/227; 414/675
See application file for complete search history.

- D374,582 S * 10/1996 Chu D6/513
- 5,726,394 A * 3/1998 Kramer sen. et al. 177/116
- D400,219 S * 10/1998 Mercier D15/145
- 6,116,425 A * 9/2000 Frayer, Sr. 206/557
- D556,976 S * 12/2007 Liautaud et al. D17/21
- D571,133 S * 6/2008 Liss et al. D6/511

* cited by examiner

Primary Examiner — Phillip S Hyder
Assistant Examiner — Sydney Buffalow
 (74) *Attorney, Agent, or Firm* — Tracy P. Jong; Cheng Ning
 Jong; Tracy Jong Law Firm

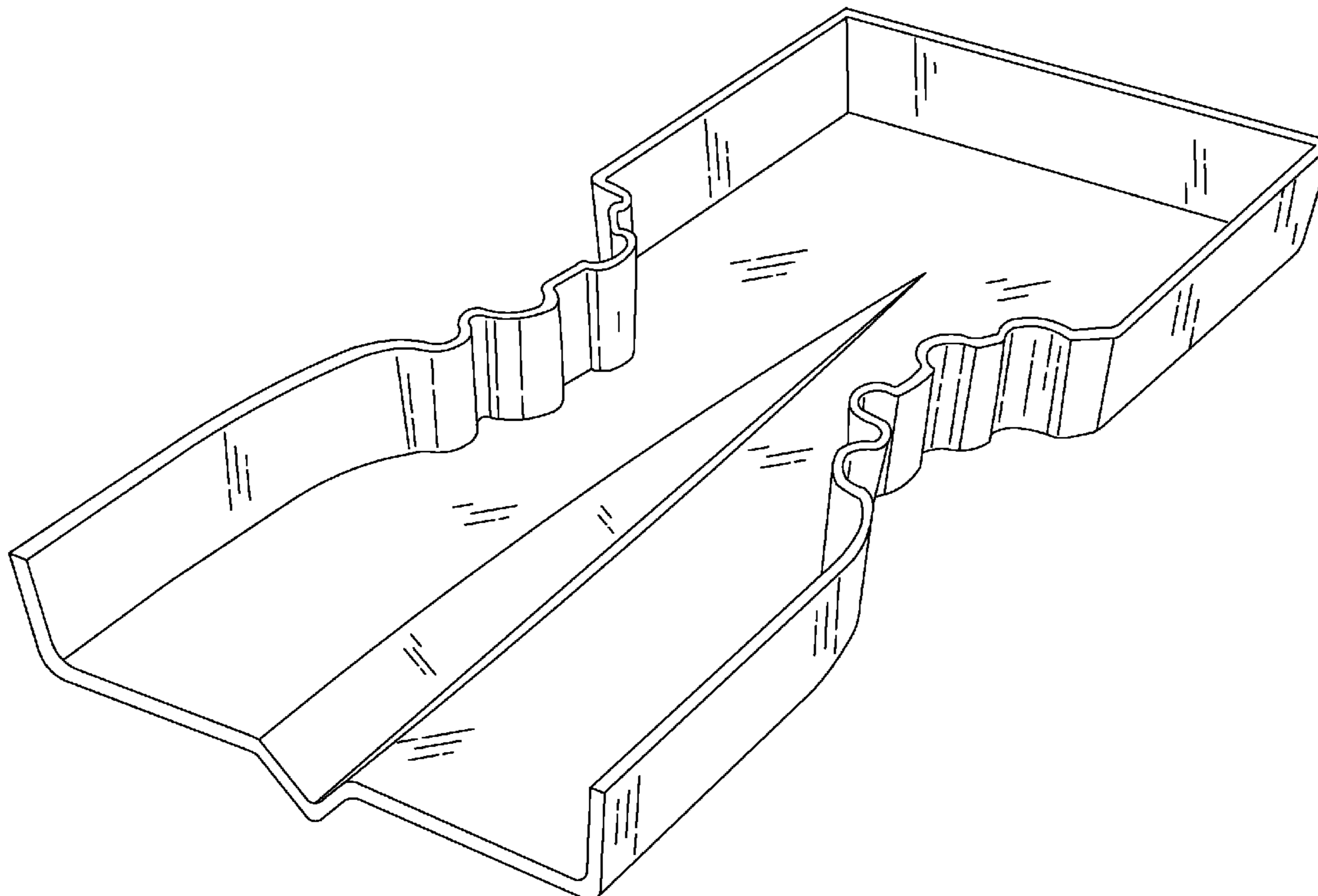
(57) **CLAIM**
 The ornamental design for a sorting and counting tray, as
 shown.

DESCRIPTION

FIG. 1 is a front perspective view of a sorting and counting
 tray showing the design;
 FIG. 2 is a rear perspective view of a sorting and counting tray
 showing the design;
 FIG. 3 is a plan view from the top thereof;
 FIG. 4 is a bottom plan view thereof;
 FIG. 5 is a front side elevational view thereof.
 FIG. 6 is a rear side elevational view thereof;
 FIG. 7 is a right side elevational plan view thereof; and,
 FIG. 8 is a left side elevational view thereof.

1 Claim, 6 Drawing Sheets

- (56) **References Cited**
- U.S. PATENT DOCUMENTS
- D173,833 S * 1/1955 talmadge D25/121
- 3,819,064 A * 6/1974 Chandler 414/675
- D253,278 S * 10/1979 Ziaylek, Jr. D8/373
- D260,039 S * 7/1981 de Ruiter D25/121
- D283,196 S * 4/1986 Hasse D8/10
- 4,643,316 A * 2/1987 Hoffmann 209/702
- 5,092,471 A * 3/1992 Pinizzotto et al. 209/614



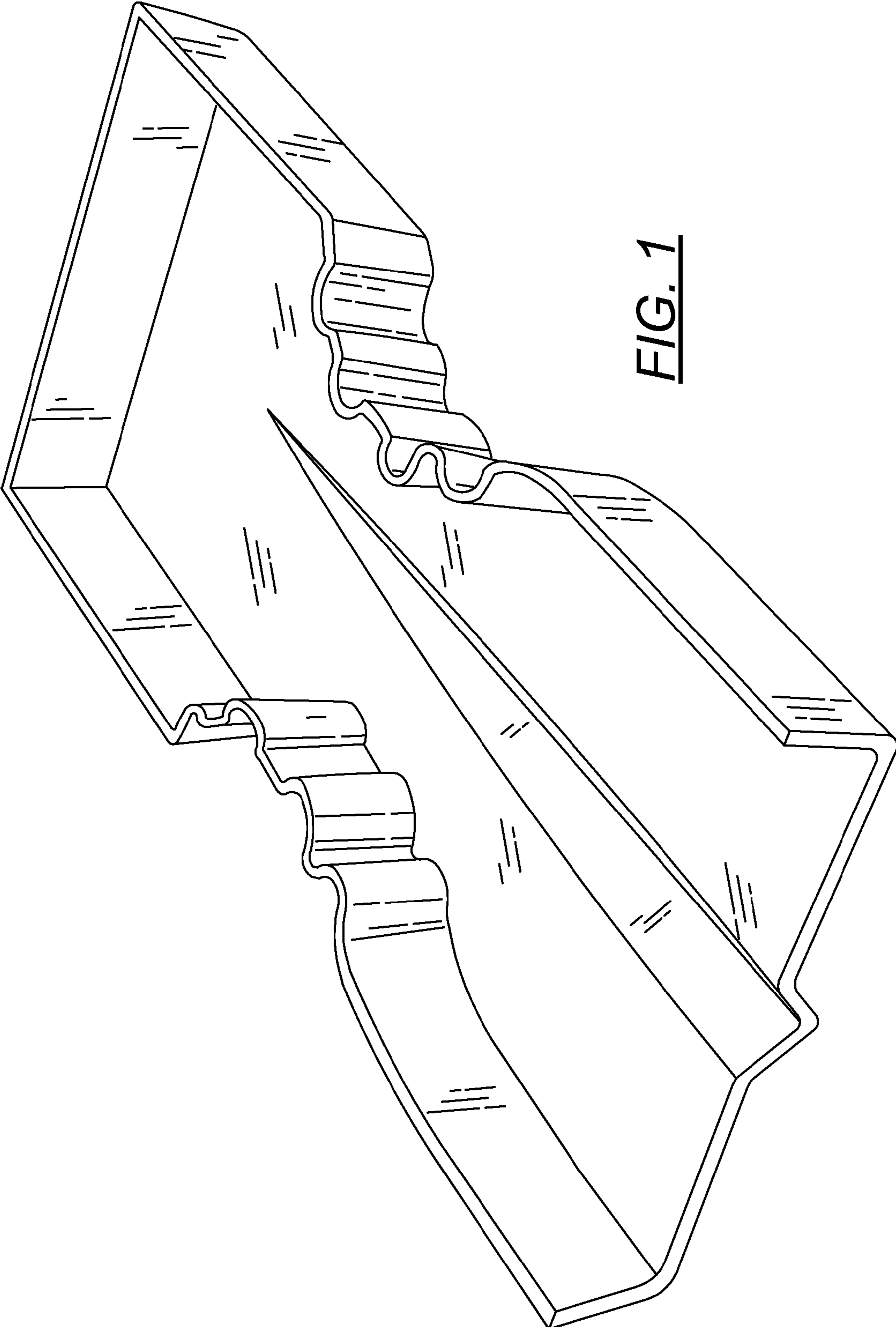


FIG. 1

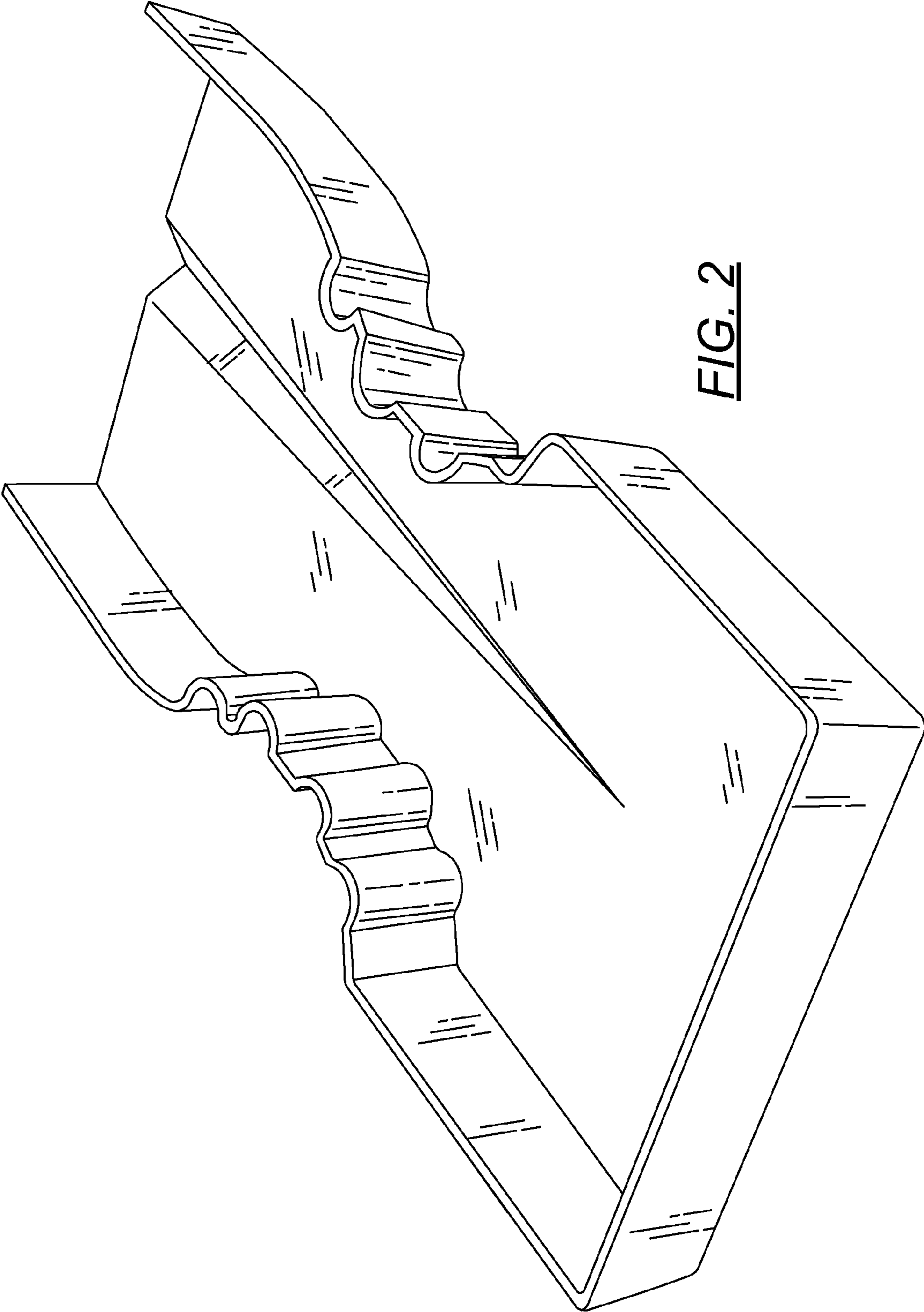


FIG. 2

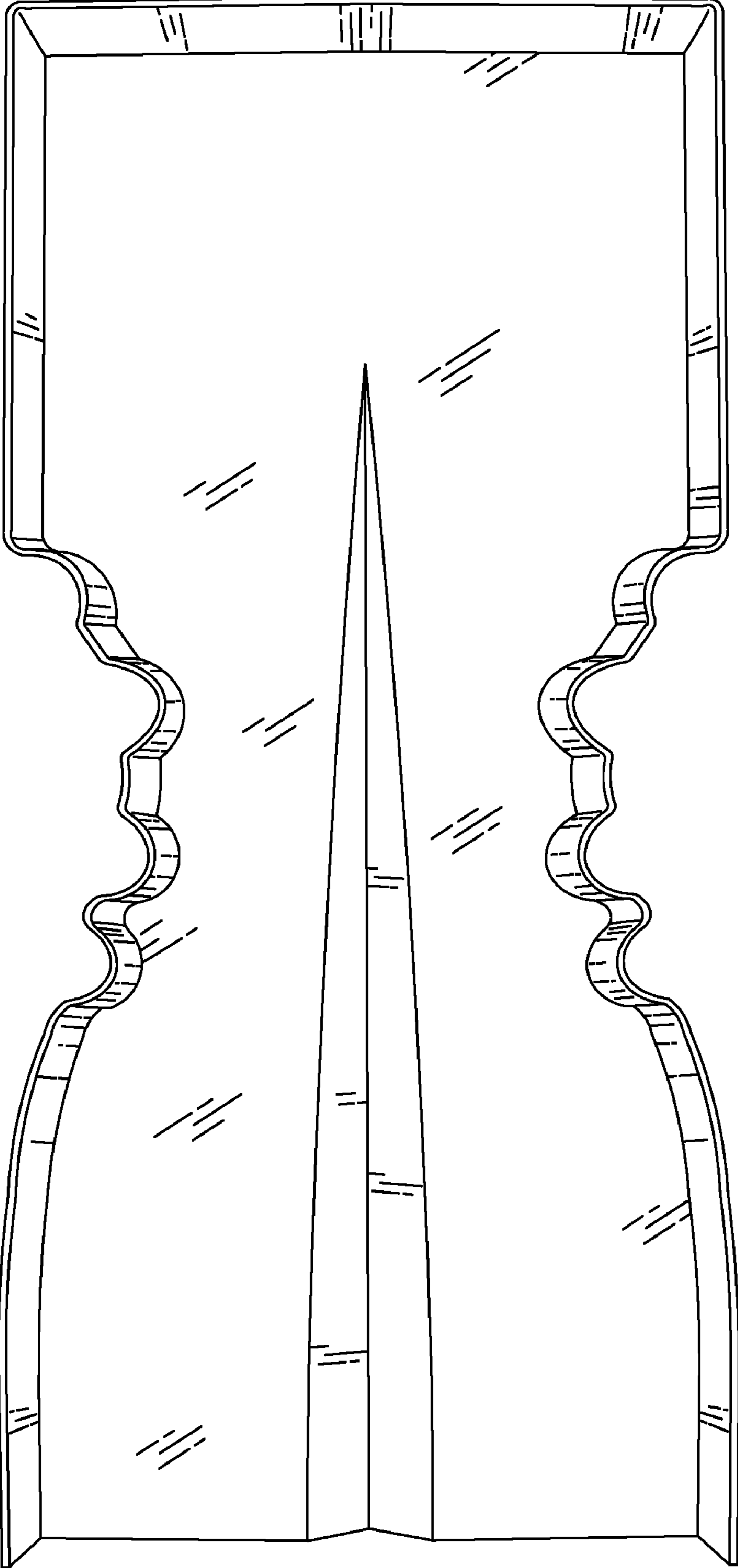


FIG. 3

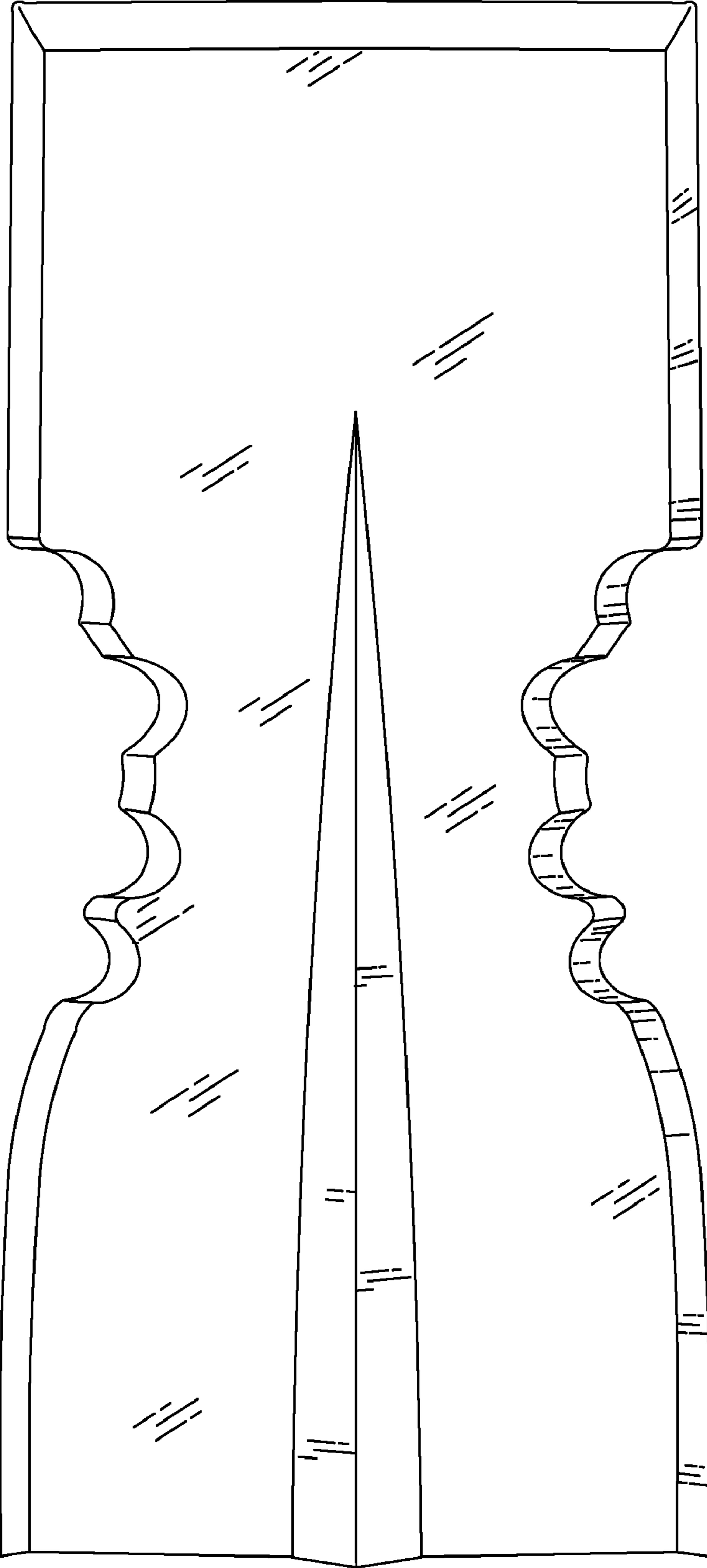


FIG. 4

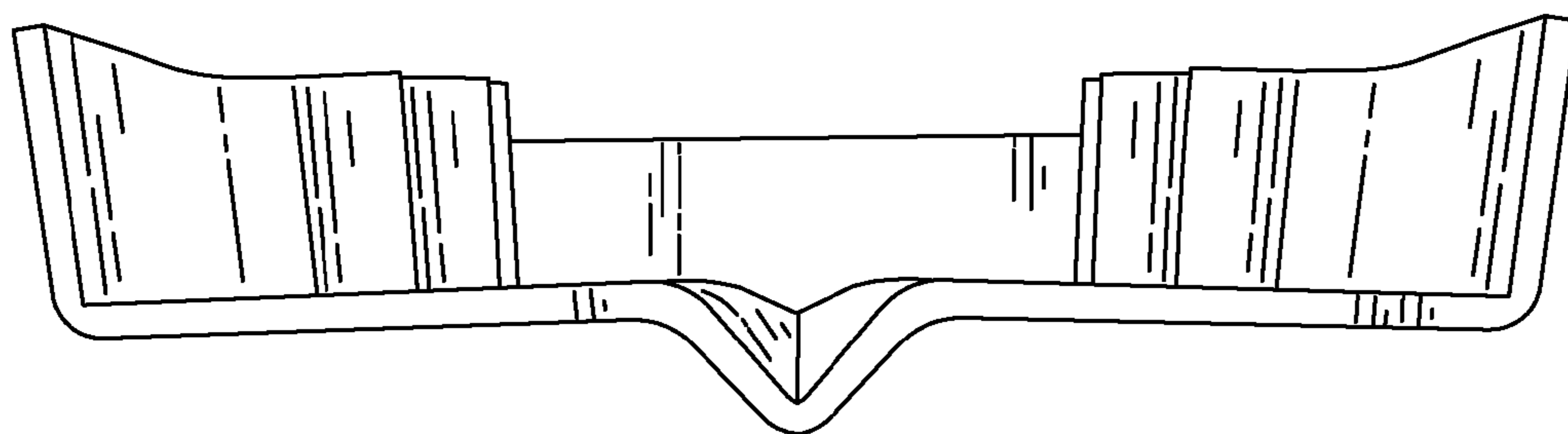


FIG. 5

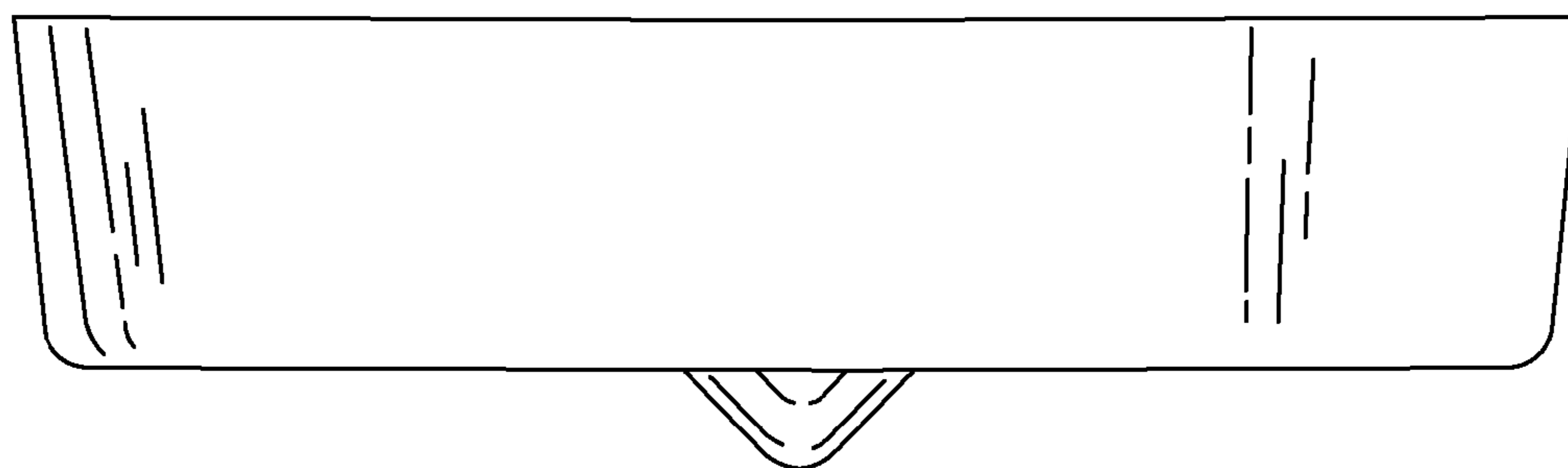


FIG. 6

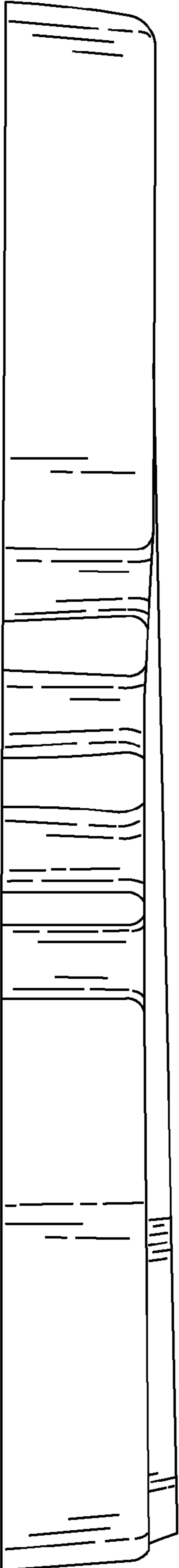


FIG. 7

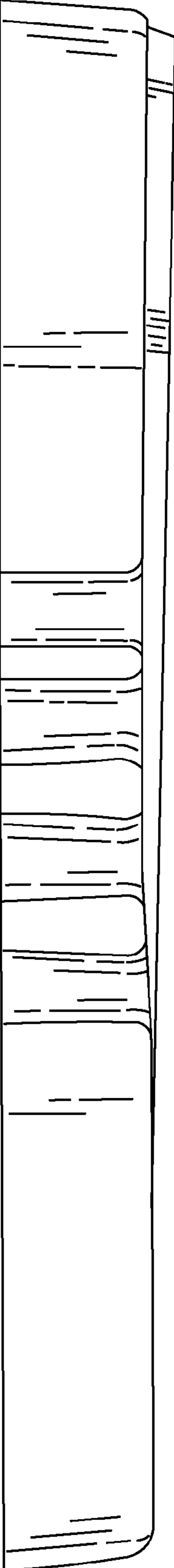


FIG. 8

UNITED STATES PATENT AND TRADEMARK OFFICE
CERTIFICATE OF CORRECTION

PATENT NO. : D637,021 S
APPLICATION NO. : 29/323645
DATED : May 3, 2011
INVENTOR(S) : Charles J. Pellitere

Page 1 of 1

It is certified that error appears in the above-identified patent and that said Letters Patent is hereby corrected as shown below:

On The Title Page, Item (76) 1st Inventor should appear as

Charles J. Pellitere

Signed and Sealed this
Twenty-second Day of December, 2015



Michelle K. Lee
Director of the United States Patent and Trademark Office