



US00D637017S

(12) **United States Design Patent**
Aoki

(10) **Patent No.:** **US D637,017 S**
(45) **Date of Patent:** **** May 3, 2011**

- (54) **ELECTRIC MASSAGING CHAIR**
- (75) Inventor: **Motohiro Aoki**, Tokyo (JP)
- (73) Assignee: **Panasonic Electric Works Co., Ltd.**,
Kadoma-shi (JP)
- (**) Term: **14 Years**
- (21) Appl. No.: **29/368,242**
- (22) Filed: **Aug. 20, 2010**
- (30) **Foreign Application Priority Data**
Feb. 23, 2010 (JP) 2010-004199
- (51) **LOC (9) Cl.** **06-01**
- (52) **U.S. Cl.** **D6/501**
- (58) **Field of Classification Search** D6/334–335,
D6/372–375, 358, 364, 379, 501–502;
297/411.26–411.28, 452.29, 452.3, 411.2
See application file for complete search history.

| | | | |
|----------------|---------|--------------------|------------|
| D498,070 S * | 11/2004 | Sauer | D6/373 |
| D498,599 S * | 11/2004 | Luong | D6/336 |
| D535,124 S * | 1/2007 | Garcia | D6/492 |
| D546,595 S * | 7/2007 | Hutton | D6/502 |
| D556,480 S * | 12/2007 | Tran | D6/501 |
| D559,594 S * | 1/2008 | Loudon | D6/501 |
| D564,249 S * | 3/2008 | Kriess | D6/379 |
| D572,950 S * | 7/2008 | Aoki et al. | D6/501 |
| 7,644,991 B2 * | 1/2010 | Davis et al. | 297/411.38 |
| D626,768 S * | 11/2010 | Galati et al. | D6/502 |

FOREIGN PATENT DOCUMENTS

JP 2008-68106 A 3/2008

* cited by examiner

Primary Examiner — Elizabeth A Albert

Assistant Examiner — Kelley A Donnelly

(74) *Attorney, Agent, or Firm* — Marvin A. Motsenbocker;
Mots Law, PLLC

(57) **CLAIM**

The ornamental design for an electric massaging chair, as shown and described.

DESCRIPTION

FIG. 1 is a perspective view of the electric massaging chair; FIG. 2 is a front view thereof, the rear view being a mirror image; FIG. 3 is a right side view thereof; FIG. 4 is a top plan view thereof; FIG. 5 is a bottom plan view thereof; FIG. 6 is a left side view thereof; and, FIG. 7 is a sectional view at cross-section 7—7 of FIG. 4 omitting interior mechanism. The portions of the article in broken lines are shown for illustrative purposes only and form no part of the claimed design. The long dash short dash line forms the boundary of the claimed design and forms no part of the claimed design.

1 Claim, 7 Drawing Sheets

- (56) **References Cited**
- U.S. PATENT DOCUMENTS
- D122,344 S * 9/1940 Smith D6/361
- D318,576 S * 7/1991 Fister, Jr. D6/334
- D319,353 S * 8/1991 Schwartz D6/369
- D336,376 S * 6/1993 Hollington D6/334
- D341,728 S * 11/1993 Grosfillex D6/379
- D406,469 S * 3/1999 Smith D6/334
- D417,558 S * 12/1999 Staubach et al. D6/334
- D430,740 S * 9/2000 Chun D6/334
- D434,916 S * 12/2000 Galati et al. D6/336
- D435,937 S * 1/2001 Back et al. D28/61
- D443,991 S * 6/2001 Picotti D6/366
- D455,566 S * 4/2002 Park D6/336
- D458,466 S * 6/2002 McCairley D6/365
- D460,885 S * 7/2002 Silva D6/500
- D468,543 S * 1/2003 O'Hare et al. D6/334
- D473,083 S * 4/2003 Denton D6/501
- D482,205 S * 11/2003 Englisch et al. D6/366

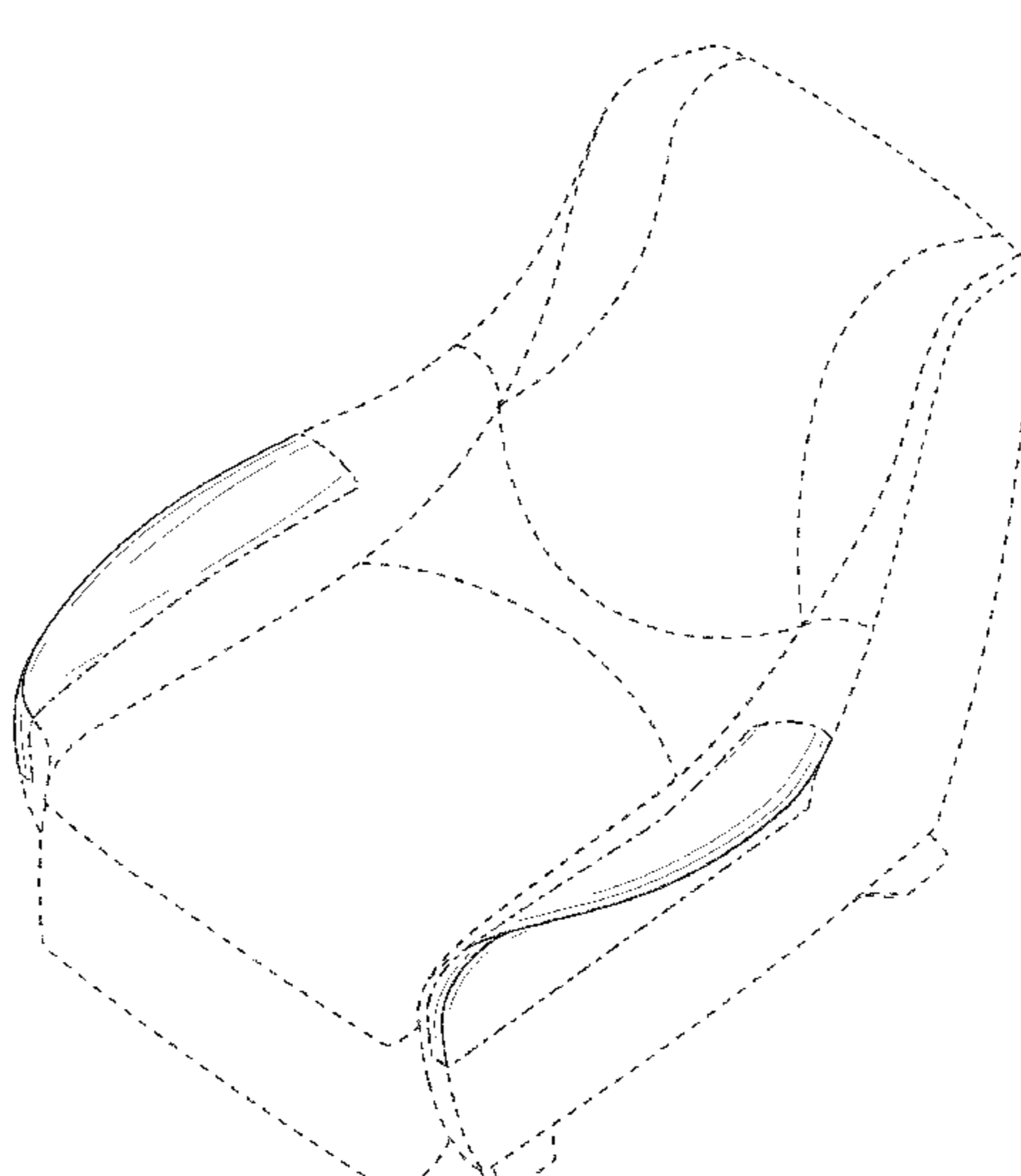


Fig. 1

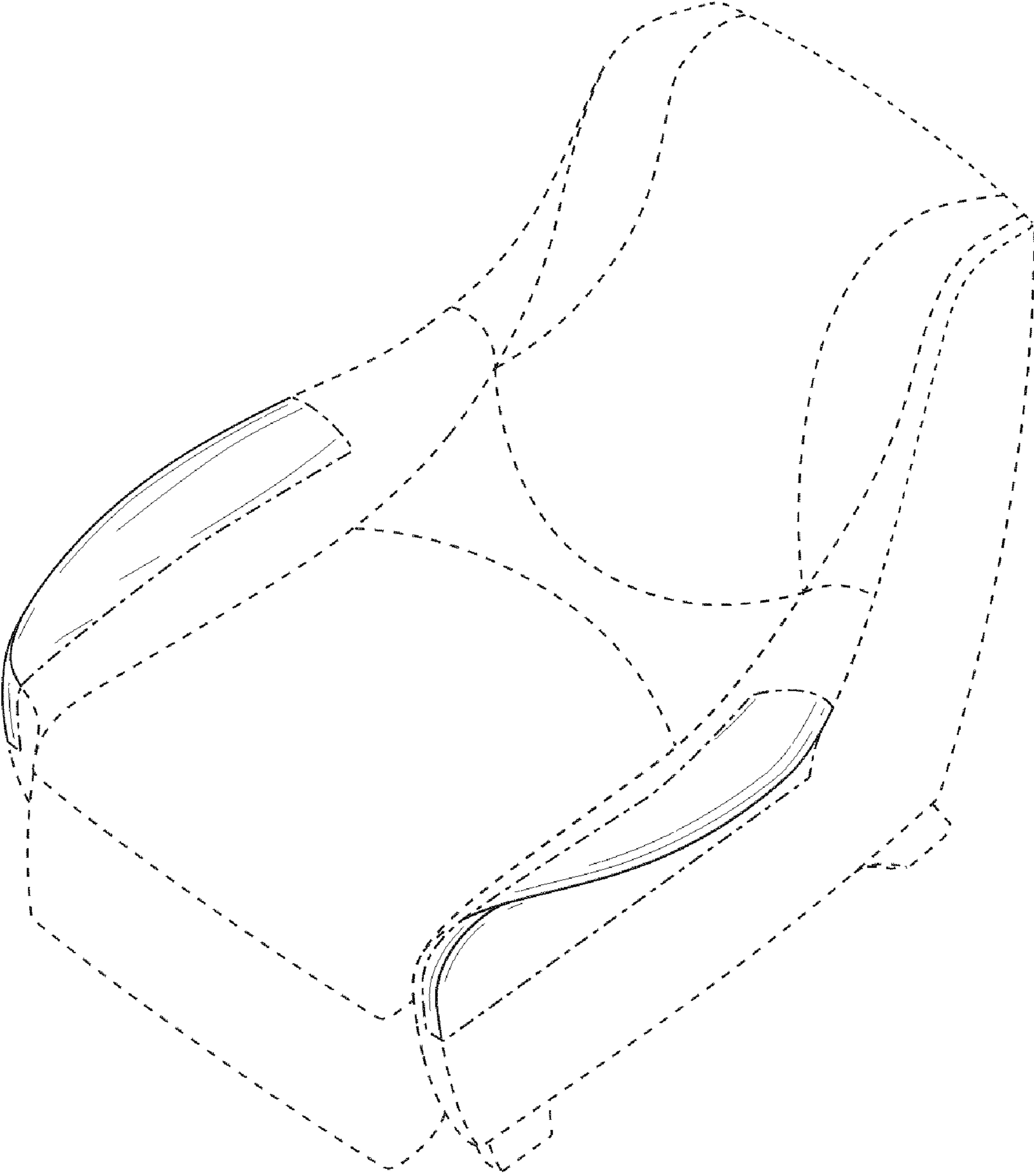


Fig.2

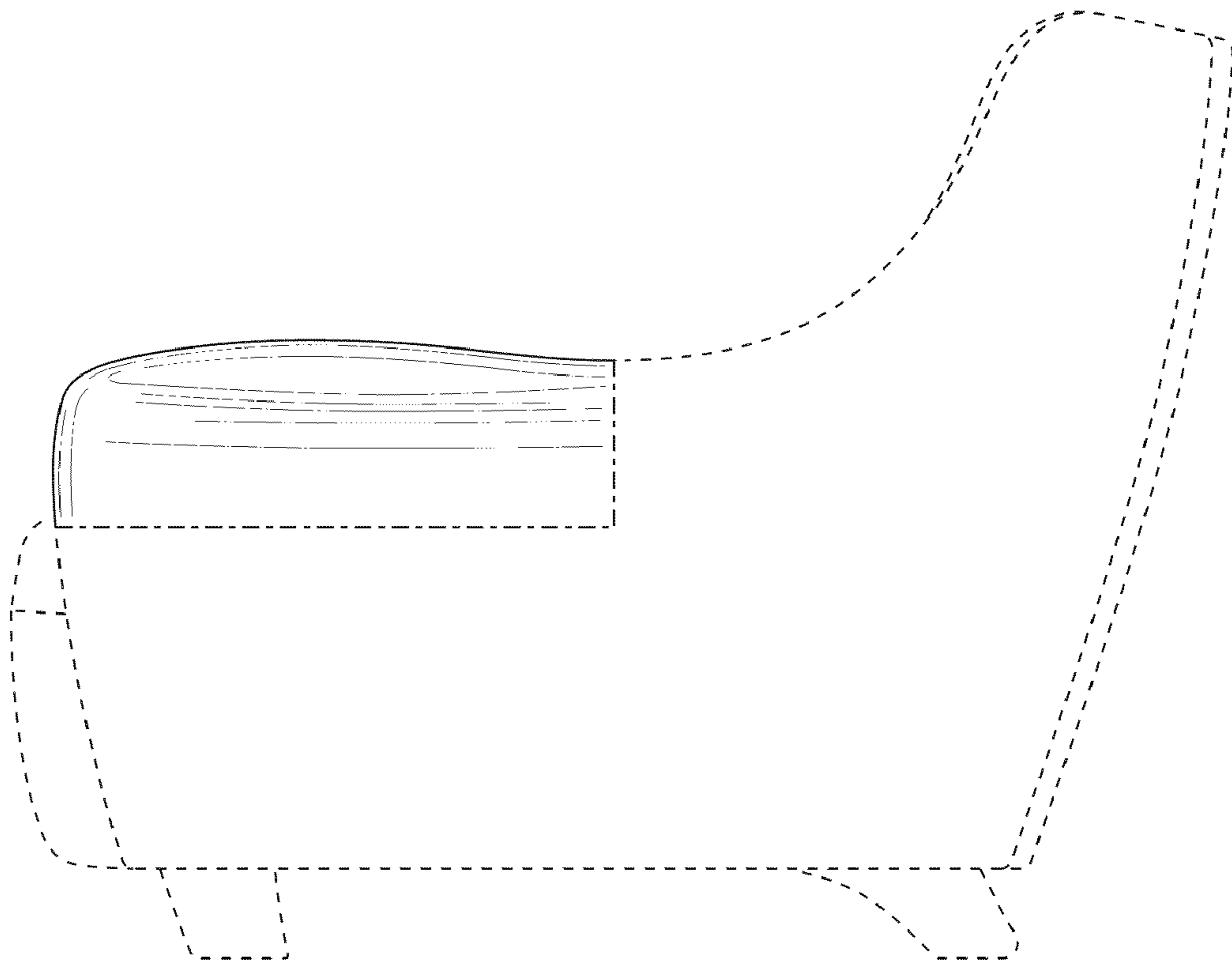


Fig.3

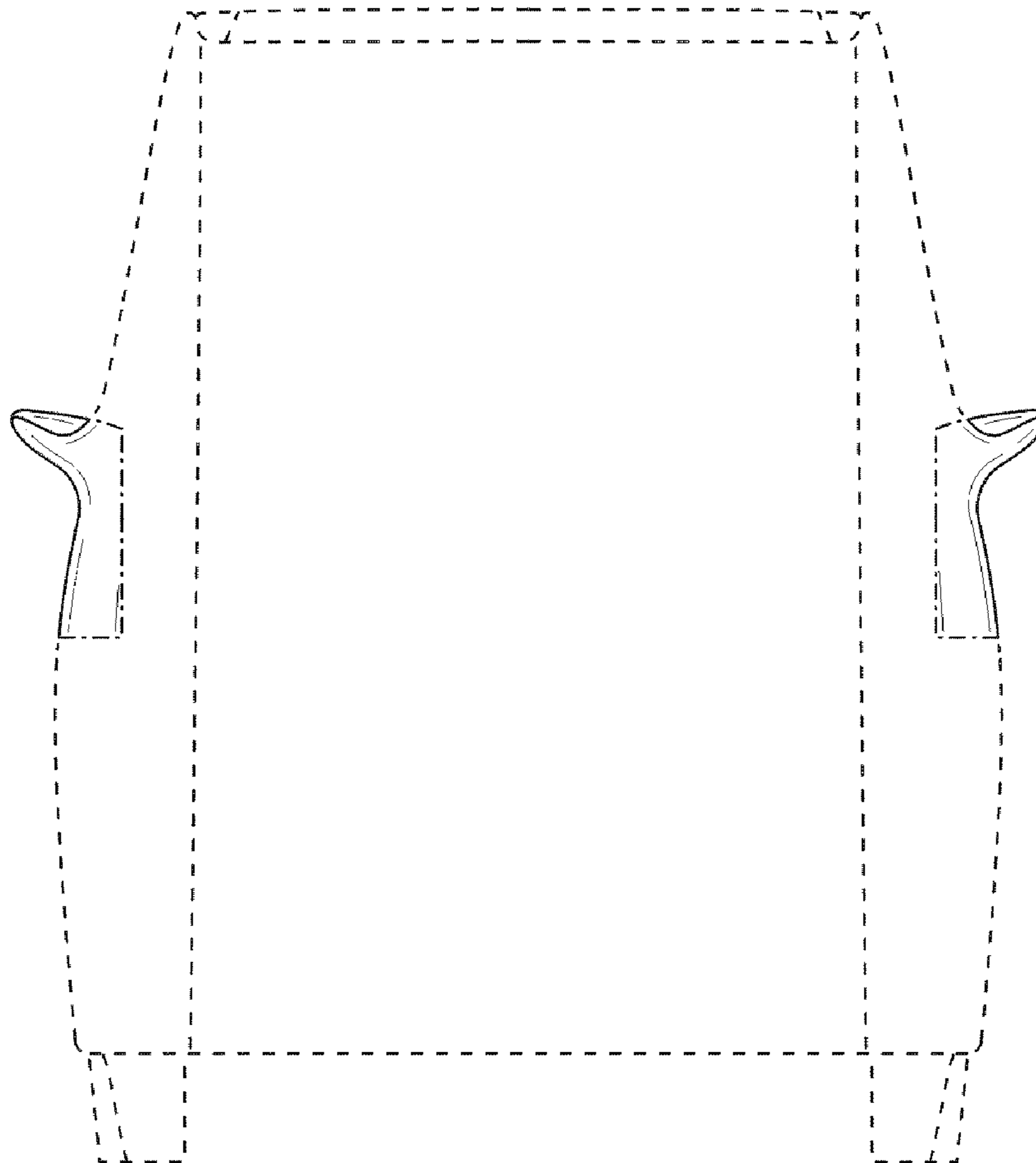


Fig.4

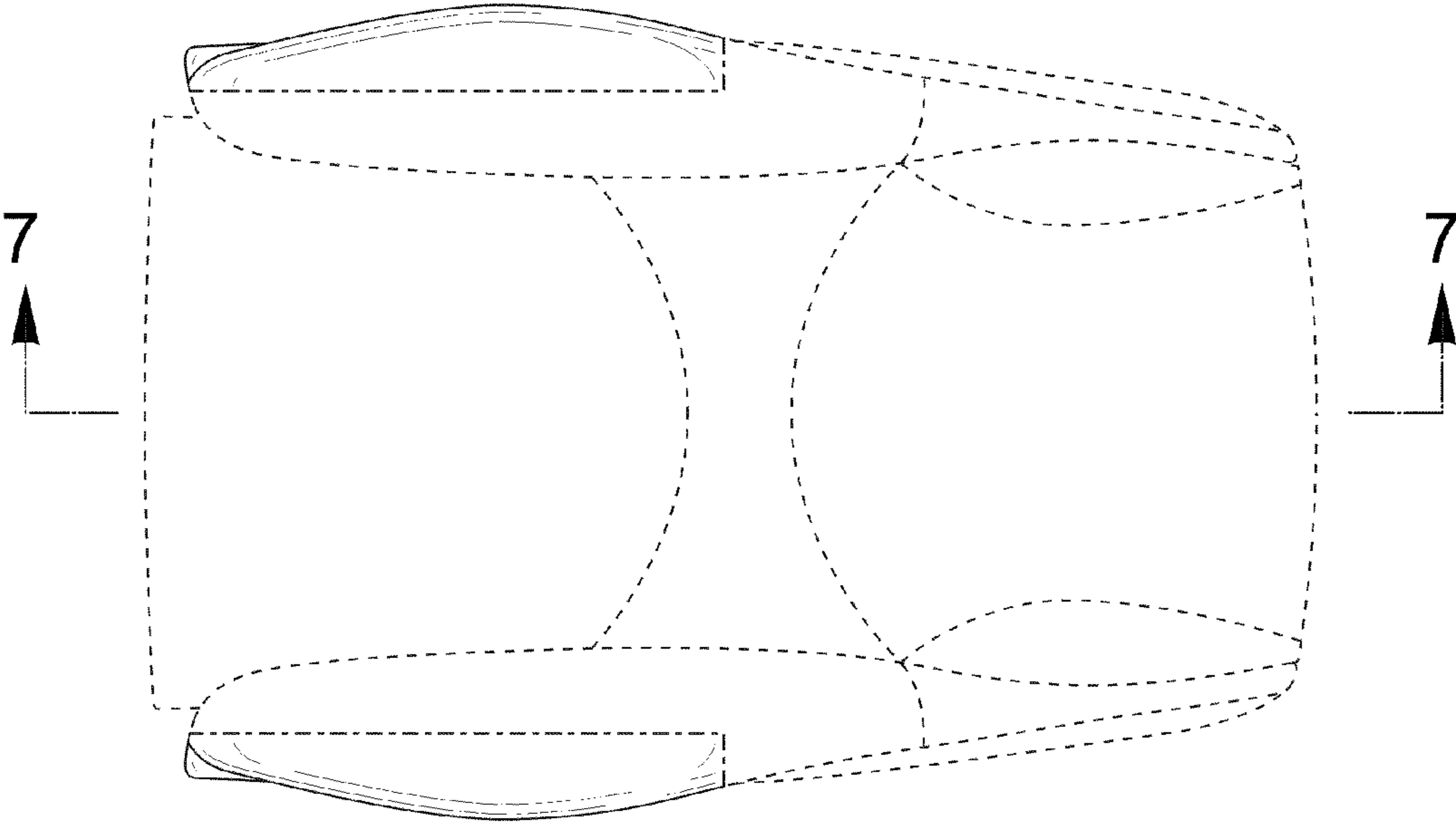


Fig.5

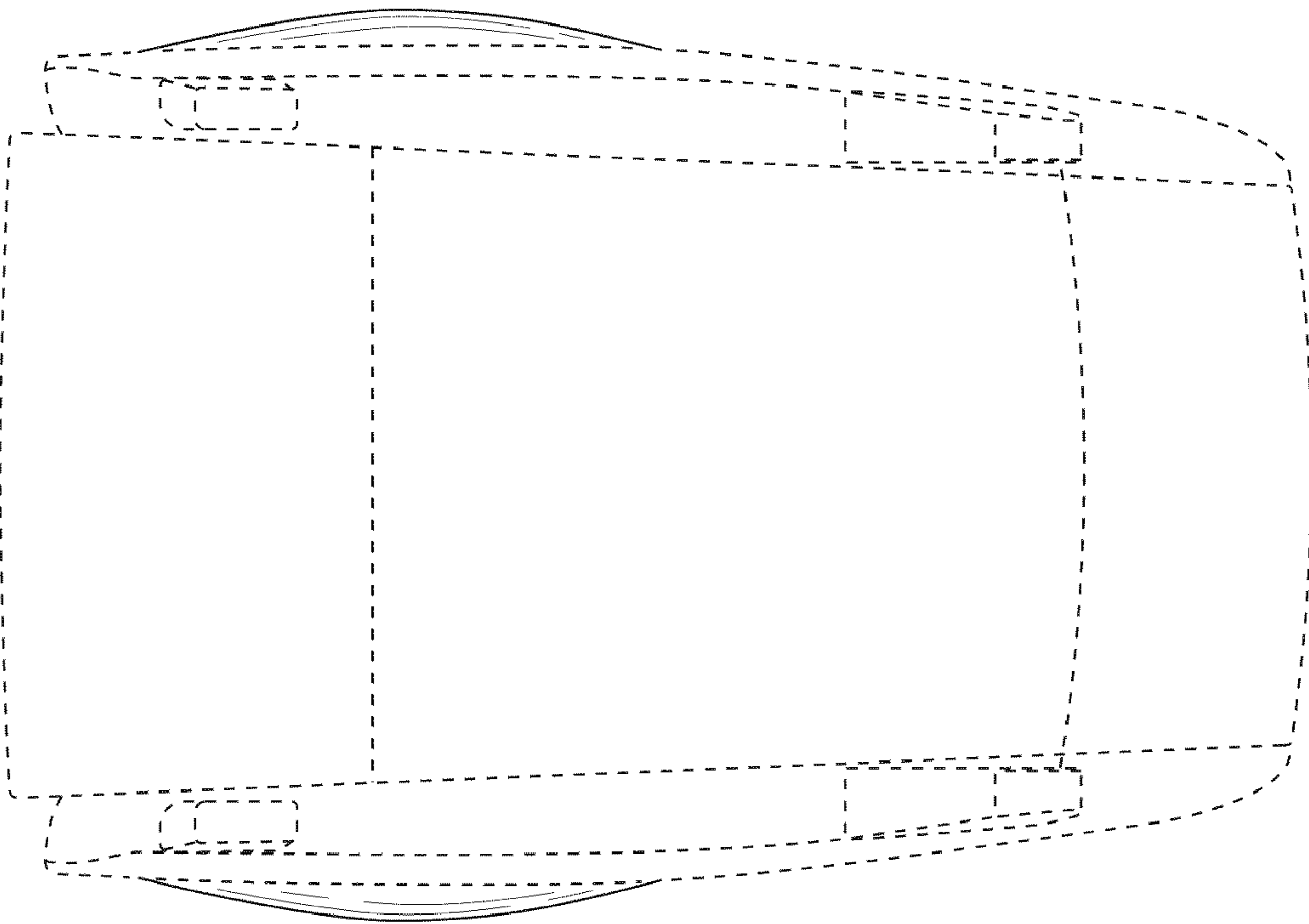


Fig.6

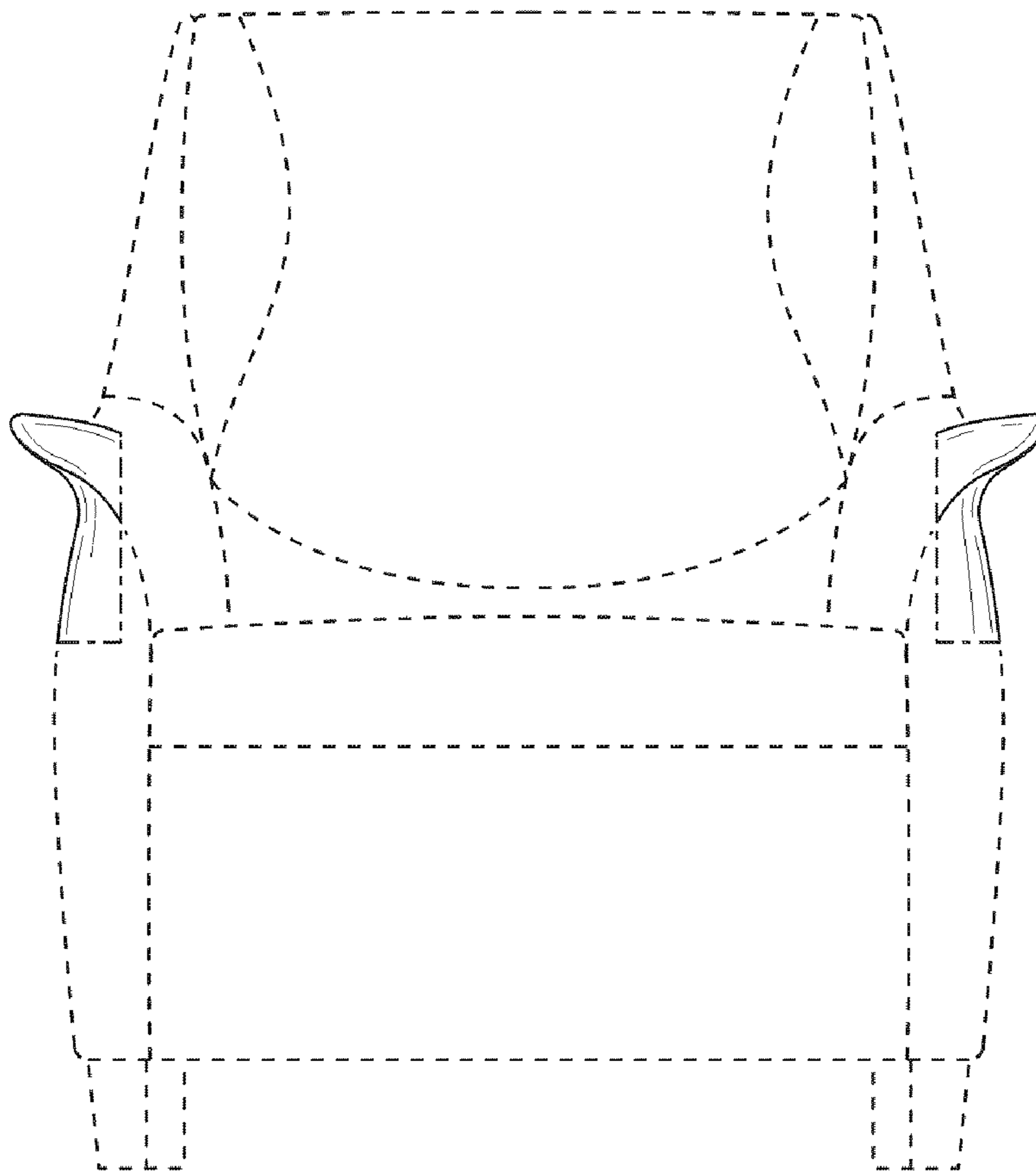


Fig.7

