



US00D637016S

(12) **United States Design Patent**
Pohl

(10) **Patent No.:** **US D637,016 S**

(45) **Date of Patent:** **** *May 3, 2011**

(54) **DISPLAY STAND**

(75) Inventor: **Axel Pohl**, Berlin (DE)

(73) Assignee: **Hartley & Marks Publishers, Inc.**,
Vancouver, BC (CA)

(*) Notice: This patent is subject to a terminal disclaimer.

(**) Term: **14 Years**

(21) Appl. No.: **29/365,558**

(22) Filed: **Jul. 9, 2010**

(51) **LOC (9) Cl.** **06-04**

(52) **U.S. Cl.** **D6/468**

(58) **Field of Classification Search** D6/396,
D6/407, 449, 450, 454-463, 470, 471, 473,
D6/474, 566; 108/28, 31, 32; 211/1, 13.1,
211/41.1, 50, 86.01, 134, 153, 195; 248/441.1,
248/459

See application file for complete search history.

(56) **References Cited**

U.S. PATENT DOCUMENTS

201,450 A	3/1878	Reynolds
D11,686 S	3/1880	Balnbaridge
273,886 A	3/1883	Pester
467,621 A	1/1892	Mets
560,034 A	5/1896	Honey
673,387 A	5/1901	Dean
941,525 A	11/1909	Landenberger
1,023,834 A	4/1912	Garels
1,322,796 A	11/1919	Kissel
1,592,506 A	7/1926	Richie
1,819,937 A	8/1931	Williams
1,839,758 A	1/1932	Hasek
1,979,475 A	11/1934	Kneltles
D118,491 S	1/1940	Bach
2,287,149 A	6/1942	Tauber
D135,980 S	7/1943	Bach
D135,981 S	7/1943	Bach

2,354,782 A	8/1944	Stradling et al.
D187,321 S	2/1950	Mayer
2,529,000 A	11/1950	Cameron
2,533,590 A	12/1950	Kutik
D165,194 S *	11/1951	Schiffer D6/473
2,789,700 A *	4/1957	King et al. 108/32
D182,059 S	2/1958	Chase
2,964,227 A	12/1960	Goldsholl
3,010,571 A	11/1961	Transport
3,380,644 A	4/1968	D'Alesio
3,537,728 A	11/1970	Reese
3,717,366 A	2/1973	Decker
3,964,769 A	6/1976	Shatzkin
3,973,787 A	8/1976	Shaats et al.
4,019,758 A	4/1977	Heller et al.
D250,171 S	11/1978	Yoshimoto
4,289,330 A	9/1981	Wiermanski
4,296,945 A	10/1981	Pavlik

(Continued)

OTHER PUBLICATIONS

U.S. Appl. No. 29/253,057, filed Jan. 31, 2006, Bharma, Supriti.

(Continued)

Primary Examiner — Mary Ann Calabrese

(74) *Attorney, Agent, or Firm* — Wells St. John PS

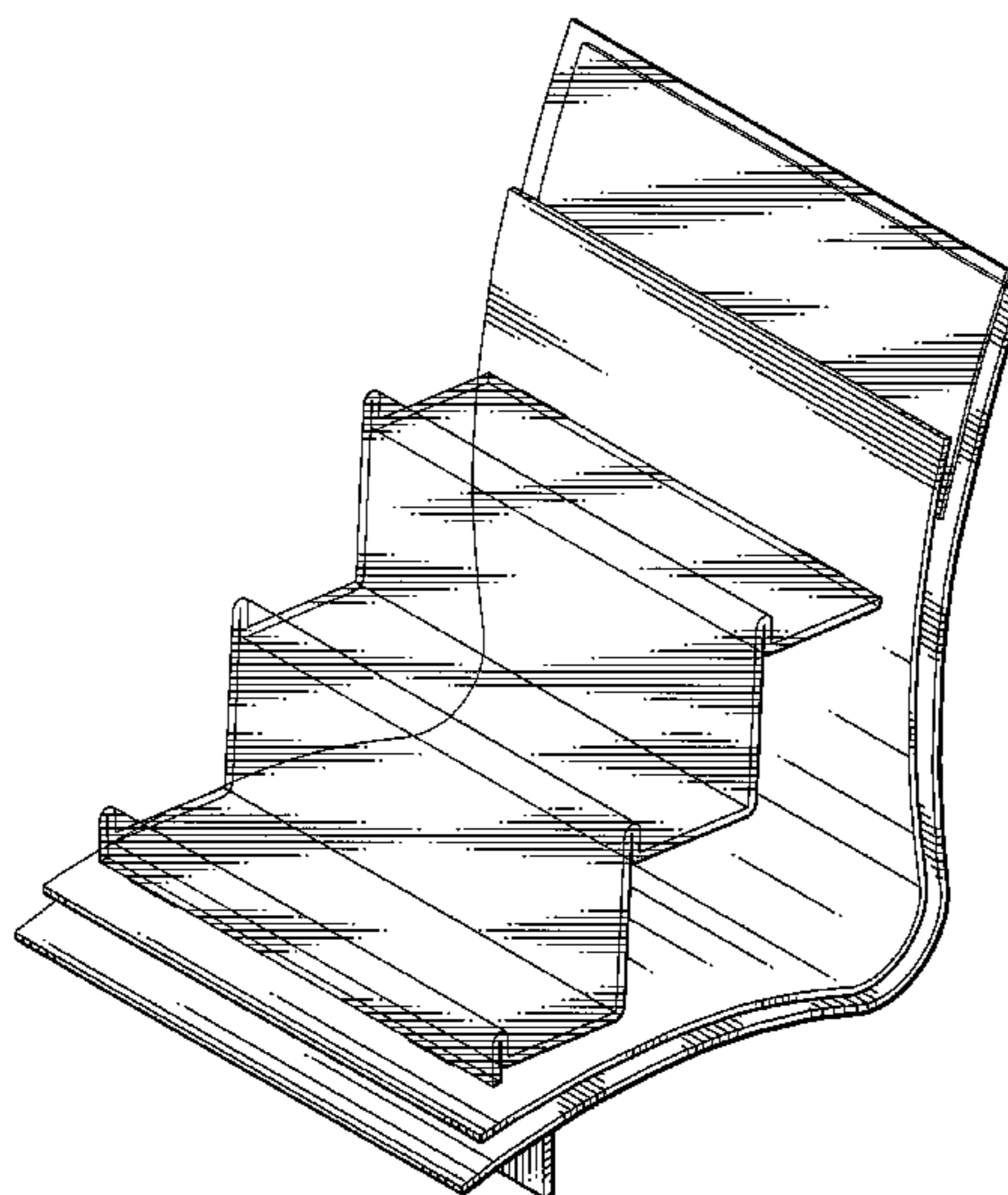
(57) **CLAIM**

I claim the ornamental design for a display stand, as shown and described.

DESCRIPTION

FIG. 1 is a perspective view for a display stand;
FIG. 2 is a side elevational view thereof;
FIG. 3 is a side elevational view, opposite the FIG. 2 side view, thereof;
FIG. 4 is a front elevational view thereof;
FIG. 5 is a rear elevational view thereof;
FIG. 6 is a top plan view thereof; and,
FIG. 7 is a bottom plan view thereof.

1 Claim, 7 Drawing Sheets



US D637,016 S

Page 2

U.S. PATENT DOCUMENTS

4,484,768	A	11/1984	Norfleet		D465,331	S	11/2002	Shapiro
4,606,689	A	8/1986	Wilholm		D467,079	S	12/2002	Willows et al.
4,637,631	A	1/1987	Baer		D467,966	S	12/2002	Lepisto
4,650,216	A	3/1987	Carlson		D470,173	S	2/2003	Berger
4,730,972	A	3/1988	Sun et al.		6,514,028	B2	2/2003	Yeoman
4,749,121	A	6/1988	Barber et al.		D473,462	S	4/2003	Green et al.
D300,688	S *	4/1989	Marks		D474,966	S	5/2003	Schrem et al.
D302,698	S *	8/1989	Rexroat et al.		D476,032	S	6/2003	Marchland
D304,343	S *	10/1989	Popat et al.		D477,634	S	7/2003	Malome
D308,225	S *	5/1990	Dressler		D481,074	S	10/2003	Shapiro et al.
4,932,520	A	6/1990	Ciarcia et al.		6,681,929	B2	1/2004	Bergh et al.
D309,325	S *	7/1990	Halls		D489,255	S	5/2004	Kratzert et al.
4,940,352	A	7/1990	Kratzert et al.		6,776,437	B1	8/2004	Ho
D316,108	S *	4/1991	Gerriet		D496,195	S *	9/2004	Campbell et al. D6/471
D323,937	S *	2/1992	Solomon		D496,271	S	9/2004	Hoeltgen
5,106,047	A *	4/1992	Baer 248/459		D499,761	S	12/2004	Walley et al.
D330,115	S *	10/1992	O'Brien		D502,502	S	3/2005	Brann
5,213,368	A	5/1993	Wyant		D503,195	S	3/2005	de la Rosa Luna Parra
D340,355	S *	10/1993	Little		D504,463	S	4/2005	Wehmeyer
5,308,208	A	5/1994	Ranson		D513,038	S	12/2005	Ong
5,358,208	A *	10/1994	Moseley et al. 248/441.1		6,974,158	B1	12/2005	Westcott, Jr.
D356,454	S *	3/1995	Harris D6/407		D513,584	S	1/2006	Solowiejko
D358,839	S *	5/1995	Lipic		D513,869	S	1/2006	Hunter et al.
5,411,145	A *	5/1995	Parks 211/50		D519,832	S	5/2006	Demathieu et al.
5,413,430	A	5/1995	Schrem et al.		D520,057	S	5/2006	Hamel
D369,182	S *	4/1996	Walli, Jr.		D521,072	S	5/2006	Hough et al.
D369,239	S *	4/1996	Deutch		D523,078	S	6/2006	Ong
D370,691	S *	6/1996	Benn		D524,574	S *	7/2006	Benson D6/470
5,529,418	A	6/1996	Alotta		7,100,765	B2	9/2006	Collins, IV
5,553,959	A	9/1996	Feldman et al.		D529,963	S	10/2006	Hough et al.
D378,531	S *	3/1997	Szikszay		D534,584	S	1/2007	Goldberg et al.
5,630,509	A	5/1997	Su		D536,376	S	2/2007	Wehmeyer
D379,896	S *	6/1997	Friedman		D544,030	S	6/2007	LaDue
5,667,064	A	9/1997	Bauman		D544,538	S	6/2007	Kesselring
D385,295	S *	10/1997	Oslecki		D545,362	S	6/2007	King et al.
D388,822	S *	1/1998	Frank		7,232,157	B2	6/2007	Amaral
5,716,181	A	2/1998	Ebel		D546,878	S	7/2007	Bharma
D394,385	S *	5/1998	Laughlin		D547,372	S	7/2007	Bharma
5,810,182	A *	9/1998	Levin 211/195		D547,373	S	7/2007	Serrato
5,934,487	A *	8/1999	Hoeg 211/50		D548,961	S	8/2007	Dohner
5,944,353	A	8/1999	Sato		D549,283	S	8/2007	Bharma
D413,725	S *	9/1999	Hartmann et al.		7,252,452	B2	8/2007	Africa et al.
6,017,062	A	1/2000	White		D550,770	S	9/2007	Bharma
D423,572	S *	4/2000	Tedaldi et al.		D557,739	S	12/2007	Bharma
6,045,285	A	4/2000	Friedman		D557,740	S	12/2007	Bharma
D426,262	S	6/2000	Humphrey		2003/0071454	A1	4/2003	Muchin et al.
6,095,740	A	8/2000	Hollenstein et al.		2004/0035720	A1	2/2004	Hsieh
6,164,461	A *	12/2000	Ward et al. 211/41.1		2004/0129198	A1	7/2004	Wu
D436,533	S	1/2001	Correll		2004/0168938	A1	9/2004	Bergh et al.
6,179,332	B1	1/2001	Funkhouser		2004/0253046	A1	12/2004	Africa et al.
D437,612	S	2/2001	Verdicchio		2005/0012016	A1	1/2005	Teucher
6,220,436	B1	4/2001	Chung		2005/0042021	A1	2/2005	McArthur
6,250,867	B1	6/2001	Gwyn et al.		2005/0269233	A1	12/2005	Alderidge
D444,703	S	7/2001	Allasia					
D447,689	S	9/2001	Navet et al.					
D449,927	S	11/2001	Dorizas					
D454,305	S	3/2002	Bryan et al.					
D454,495	S	3/2002	Bryan et al.					
D455,781	S	4/2002	Jobelius et al.					
6,409,447	B2	6/2002	Malmros					
6,419,416	B1	7/2002	Tomoda					
D463,487	S	9/2002	Savoy					

OTHER PUBLICATIONS

U.S. Appl. No. 29/253,103, filed Jan. 31, 2006, Bharma, Supriti.
 U.S. Appl. No. 29/253,105, filed Jan. 31, 2006, Bharma, Supriti.
 U.S. Appl. No. 29/263,252, filed Jul. 18, 2006, Bharma, Supriti.
 U.S. Appl. No. 29/264,146, filed Aug. 2, 2006, Bharma, Supriti.
 U.S. Appl. No. 29/266,789, filed Sep. 27, 2006, Bharma, Supriti.

* cited by examiner

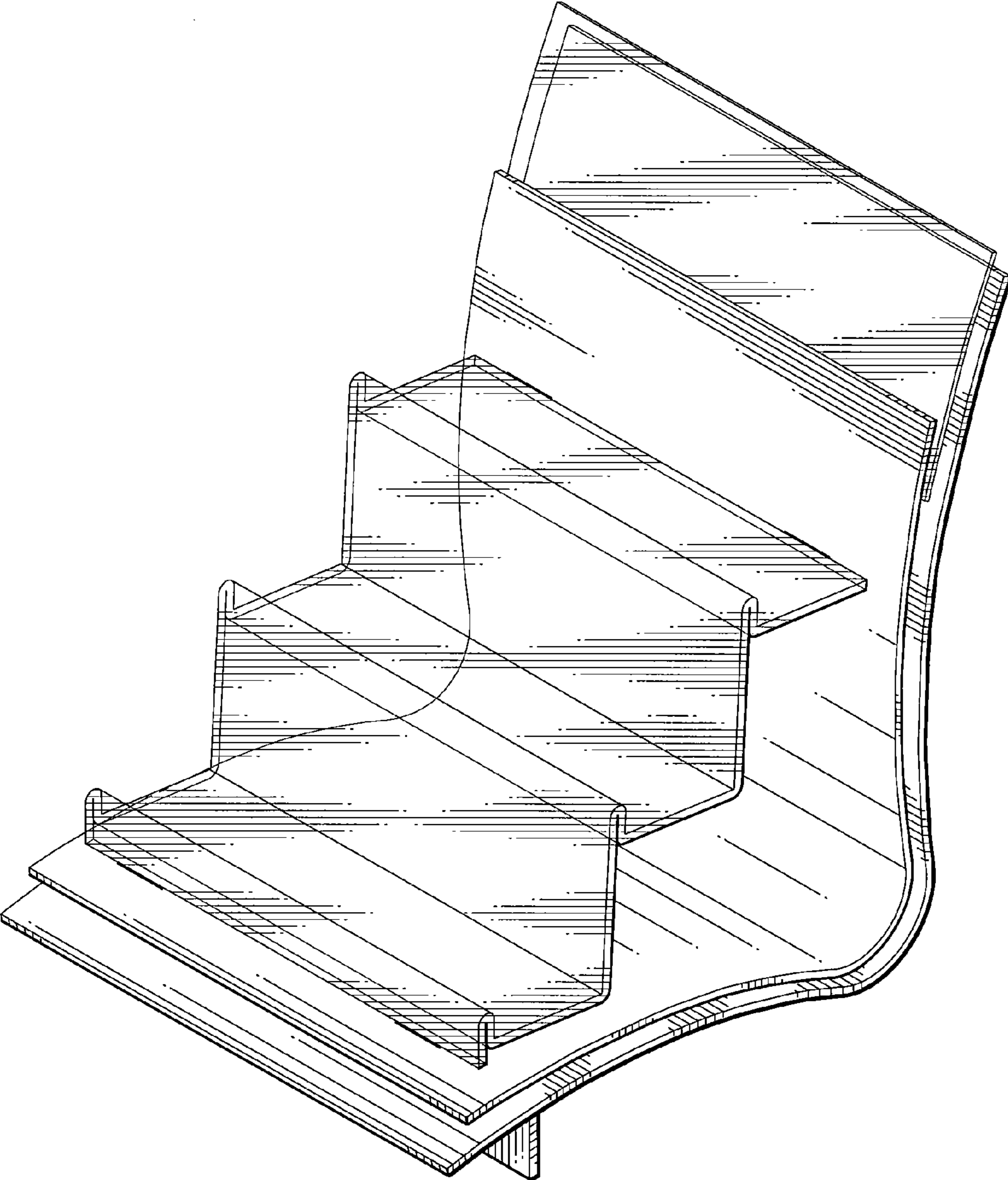


FIG. 1

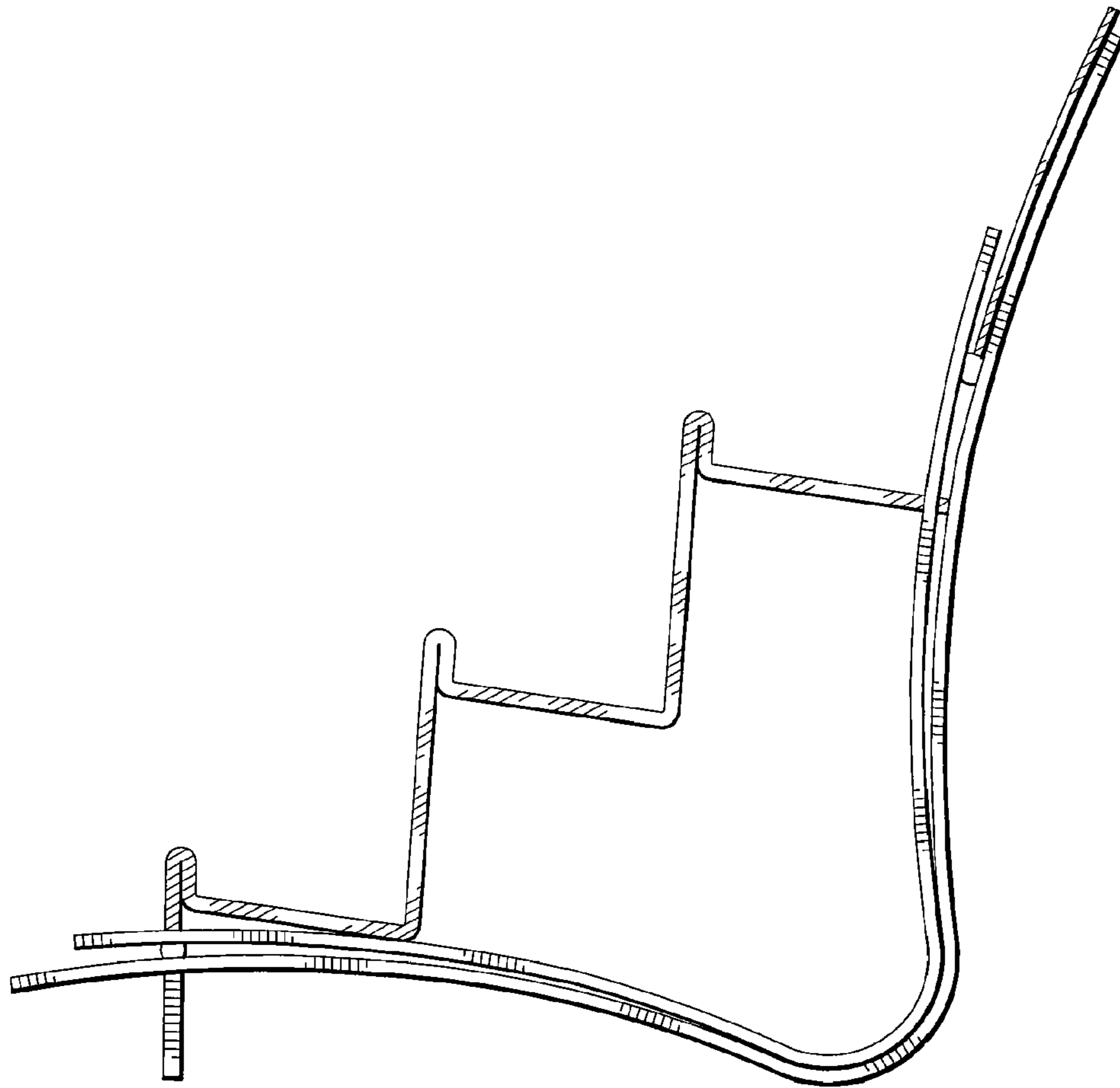


FIG. 2

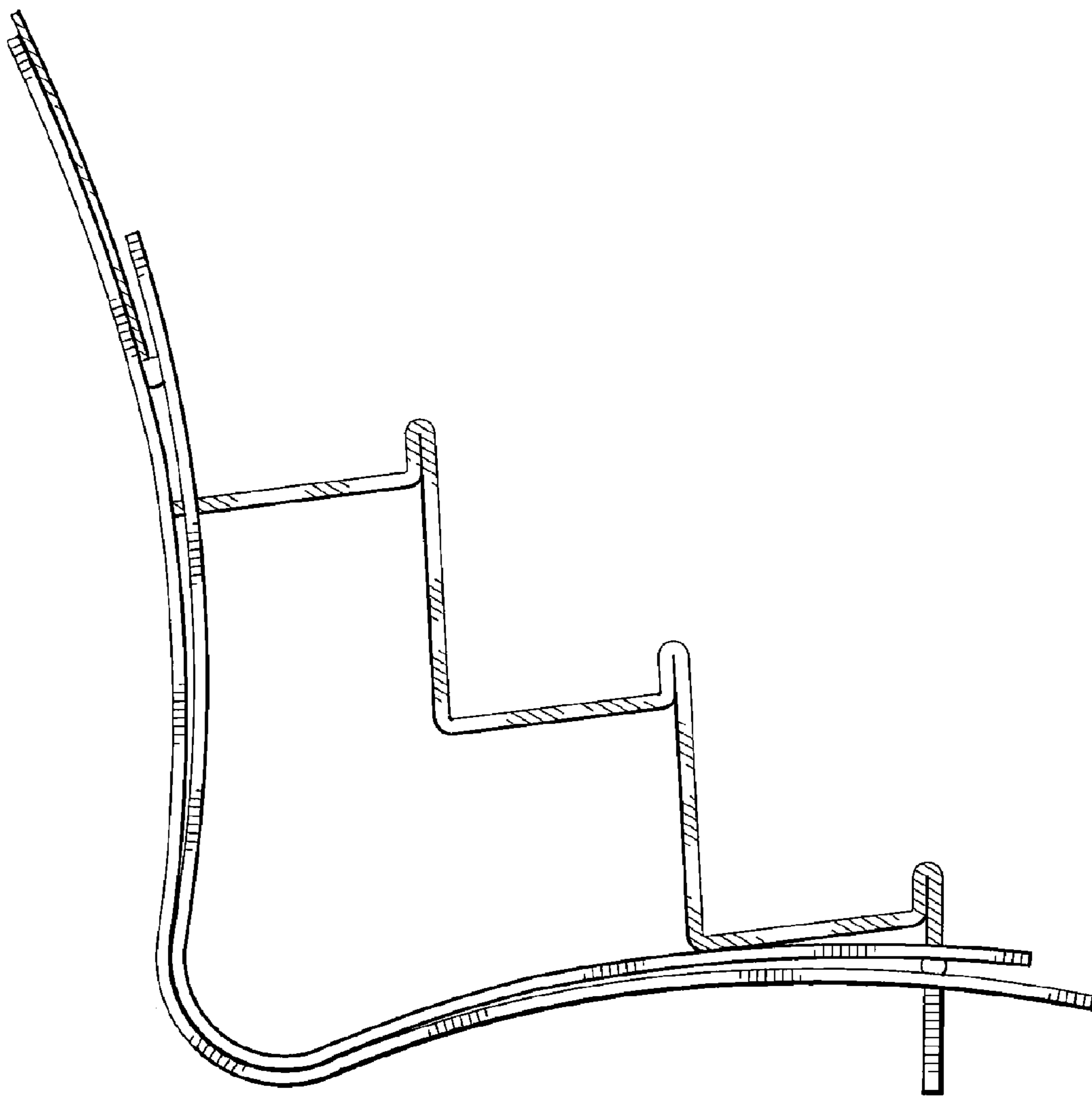


FIG. 3

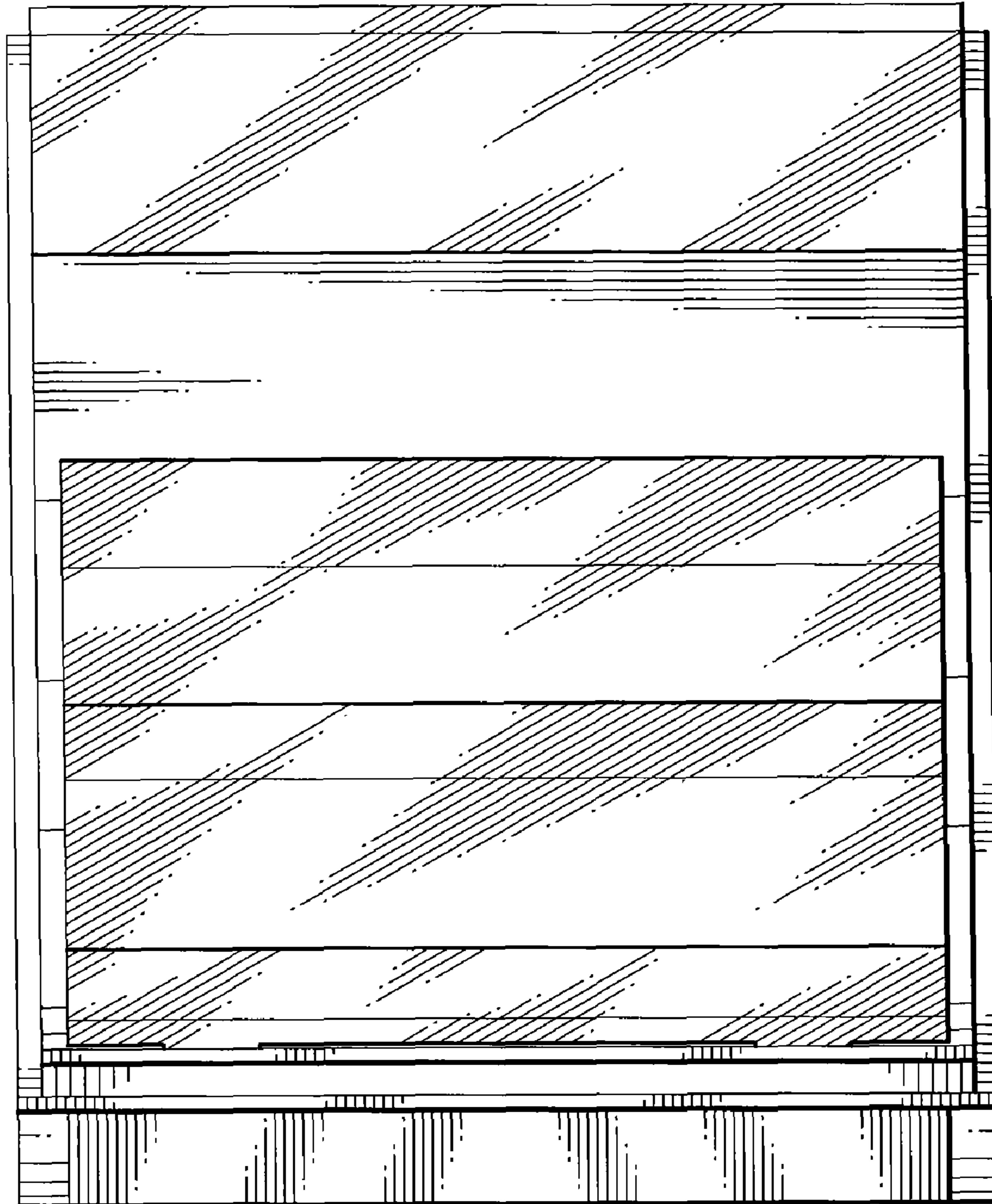


FIG. 4

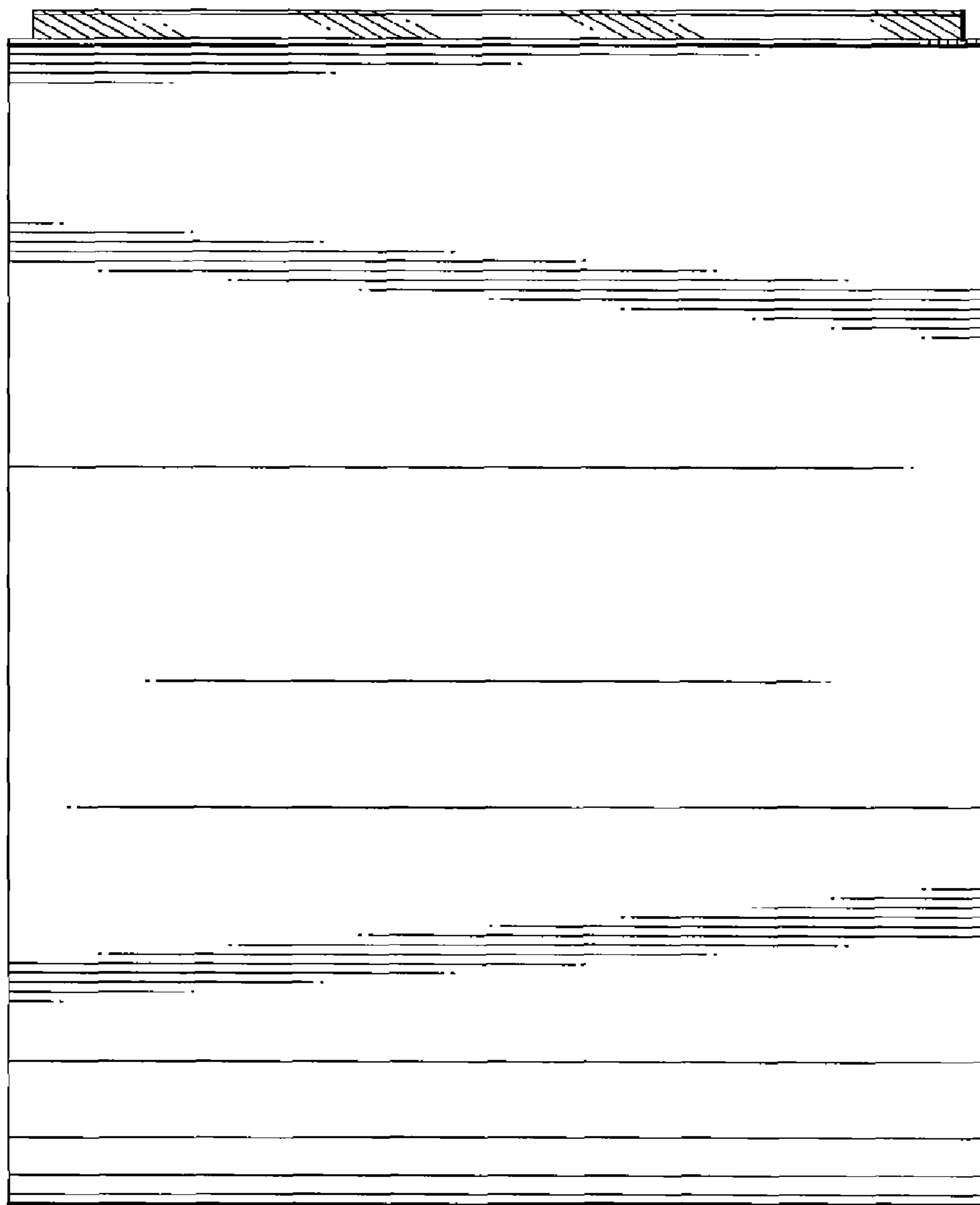


Fig. 5

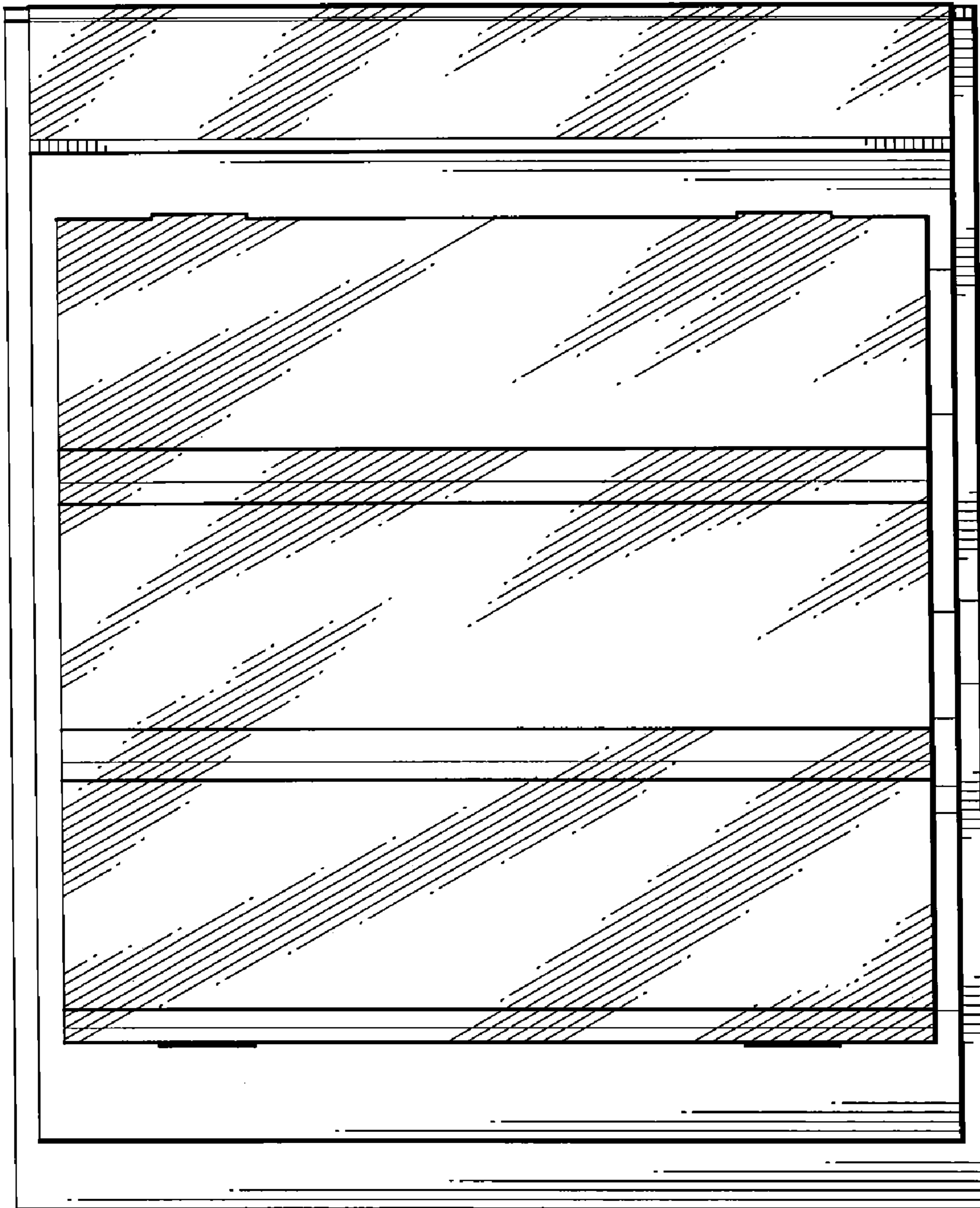


FIG. 6

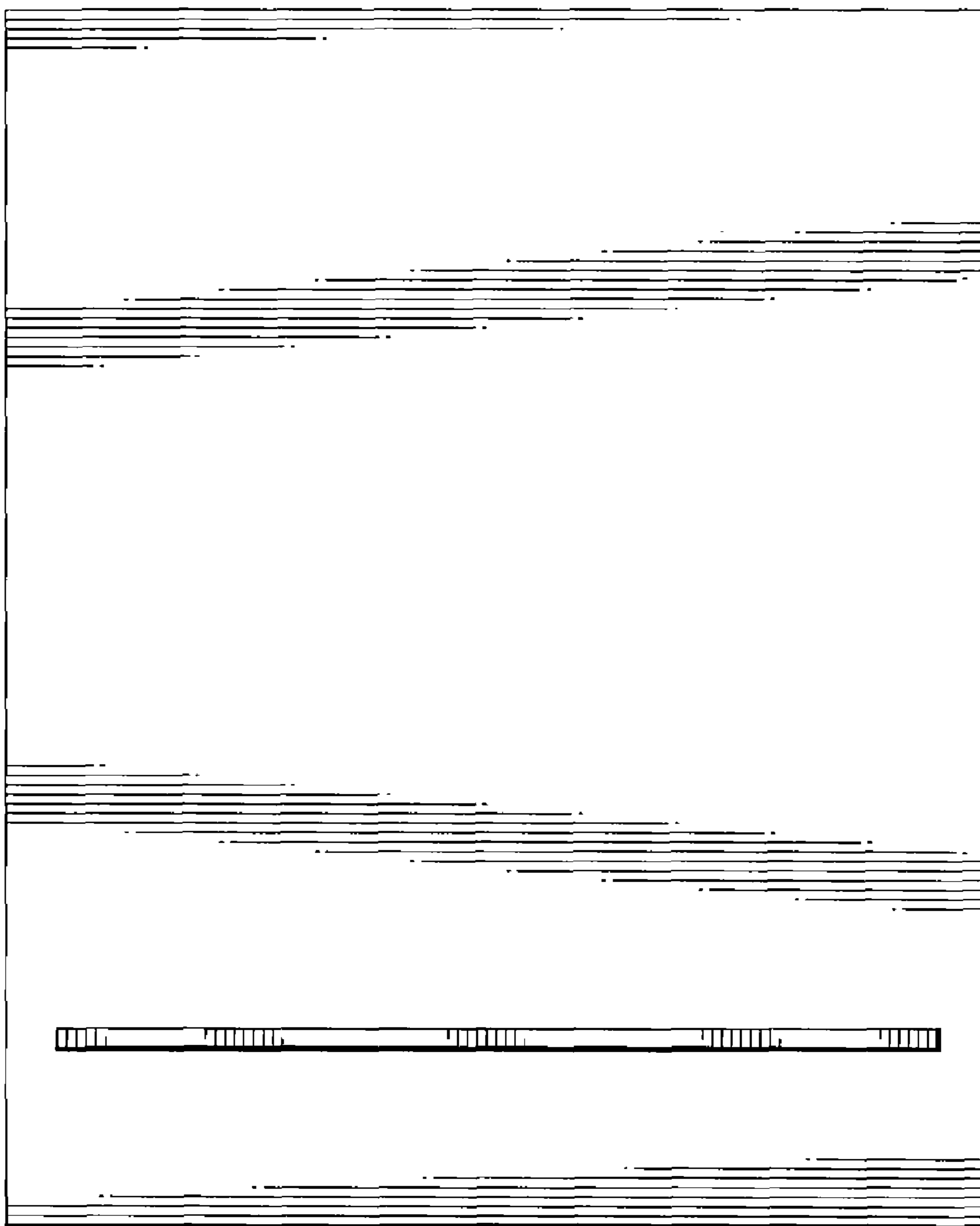


Figure 7

UNITED STATES PATENT AND TRADEMARK OFFICE
CERTIFICATE OF CORRECTION

PATENT NO. : D637,016 S
APPLICATION NO. : 29/365558
DATED : May 3, 2011
INVENTOR(S) : Axel Pohl

Page 1 of 1

It is certified that error appears in the above-identified patent and that said Letters Patent is hereby corrected as shown below:

Title page, item (56) References Cited – Replace “467,621 A 1/1892 Mets”
with --467,821 A 1/1892 Mets--

Title page, item (57) Claim – Replace “stand, an as shown” with --stand as shown--

Signed and Sealed this
Twelfth Day of February, 2013



Teresa Stanek Rea
Acting Director of the United States Patent and Trademark Office