



US00D637015S

(12) **United States Design Patent**
Rogers

(10) **Patent No.:** **US D637,015 S**

(45) **Date of Patent:** **** May 3, 2011**

(54) **ADJUSTABLE SUPPORT FRAME**

(76) Inventor: **Duke V. Rogers**, Meridian, ID (US)

(**) Term: **14 Years**

(21) Appl. No.: **29/364,145**

(22) Filed: **Jun. 18, 2010**

Related U.S. Application Data

(63) Continuation-in-part of application No. 12/122,909, filed on May 19, 2008, now abandoned.

(51) **LOC (9) Cl.** **06-04**

(52) **U.S. Cl.** **D6/462**

(58) **Field of Classification Search** D6/396,
D6/411, 449-469, 473, 474, 477, 479, 606,
D6/607; 5/503.1, 504.1, 505.1; 211/1, 13.1,
211/40, 42, 43, 49.1, 50, 52, 53, 55, 56, 58,
211/60.1, 70.3, 85.2, 85.8, 123, 181.1, 182,
211/189

See application file for complete search history.

(56) **References Cited**

U.S. PATENT DOCUMENTS

802,610	A	10/1905	Tuttle	
998,996	A	7/1911	Swenson	
1,072,490	A *	9/1913	Oilar	5/505.1
1,175,526	A	3/1916	Jones	
1,577,089	A	3/1926	Whitford	
1,577,825	A	3/1926	Jeness	
1,741,361	A	12/1929	Doyle	
2,106,834	A	2/1938	Ewald	
2,112,122	A	3/1938	Sullivan	
2,210,255	A	8/1940	Peevey	
2,235,191	A	3/1941	Arnould	
2,244,310	A	6/1941	Murphy	
2,291,203	A	7/1942	Bent	
2,300,898	A	11/1942	Allen	

(Continued)

Primary Examiner — Mary Ann Calabrese

(74) *Attorney, Agent, or Firm* — Pedersen and Company, PLLC; Ken J. Pedersen; Barbara S. Pedersen

(57) **CLAIM**

The ornamental design for an adjustable support frame, as shown and described.

DESCRIPTION

FIG. 1 is a front-left perspective view of the invented design for an adjustable support frame, wherein dashed lines show a bed as background that is not part of the invented design.

FIG. 2 is a front-left perspective view of the adjustable support frame of FIG. 1.

FIG. 3 is a top view of the adjustable support frame of FIG. 1.

FIG. 4 is a front view of the adjustable support frame of FIG. 1.

FIG. 5 is a bottom view of the adjustable support frame of FIG. 1.

FIG. 6 is a rear view of the adjustable support frame of FIG. 1.

FIG. 7 is a left end view of the adjustable support frame of FIG. 1.

FIG. 8 is a right end view of the adjustable support frame of FIG. 1.

FIG. 9 is a front-left perspective view of the adjustable support frame of FIG. 1, with the upper portion adjusted to an increased width.

FIG. 10 is a front-left perspective view of an adjustable support frame, according to an alternate embodiment the invented design, that features adjustment knobs lower on the leg structure and apertures on the bottom of each foot.

FIG. 11 is a top view of the adjustable support frame of FIG. 10.

FIG. 12 is a front view of the adjustable support frame of FIG. 10.

FIG. 13 is a bottom view of the adjustable support frame of FIG. 10.

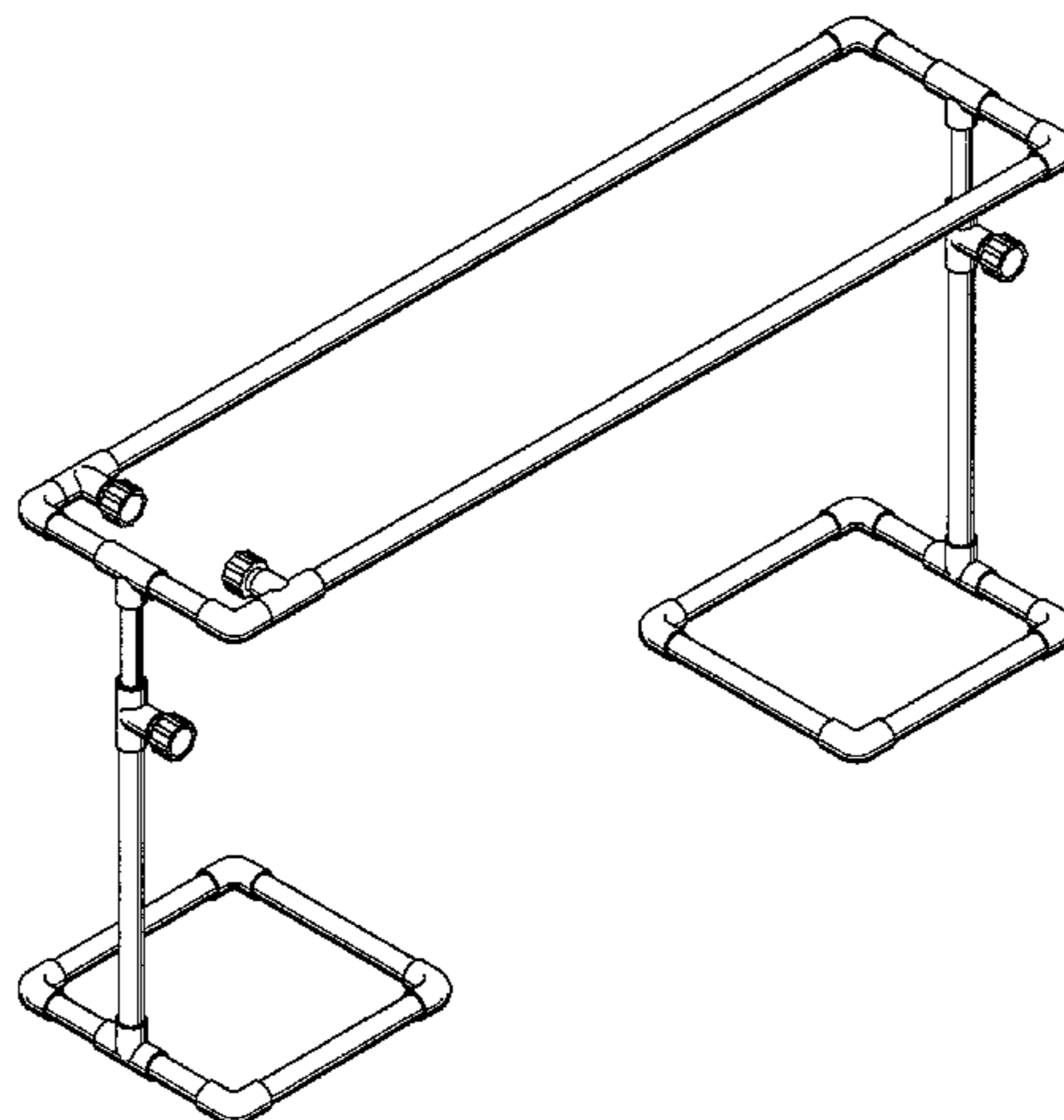
FIG. 14 is a rear view of the adjustable support frame of FIG. 10.

FIG. 15 is a left end view of the adjustable support frame of FIG. 10.

FIG. 16 is a right end view of the adjustable support frame of FIG. 10; and,

FIG. 17 is a front perspective view of the adjustable support frame of FIG. 10, with the upper portion lowered relative to the feet of the adjustable support frame and wherein portions of the legs protrude down through the bottom apertures of the feet.

1 Claim, 13 Drawing Sheets



US D637,015 S

Page 2

U.S. PATENT DOCUMENTS			
2,401,999	A	6/1946	Wolfe
D149,816	S *	6/1948	Ivelow D6/411
2,598,295	A	5/1952	Pelton
2,602,171	A	7/1952	Good
2,611,139	A	9/1952	Ecklund
2,642,589	A	6/1953	Cobb
2,668,963	A	2/1954	Drake
3,317,932	A	5/1967	Gibbons, Sr.
3,713,182	A	1/1973	McNeal
4,287,622	A	9/1981	Lane
4,561,549	A	12/1985	Yokohori
4,841,589	A	6/1989	Moore
5,329,658	A	7/1994	Fontenot
5,438,720	A	8/1995	Daneshvar
5,881,406	A	3/1999	Cobb
6,240,581	B1	6/2001	Pender
6,834,403	B1	12/2004	Elliott
6,895,615	B2	5/2005	Dilascio
6,901,616	B1 *	6/2005	Warrington et al. 5/505.1
6,935,992	B2	8/2005	Gehrke
7,137,159	B1	11/2006	Choate
7,617,552	B2 *	11/2009	Strickland 5/505.1
D620,279	S *	7/2010	Lebon, III D6/462
2003/0229942	A1	12/2003	Dilascio
2005/0273931	A1	12/2005	Edwards
2006/0248647	A1	11/2006	Huber
2008/0276375	A1	11/2008	Gehrke
2008/0295247	A1	12/2008	Rogers

* cited by examiner

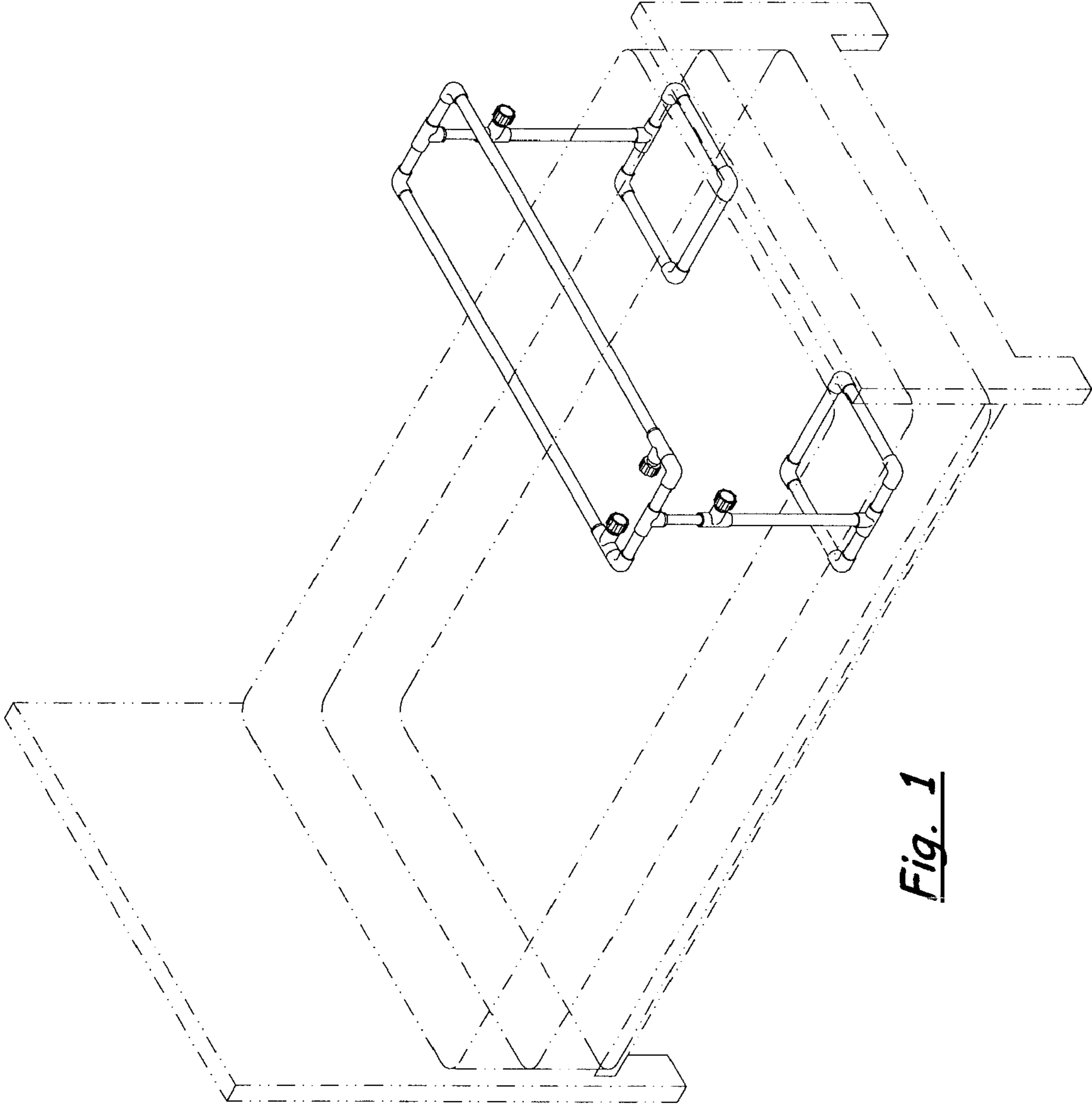


Fig. 1

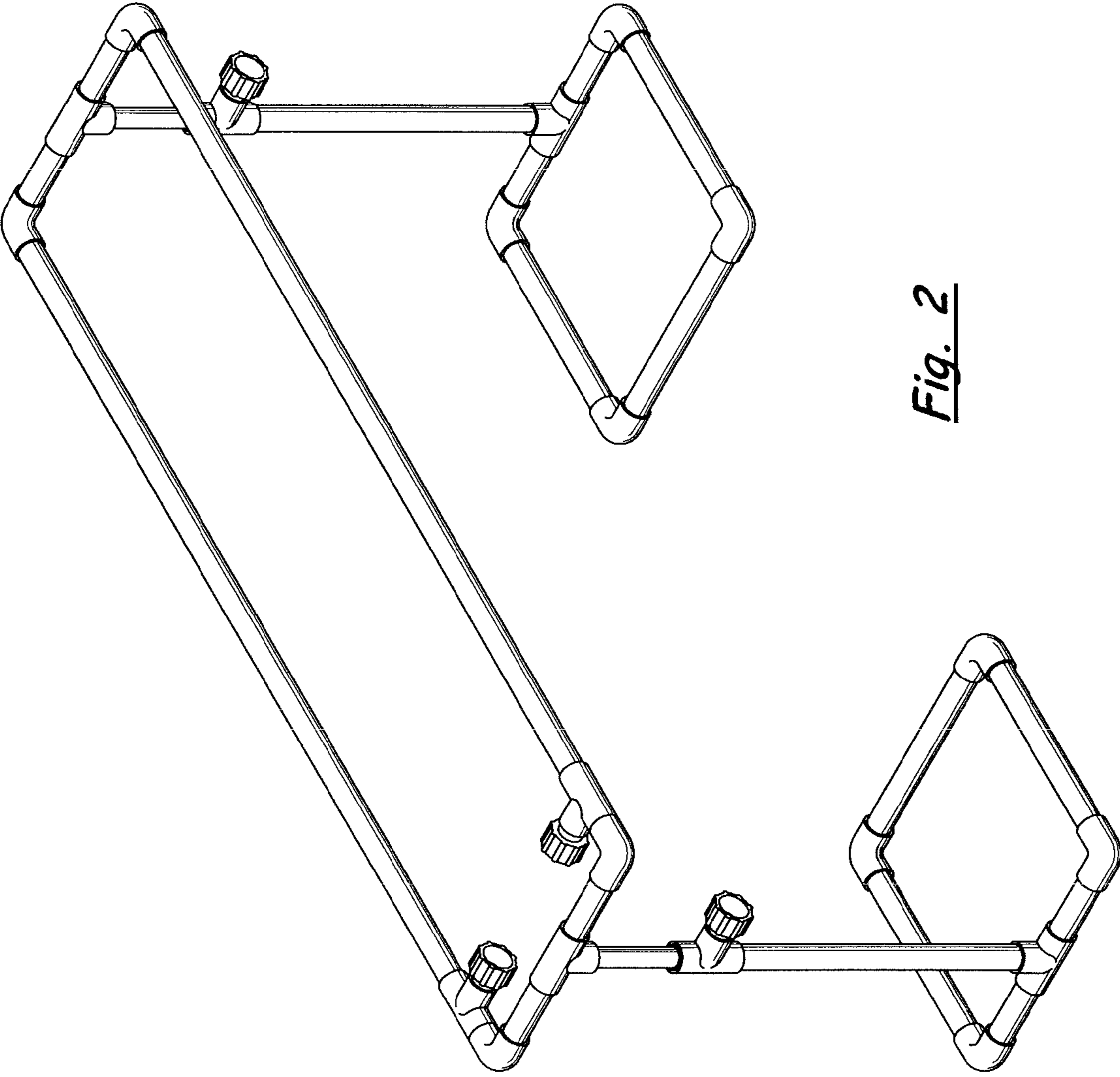


Fig. 2

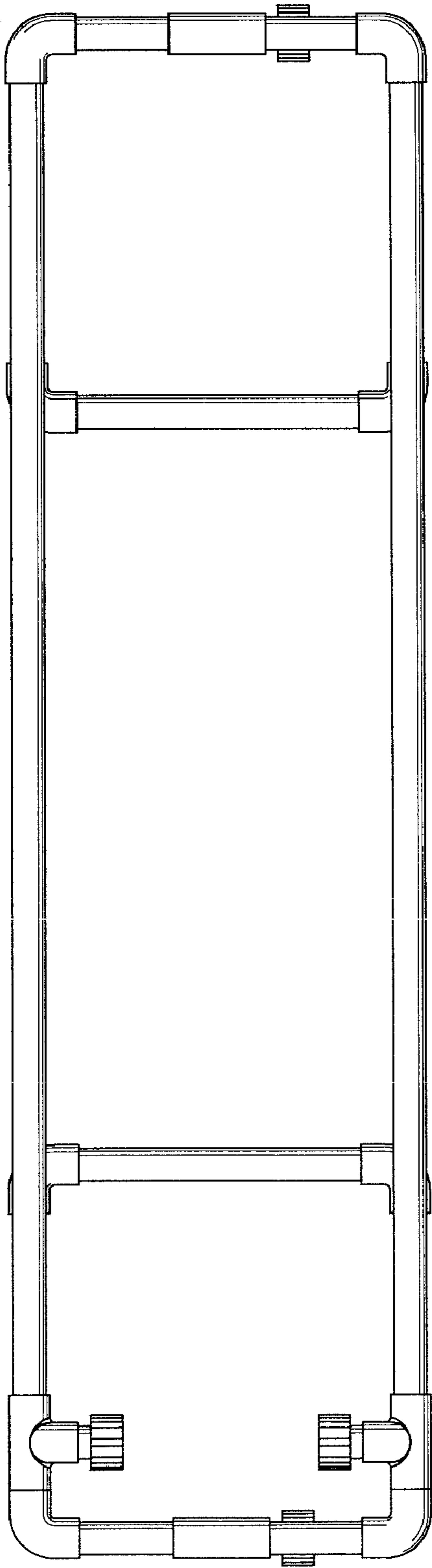


Fig. 3

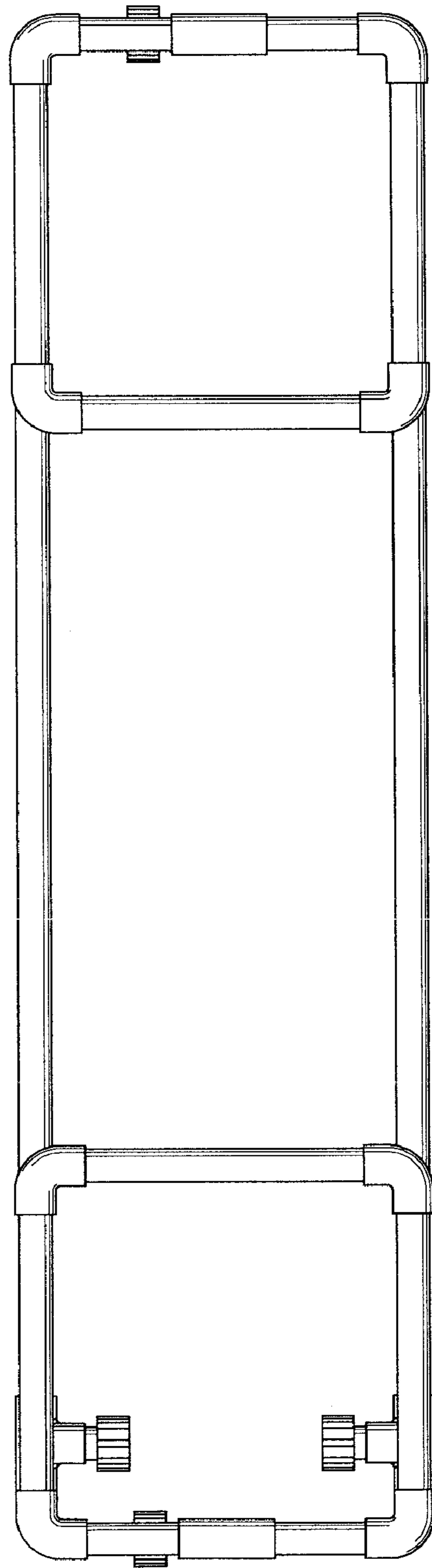


Fig. 5

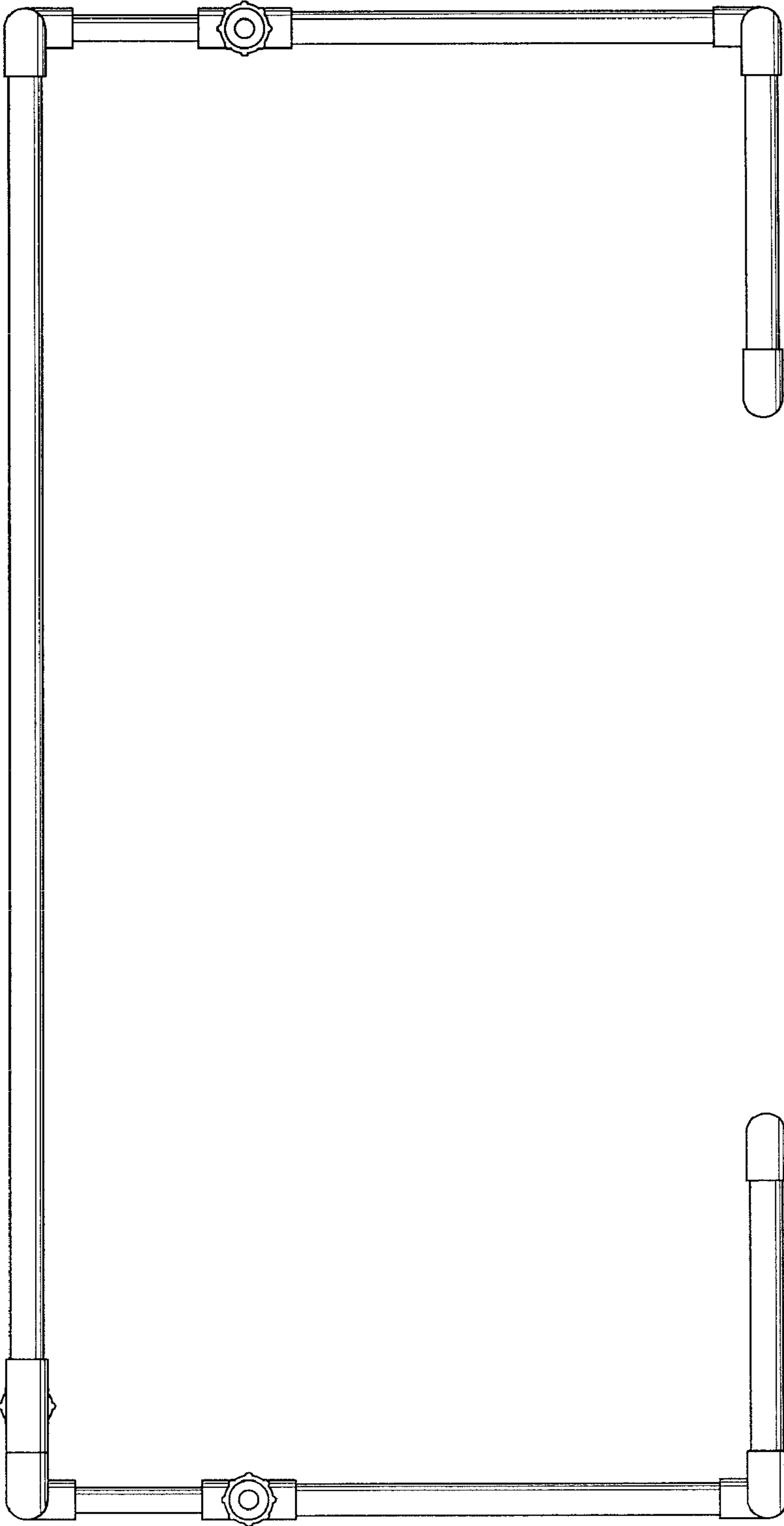


Fig. 4

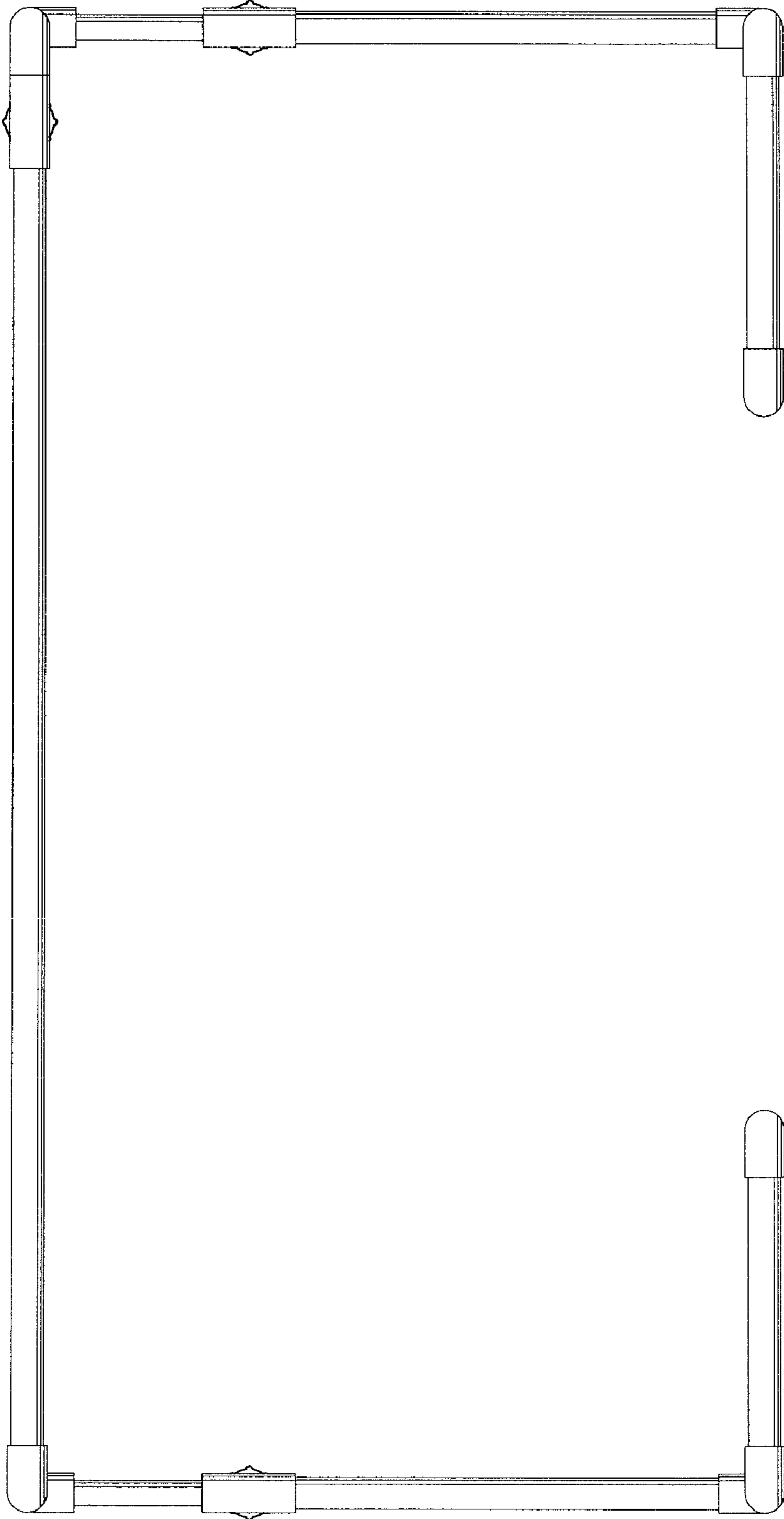


Fig. 6

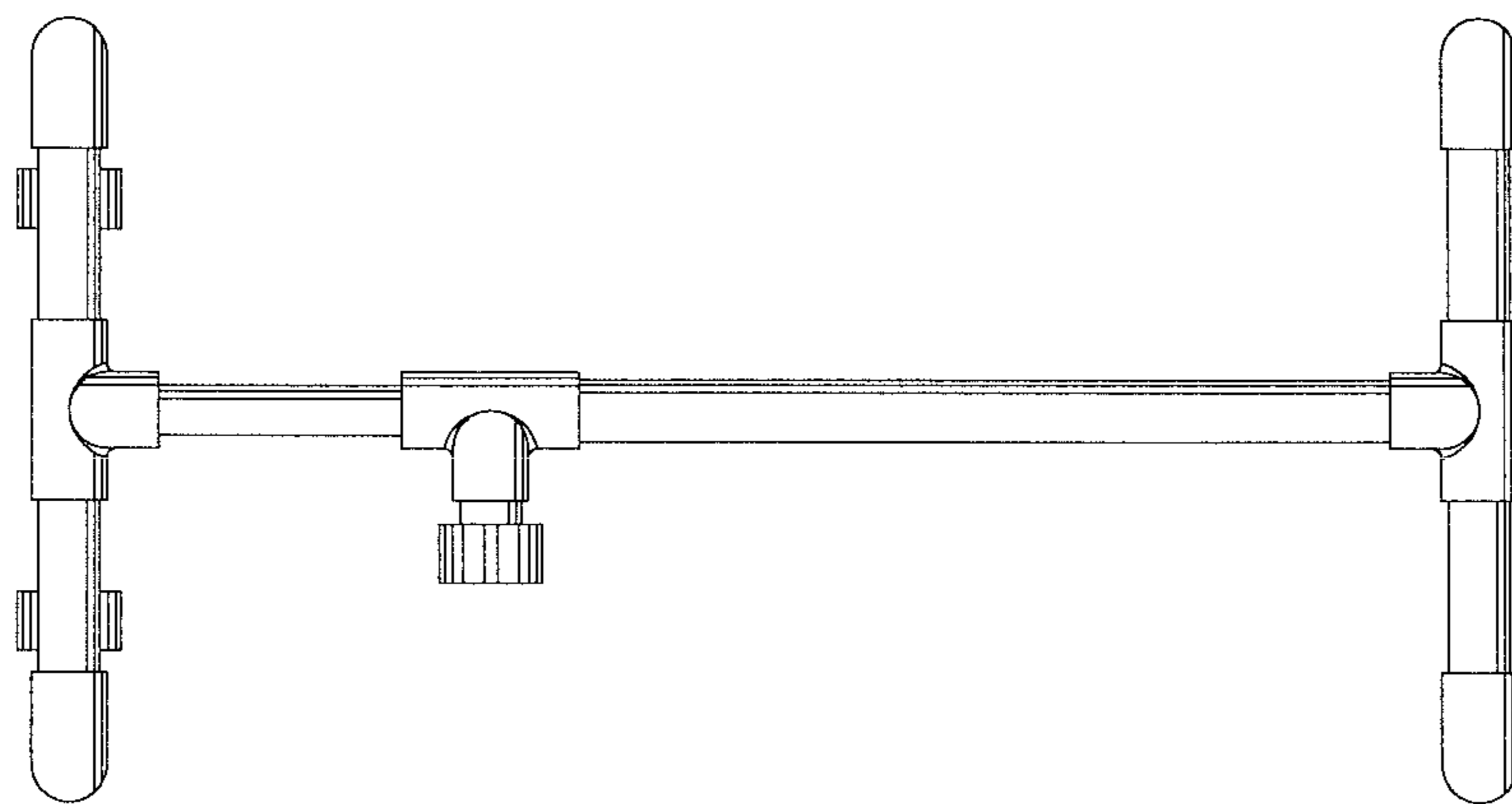


Fig. 8

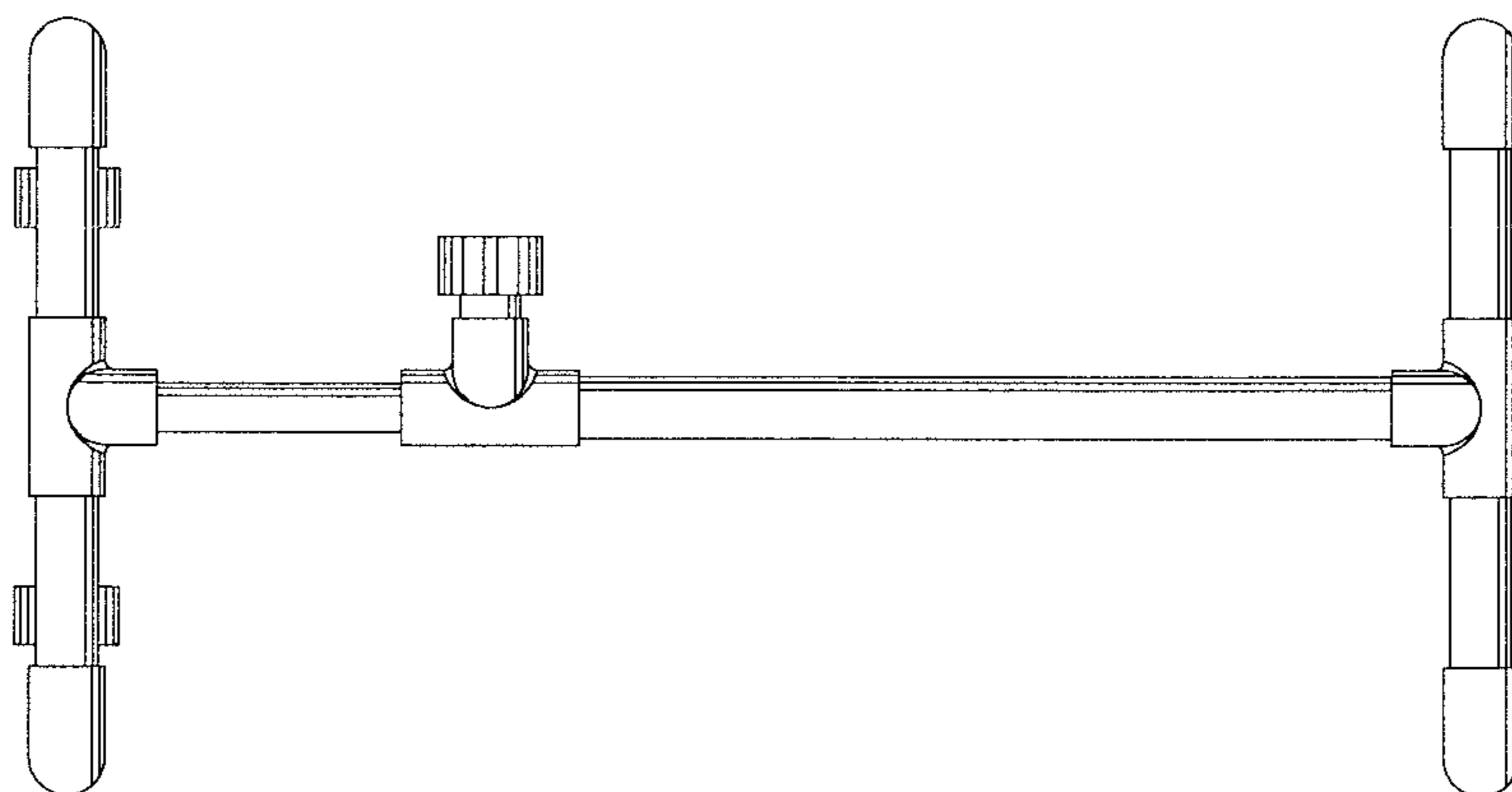


Fig. 7

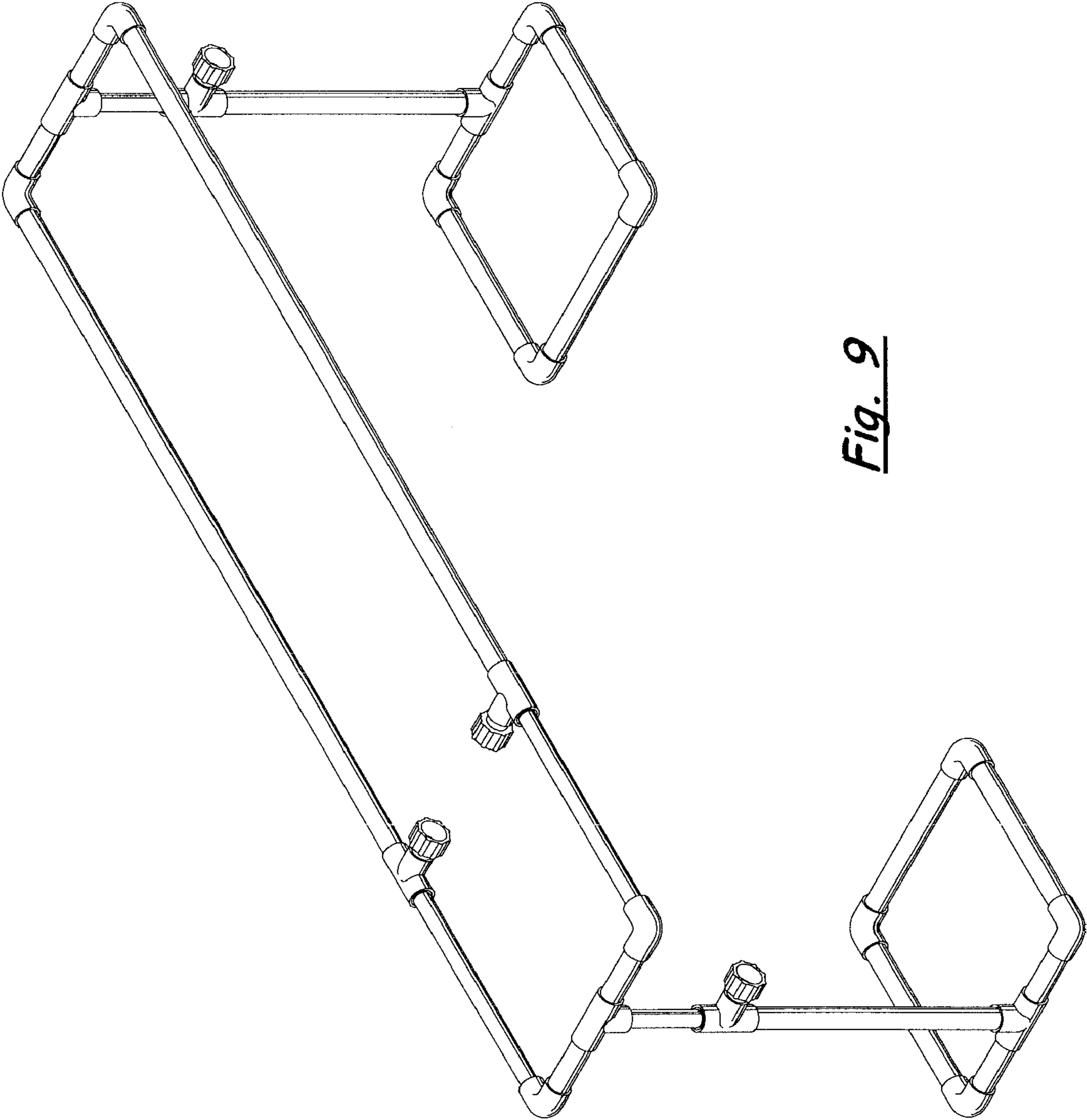


Fig. 9

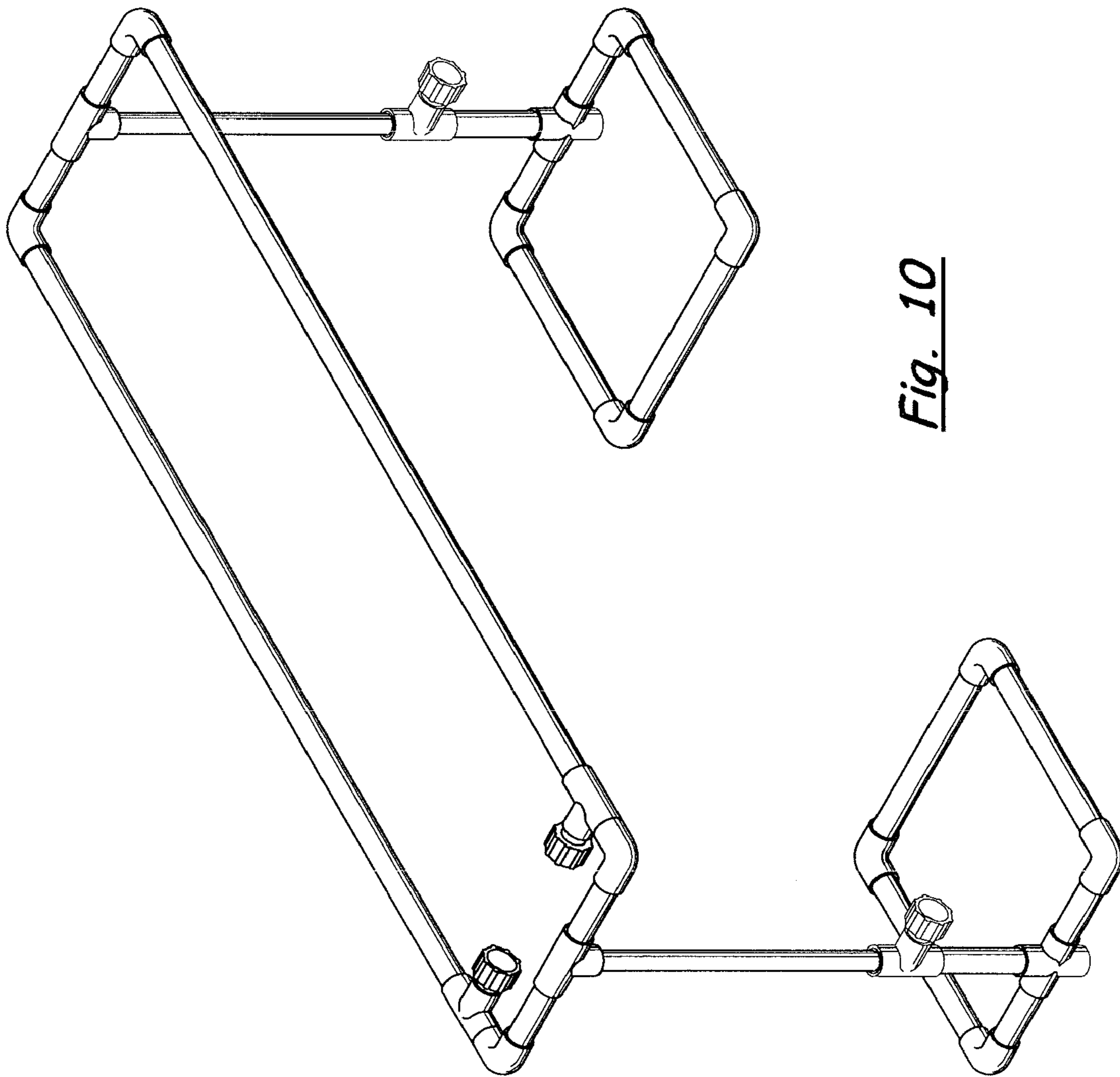


Fig. 10

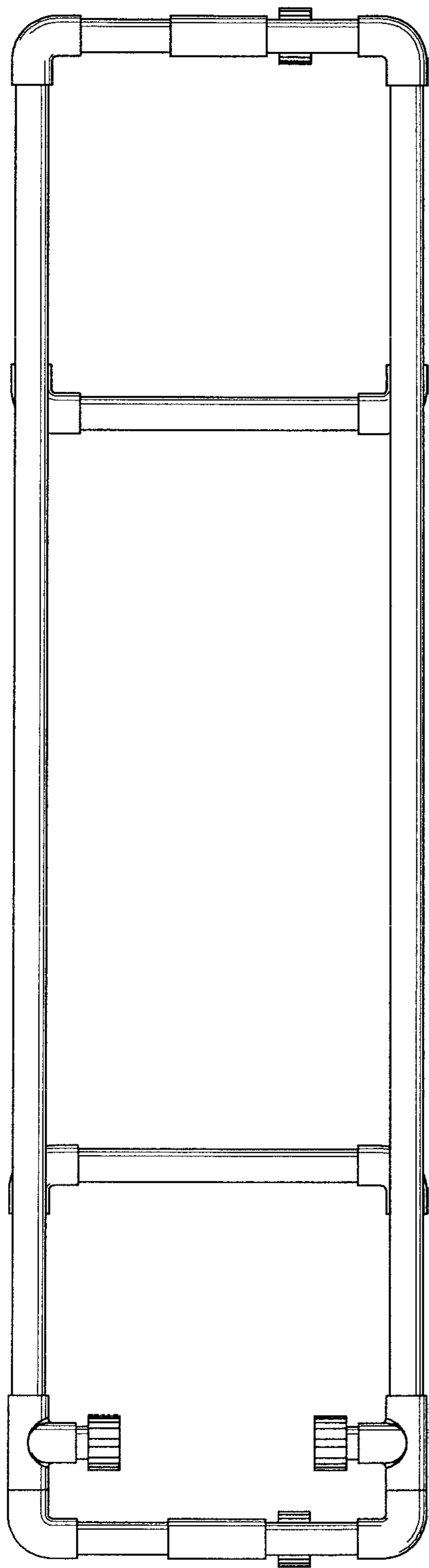


Fig. 11

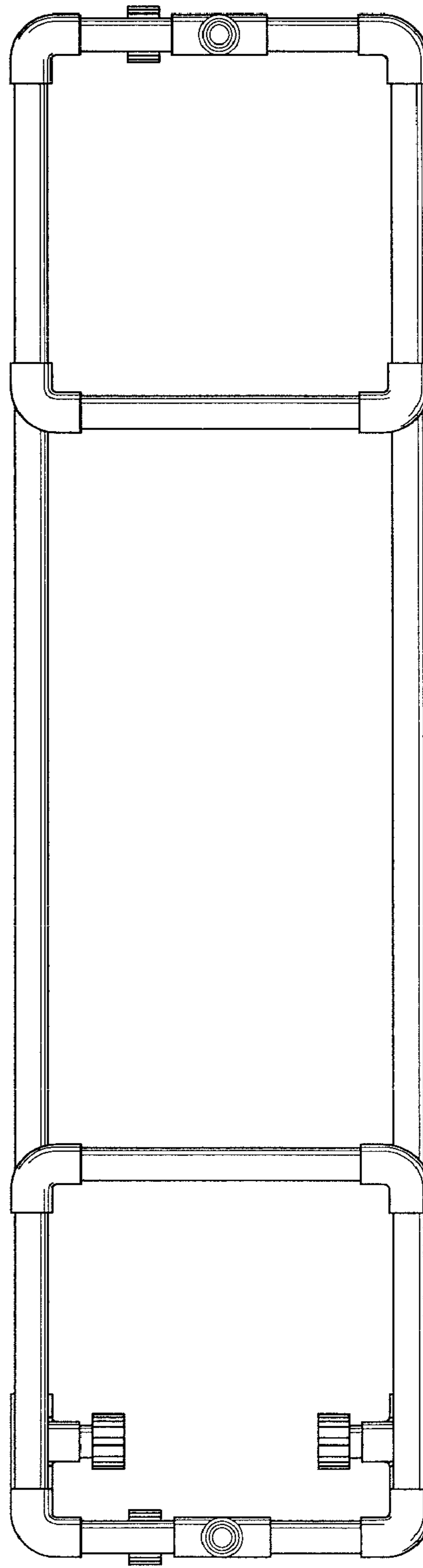


Fig. 13

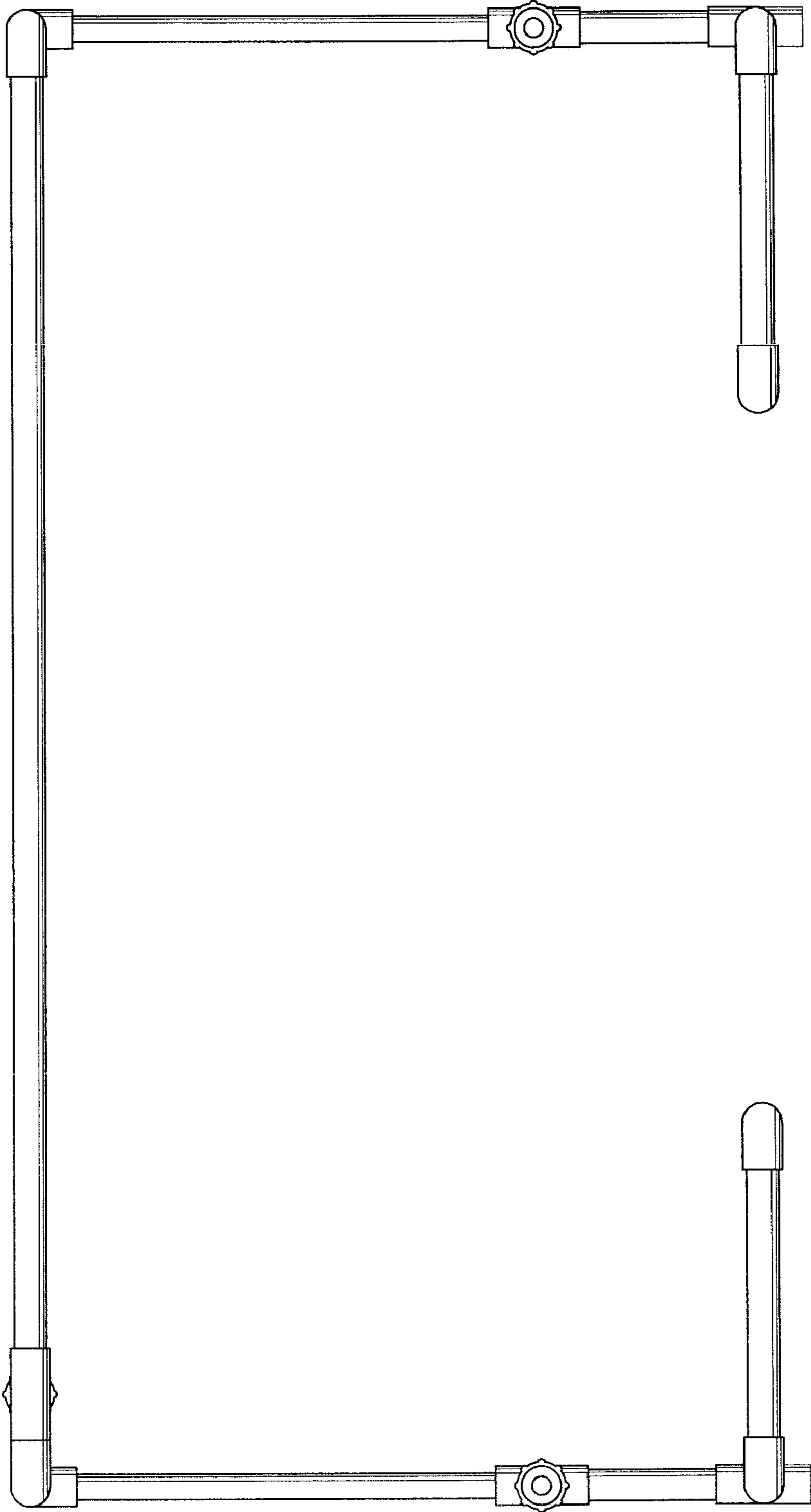


Fig. 12

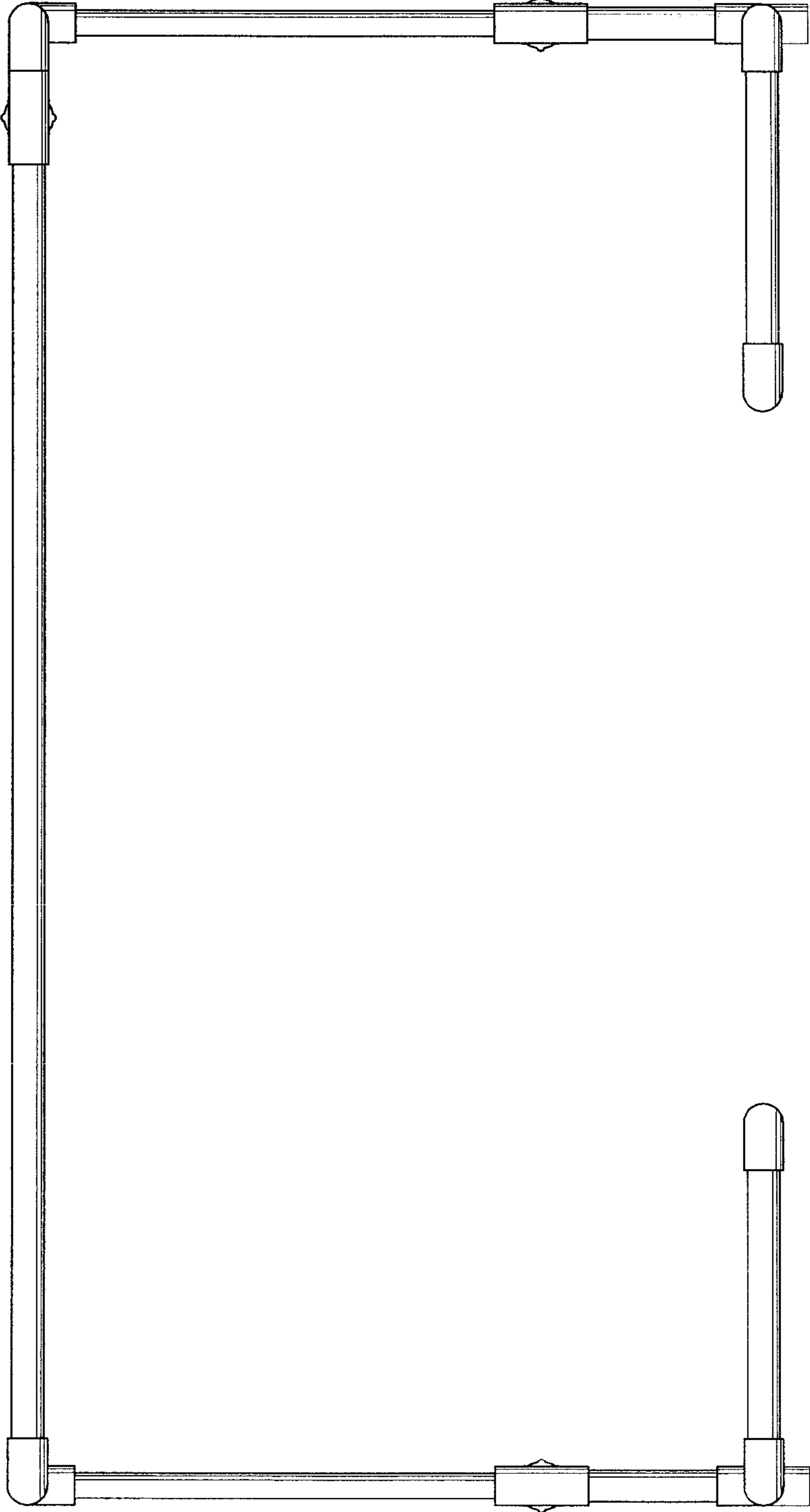


Fig. 14

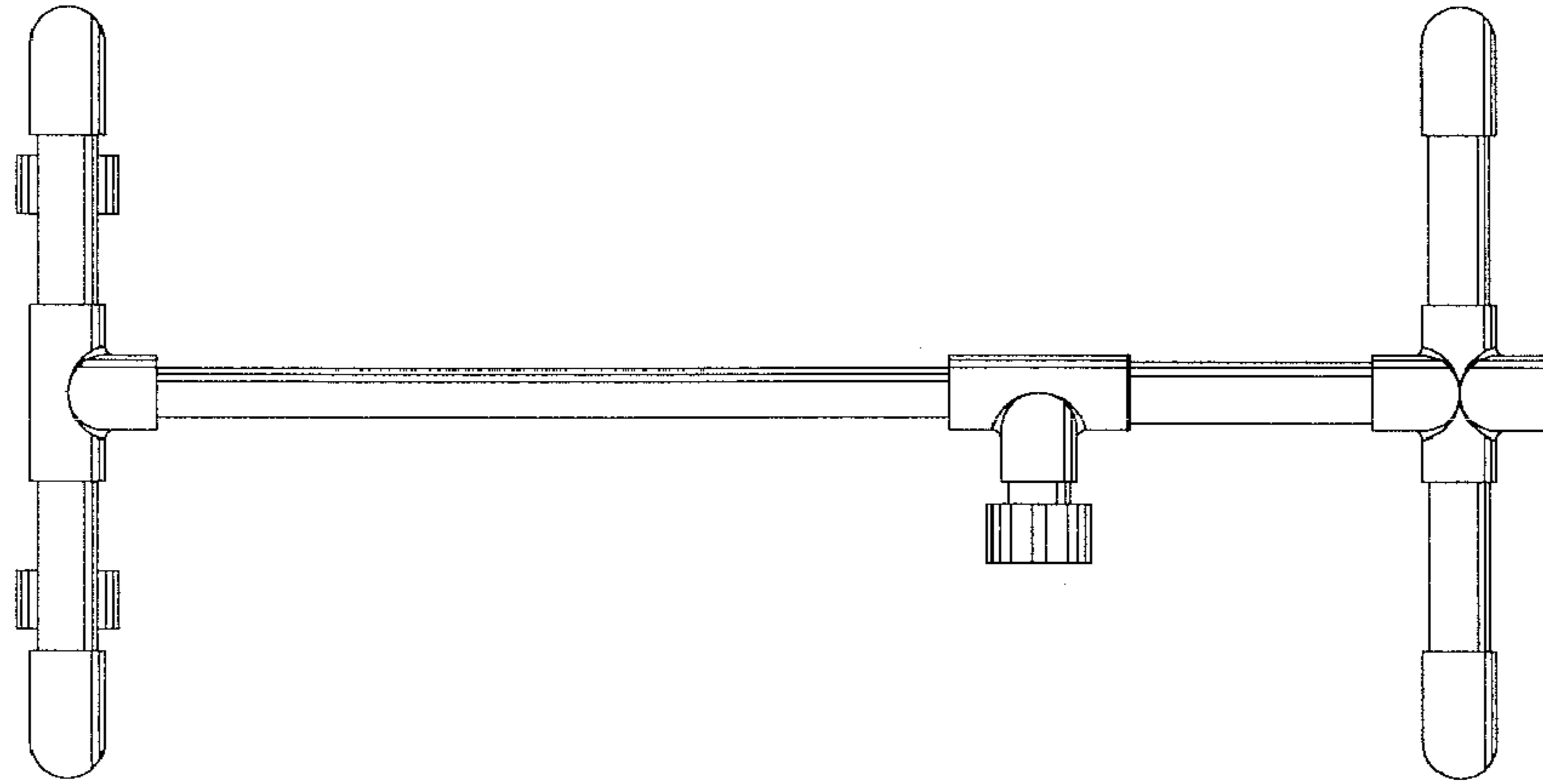


Fig. 16

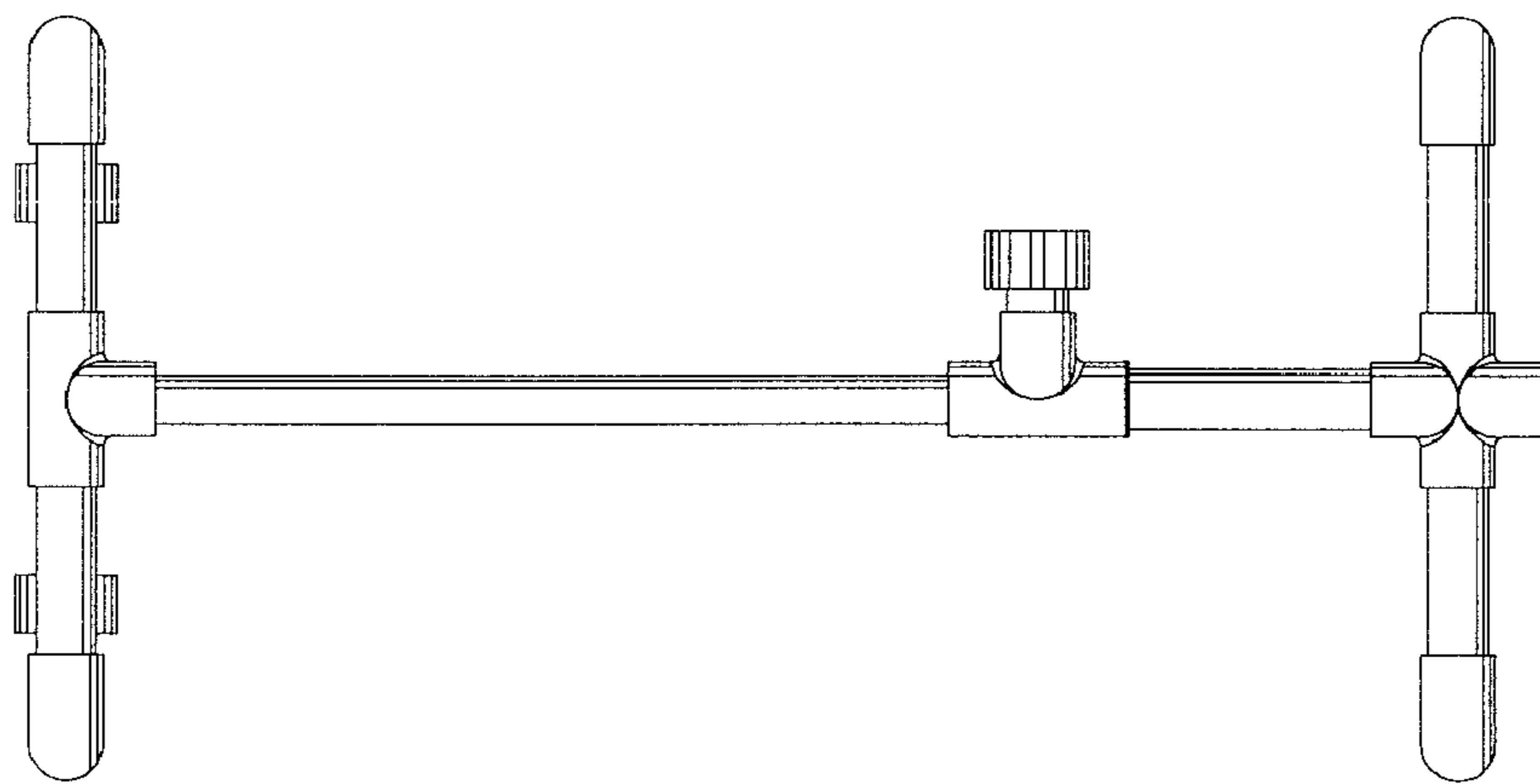


Fig. 15

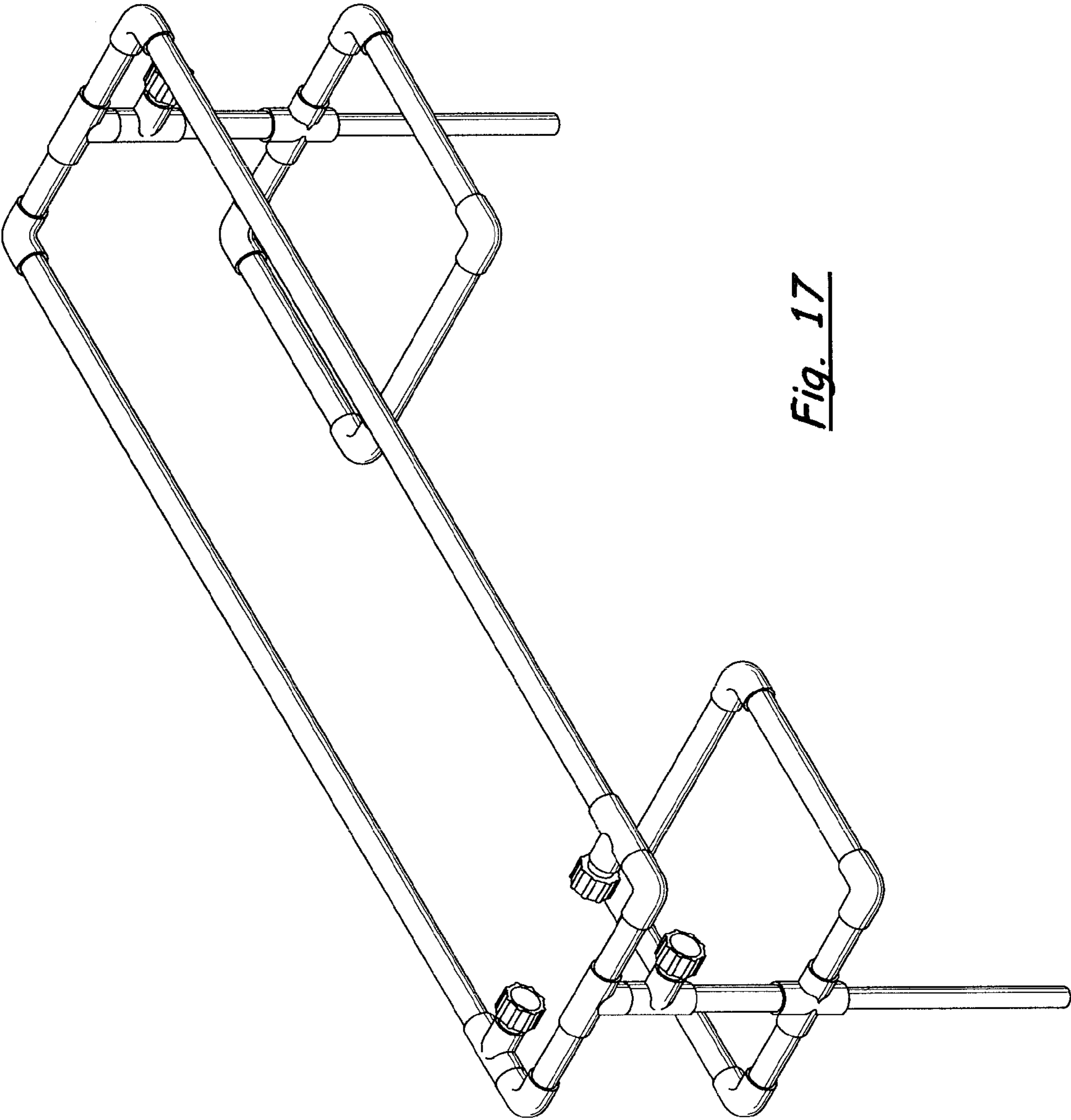


Fig. 17