



US00D637011S

(12) **United States Design Patent**
Spindelbalker

(10) **Patent No.:** **US D637,011 S**

(45) **Date of Patent:** **** May 3, 2011**

(54) **DISPLAY TRAY FOR EYEGLASSES,
SUNGLASSES, OR LIKE EYEWEAR**

(75) Inventor: **Rupert Spindelbalker**, Puchenau (AT)

(73) Assignee: **Silhouette International Schmied AG**,
Linz (AT)

(**) Term: **14 Years**

(21) Appl. No.: **29/356,532**

(22) Filed: **Feb. 26, 2010**

(51) **LOC (9) Cl.** **06-07**

(52) **U.S. Cl.** **D6/396; D6/509**

(58) **Field of Classification Search** D6/449,
D6/396, 397, 491; D7/698, 699, 637, 638,
D7/388, 550.1, 552.2, 554.3; D32/53.1,
D32/54; D14/434; 296/97.23; D12/425
See application file for complete search history.

(56) **References Cited**

U.S. PATENT DOCUMENTS

D242,136 S *	11/1976	Matlock	D12/425
D416,768 S *	11/1999	Lisser et al.	D7/698
D473,112 S *	4/2003	de Groote	D7/698
D478,226 S	8/2003	Peyker		
D478,227 S	8/2003	Peyker		
D482,905 S	12/2003	Peyker		
D484,331 S	12/2003	Peyker		
D486,672 S	2/2004	Peyker		
D487,366 S	3/2004	Peyker		
D493,638 S	8/2004	Peyker		
D493,981 S	8/2004	Peyker		
D498,104 S	11/2004	Peyker		
D535,836 S	1/2007	Peyker		
D541,284 S *	4/2007	Hibino et al.	D14/434

D569,567 S *	5/2008	Kohn	D32/53.1
D586,056 S *	2/2009	Shea	D32/53.1
7,607,713 B2 *	10/2009	Macneil	296/97.23
7,686,370 B2 *	3/2010	MacNeil	296/97.23
D627,120 S *	11/2010	Davidson	D32/54

* cited by examiner

Primary Examiner — Philip S Hyder

Assistant Examiner — Sydney R Buffalow

(74) *Attorney, Agent, or Firm* — Alston & Bird LLP

(57) **CLAIM**

The ornamental design for a display tray for eyeglasses, sunglasses, or like eyewear, as shown and described.

DESCRIPTION

FIG. 1 is a perspective view of an embodiment of a display tray for eyeglasses, sunglasses, or like eyewear showing my new design;

FIG. 2 is a top plan view thereof;

FIG. 3 is a bottom plan view thereof;

FIG. 4 is a front elevation view thereof;

FIG. 5 is a rear elevation view thereof; and

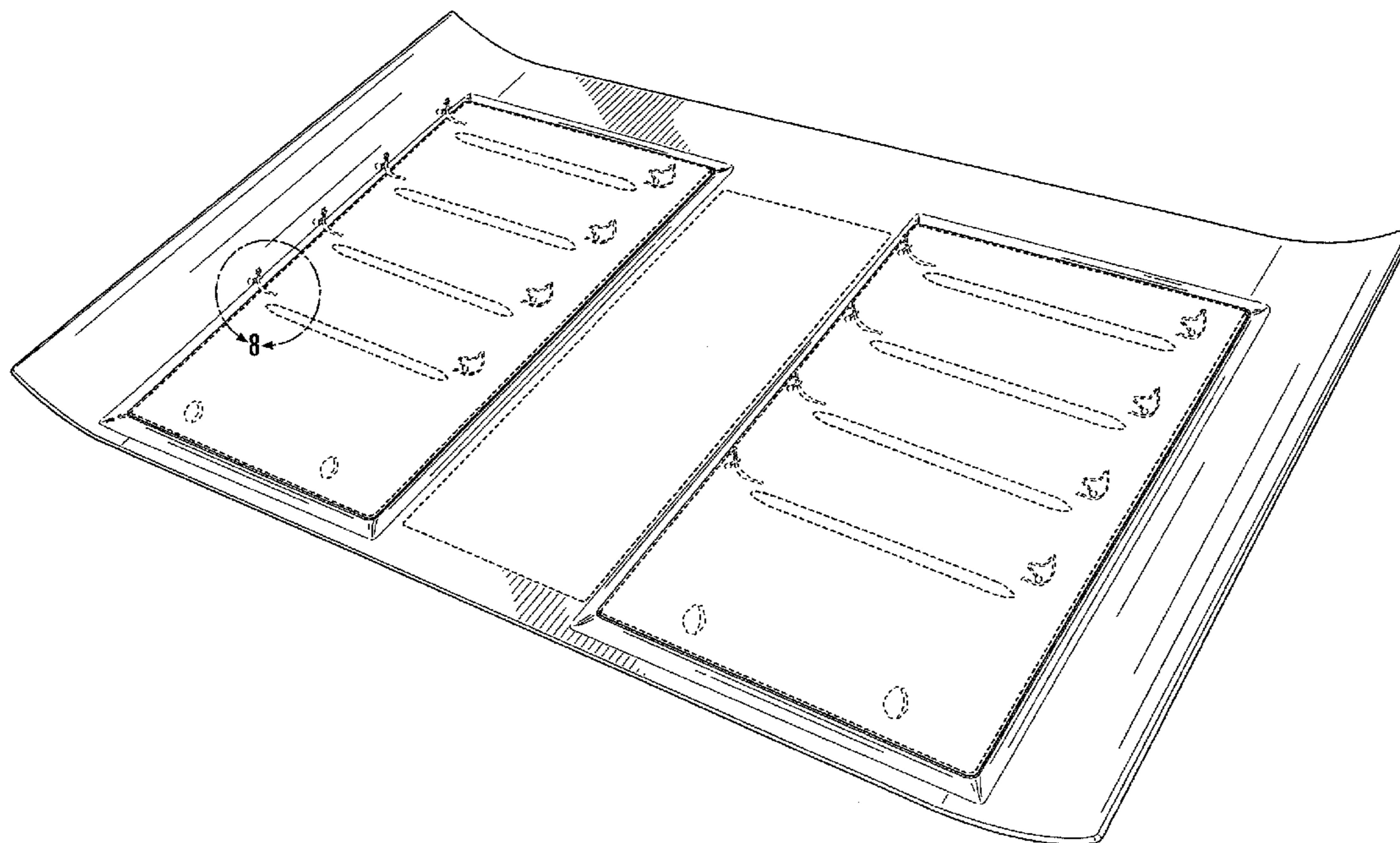
FIG. 6 is a left side elevation view thereof, the right side elevation view being a mirror image thereof;

FIG. 7 is another perspective view thereof, shown with a pair of eyeglasses and a pair of clip-on sunglasses; and,

FIG. 8 is an enlarged portion of the perspective view of FIG. 1.

The broken lines immediately adjacent shaded areas represent bounds of the claimed design and environment while all other broken lines are directed to environment and are for illustrative purposes only. The broken lines form no part of the claimed design.

1 Claim, 7 Drawing Sheets



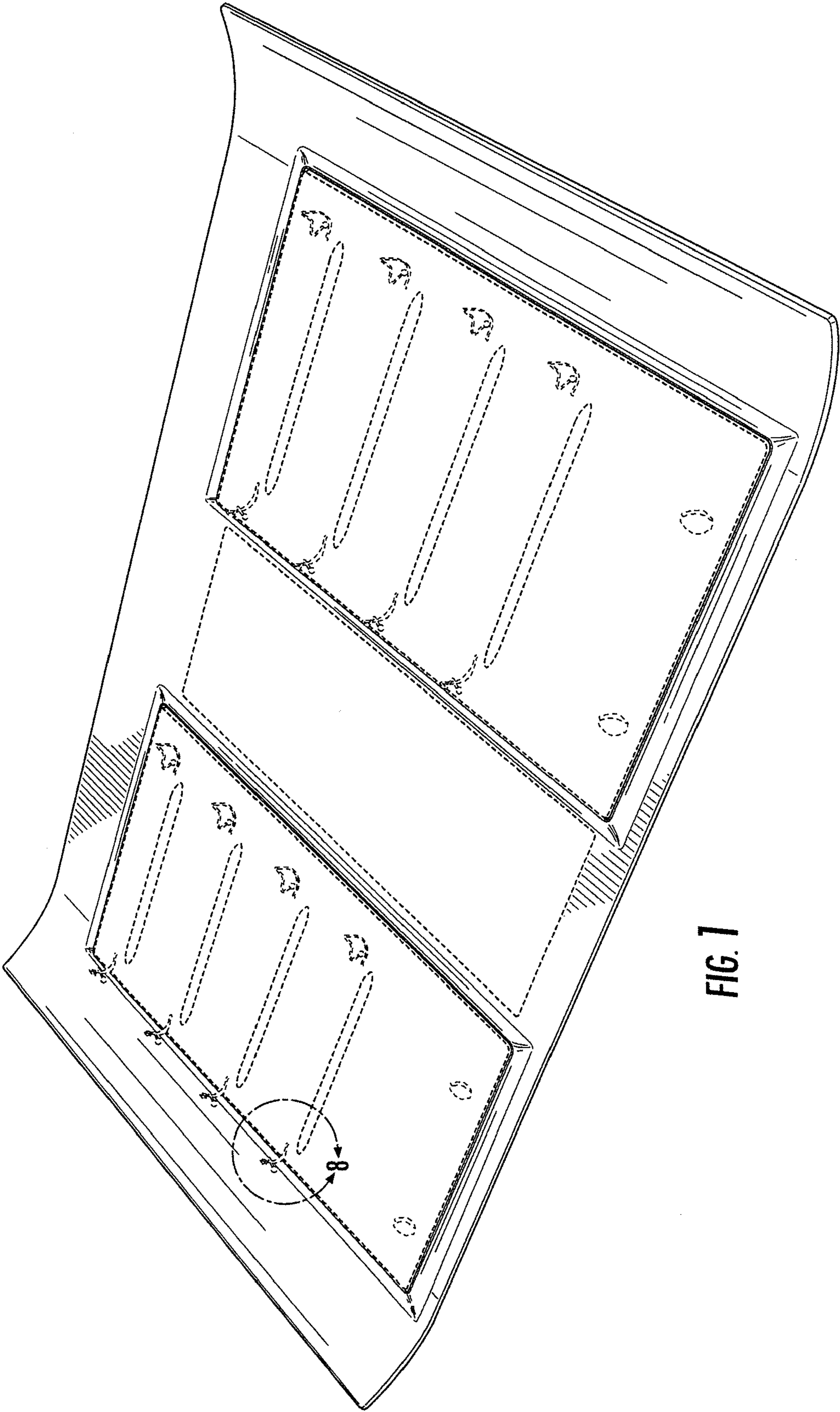


FIG. 1

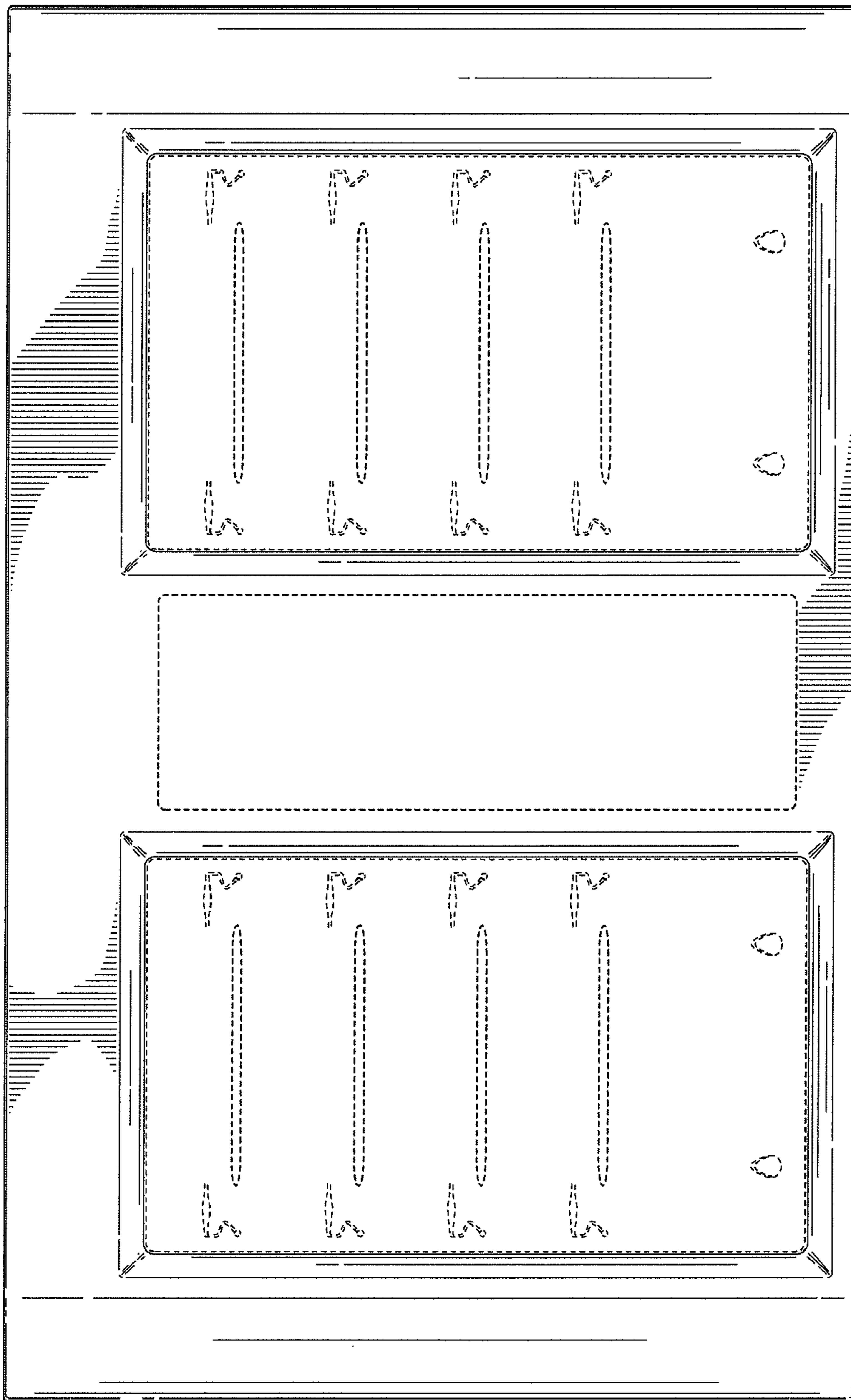


FIG. 2

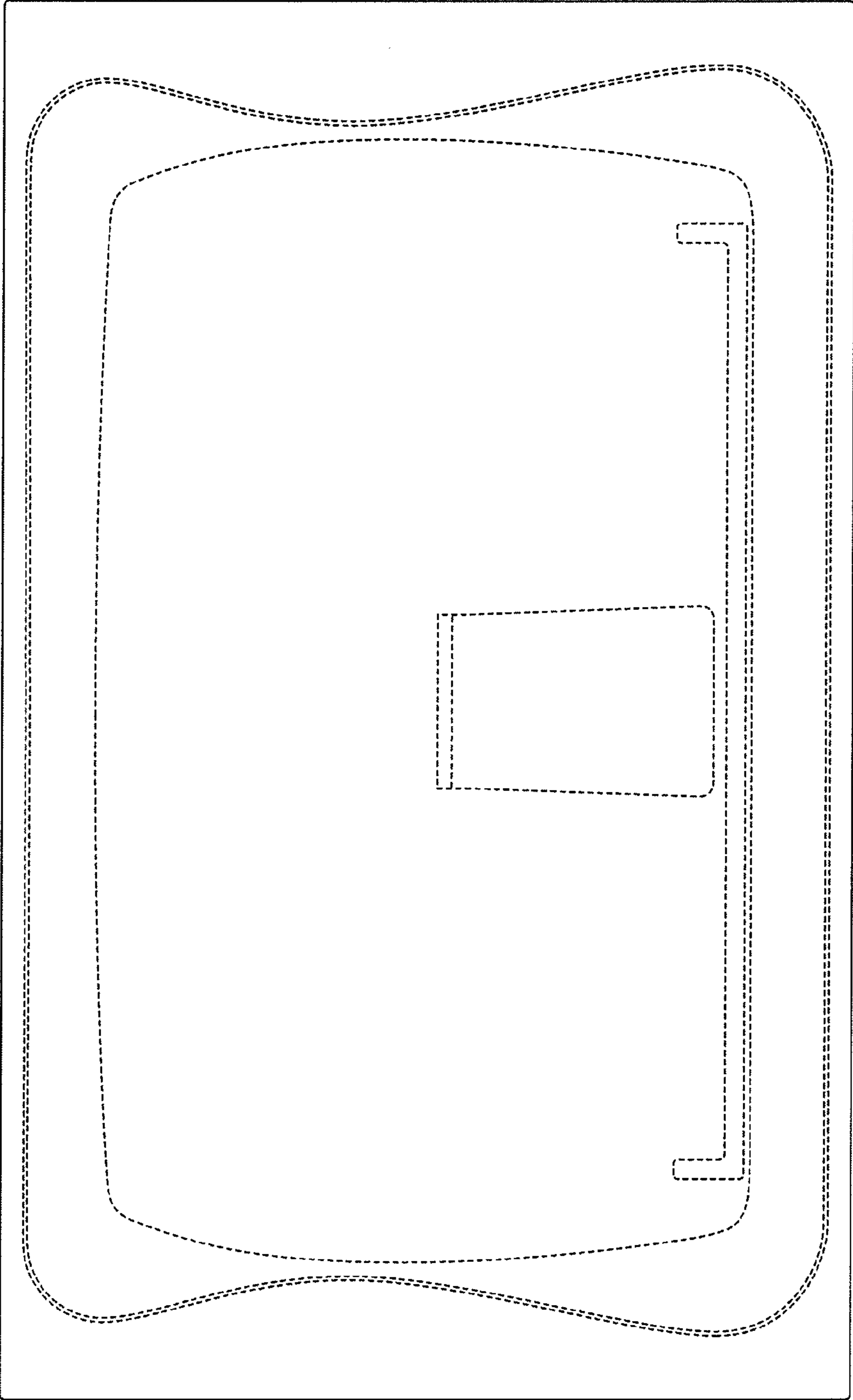


FIG. 3

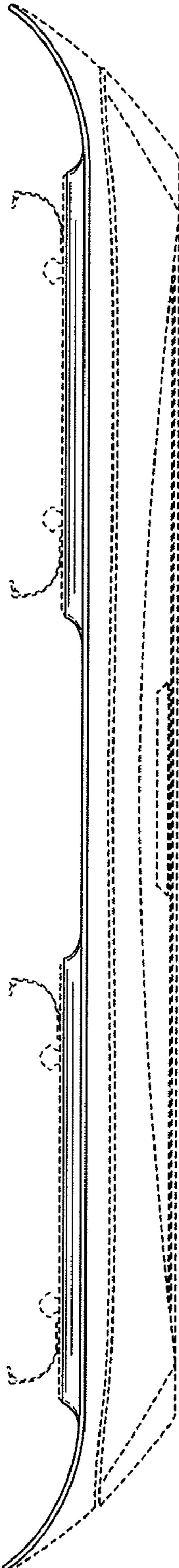


FIG. 4

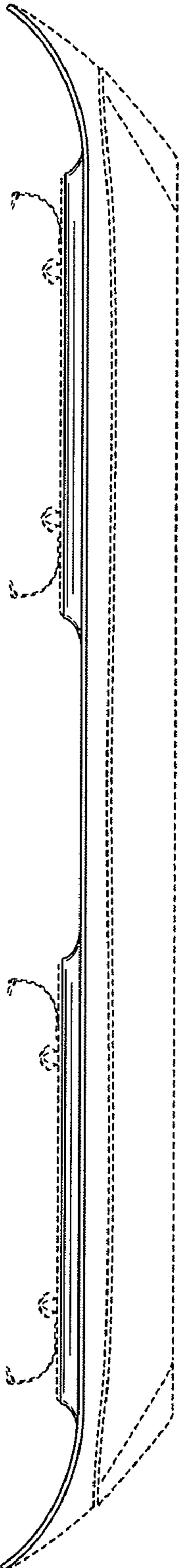


FIG. 5

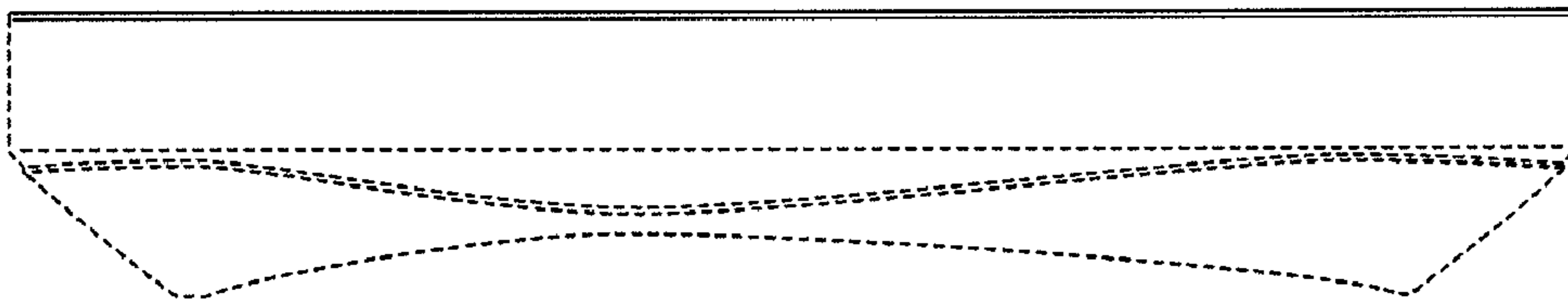


FIG. 6

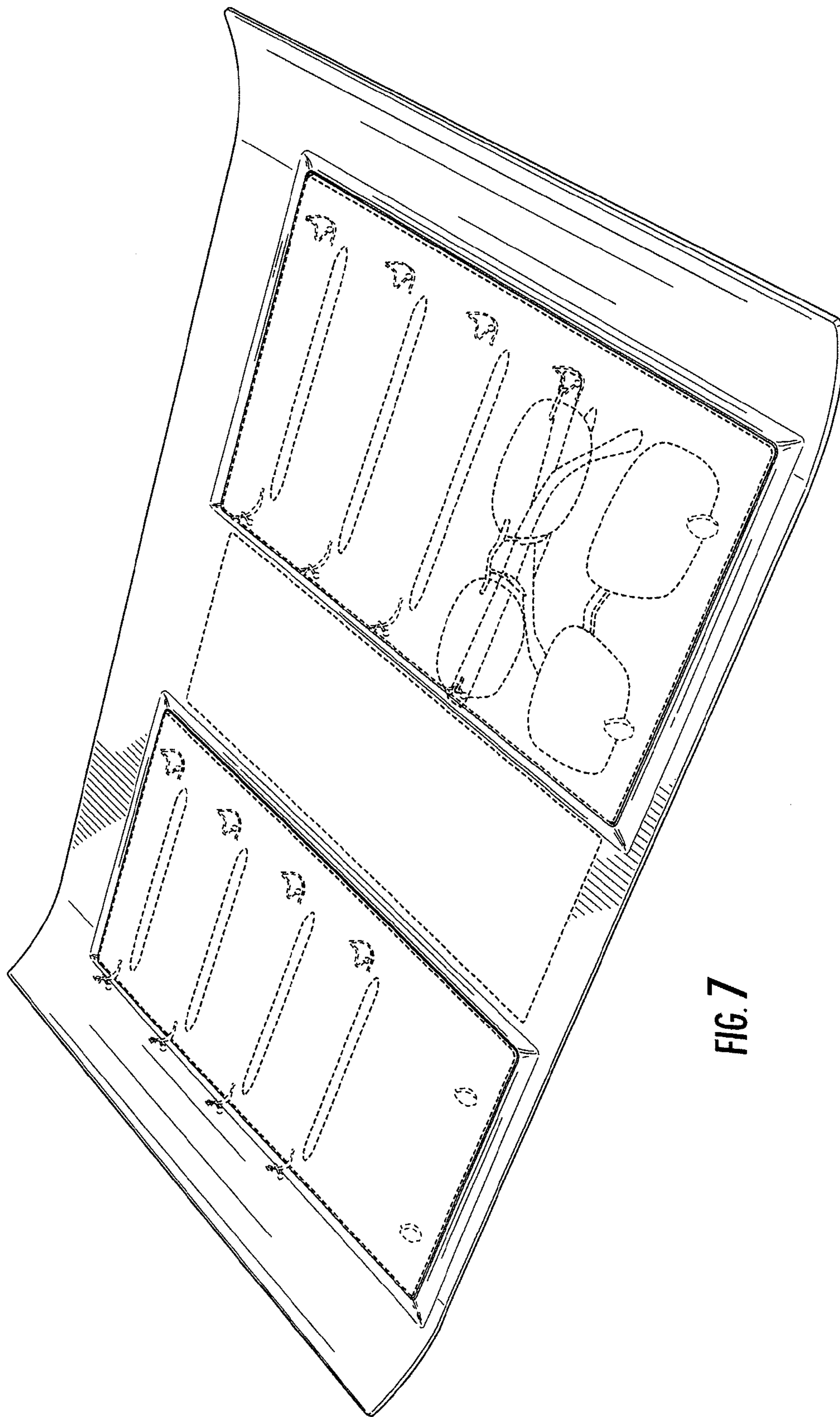


FIG. 7

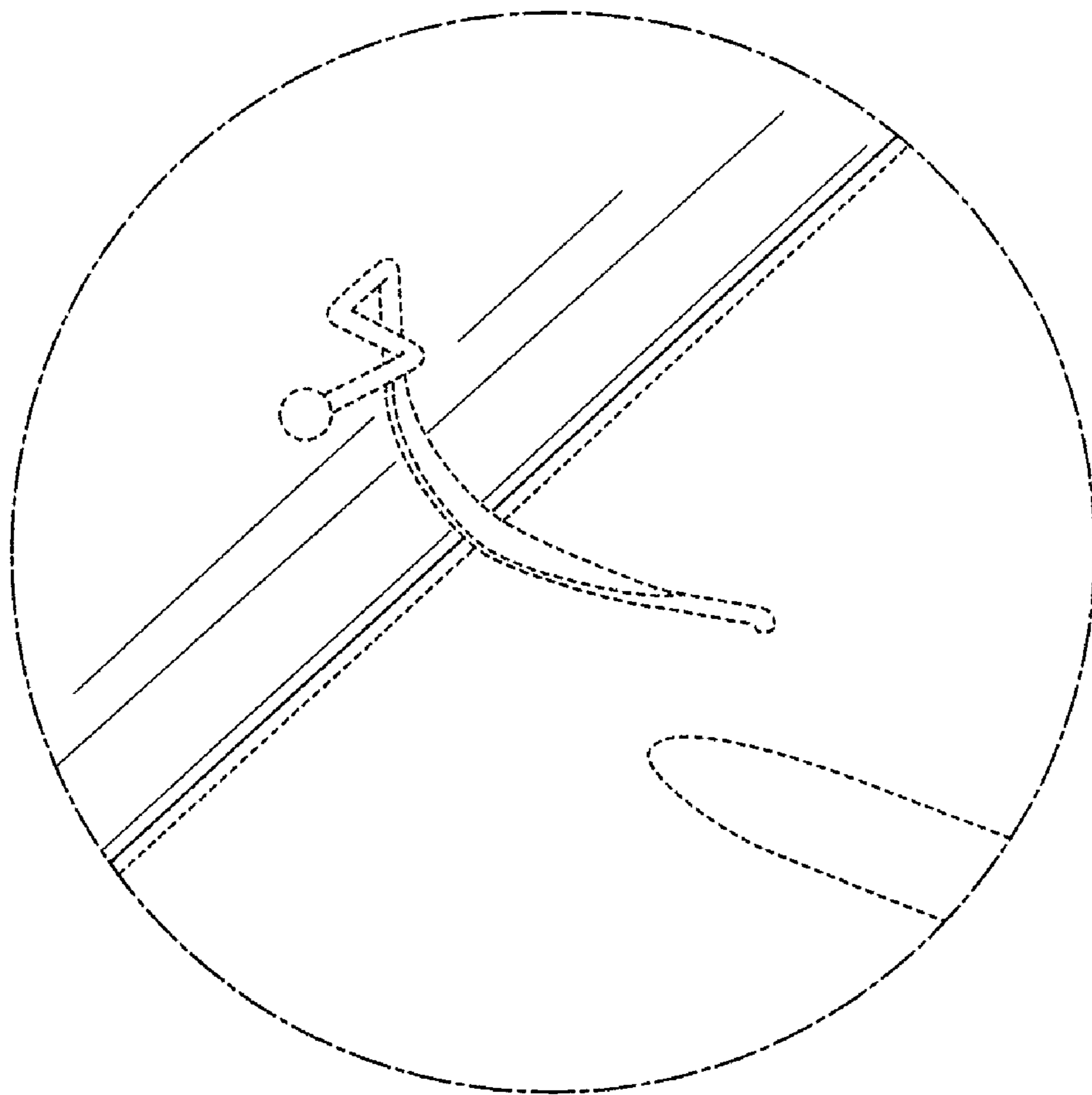


FIG. 8