



US00D637007S

(12) **United States Design Patent**
Miller

(10) **Patent No.:** **US D637,007 S**

(45) **Date of Patent:** **** May 3, 2011**

(54) **BROOM BRACKET**

(75) Inventor: **G. Ray Miller**, Addison, TX (US)

(73) Assignee: **Mag-Lok Tools, Inc.**, Carrollton, TX (US)

(**) Term: **14 Years**

(21) Appl. No.: **29/370,052**

(22) Filed: **May 28, 2010**

(51) **LOC (9) Cl.** **04-99**

(52) **U.S. Cl.** **D4/199**

(58) **Field of Classification Search** D4/199;
D32/50, 51; 15/145, 146, 171, 175, 176.1;
D8/371, 382, 394; 403/187, 198
See application file for complete search history.

(56) **References Cited**

U.S. PATENT DOCUMENTS

D26,974 S *	4/1897	MacKenzie	D4/199
1,311,657 A *	7/1919	Levins	15/146
1,983,923 A *	12/1934	Stevens et al.	403/198
5,319,822 A *	6/1994	Shaw	15/146
D354,170 S *	1/1995	Libman	D4/199
5,870,794 A *	2/1999	Harpell	15/105
7,730,571 B2 *	6/2010	Libman	15/145

* cited by examiner

Primary Examiner — Melanie H Tung

Assistant Examiner — Lavone D Tabor

(74) *Attorney, Agent, or Firm* — Schultz & Associates, P.C.

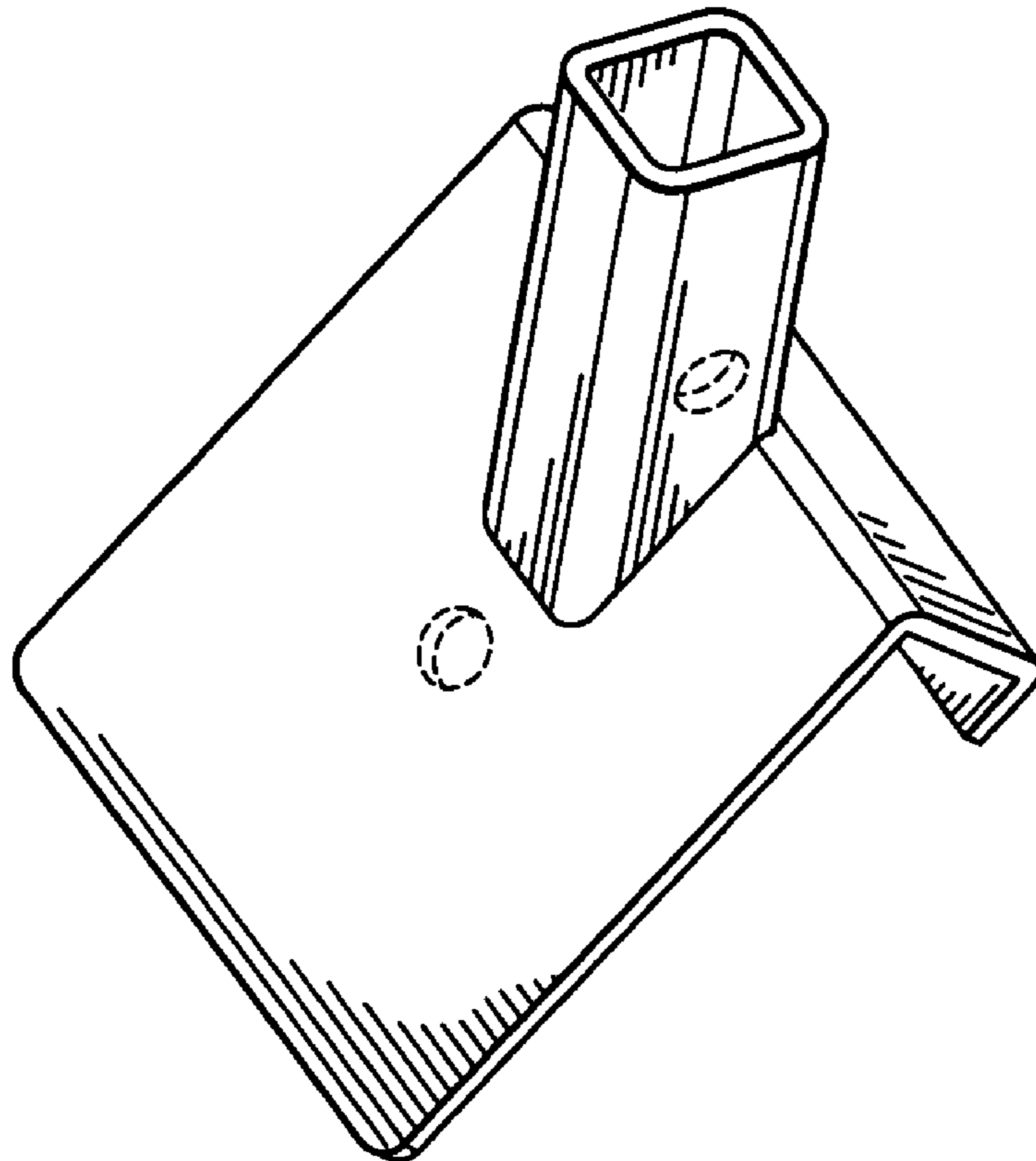
(57) **CLAIM**

The ornamental design for a broom bracket, as shown and described.

DESCRIPTION

FIG. 1 is an isometric view of the broom bracket in accordance with the present invention;
FIG. 2 is a front elevation view of the broom bracket in accordance with the present invention;
FIG. 3 is a side elevation view of the broom bracket in accordance with the present invention;
FIG. 4 is a rear elevation view of the broom bracket in accordance with the present invention;
FIG. 5 is a top plan elevation view of the broom bracket in accordance with the present invention; and,
FIG. 6 is a bottom plan view of the broom bracket in accordance with the present invention.
The continuous broken lines represent the bounds of the claim. None of the broken lines form part of the claimed design.

1 Claim, 2 Drawing Sheets



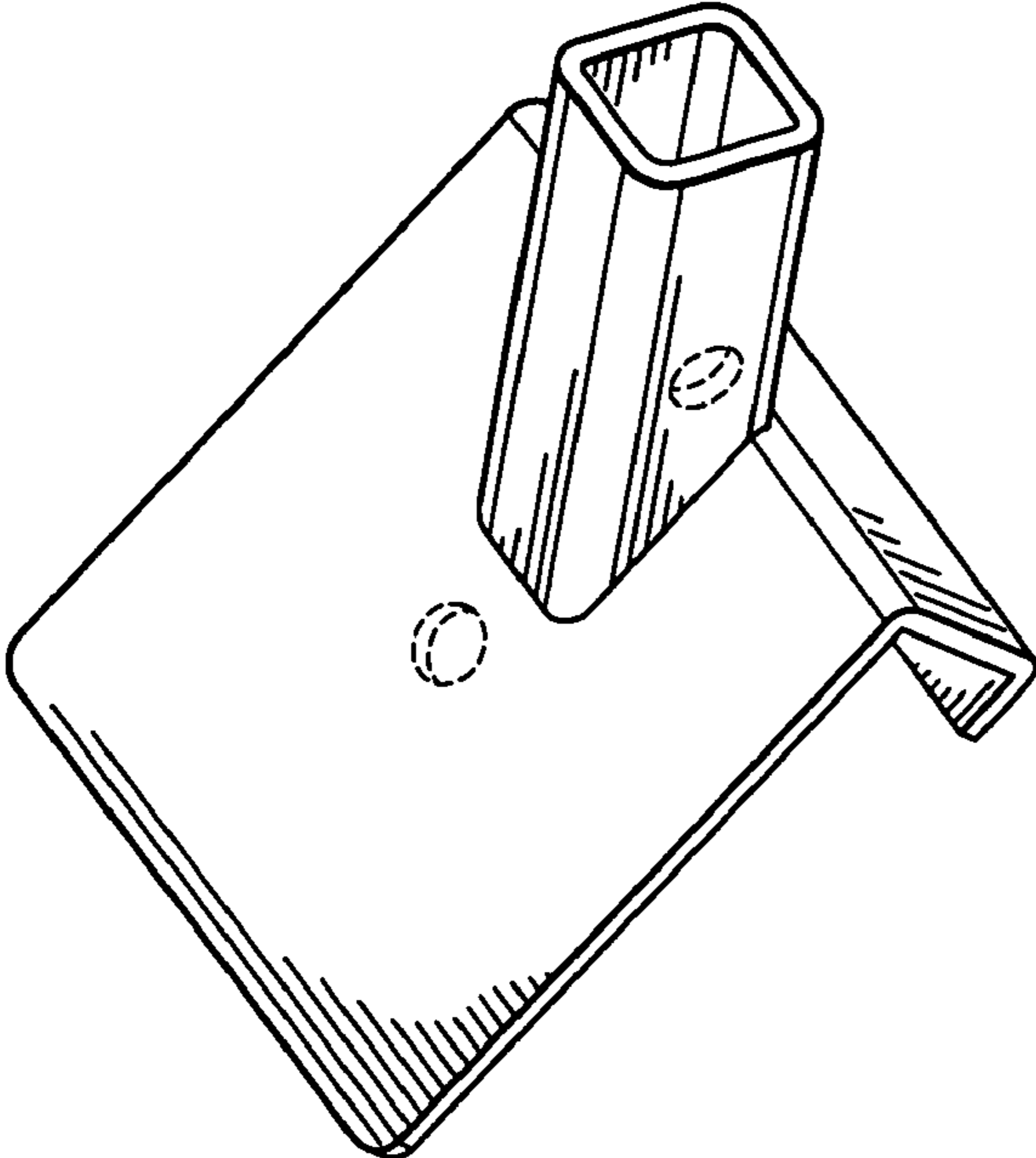


FIG. 1

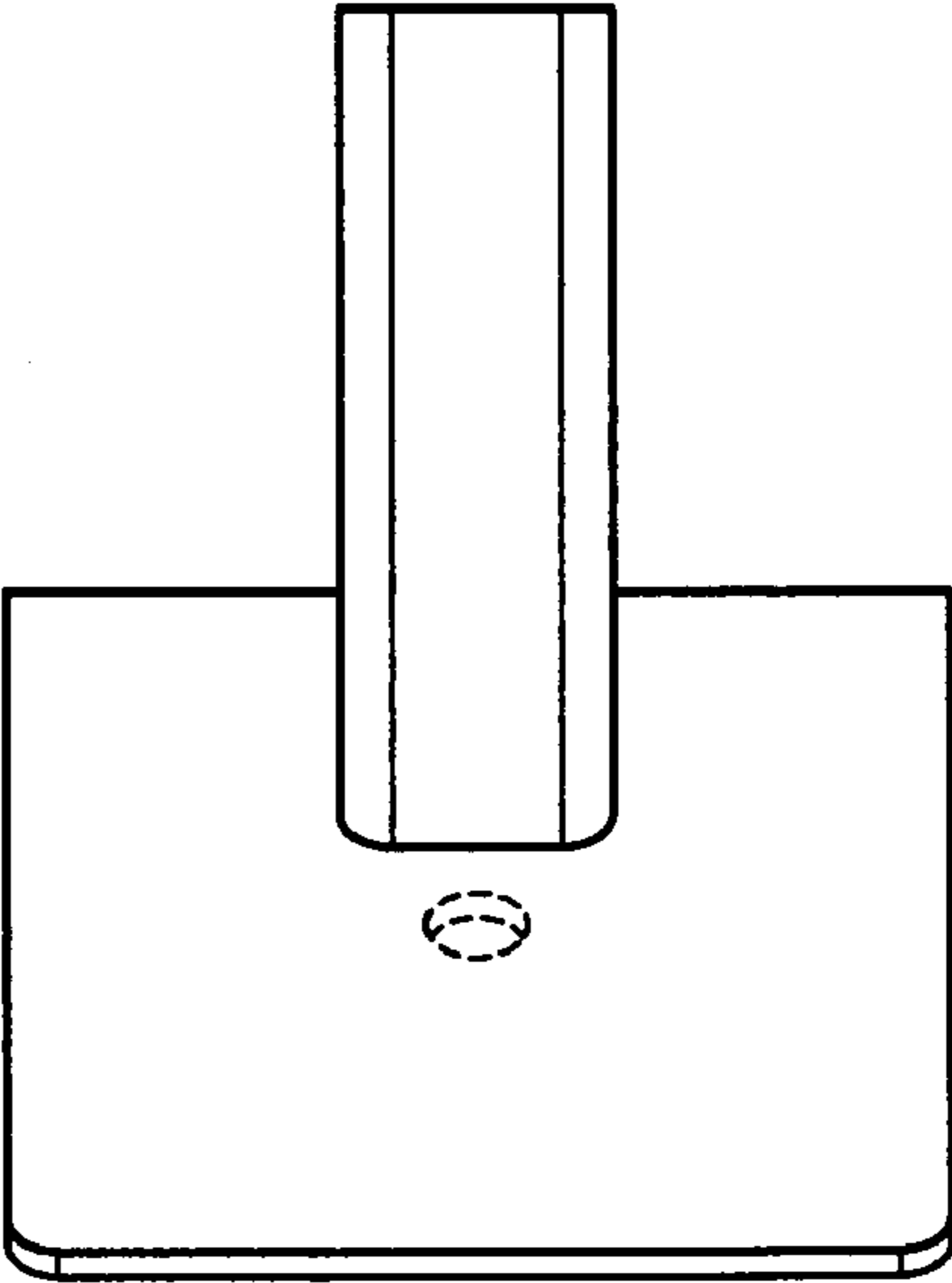


FIG. 2

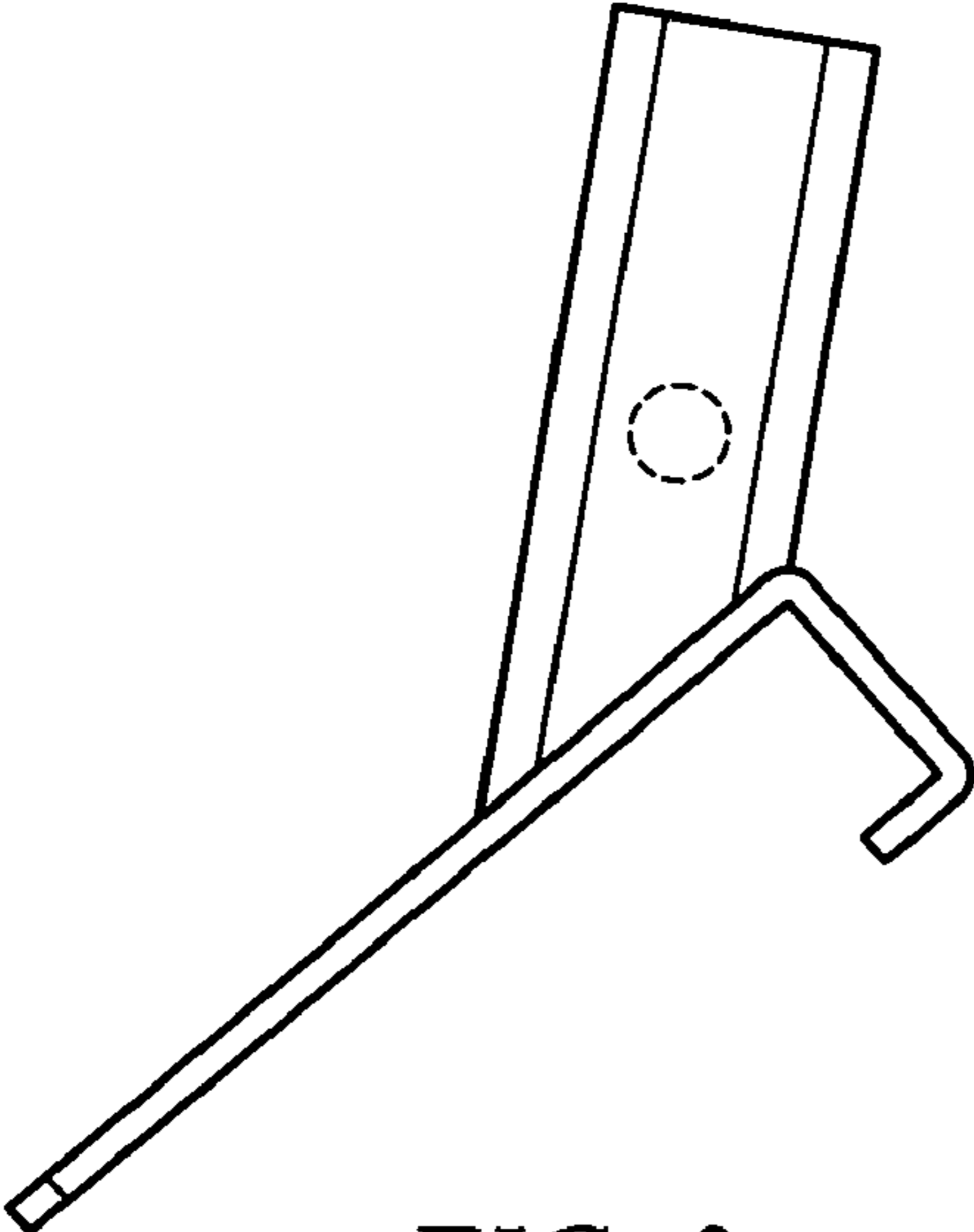


FIG. 3

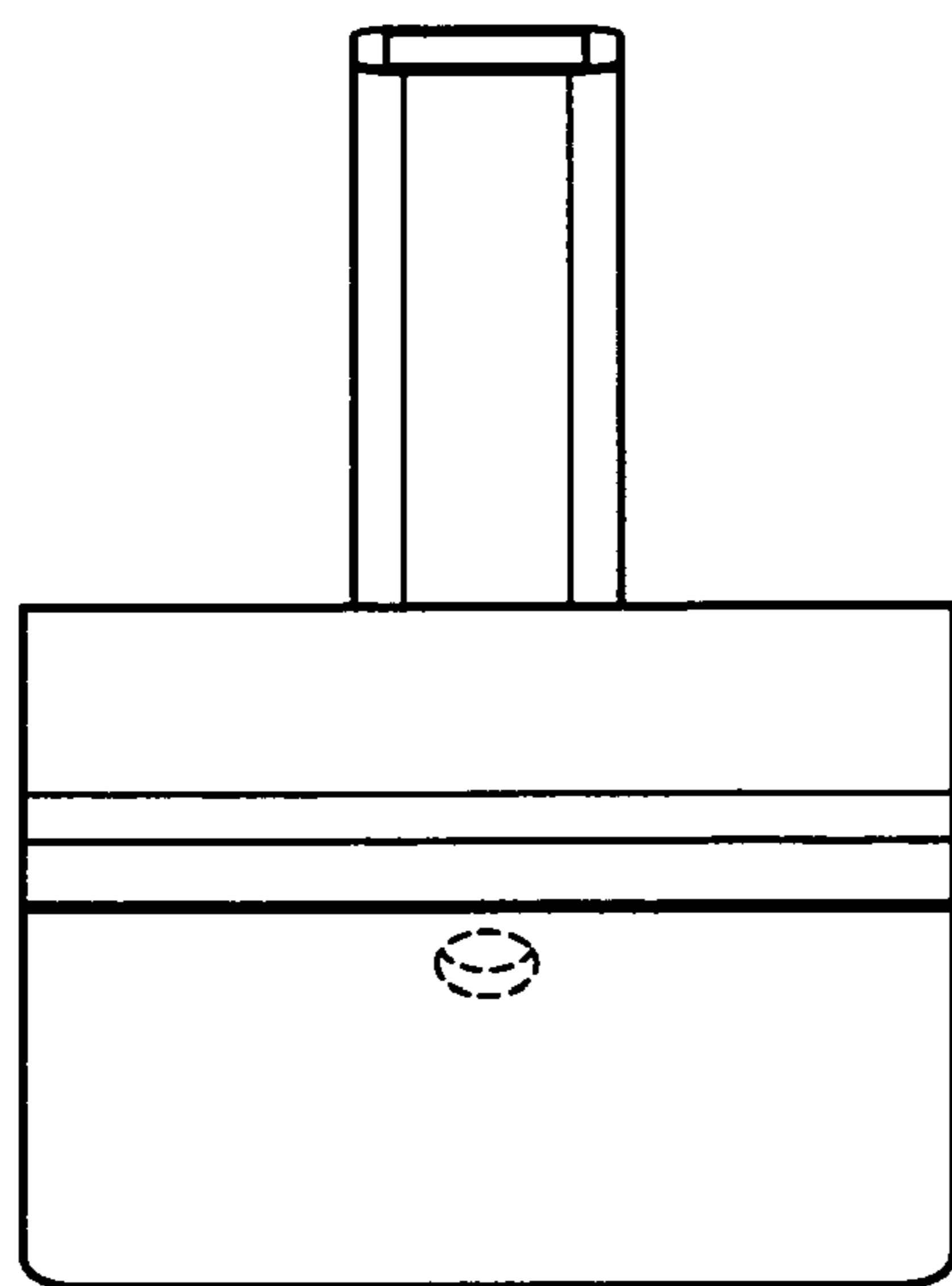


FIG. 4

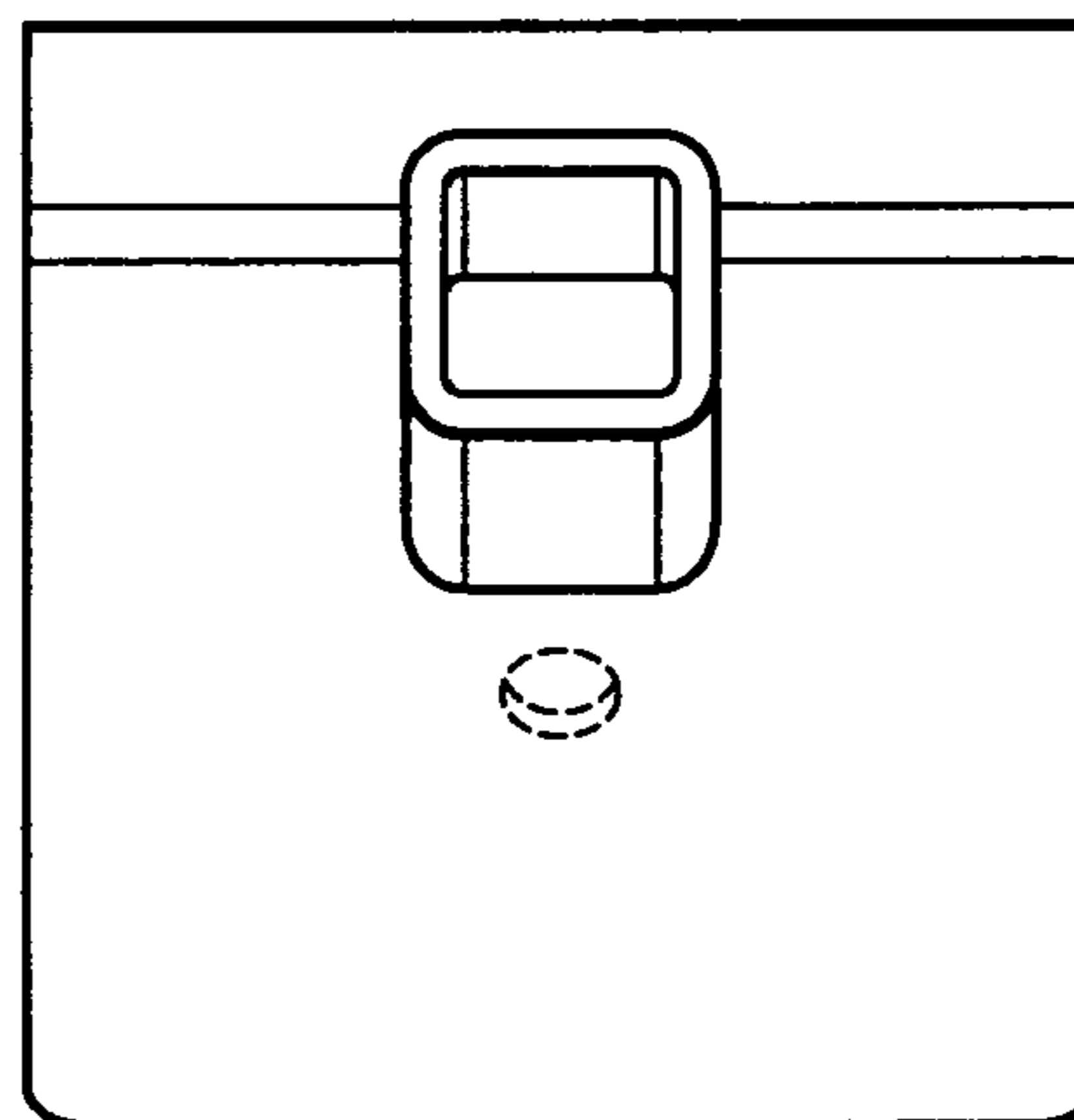


FIG. 5

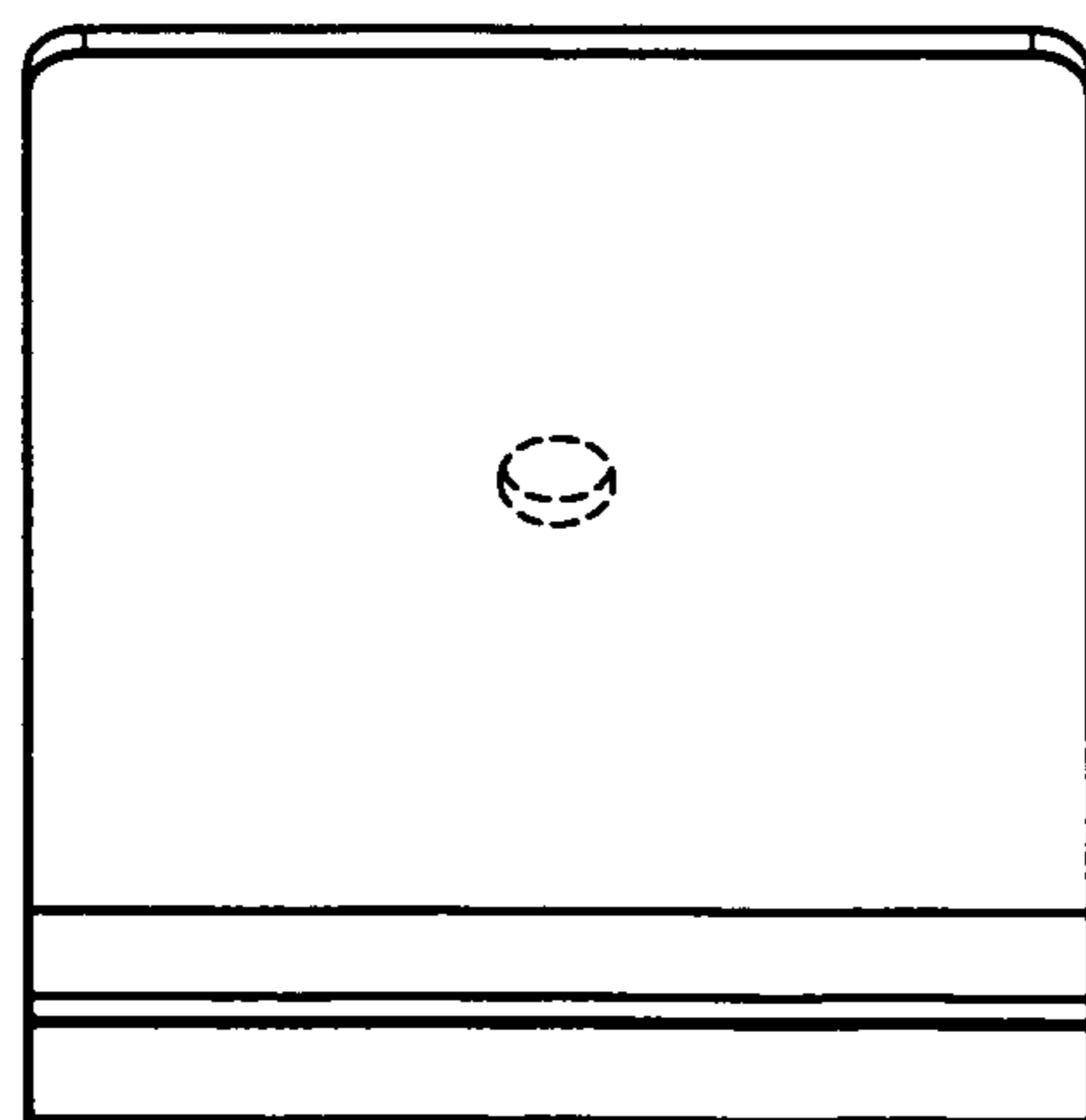


FIG. 6