



US00D636999S

(12) **United States Design Patent**  
**Goodman et al.**

(10) **Patent No.:** **US D636,999 S**  
(45) **Date of Patent:** **\*\* May 3, 2011**

- (54) **BASKET**
- (75) Inventors: **Sheldon H. Goodman**, Solon, OH (US);  
**Omer I. Sazir**, Cleveland, OH (US);  
**Elizabeth A. Cho**, Strongsville, OH (US)
- (73) Assignee: **Spectrum Diversified Designs, Inc.**,  
Streetsboro, OH (US)
- (\*\*) Term: **14 Years**
- (21) Appl. No.: **29/380,737**
- (22) Filed: **Dec. 10, 2010**

D419,771 S	2/2000	Chen	
D420,513 S	2/2000	Chen	
D434,718 S	12/2000	Kreisler	
D443,159 S	6/2001	Ferrer Beltran	
D444,012 S	6/2001	Ferrer Beltran	
D472,750 S	4/2003	Clucas	
D477,144 S	7/2003	Remmers	
D507,108 S	7/2005	Suero, Jr.	
D526,454 S	8/2006	Plikuhn	D32/55
D578,762 S	10/2008	Smith et al.	D3/306
D608,598 S	1/2010	Goodman et al.	
D608,599 S	1/2010	Goodman et al.	
D616,252 S	5/2010	Goodman et al.	
D616,254 S	5/2010	Goodman et al.	
D616,255 S	5/2010	Goodman et al.	
D622,107 S	8/2010	Goodman et al.	
D629,610 S	12/2010	Goodman et al.	D3/306
D629,656 S	12/2010	Goodman et al.	D7/601

\* cited by examiner

**Related U.S. Application Data**

- (62) Division of application No. 29/367,899, filed on Aug. 14, 2010.
- (51) **LOC (9) Cl.** ..... **03-01**
- (52) **U.S. Cl.** ..... **D3/306**
- (58) **Field of Classification Search** ..... D3/304,  
D3/306-309, 314, 315; D7/601-602; 220/485,  
220/586; D6/566-567, 537, 540, 574, 572,  
D6/510; 211/13.1, 41.3, 41.4, 86.01, 88.01,  
211/134, 126.1  
See application file for complete search history.

*Primary Examiner* — Elizabeth A Albert  
*Assistant Examiner* — Kelley A Donnelly  
(74) *Attorney, Agent, or Firm* — Pearne & Gordon LLP

(57) **CLAIM**  
The ornamental design for a basket, as shown and described.

**DESCRIPTION**

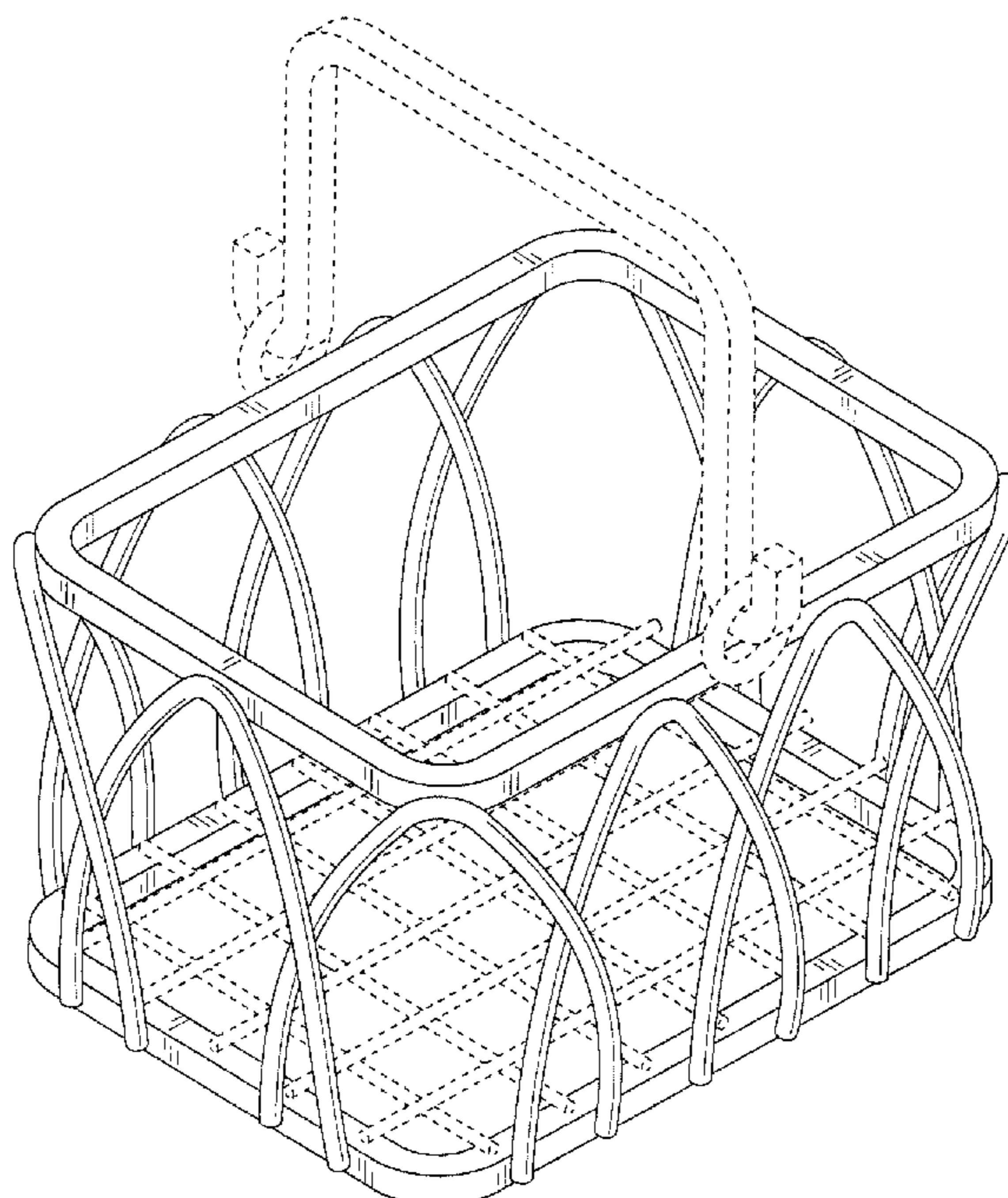
FIG. 1 is a perspective view of a basket showing our new design;  
FIG. 2 is a top plan view thereof;  
FIG. 3 is a front elevational view thereof;  
FIG. 4 is a right side elevational view thereof, the left side elevational view being identical; and,  
FIG. 5 is a bottom plan view thereof.  
The dotted-line showing in the drawings illustrates environmental matter and forms no part of the claimed design.

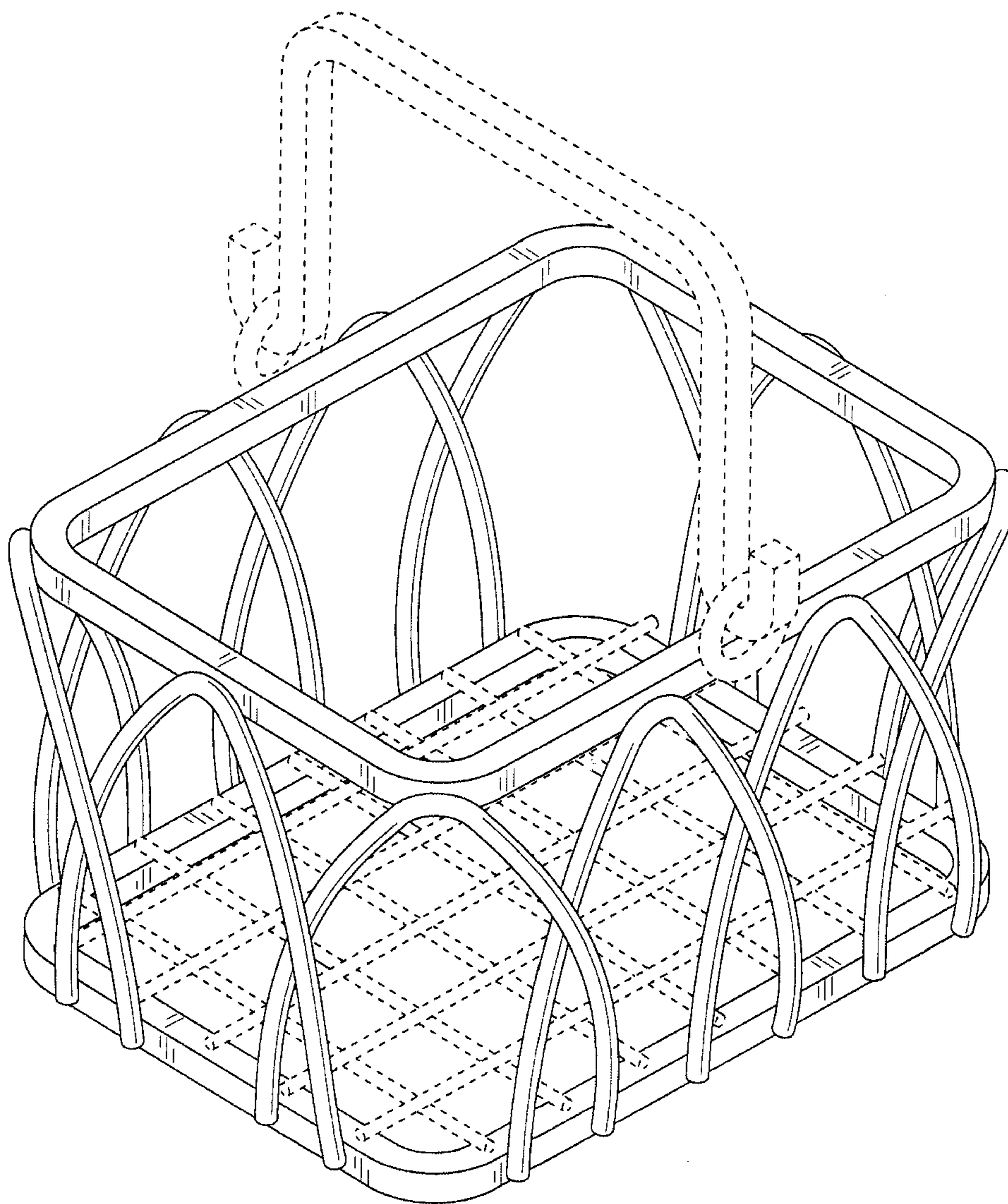
(56) **References Cited**

**U.S. PATENT DOCUMENTS**

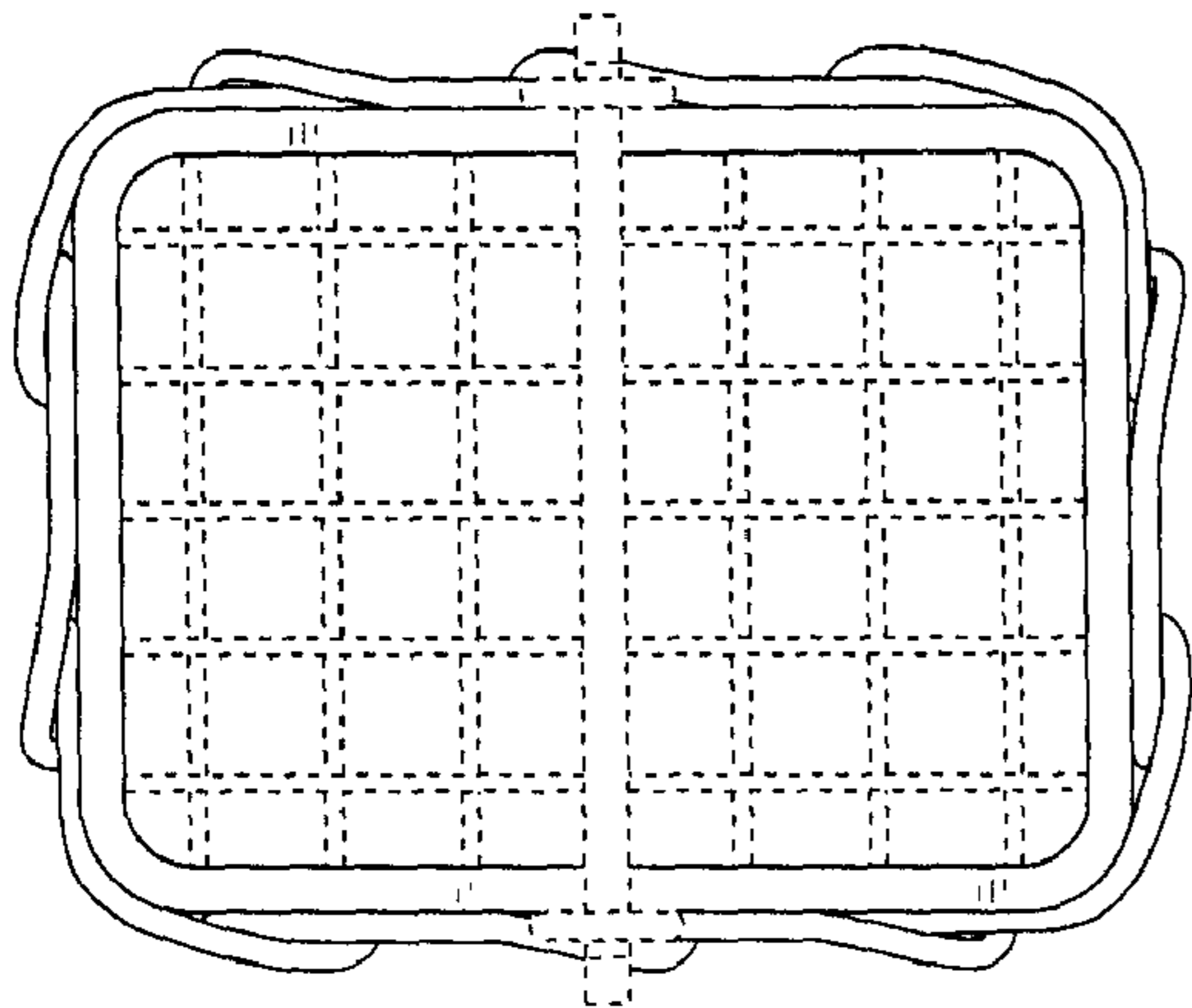
D193,215 S	*	7/1962	Fredrick	.....	D3/306
4,337,872 A	*	7/1982	Wright	.....	220/491
D296,601 S	*	7/1988	Chap	.....	D3/306
D382,710 S		8/1997	Henderson		
D399,381 S		10/1998	Hoernig		
D412,080 S		7/1999	Emery		

**1 Claim, 2 Drawing Sheets**

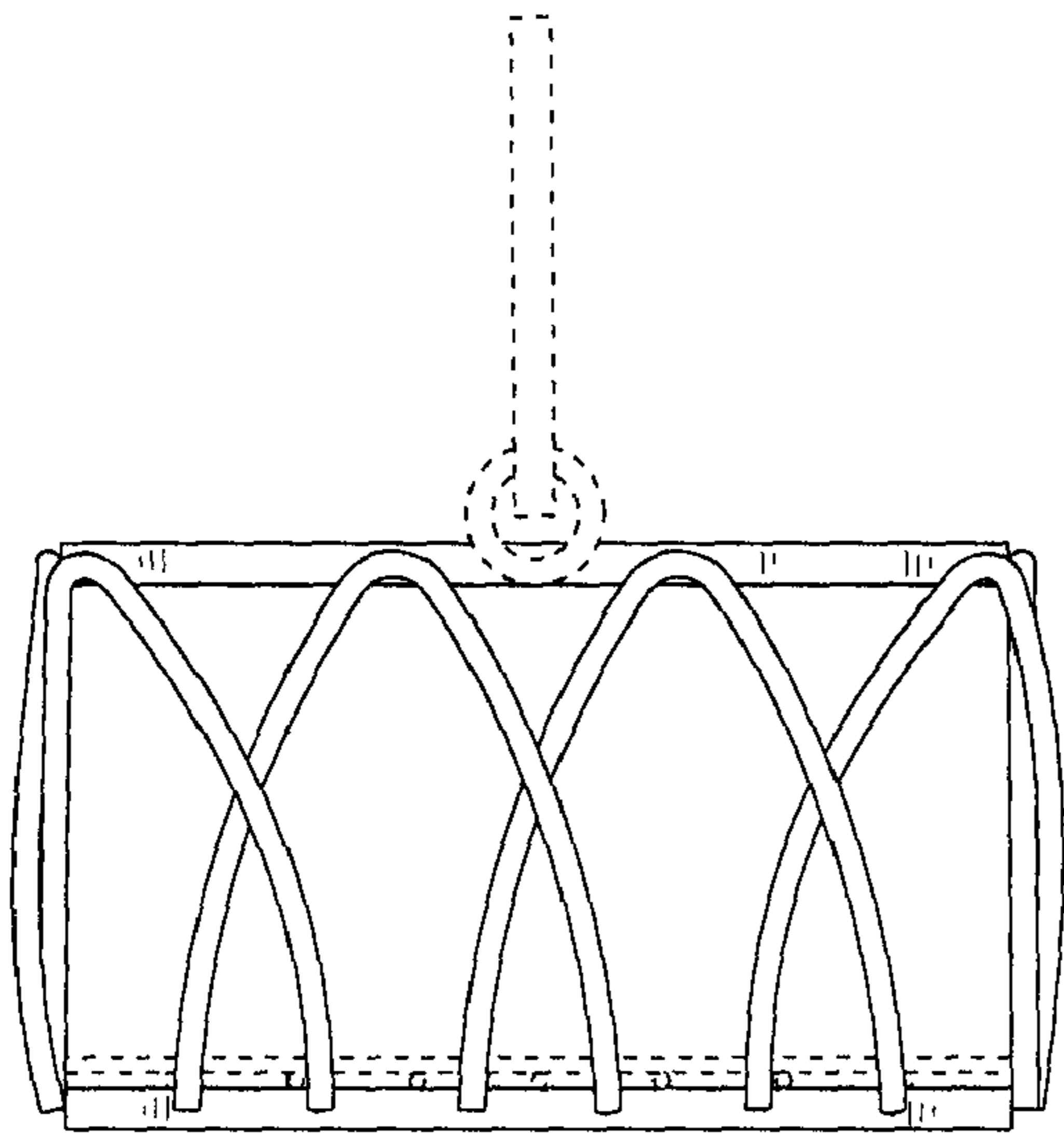




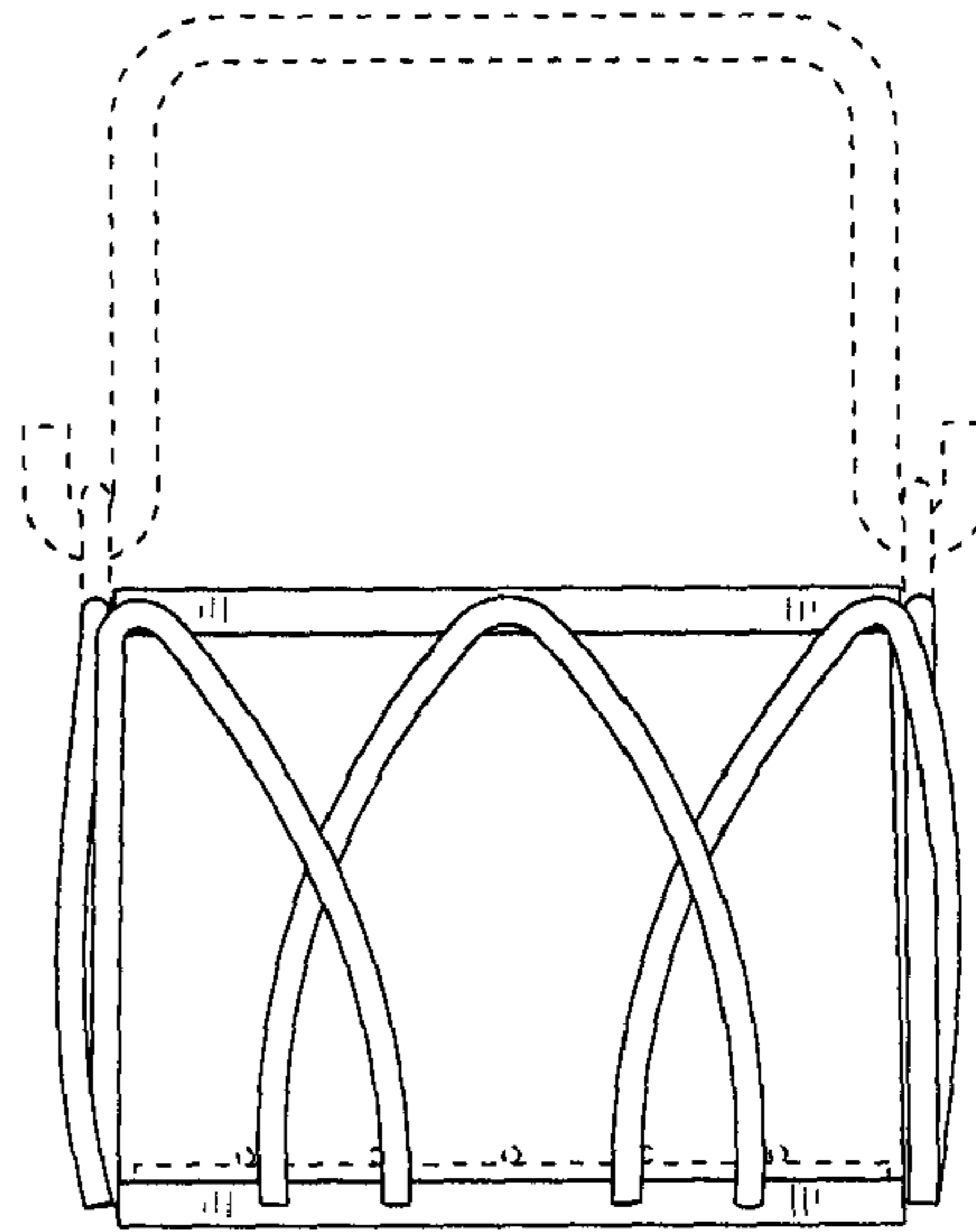
**FIG. 1**



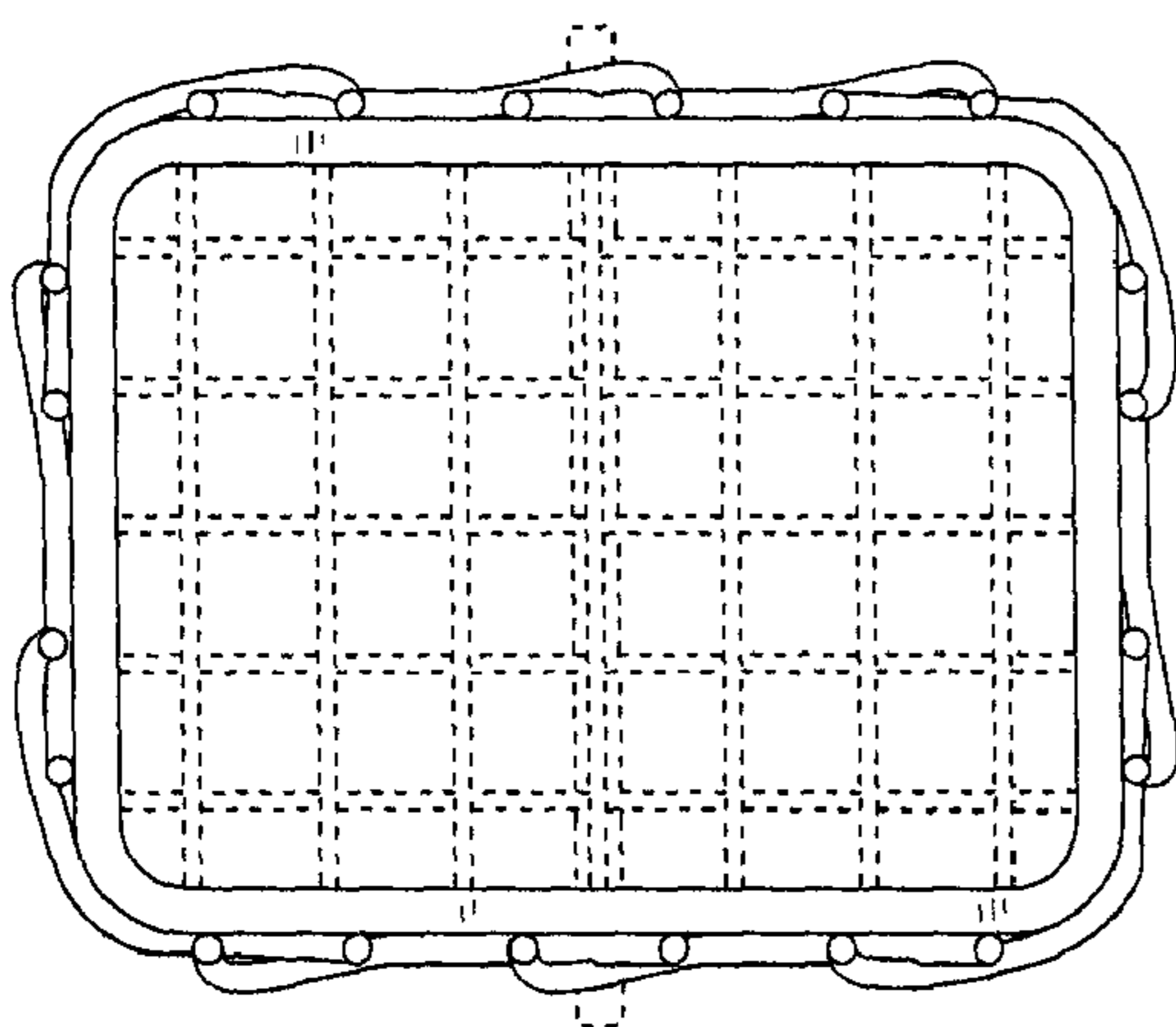
**FIG. 2**



**FIG. 3**



**FIG. 4**



**FIG. 5**