



US00D636996S

(12) **United States Design Patent**
Kokawa et al.

(10) **Patent No.:** **US D636,996 S**

(45) **Date of Patent:** **** May 3, 2011**

(54) **TOOL BOX**

(75) Inventors: **Kiyozumi Kokawa**, Anjo (JP);
Tomonori Kawase, Anjo (JP)

(73) Assignee: **Makita Corporation**, Anjo-shi (JP)

(**) Term: **14 Years**

(21) Appl. No.: **29/367,205**

(22) Filed: **Aug. 4, 2010**

(30) **Foreign Application Priority Data**

Feb. 10, 2010 (JP) 2010-003069
Feb. 10, 2010 (JP) 2010-003070

(51) **LOC (9) Cl.** **03-01**

(52) **U.S. Cl.** **D3/282; D3/905**

(58) **Field of Classification Search** D3/273,
D3/274, 276, 280–284, 286, 288, 291, 292,
D3/294–295, 905; 206/349, 372–379; 220/523,
220/527

See application file for complete search history.

(56) **References Cited**

U.S. PATENT DOCUMENTS

D218,267 S * 8/1970 Belokin, Jr. D3/282
D351,504 S * 10/1994 Tarozzi D3/276
D360,757 S * 8/1995 Snetting et al. D3/282
6,267,238 B1 * 7/2001 Miller et al. 206/349
D458,751 S * 6/2002 Hsieh D3/294
D481,026 S * 10/2003 Chunn et al. D3/291
D484,309 S * 12/2003 Lee D3/282
D505,549 S * 5/2005 Hosking D3/905

D516,807 S * 3/2006 Richardson et al. D3/273
D572,479 S * 7/2008 Buck et al. D3/282
D600,015 S * 9/2009 Wenchel et al. D3/294
D608,094 S * 1/2010 Concari et al. D3/282
D620,255 S * 7/2010 Chang D3/282

FOREIGN PATENT DOCUMENTS

EP 001161459 9/2009

* cited by examiner

Primary Examiner — Jennifer Rivard

(74) *Attorney, Agent, or Firm* — Oliff & Berridge, PLC

(57) **CLAIM**

The ornamental design for a tool box, as shown and described.

DESCRIPTION

FIG. 1 is a perspective view of a tool box showing our new design;

FIG. 2 is a front elevation view thereof;

FIG. 3 is a rear elevation view thereof;

FIG. 4 is a left side elevation view thereof;

FIG. 5 is a right side elevation view thereof;

FIG. 6 is a top plan view thereof; and

FIG. 7 is a bottom plan view thereof;

FIG. 8 is a perspective view of the second embodiment of the tool box;

FIG. 9 is a front elevation view thereof;

FIG. 10 is a rear elevation view thereof;

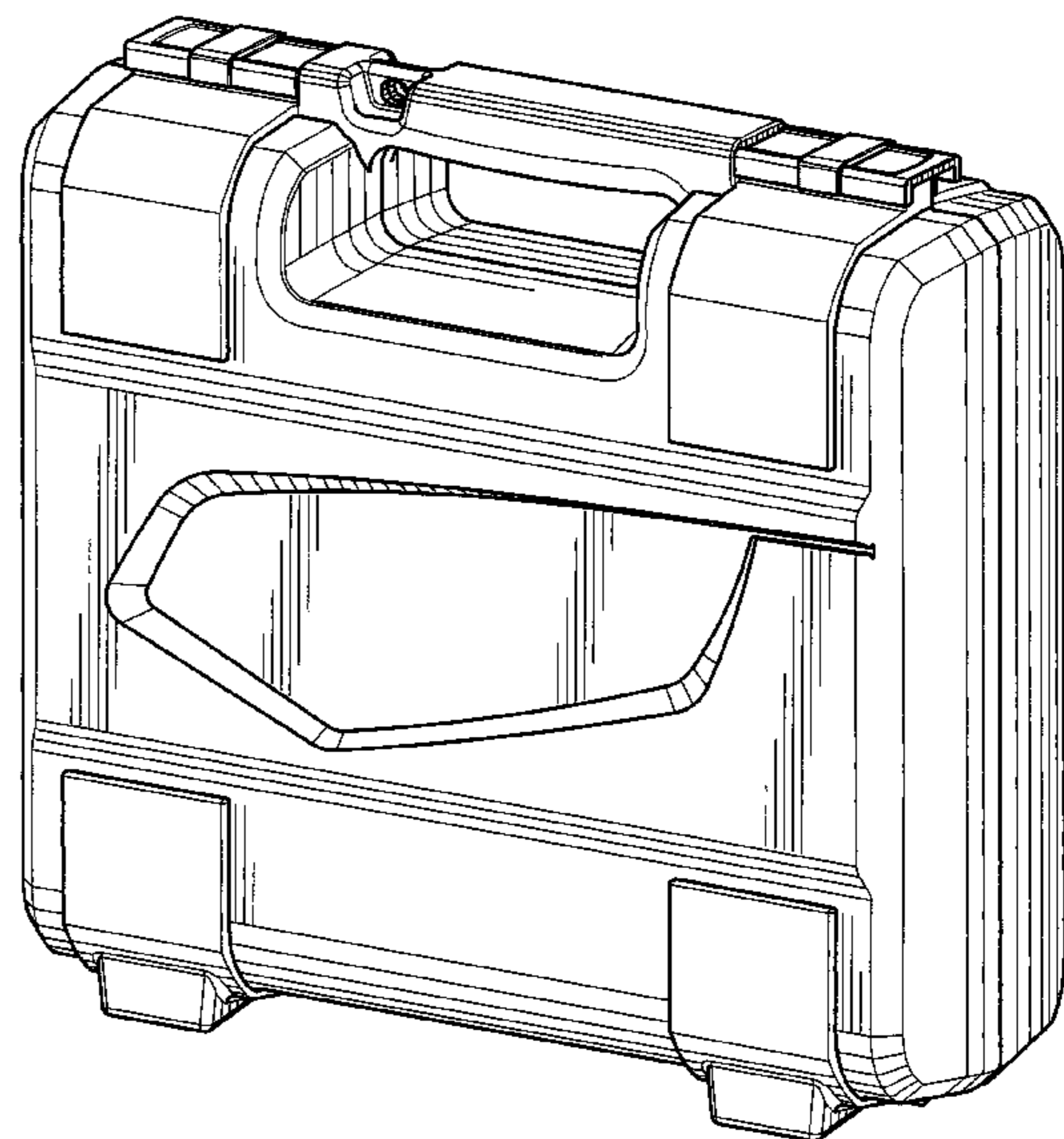
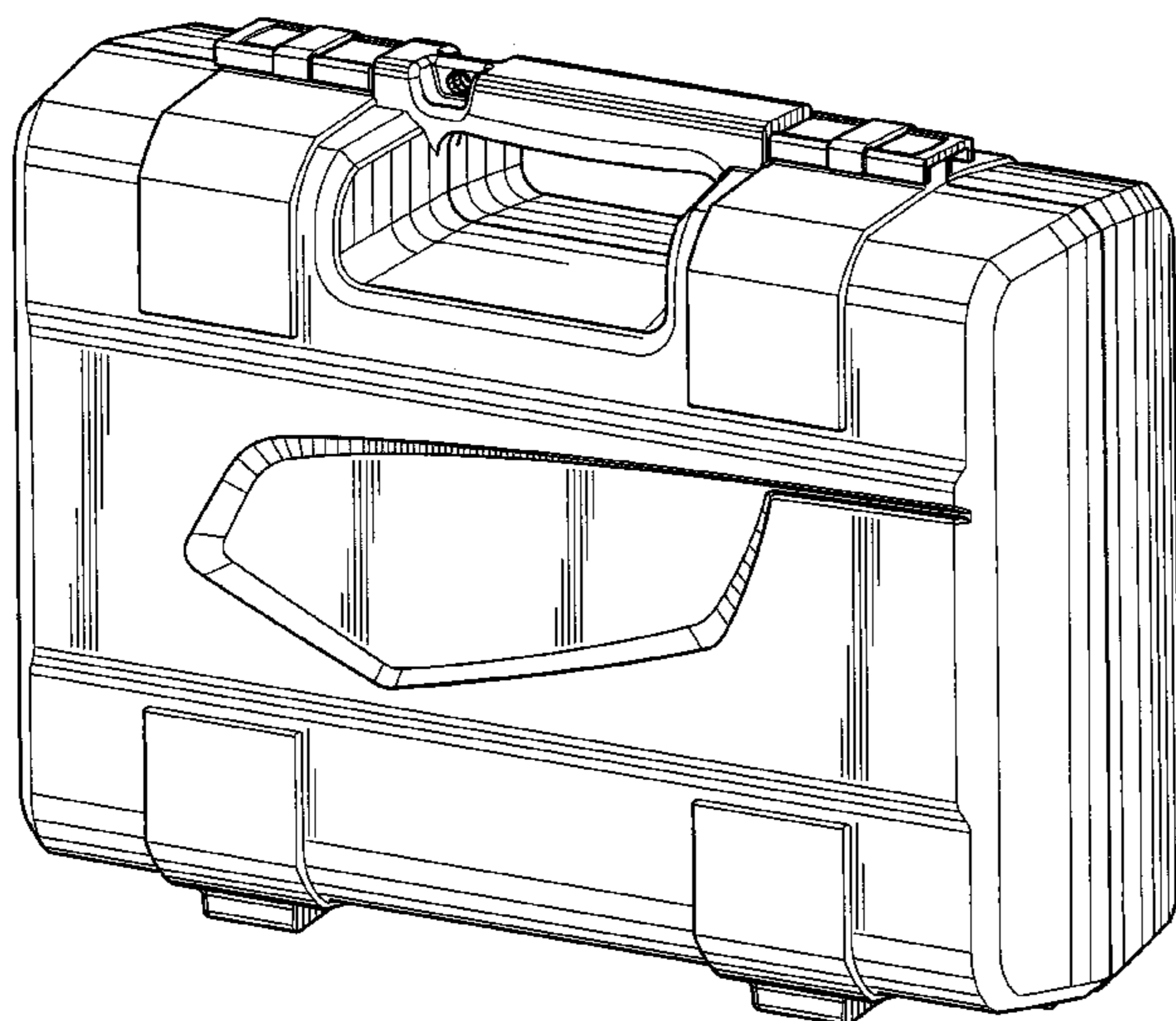
FIG. 11 is a left side elevation view thereof;

FIG. 12 is a right side elevation view thereof;

FIG. 13 is a top plan view thereof; and,

FIG. 14 is a bottom plan view thereof;

1 Claim, 10 Drawing Sheets



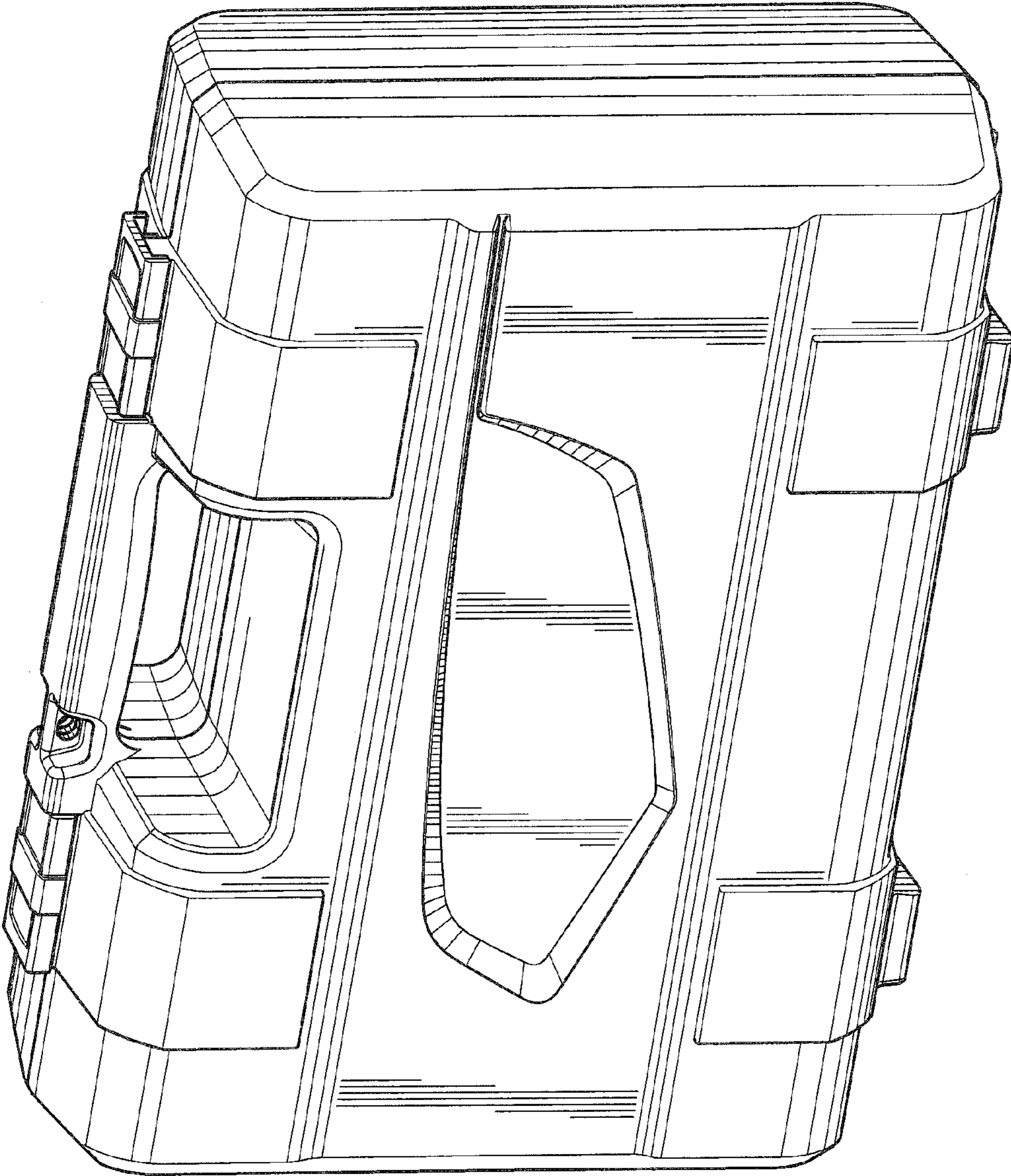


FIG. 1

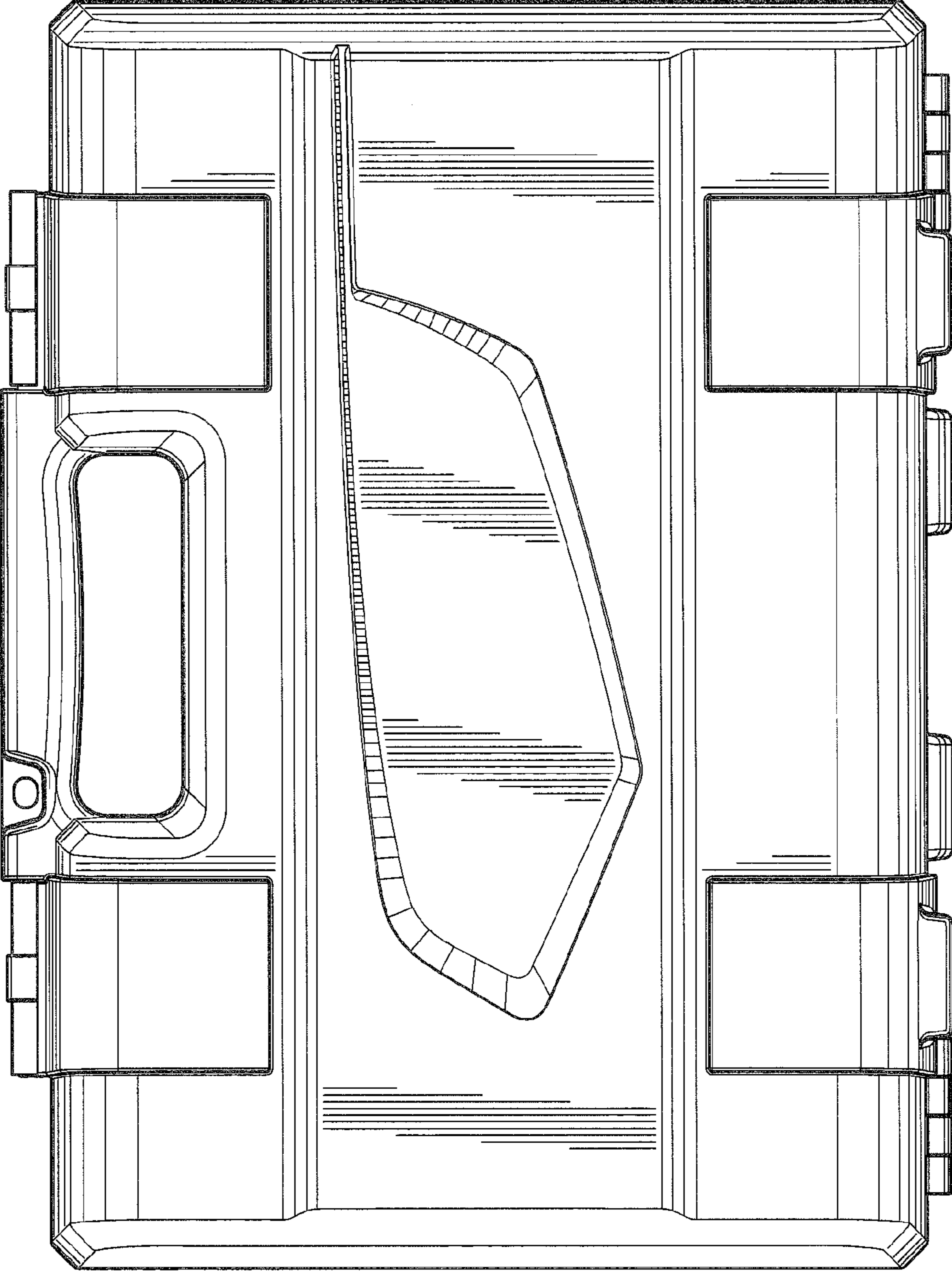


FIG. 2

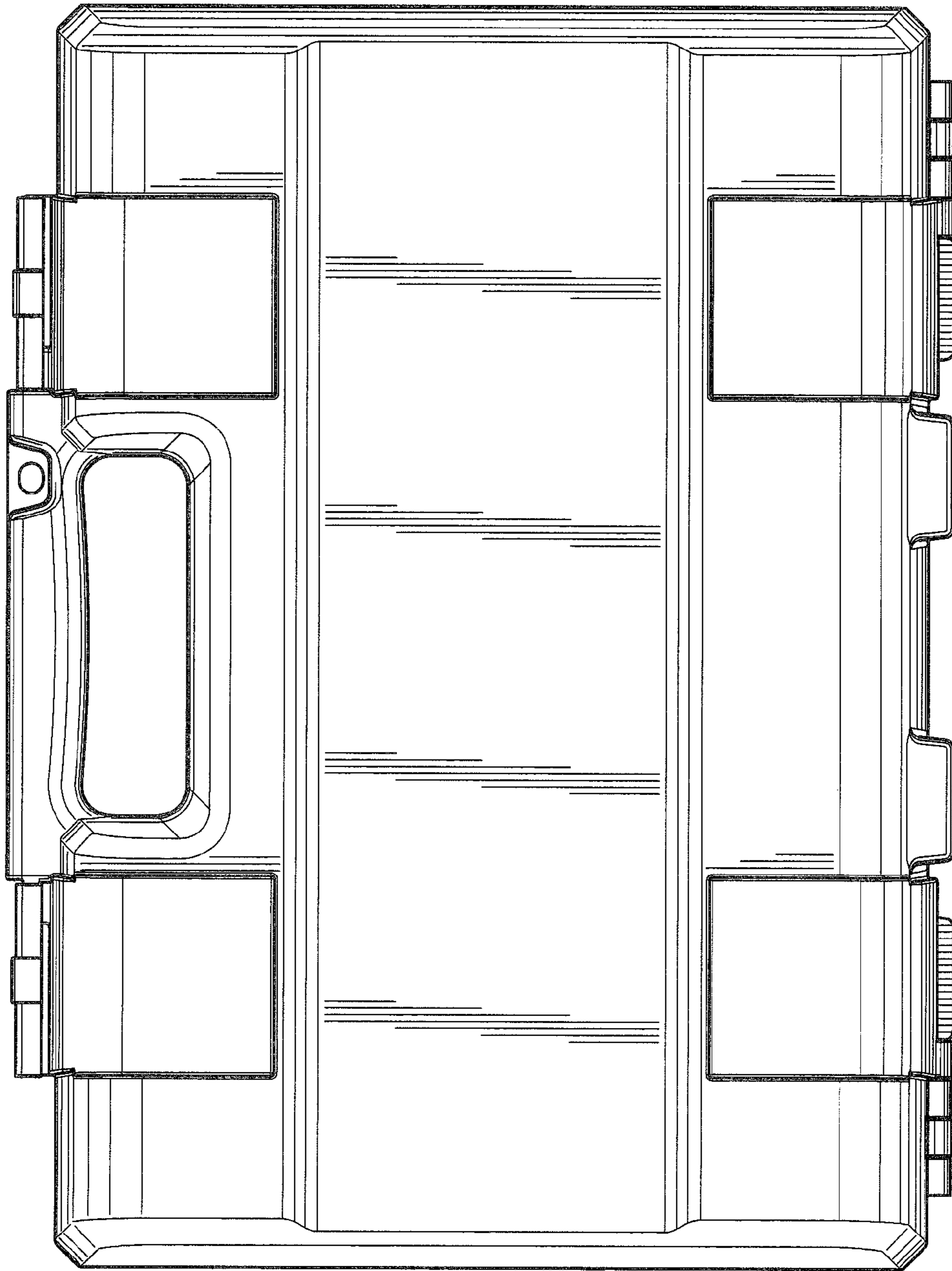


FIG. 3

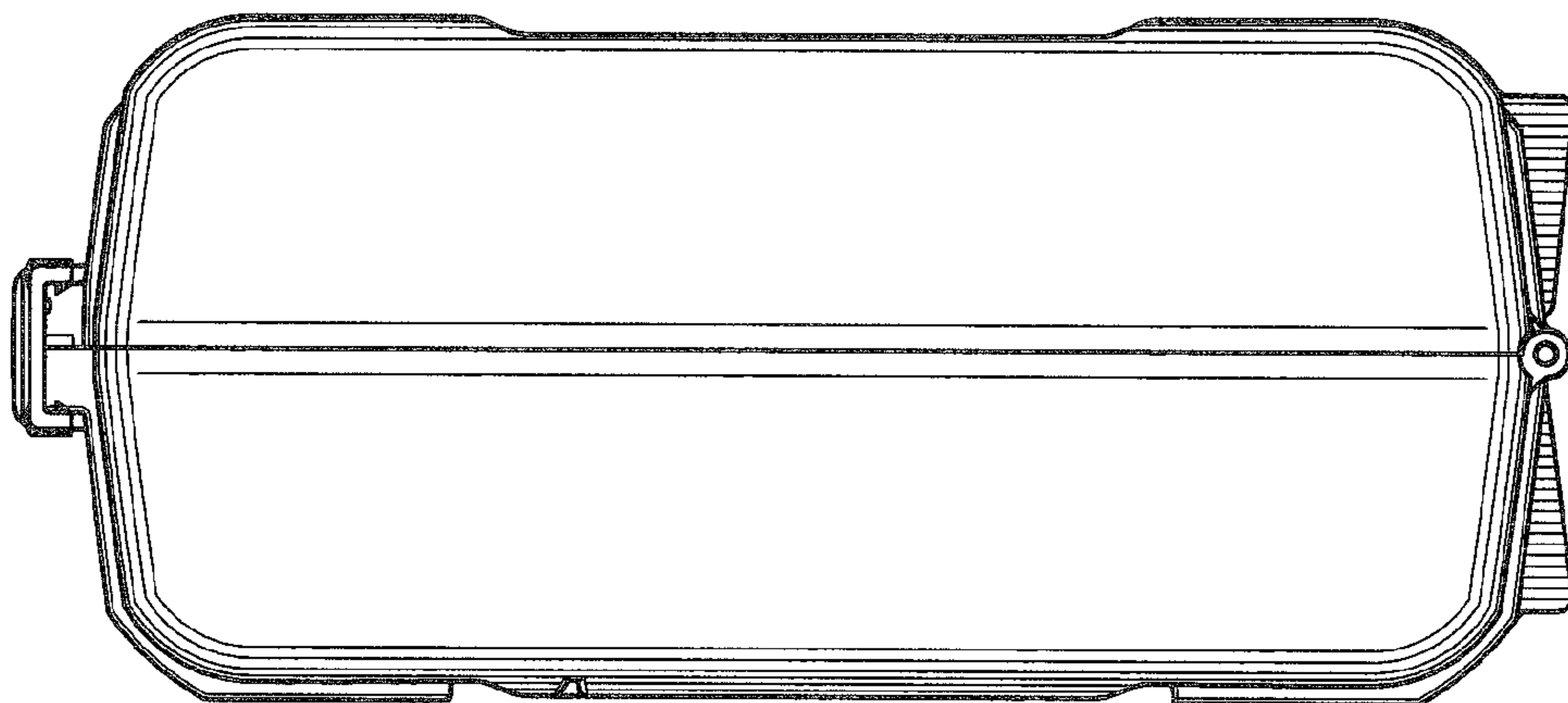


FIG. 4

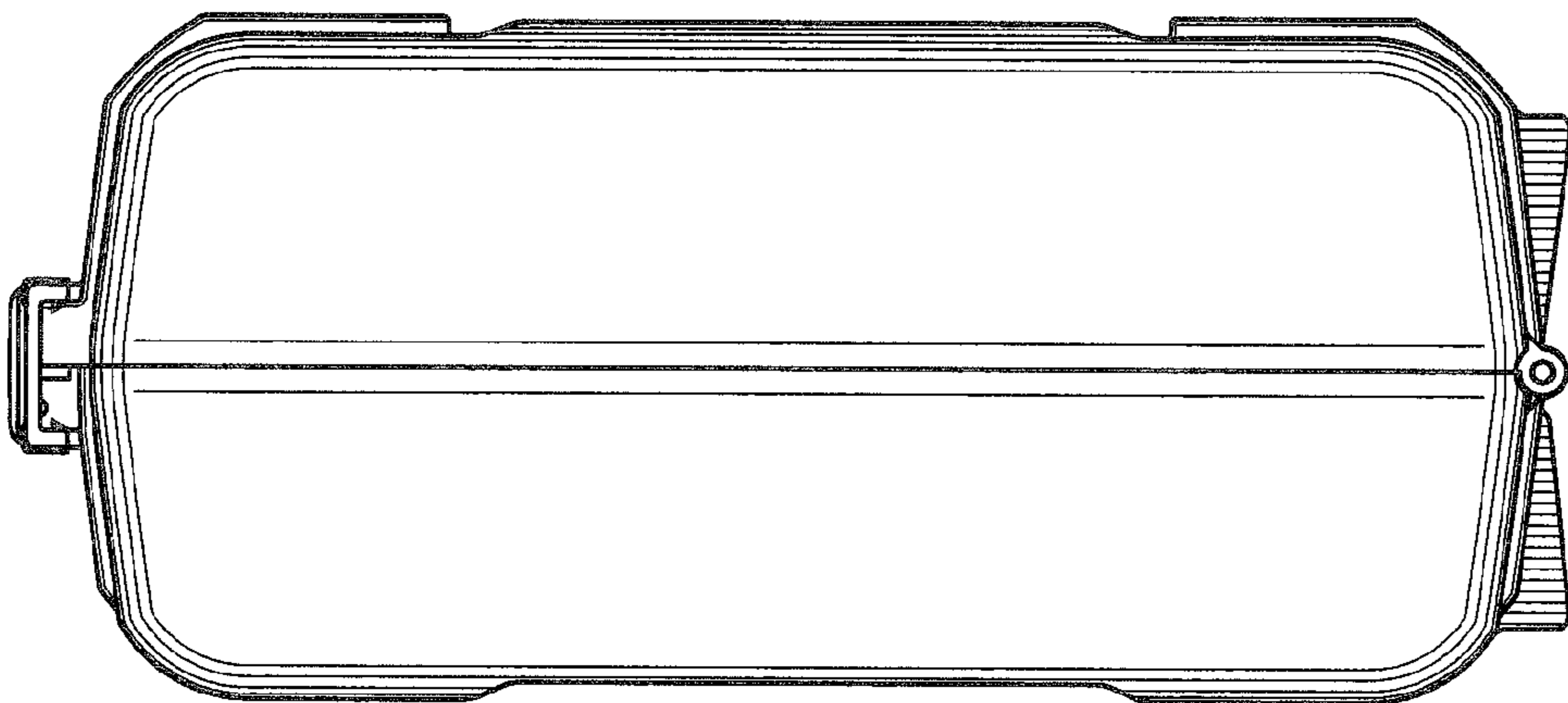


FIG. 5

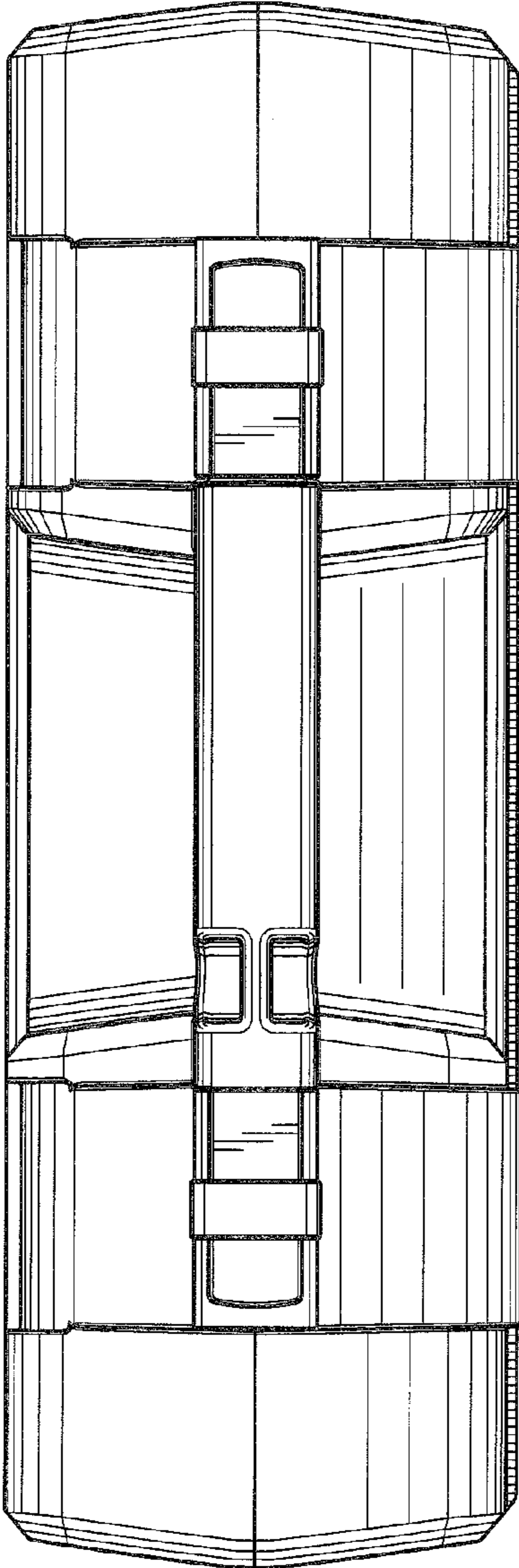


FIG. 6

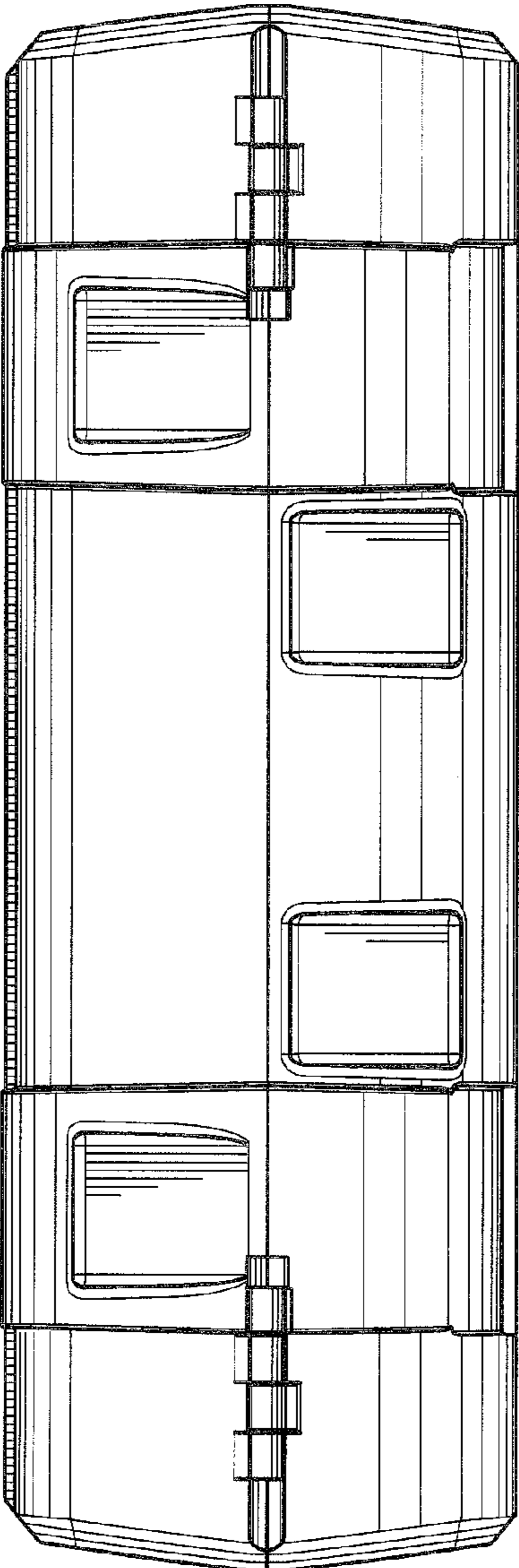


FIG. 7

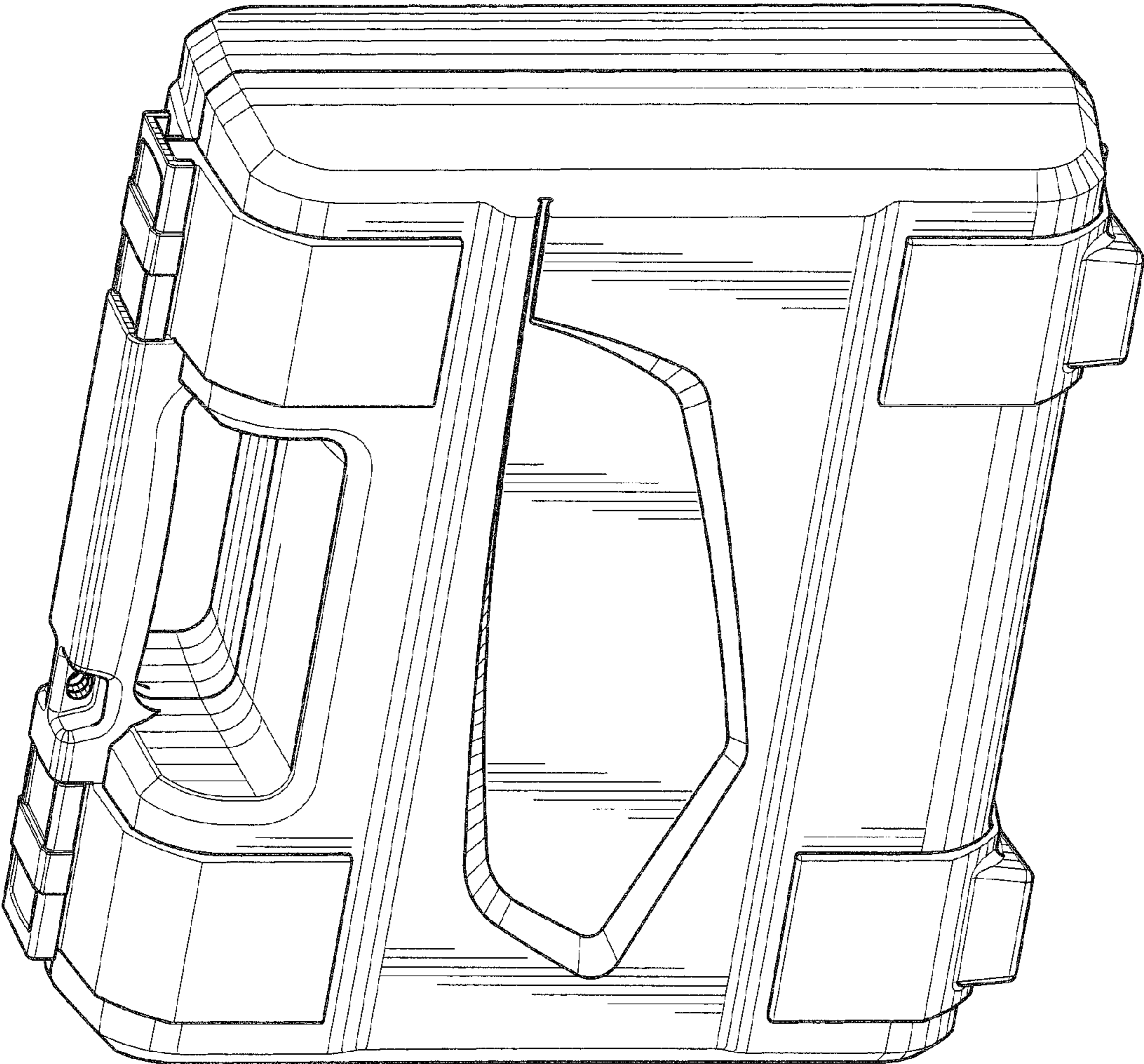


FIG. 8

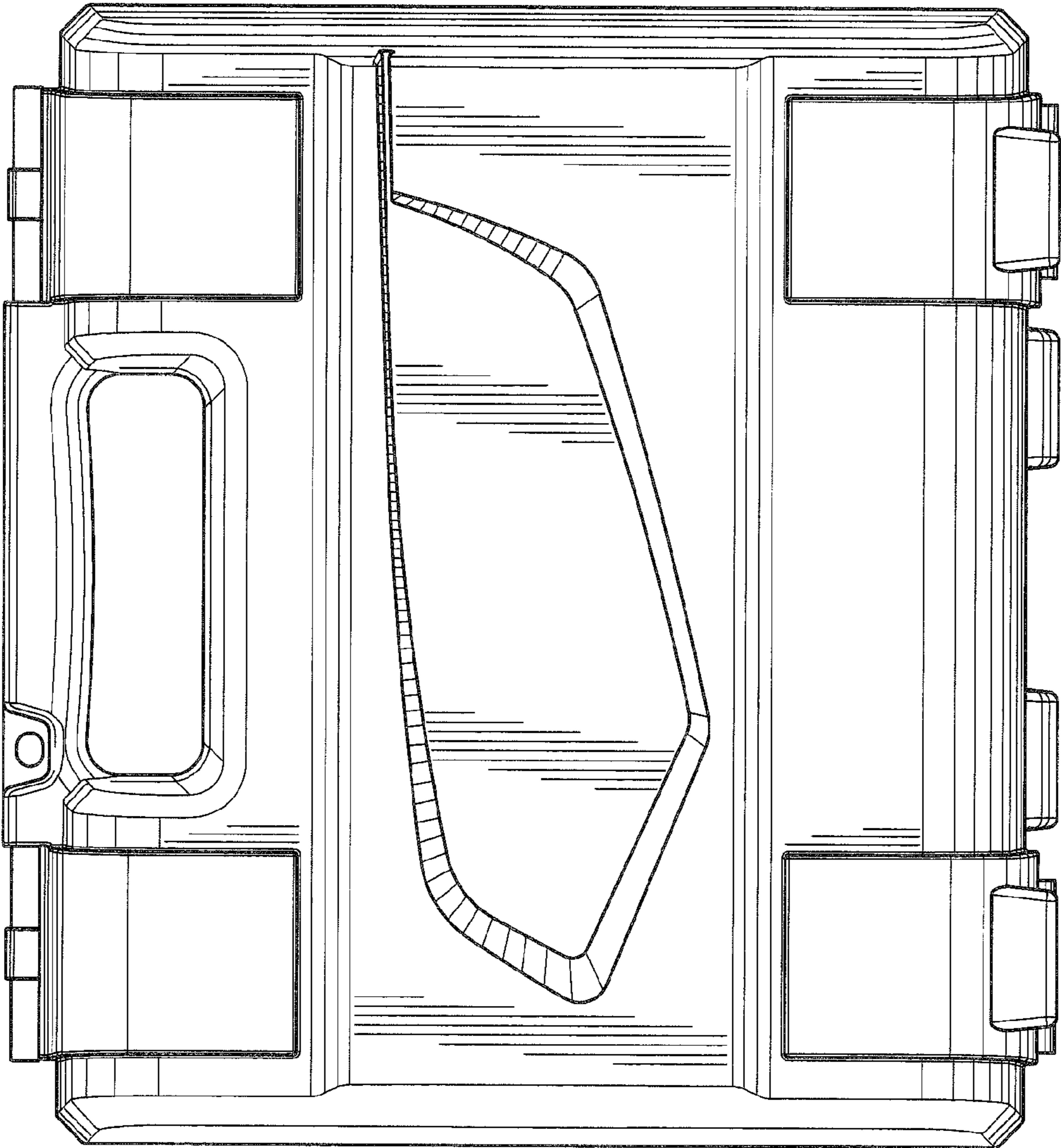


FIG. 9

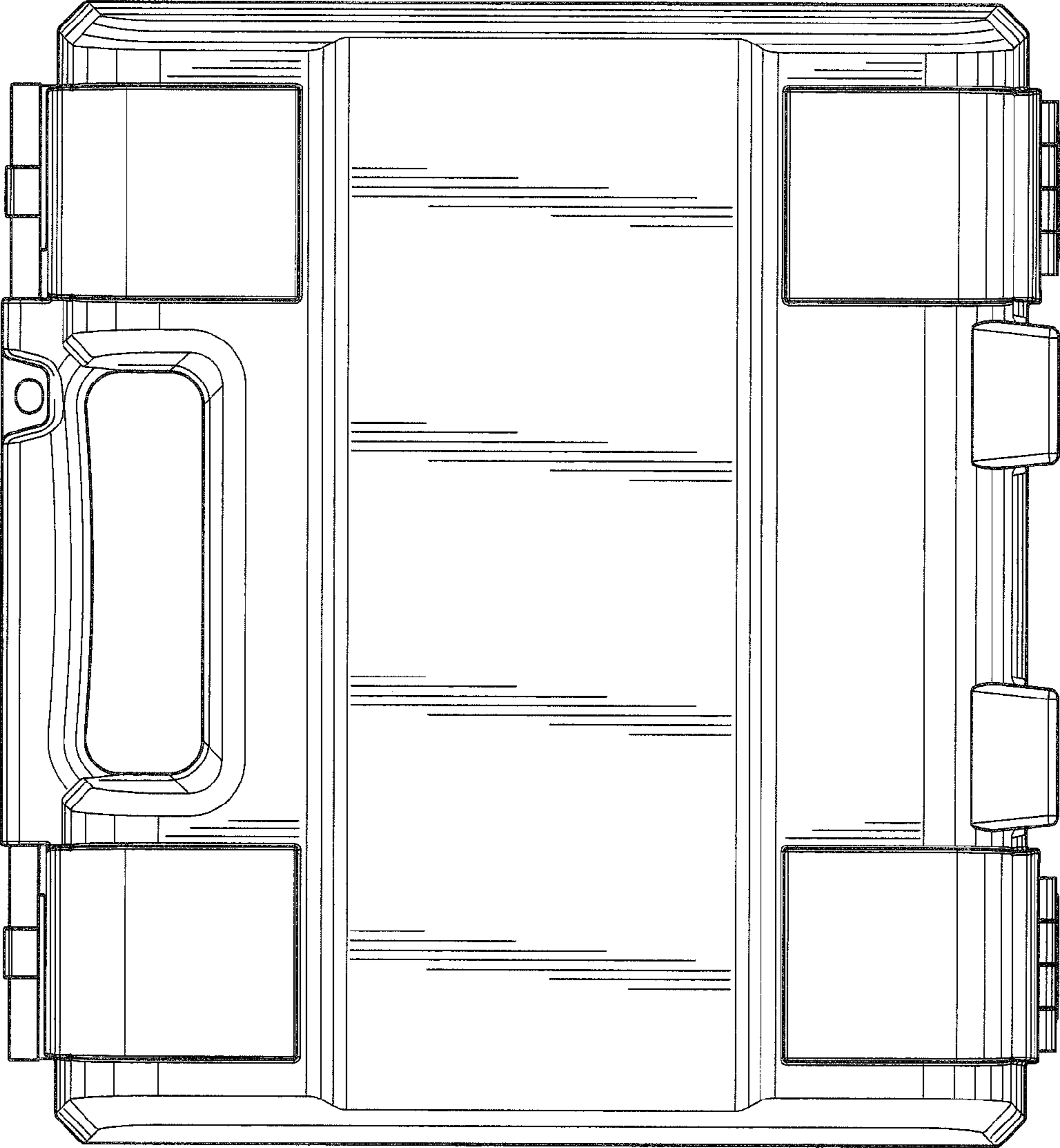


FIG. 10

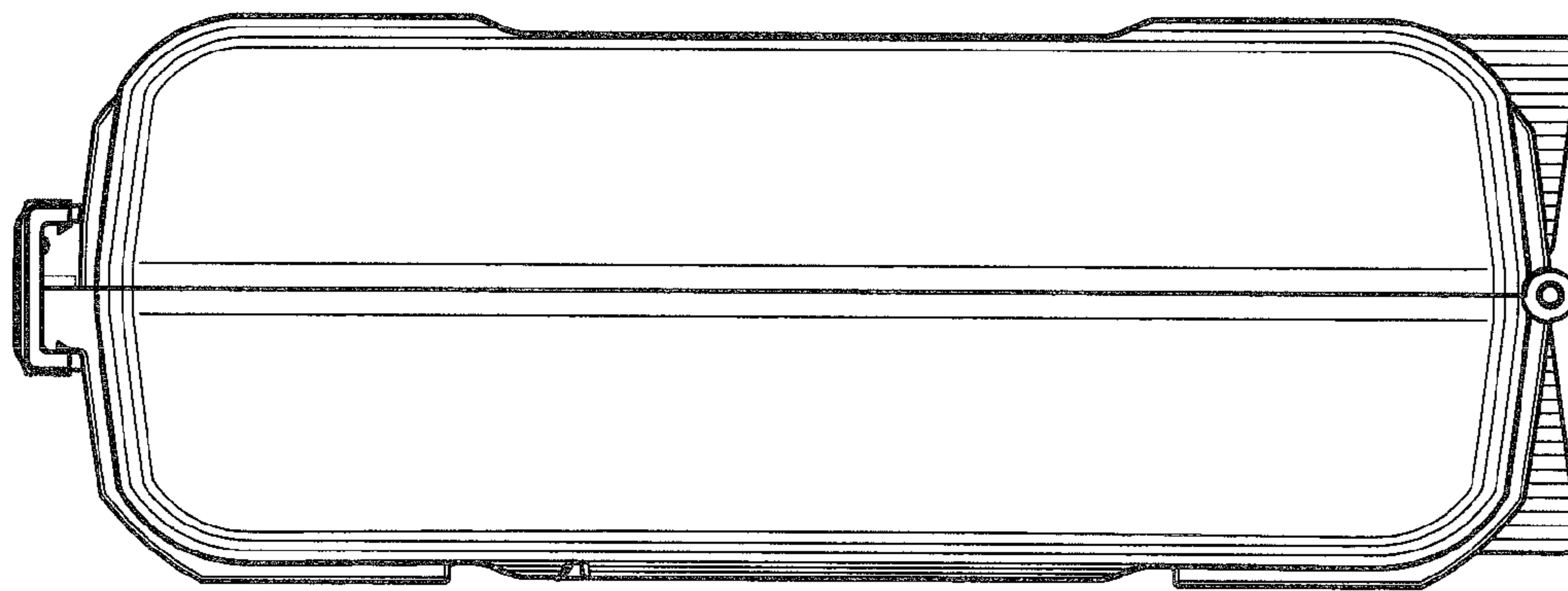


FIG. 12

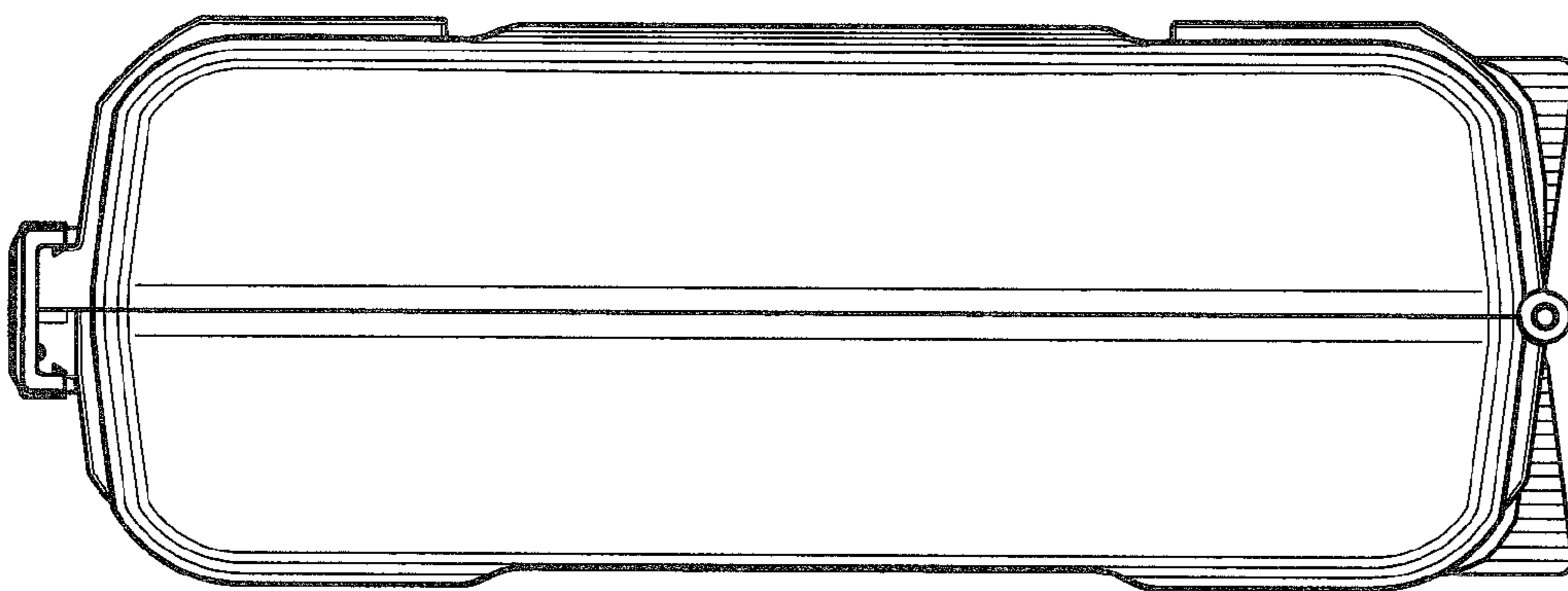


FIG. 11

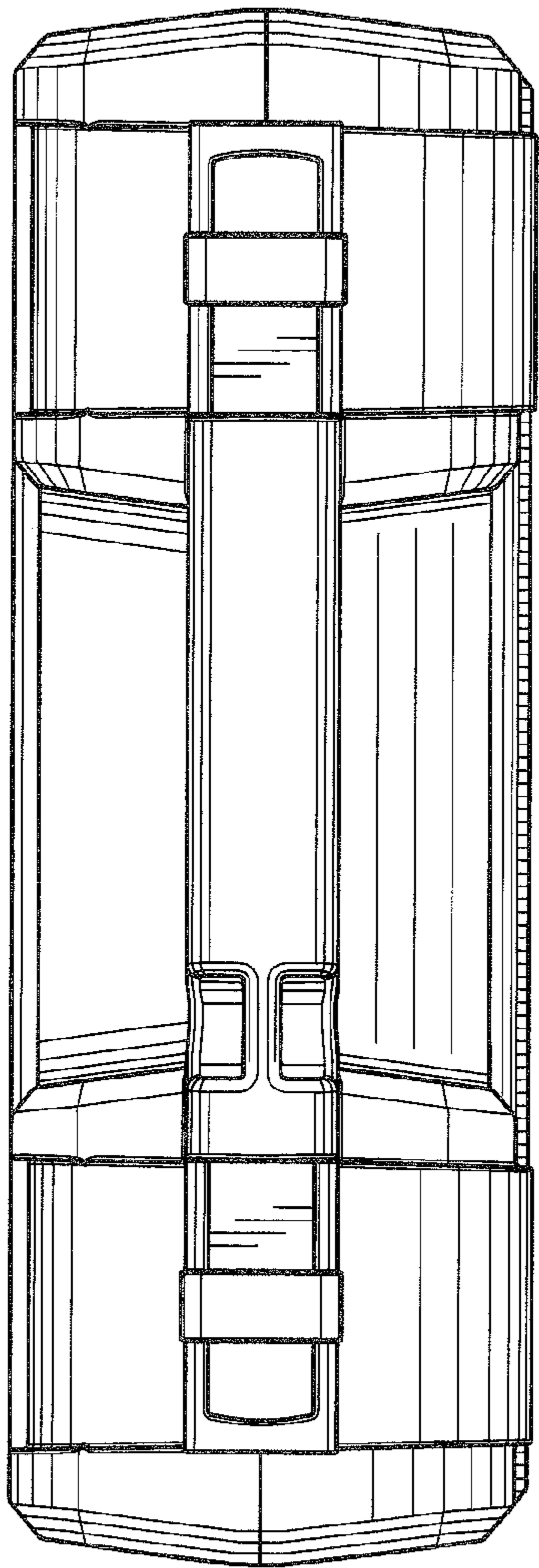


FIG. 13

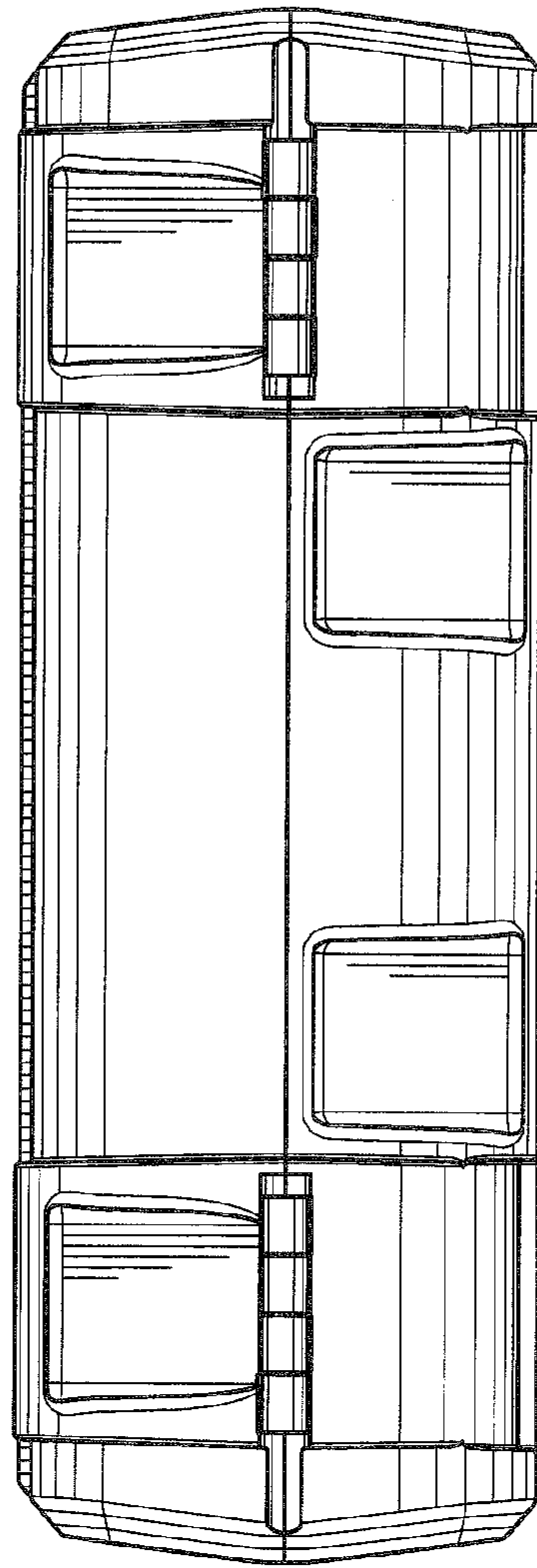


FIG. 14