



US00D636995S

(12) **United States Design Patent**  
**Morkemo**

(10) **Patent No.:** **US D636,995 S**

(45) **Date of Patent:** **\*\* May 3, 2011**

(54) **STROLLER PACK**

(75) Inventor: **Anne Morkemo**, Trondheim (NO)

(73) Assignee: **MyNorse AS**, Trondheim (NO)

(\*\*) Term: **14 Years**

(21) Appl. No.: **29/347,233**

(22) Filed: **Nov. 5, 2009**

(30) **Foreign Application Priority Data**

May 5, 2009 (NO) ..... 20090245

(51) **LOC (9) Cl.** ..... **03-01**

(52) **U.S. Cl.** ..... **D3/279**

(58) **Field of Classification Search** ..... D3/272,  
D3/273, 276, 279, 283, 285, 289, 291, 292;  
190/100-127, 18 A, 1, 15.1

See application file for complete search history.

(56) **References Cited**

**U.S. PATENT DOCUMENTS**

D287,779 S \* 1/1987 Slany ..... D34/25  
2005/0017039 A1\* 1/2005 Costa et al. .... 224/576

2005/0077135 A1\* 4/2005 Drew et al. .... 190/102  
2008/0012258 A1\* 1/2008 Townsend ..... 280/47.38  
2009/0255770 A1\* 10/2009 Slater ..... 190/1

\* cited by examiner

*Primary Examiner* — Jennifer Rivard

(74) *Attorney, Agent, or Firm* — Dennison, Schultz & MacDonald

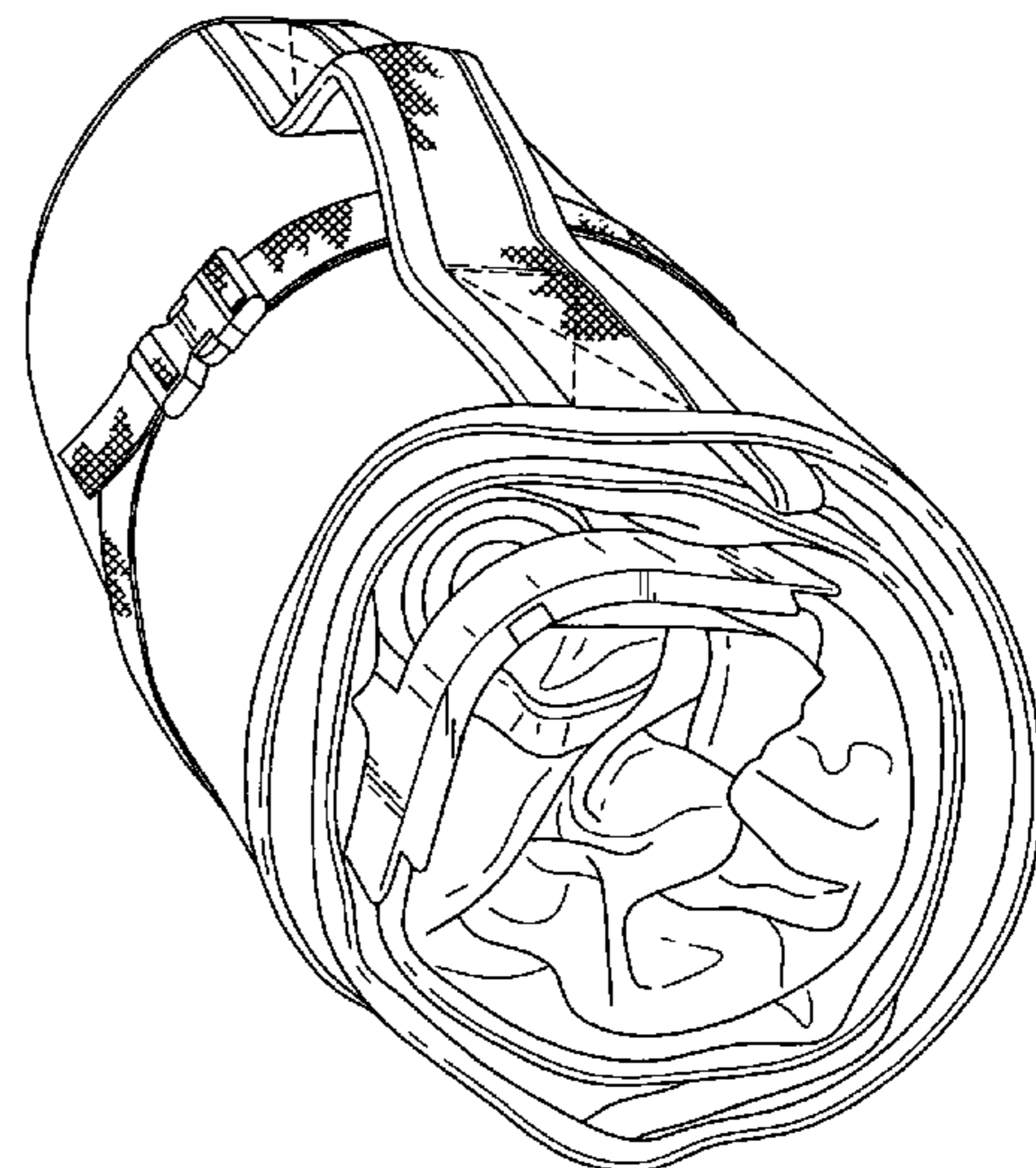
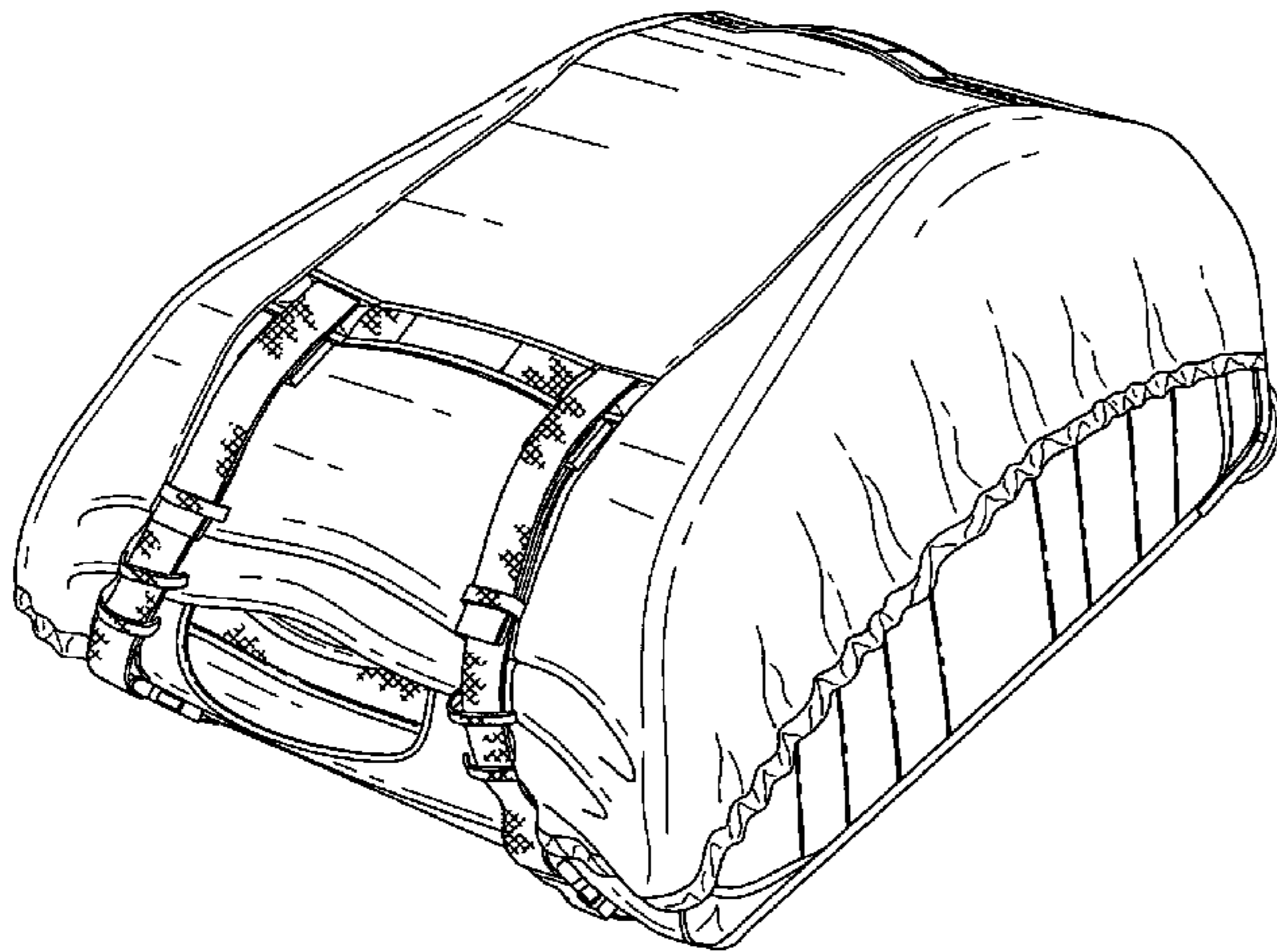
(57) **CLAIM**

The ornamental design for a stroller pack, as shown and described.

**DESCRIPTION**

FIG. 1 is top front right side perspective view of my new design in an assembled configuration;  
FIG. 2 is a bottom rear left side perspective view thereof;  
FIG. 3 is a top plan view thereof;  
FIG. 4 is a right side elevational view thereof, the left side being a mirror image;  
FIG. 5 is a top front right side perspective view of my new design in a rolled-up configuration;  
FIG. 6 is a bottom rear left side perspective view thereof;  
FIG. 7 is a top perspective view of my new design in an open configuration; and,  
FIG. 8 is a bottom perspective view of my new design in an open configuration.  
The stroller pack is a wheeled, cover for a baby stroller.

**1 Claim, 5 Drawing Sheets**



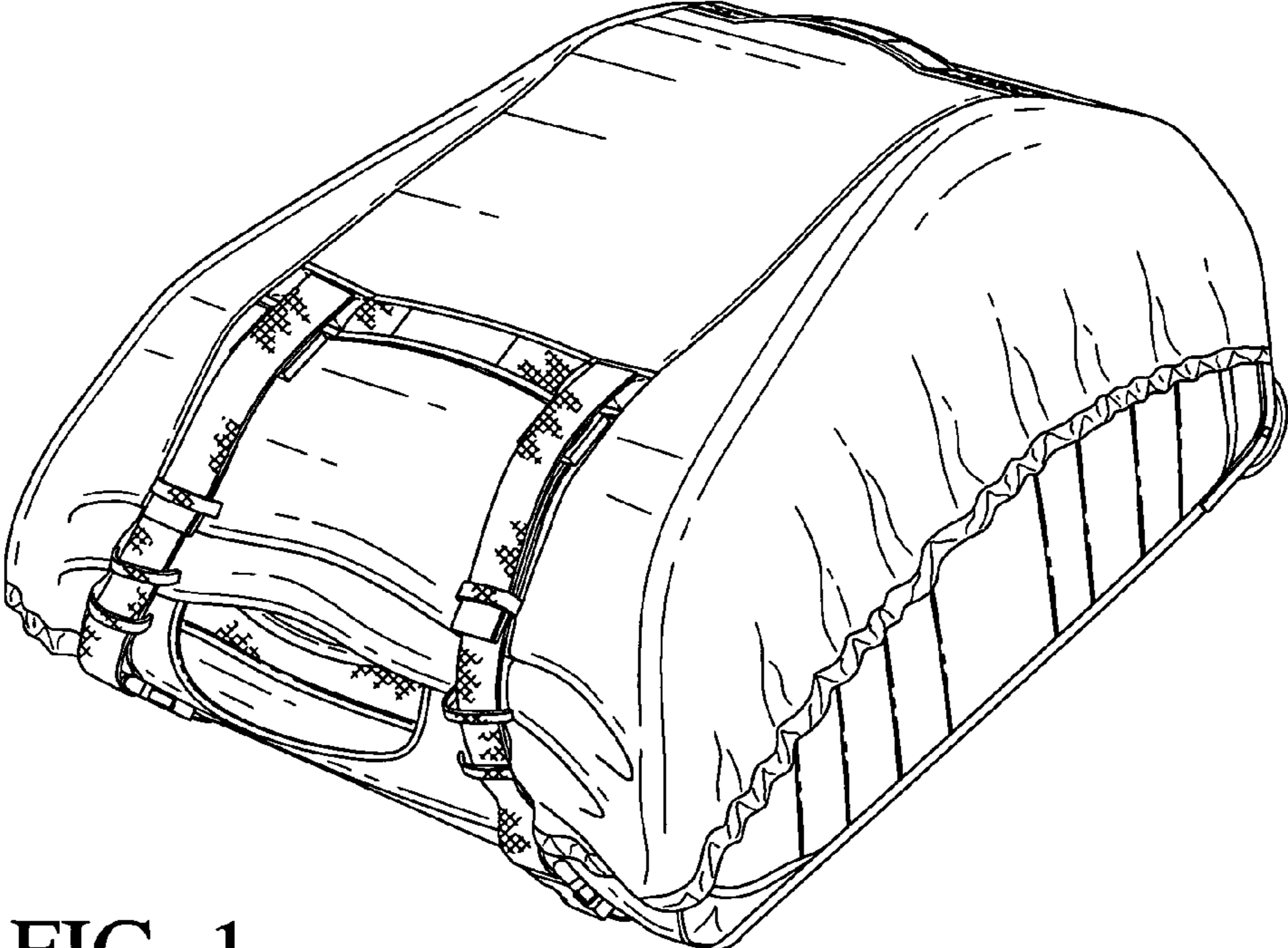


FIG. 1

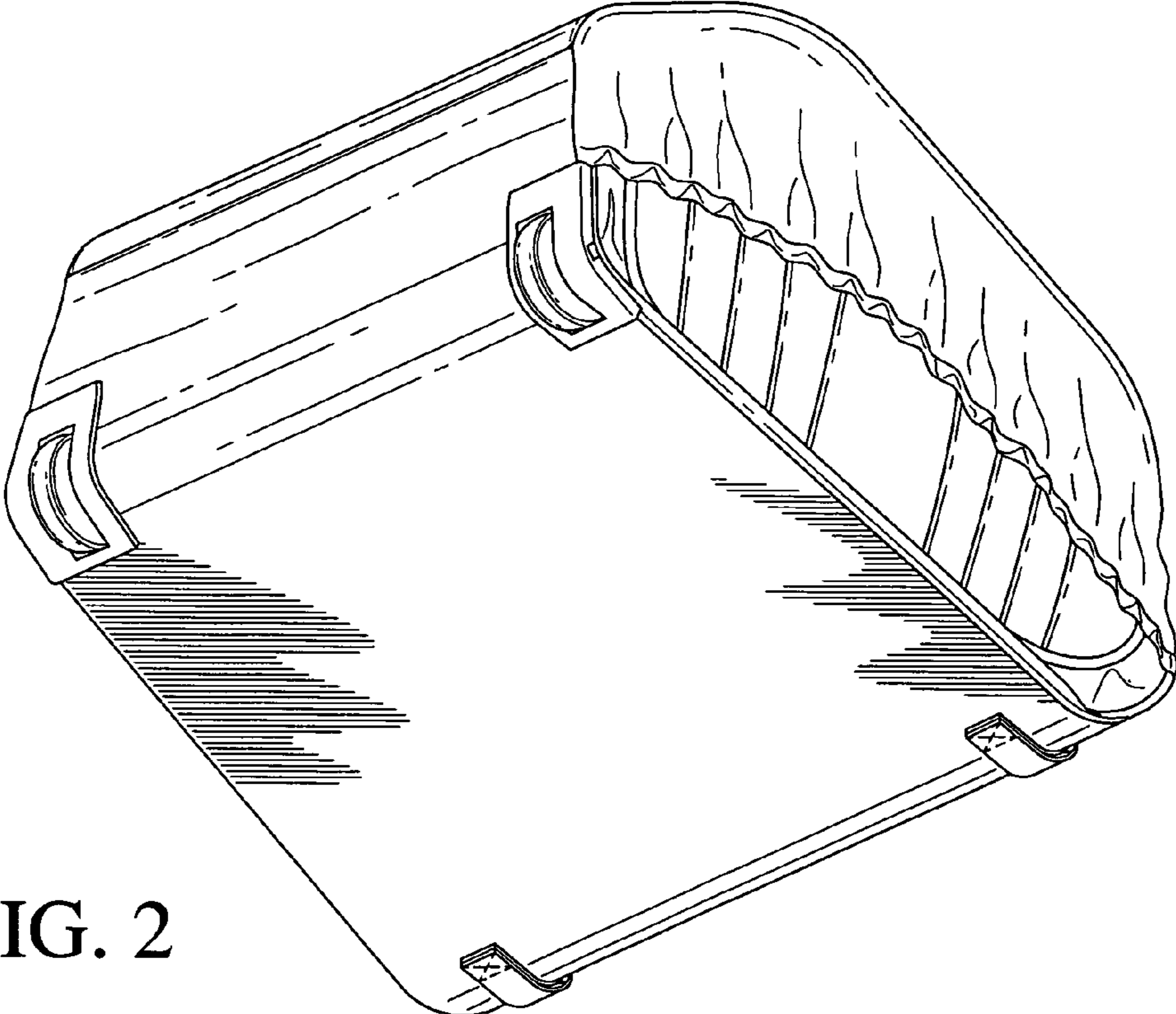


FIG. 2

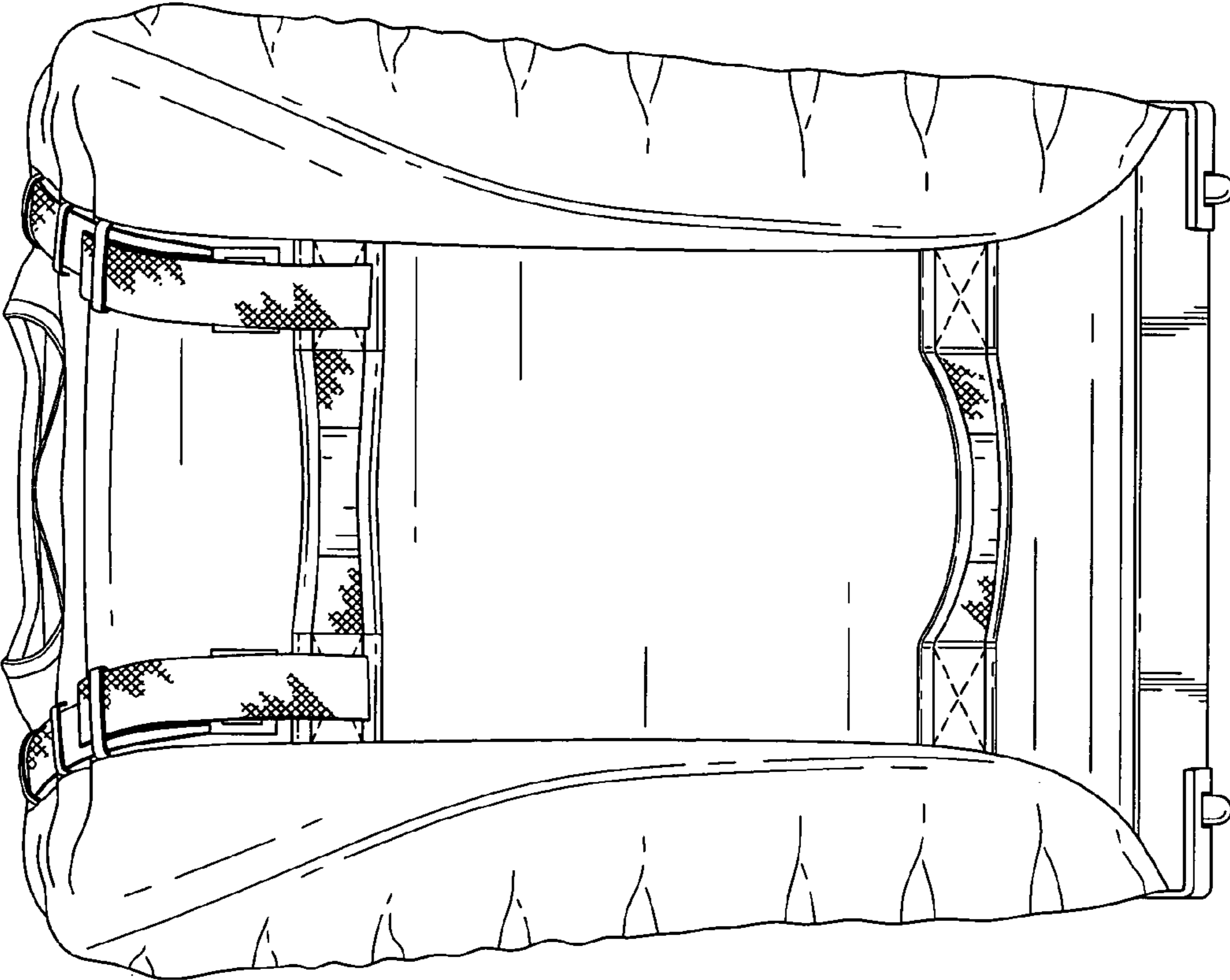


FIG. 3

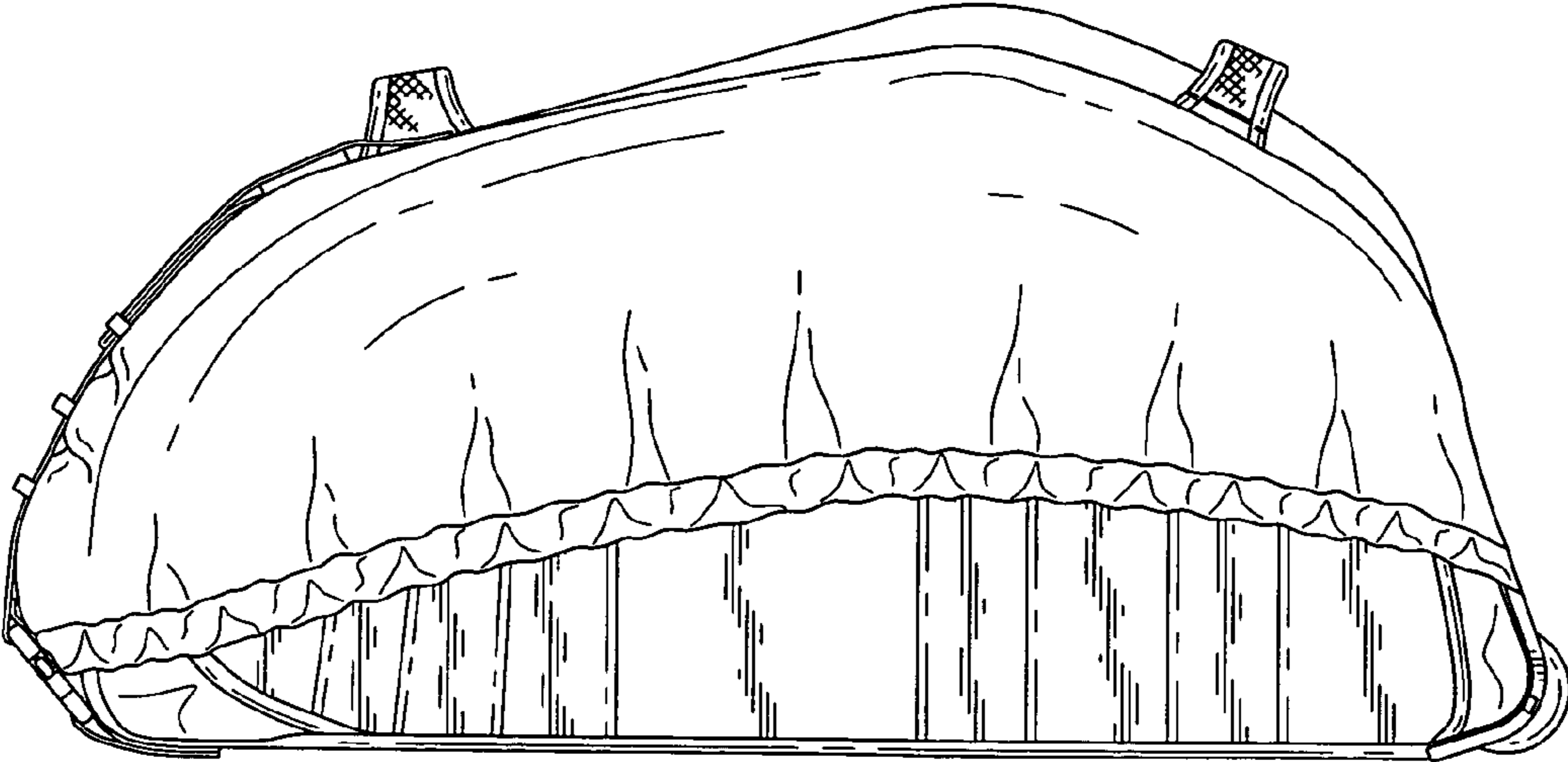


FIG. 4

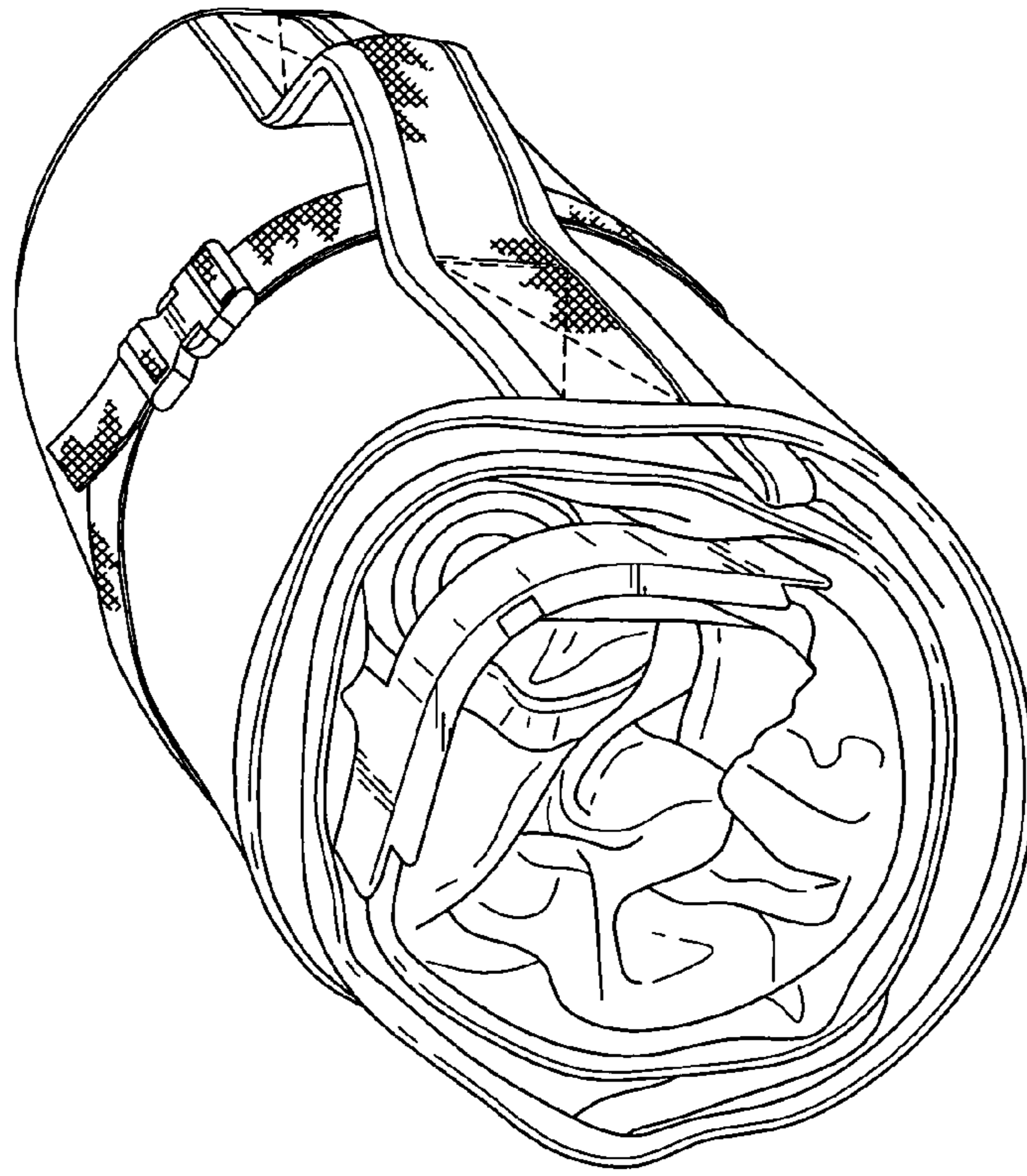


FIG. 5

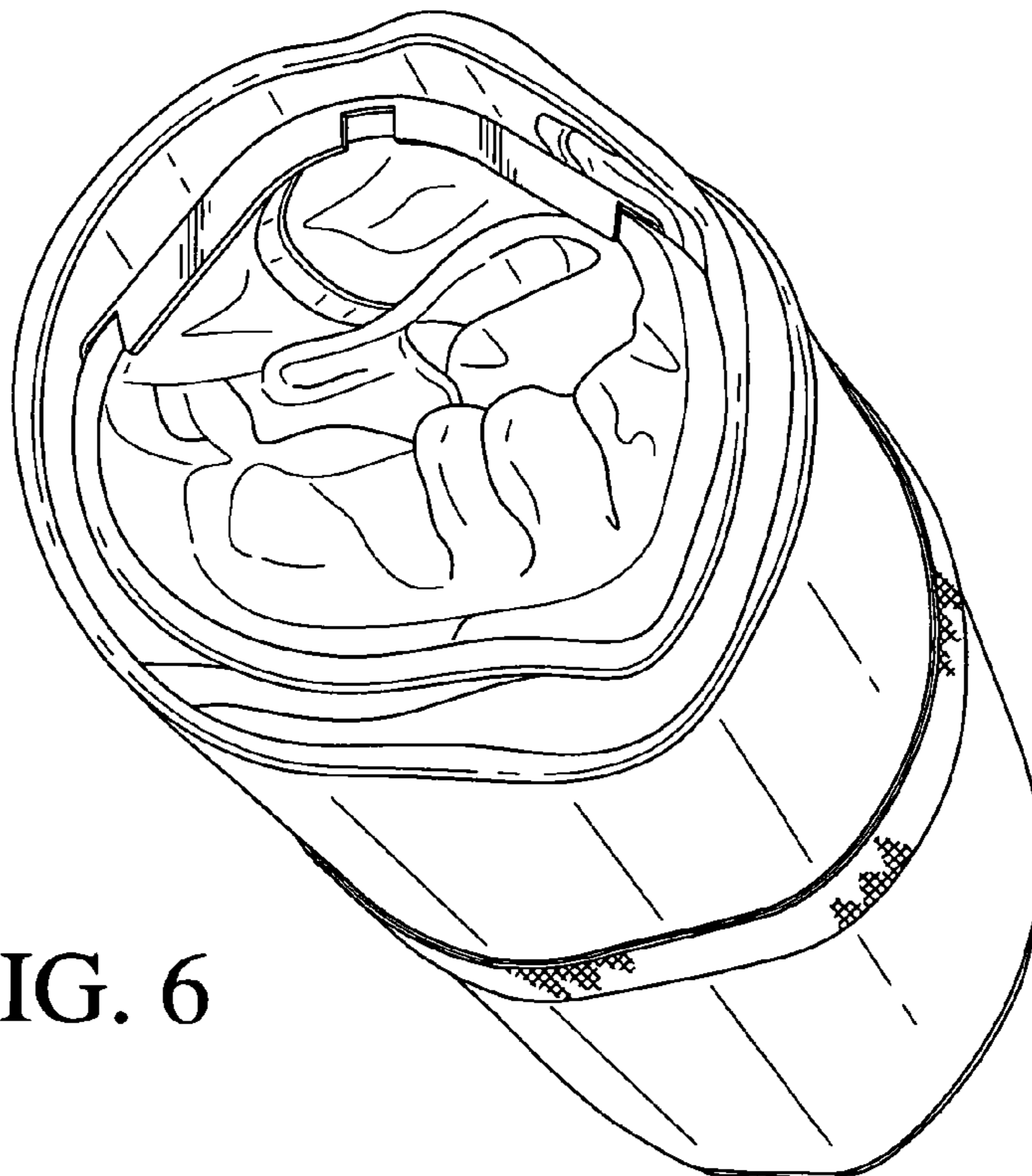


FIG. 6

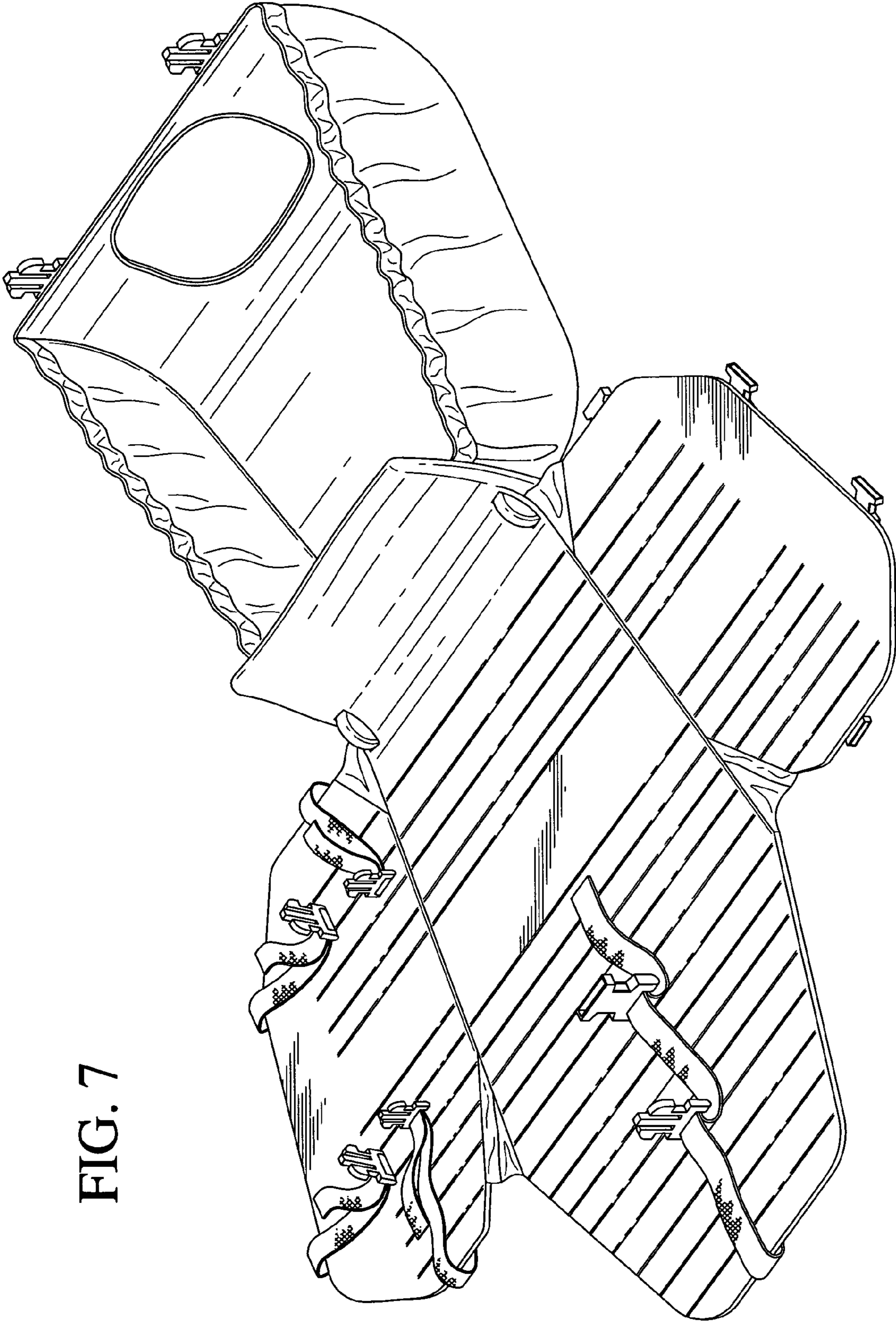


FIG. 7

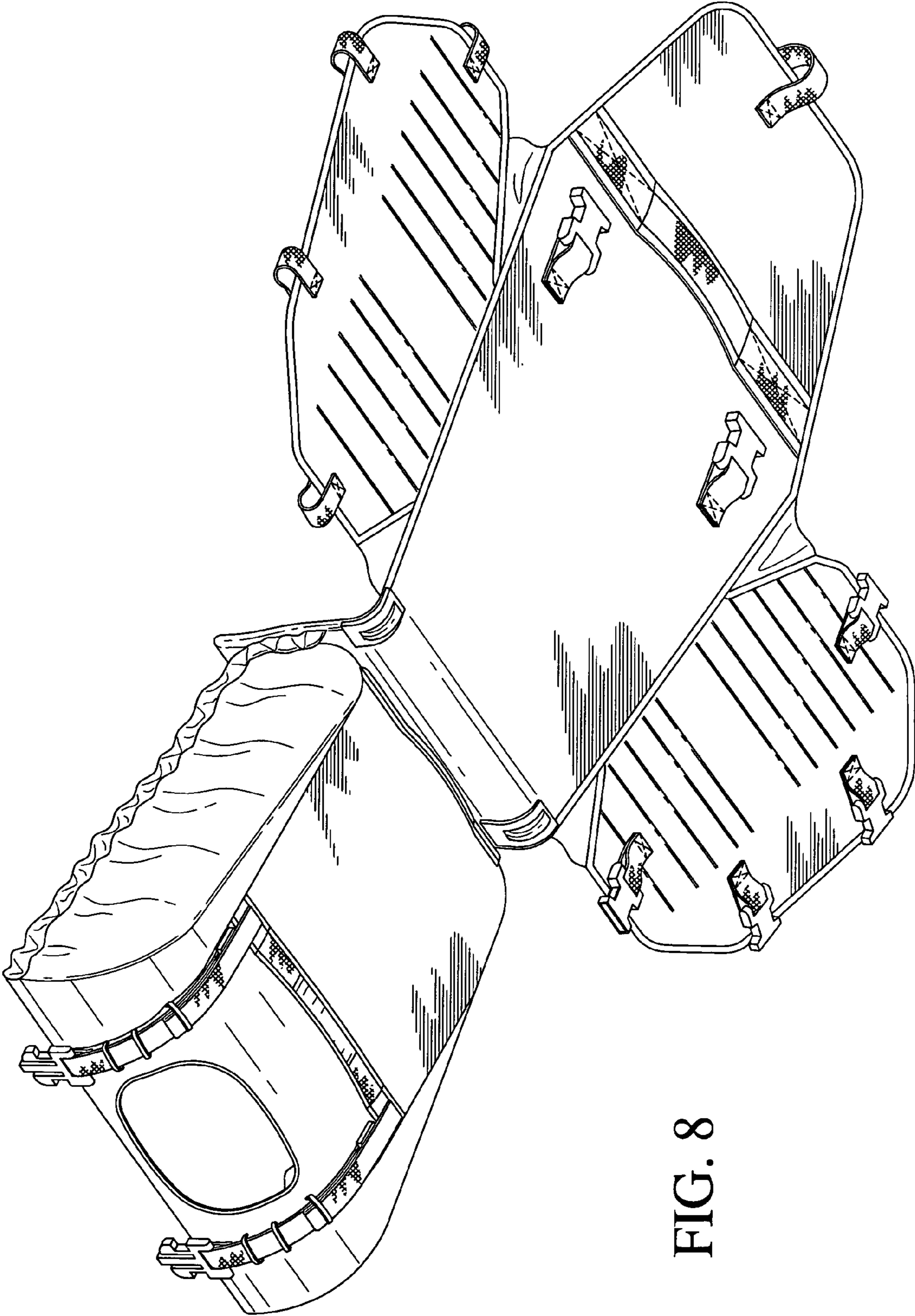


FIG. 8