



US00D636994S

(12) **United States Design Patent**
Okuda et al.

(10) **Patent No.:** **US D636,994 S**
(45) **Date of Patent:** **** May 3, 2011**

- (54) **PLASTIC CASE**
- (75) Inventors: **Shinsuke Okuda**, Anjo (JP); **Tatsuhito Matsuda**, Anjo (JP); **Yuta Matsuura**, Anjo (JP)
- (73) Assignee: **Makita Corporation**, Anjo-shi (JP)
- (**) Term: **14 Years**
- (21) Appl. No.: **29/380,527**
- (22) Filed: **Dec. 7, 2010**

4,998,616 A	3/1991	Hillinger	
D369,240 S	4/1996	Newby, Sr.	
5,685,421 A	11/1997	Gilmore	
5,806,673 A *	9/1998	Sanderson	206/314
D417,781 S *	12/1999	Staheli	D3/282
6,070,754 A	6/2000	Newby, Sr.	
D440,043 S *	4/2001	Miller et al.	D3/282
D462,519 S *	9/2002	Gaydos et al.	D3/276
D467,426 S *	12/2002	Hardigg et al.	D3/279
D487,970 S	4/2004	Meier et al.	
D498,223 S *	11/2004	Ho et al.	D14/138 AB
D516,311 S	3/2006	Lai	
D520,237 S	5/2006	Cheng	
D523,242 S	6/2006	Hardigg et al.	
D542,530 S	5/2007	Harris et al.	

Related U.S. Application Data

- (62) Division of application No. 29/347,226, filed on Nov. 4, 2009.

Foreign Application Priority Data

- May 8, 2009 (JP) 2009-10358
- May 8, 2009 (JP) 2009-10359
- May 8, 2009 (JP) 2009-10360

- (51) **LOC (9) Cl.** **03-01**
- (52) **U.S. Cl.** **D3/276; D3/282**
- (58) **Field of Classification Search** D3/273,
D3/276, 281, 278, 282, 294, 268, 900, 901;
206/349, 272, 373, 503, 506; 190/220, 111,
190/112, 100, 900
See application file for complete search history.

References Cited

U.S. PATENT DOCUMENTS

- 3,606,511 A * 9/1971 Henning et al. 312/266
- 4,340,139 A * 7/1982 Wilcox et al. 206/349
- 4,611,713 A 9/1986 Byrns

OTHER PUBLICATIONS

European Design Registration No. 001045280 filed Jul. 11, 2008.
* cited by examiner

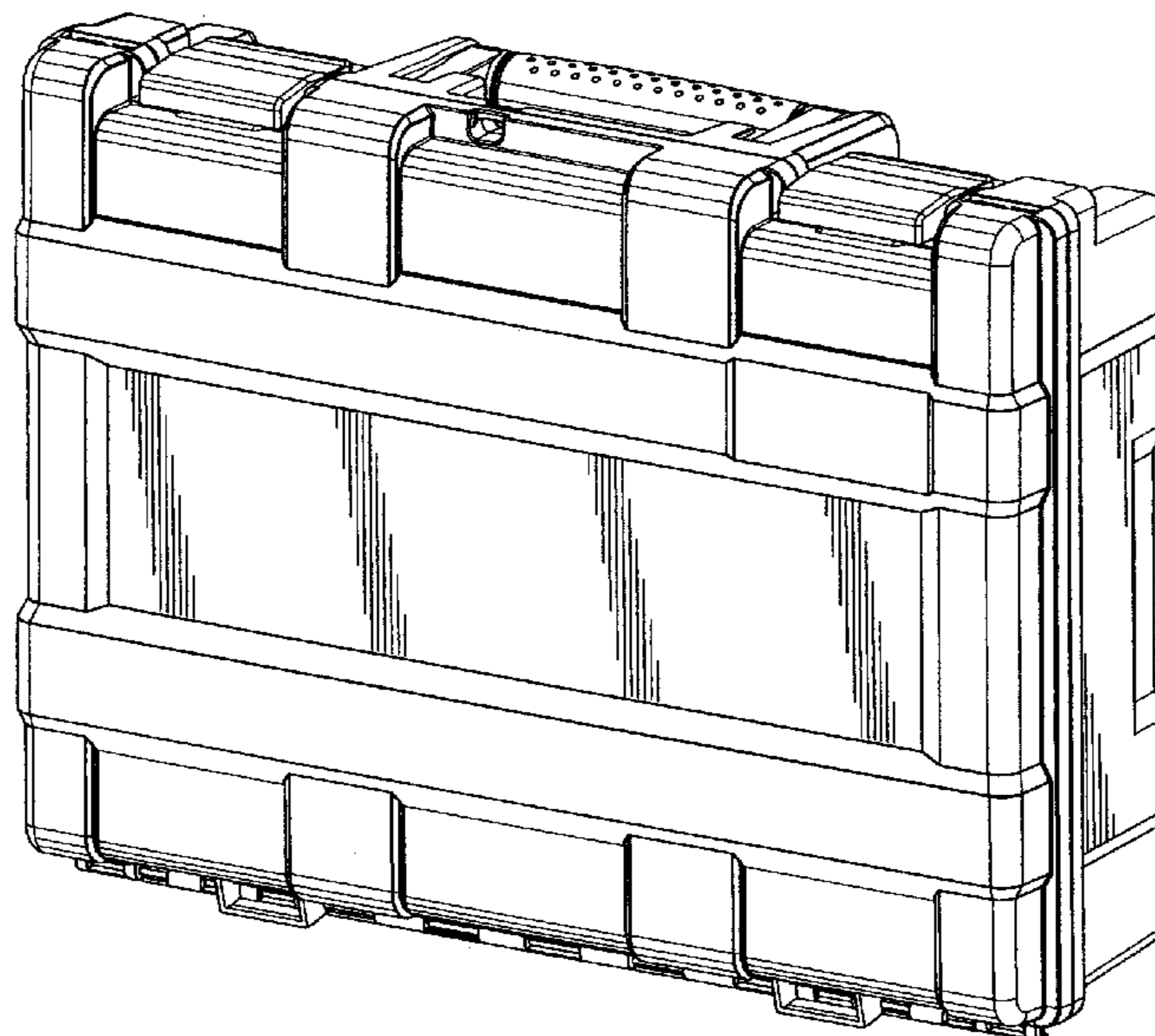
Primary Examiner — Prabhakar Deshmukh
(74) *Attorney, Agent, or Firm* — Oliff & Berridge, PLC

(57) **CLAIM**
The ornamental design for a plastic case, as shown and described.

DESCRIPTION

FIG. 1 is a perspective view of a plastic case showing our new design;
FIG. 2 is a front elevation view thereof;
FIG. 3 is a rear elevation view thereof;
FIG. 4 is a left side elevation view thereof;
FIG. 5 is a right side elevation view thereof;
FIG. 6 is a top plan view thereof; and,
FIG. 7 is a bottom plan view thereof.

1 Claim, 5 Drawing Sheets



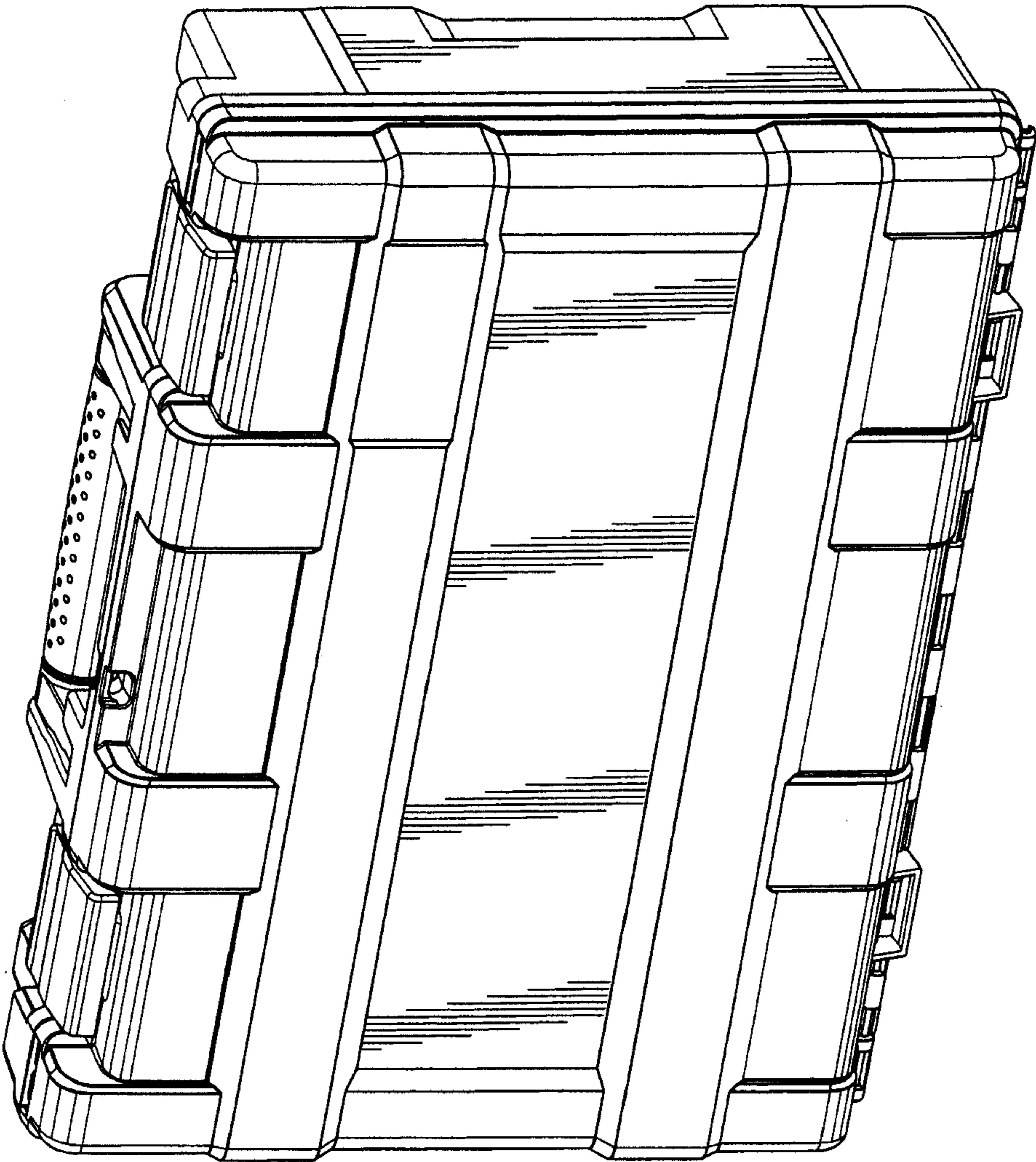


FIG. 1

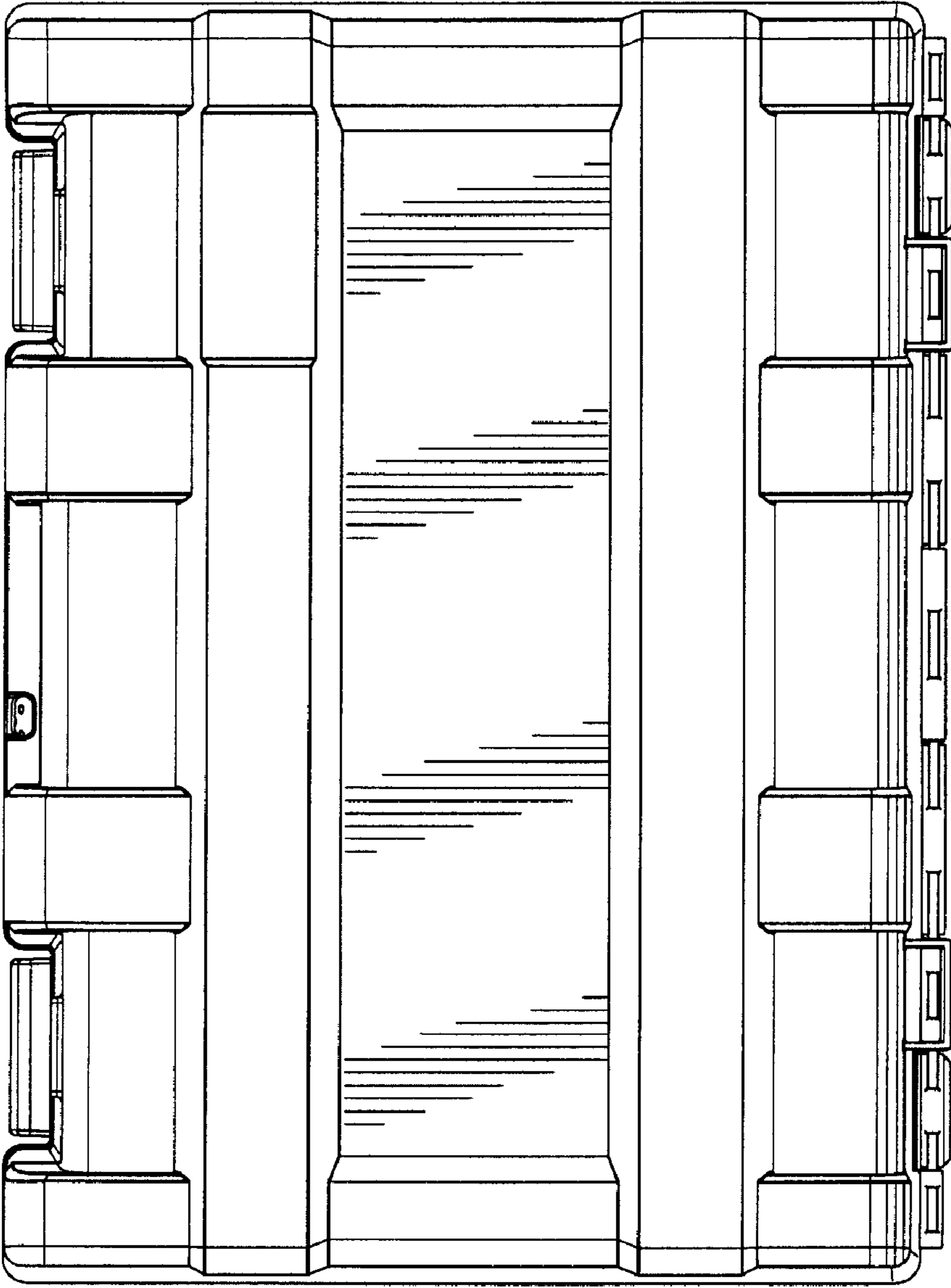


FIG. 2

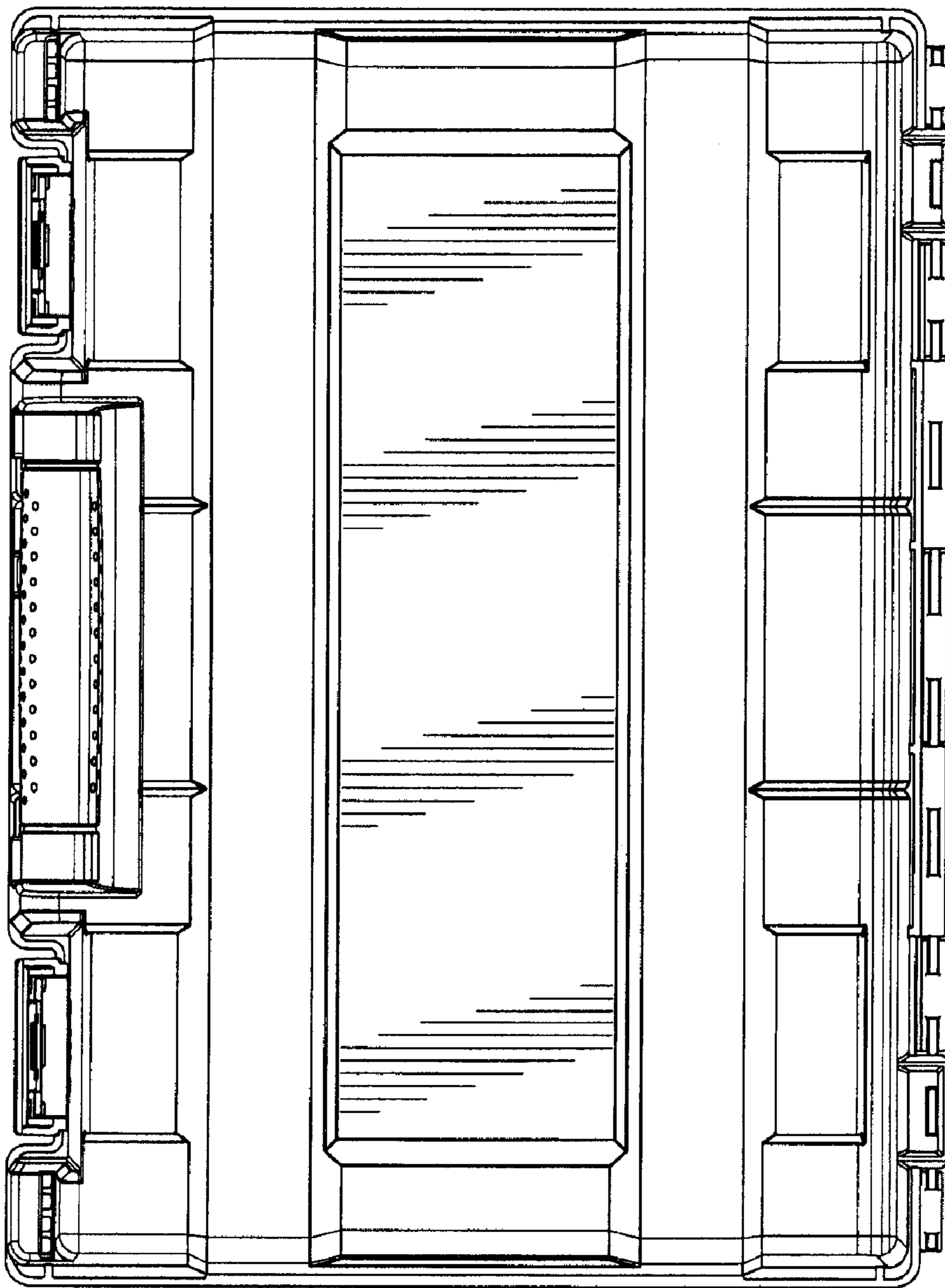


FIG. 3

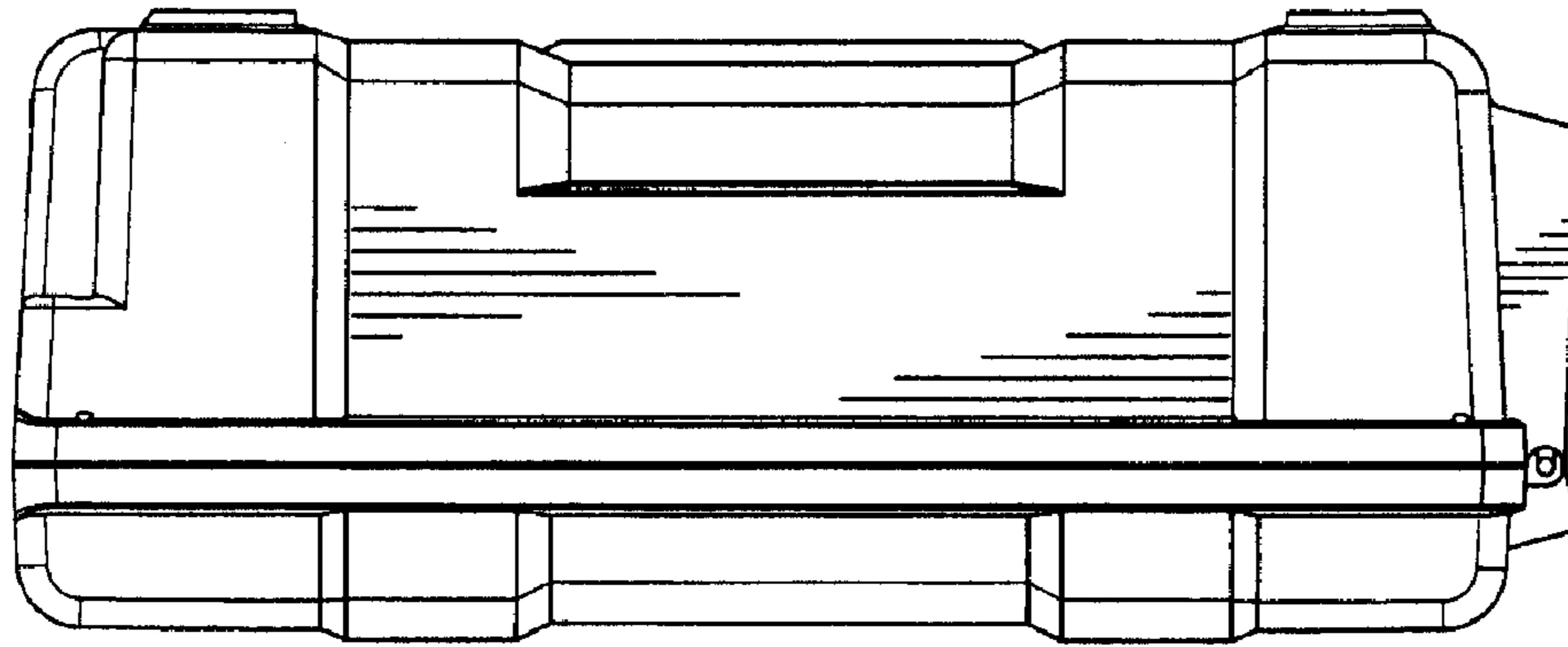


FIG. 4

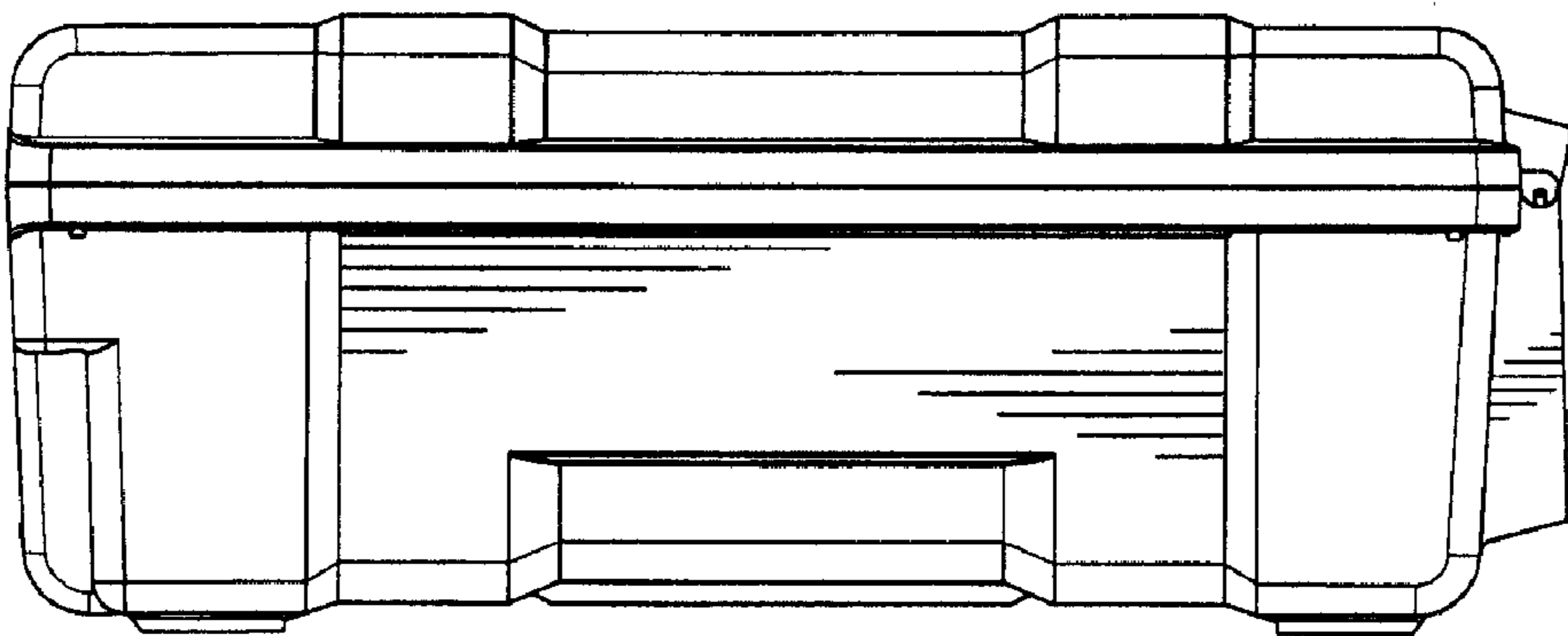


FIG. 5

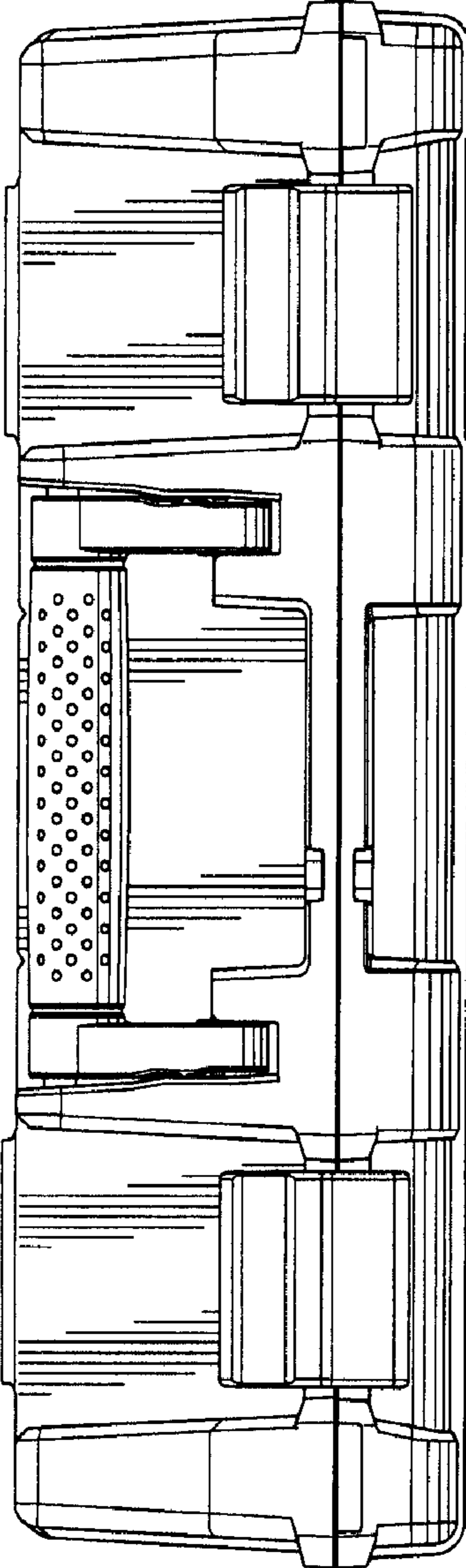


FIG. 6

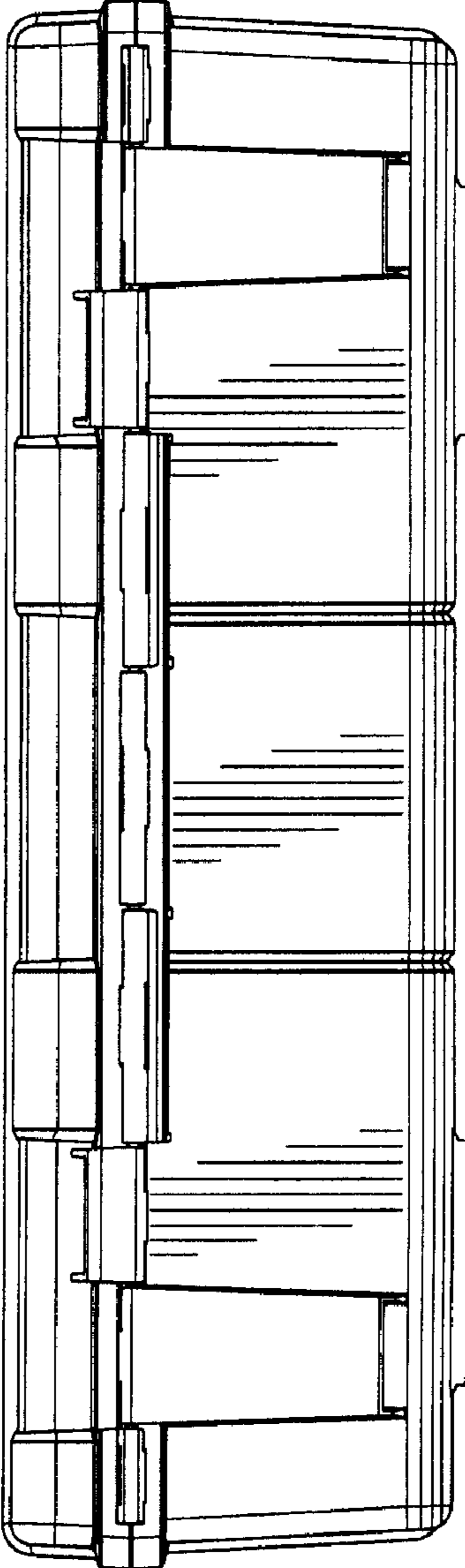


FIG. 7