



US00D636993S

(12) **United States Design Patent**  
**Okuda et al.**

(10) **Patent No.:** **US D636,993 S**  
(45) **Date of Patent:** **\*\* May 3, 2011**

(54) **PLASTIC CASE**

(75) Inventors: **Shinsuke Okuda**, Anjo (JP); **Tatsuhito Matsuda**, Anjo (JP); **Yuta Matsuura**, Anjo (JP)

(73) Assignee: **Makita Corporation**, Anjo-shi (JP)

(\*\*) Term: **14 Years**

(21) Appl. No.: **29/380,522**

(22) Filed: **Dec. 7, 2010**

4,998,616 A	3/1991	Hillinger	
D369,240 S	4/1996	Newby, Sr.	
5,685,421 A	11/1997	Gilmore	
5,806,673 A *	9/1998	Sanderson	206/314
D417,781 S *	12/1999	Staheli	D3/282
6,070,754 A	6/2000	Newby, Sr.	
D440,043 S *	4/2001	Miller et al.	D3/282
D462,519 S *	9/2002	Gaydos et al.	D3/276
D467,426 S *	12/2002	Hardigg et al.	D3/279
D487,970 S	4/2004	Meier et al.	
D498,223 S *	11/2004	Ho et al.	D14/138 AB
D516,311 S	3/2006	Lai	
D520,237 S	5/2006	Cheng	
D523,242 S	6/2006	Hardigg et al.	
D542,530 S	5/2007	Harris et al.	

**Related U.S. Application Data**

(62) Division of application No. 29/347,226, filed on Nov. 4, 2009.

**Foreign Application Priority Data**

May 8, 2009 (JP) ..... 2009-10358  
 May 8, 2009 (JP) ..... 2009-10359  
 May 8, 2009 (JP) ..... 2009-10360

(51) **LOC (9) Cl.** ..... **03-01**

(52) **U.S. Cl.** ..... **D3/276; D3/282**

(58) **Field of Classification Search** ..... D3/273,  
D3/276, 281, 278, 282, 294, 268, 900, 901;  
206/349, 272, 373, 503, 506; 190/220, 111,  
190/112, 100, 900

See application file for complete search history.

(56) **References Cited**

**U.S. PATENT DOCUMENTS**

3,606,511 A \* 9/1971 Henning et al. .... 312/266  
 4,340,139 A \* 7/1982 Wilcox et al. .... 206/349  
 4,611,713 A 9/1986 Byrns

**OTHER PUBLICATIONS**

European Design Registration No. 001045280 filed Jul. 11, 2008.

\* cited by examiner

*Primary Examiner* — Prabhakar Deshmukh

(74) *Attorney, Agent, or Firm* — Oliff & Berridge, PLC

(57) **CLAIM**

The ornamental design for a plastic case, as shown and described.

**DESCRIPTION**

FIG. 1 is a perspective view of a plastic case showing our new design;

FIG. 2 is a front elevation view thereof;

FIG. 3 is a rear elevation view thereof;

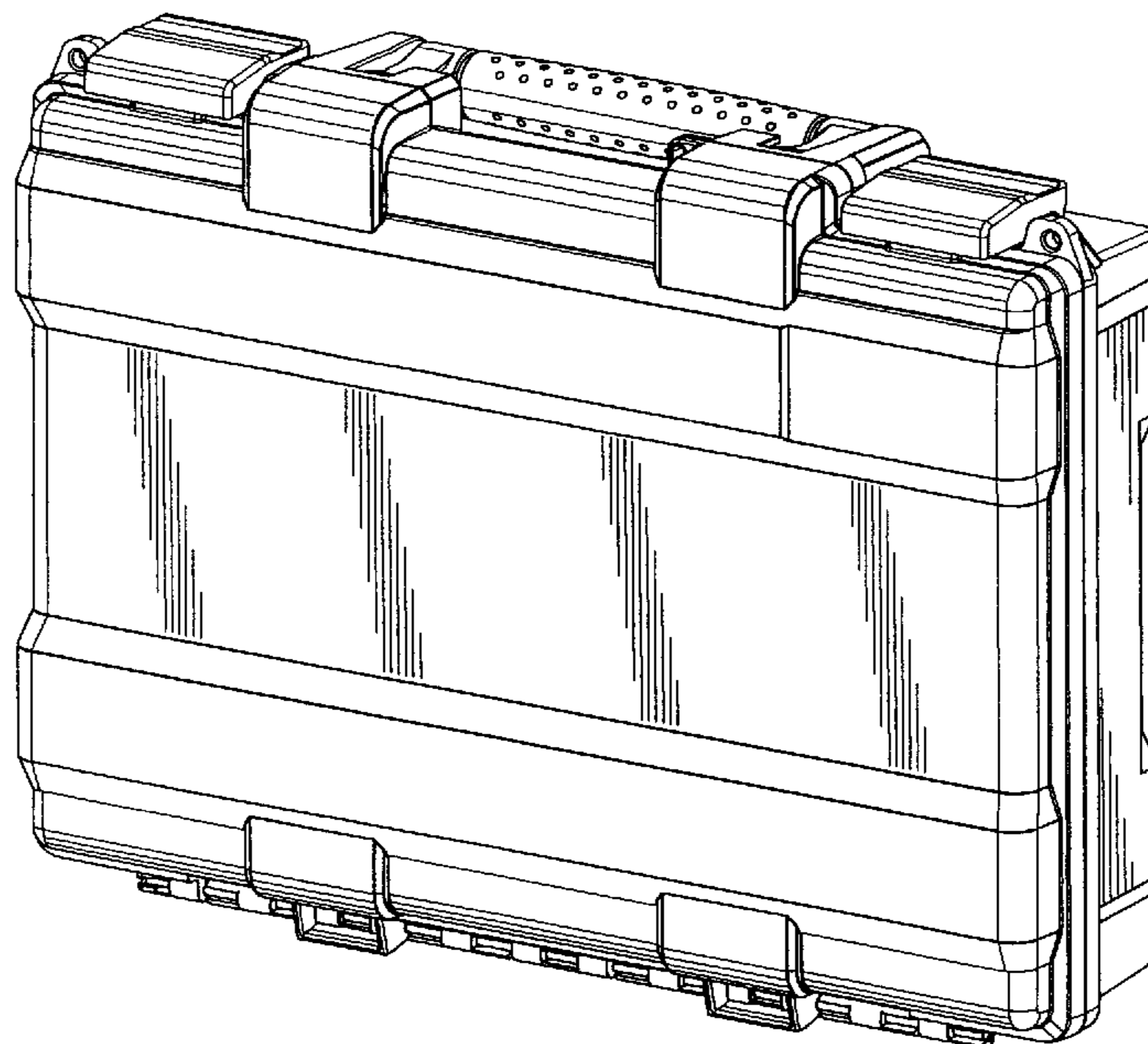
FIG. 4 is a left side elevation view thereof;

FIG. 5 is a right side elevation view thereof;

FIG. 6 is a top plan view thereof; and,

FIG. 7 is a bottom plan view thereof.

**1 Claim, 5 Drawing Sheets**



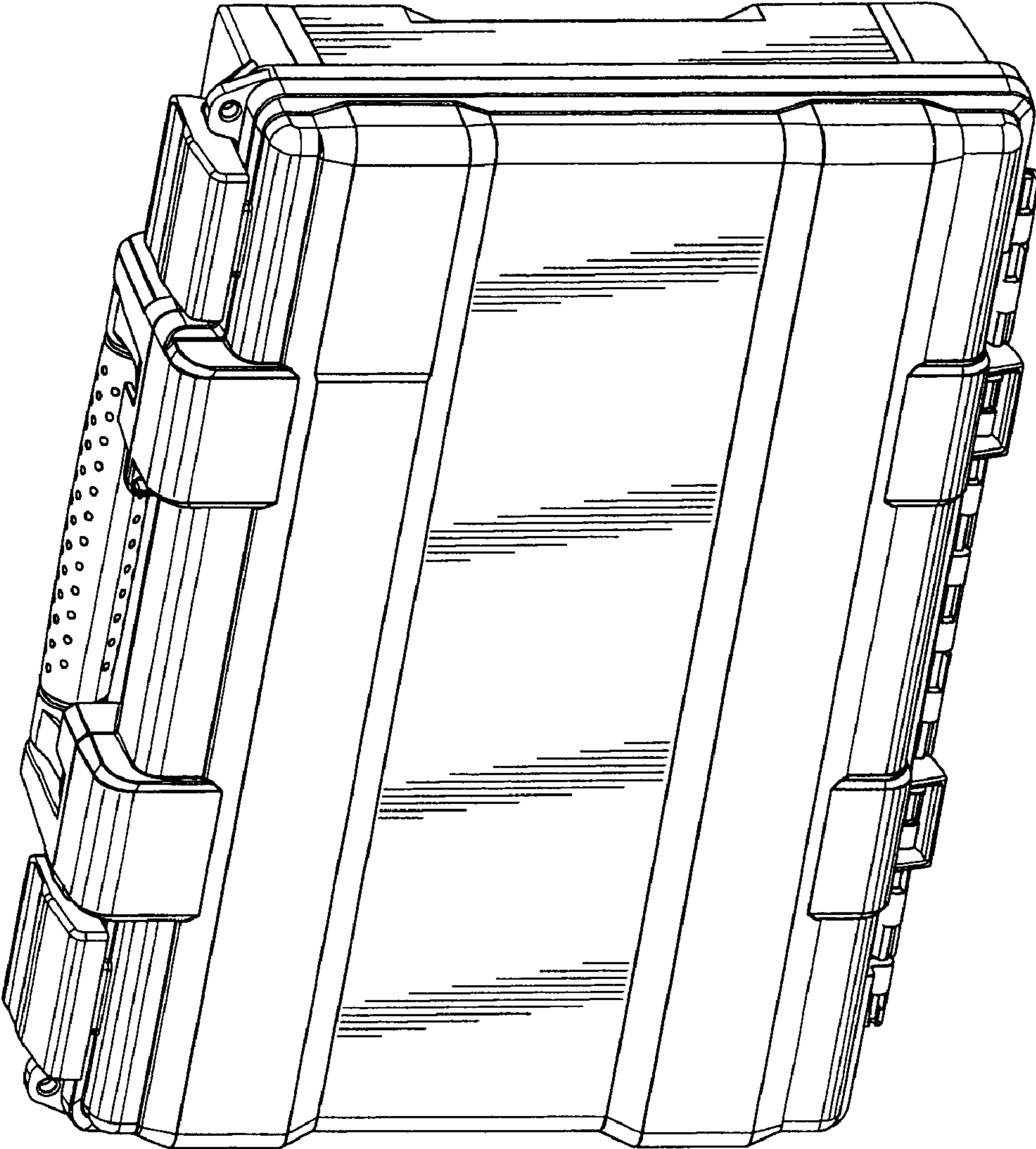


FIG. 1

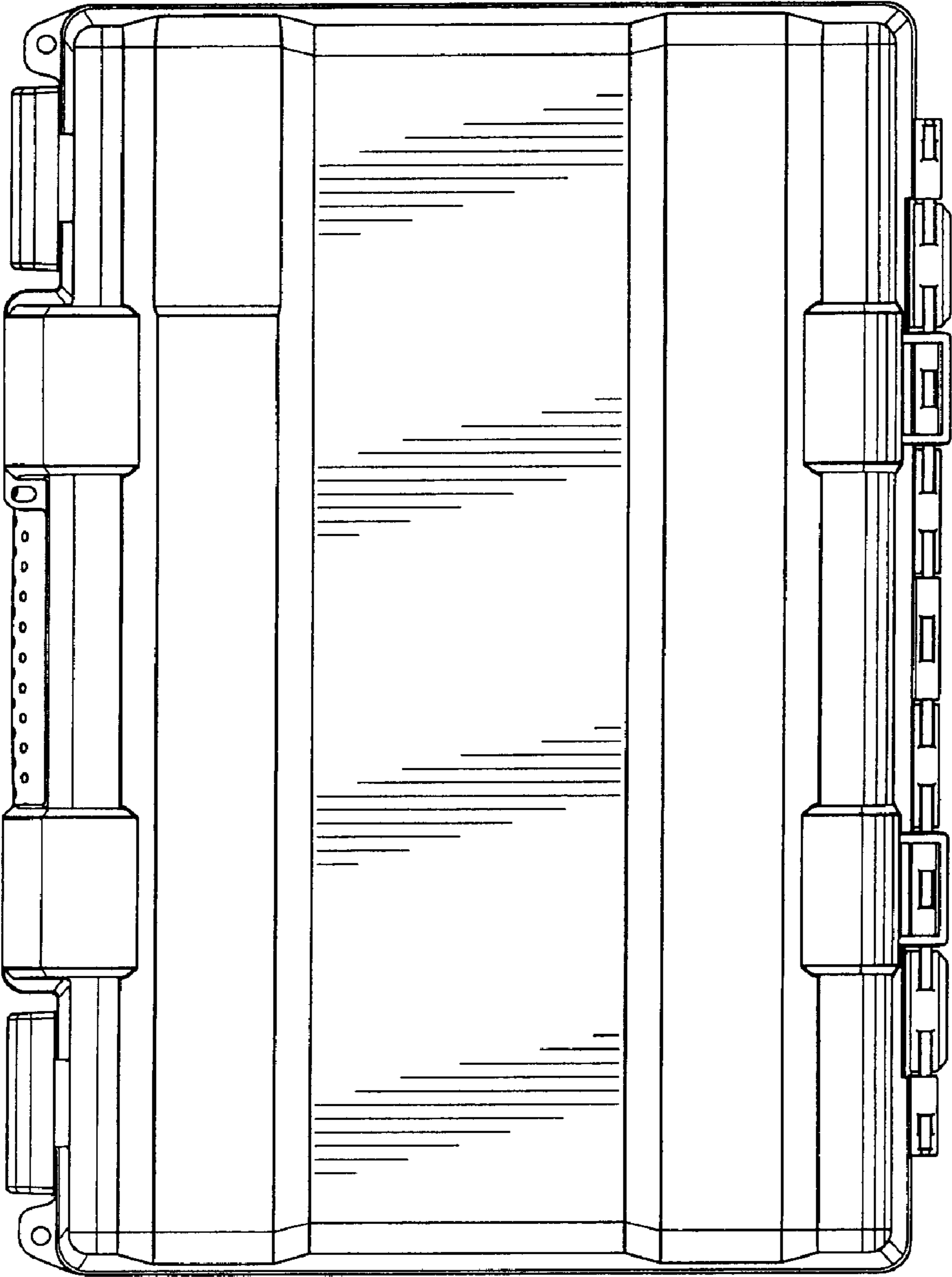


FIG. 2

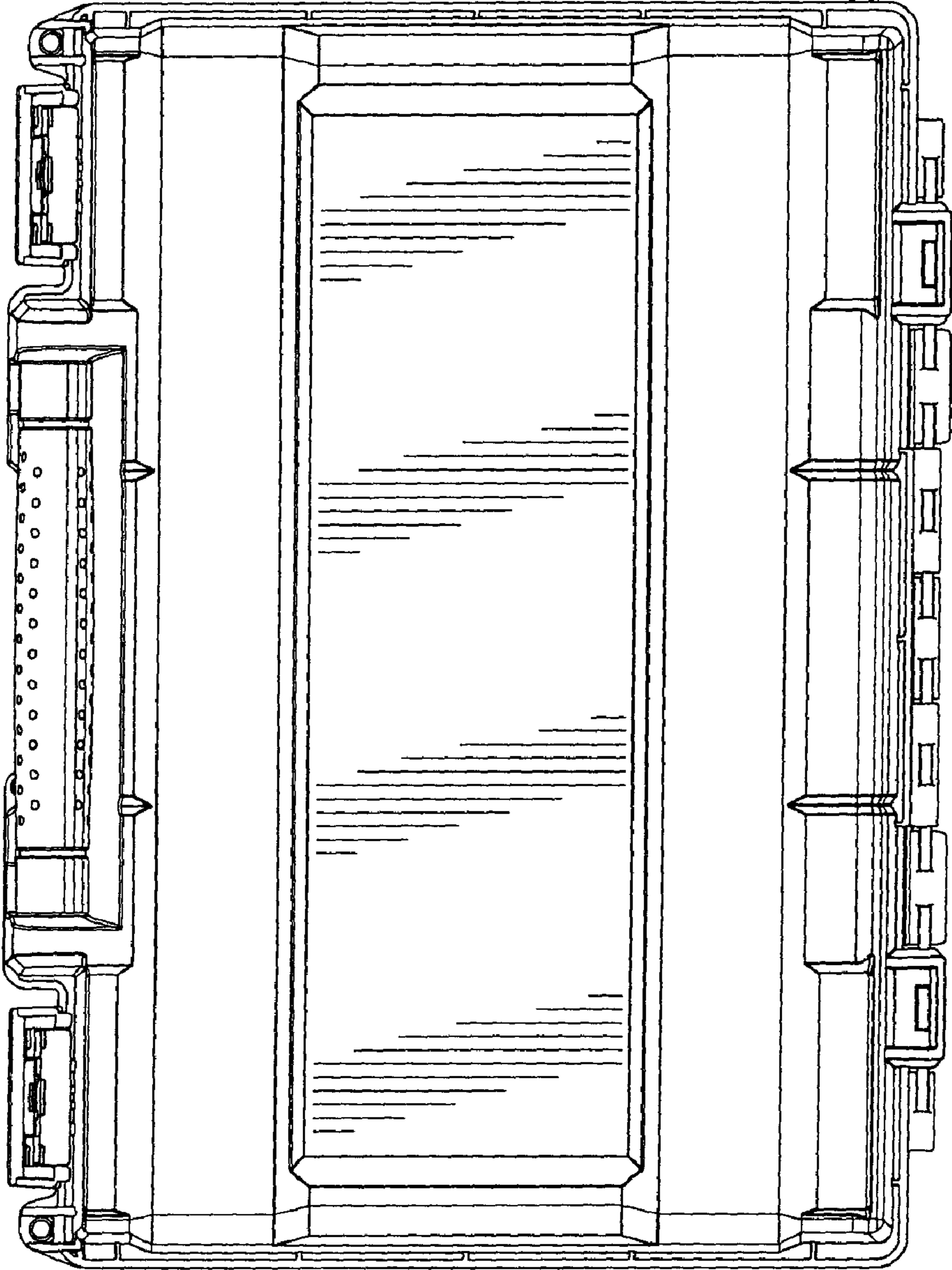


FIG. 3

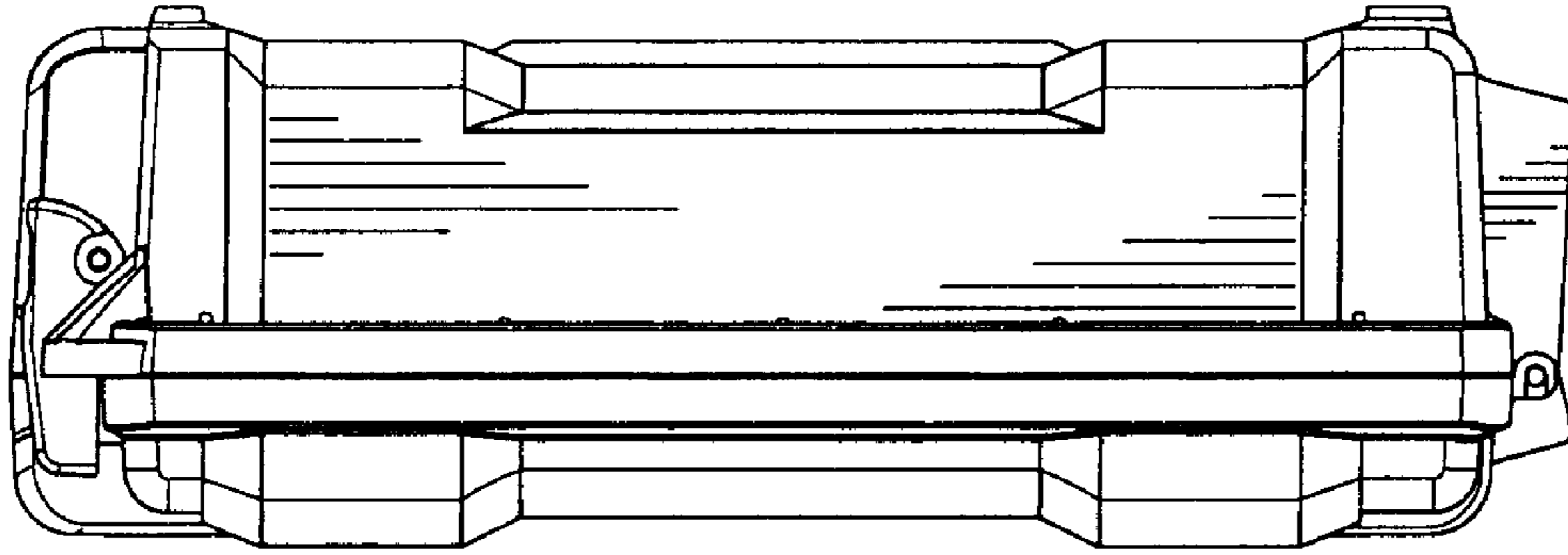


FIG. 4

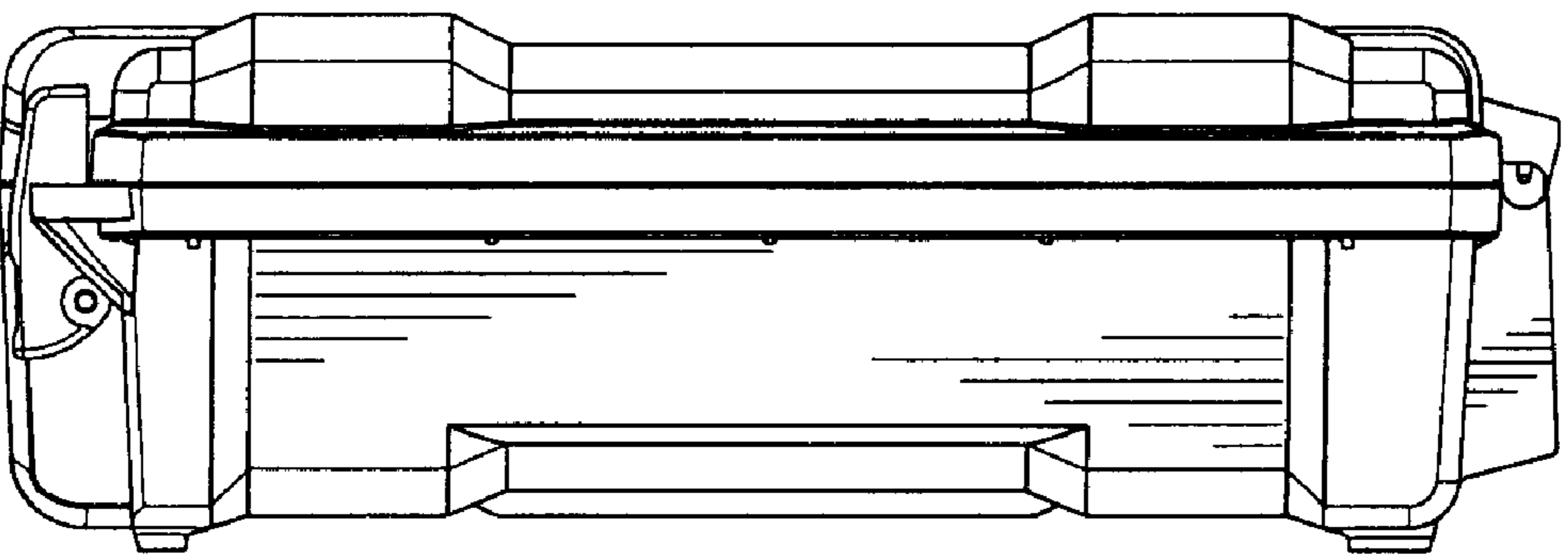


FIG. 5



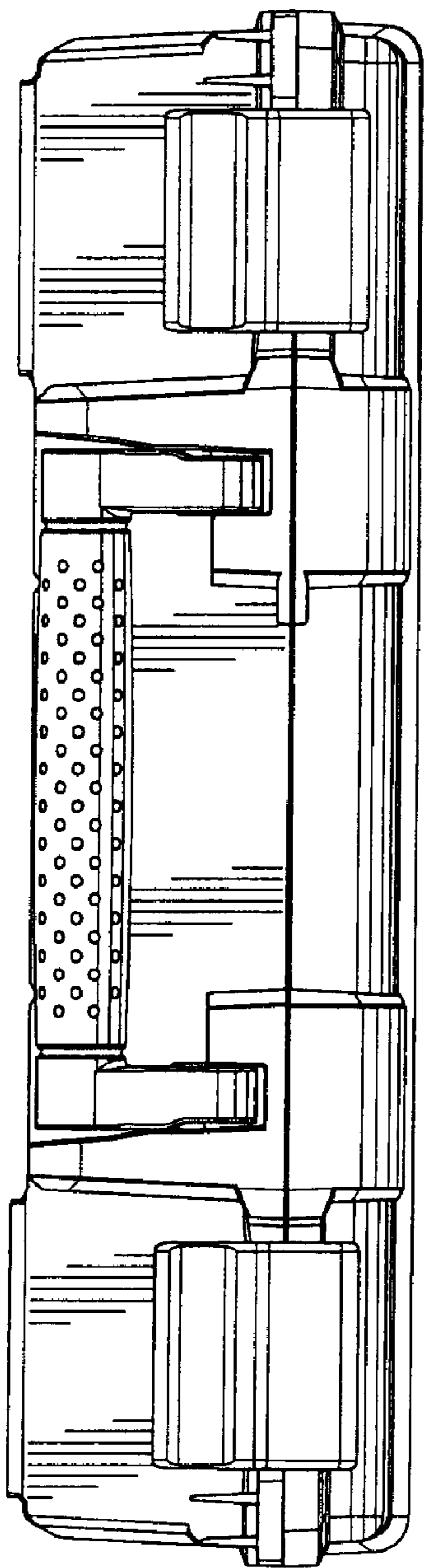


FIG. 6

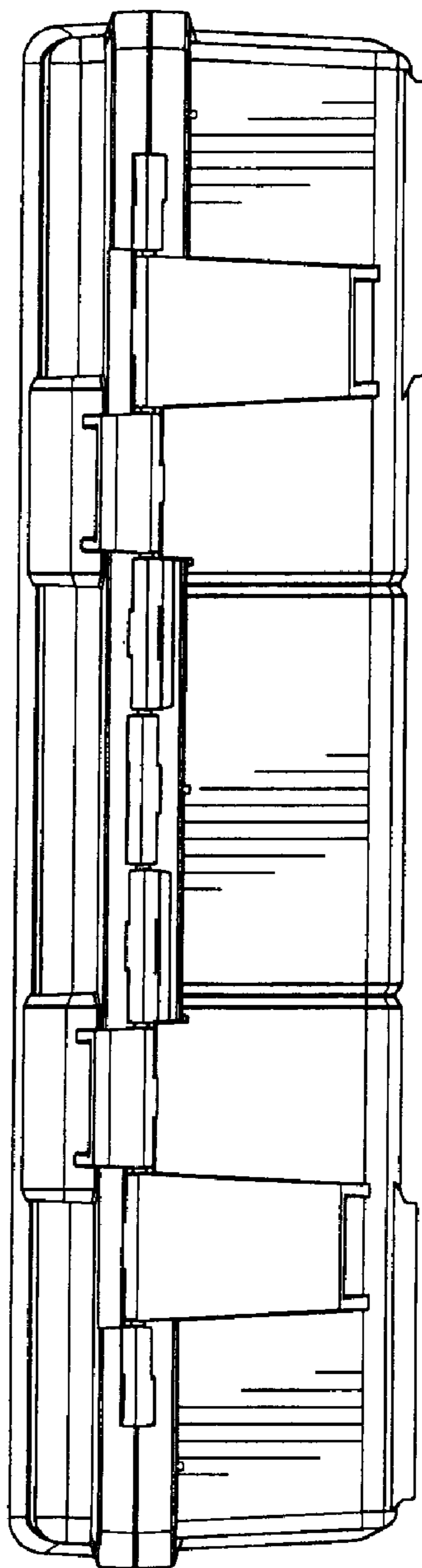


FIG. 7