



US00D636992S

(12) **United States Design Patent**
Budde

(10) **Patent No.:** **US D636,992 S**

(45) **Date of Patent:** **** May 3, 2011**

(54) **GAME CASE**

(76) **Inventor:** **Christina M. Budde, Delmar, IA (US)**

(**) **Term:** **14 Years**

(21) **Appl. No.:** **29/355,791**

(22) **Filed:** **Feb. 13, 2010**

(51) **LOC (9) Cl.** **03-01**

(52) **U.S. Cl.** **D3/271.1**

(58) **Field of Classification Search** D3/201,
D3/202, 270, 271.1, 271.2, 273, 274, 276,
D3/294; D9/500, 549, 550, 553, 715, 719;
206/503; 215/383

See application file for complete search history.

(56) **References Cited**

U.S. PATENT DOCUMENTS

D79,924 S *	11/1929	Gallagher	D9/550
D79,925 S *	11/1929	Gallagher	D9/550
D113,141 S *	1/1939	Jacobi	D9/665
2,376,194 A *	5/1945	Samuels	383/66
D197,864 S *	3/1964	Hartland	D9/550
D214,551 S *	7/1969	Plummer	D9/536
D237,945 S *	12/1975	Strand	D9/500
D253,454 S *	11/1979	Earle	D9/500
D265,058 S *	6/1982	Ewry	D9/500
D292,269 S *	10/1987	Jacobs et al.	D9/500
D310,631 S *	9/1990	Davis et al.	D9/563
5,351,851 A *	10/1994	Powell	220/503
D420,345 S *	2/2000	Zannetos	D14/406

D432,364 S *	10/2000	Hansen	D7/606
D530,290 S *	10/2006	Dupuis	D14/125
D545,199 S *	6/2007	MacLean	D9/517
D549,582 S *	8/2007	Lloyd et al.	D9/529

* cited by examiner

Primary Examiner — Elizabeth A Albert

Assistant Examiner — Karen E Eldridge Powers

(74) *Attorney, Agent, or Firm* — Simmons Perrine Moyer Bergman PLC

(57) **CLAIM**

The ornamental design for a game case, as shown and described.

DESCRIPTION

FIG. 1 is a perspective view of a game case showing my new design;

FIG. 2 is a front elevation view thereof;

FIG. 3 is a side elevation view, the opposite side being a mirror image thereof;

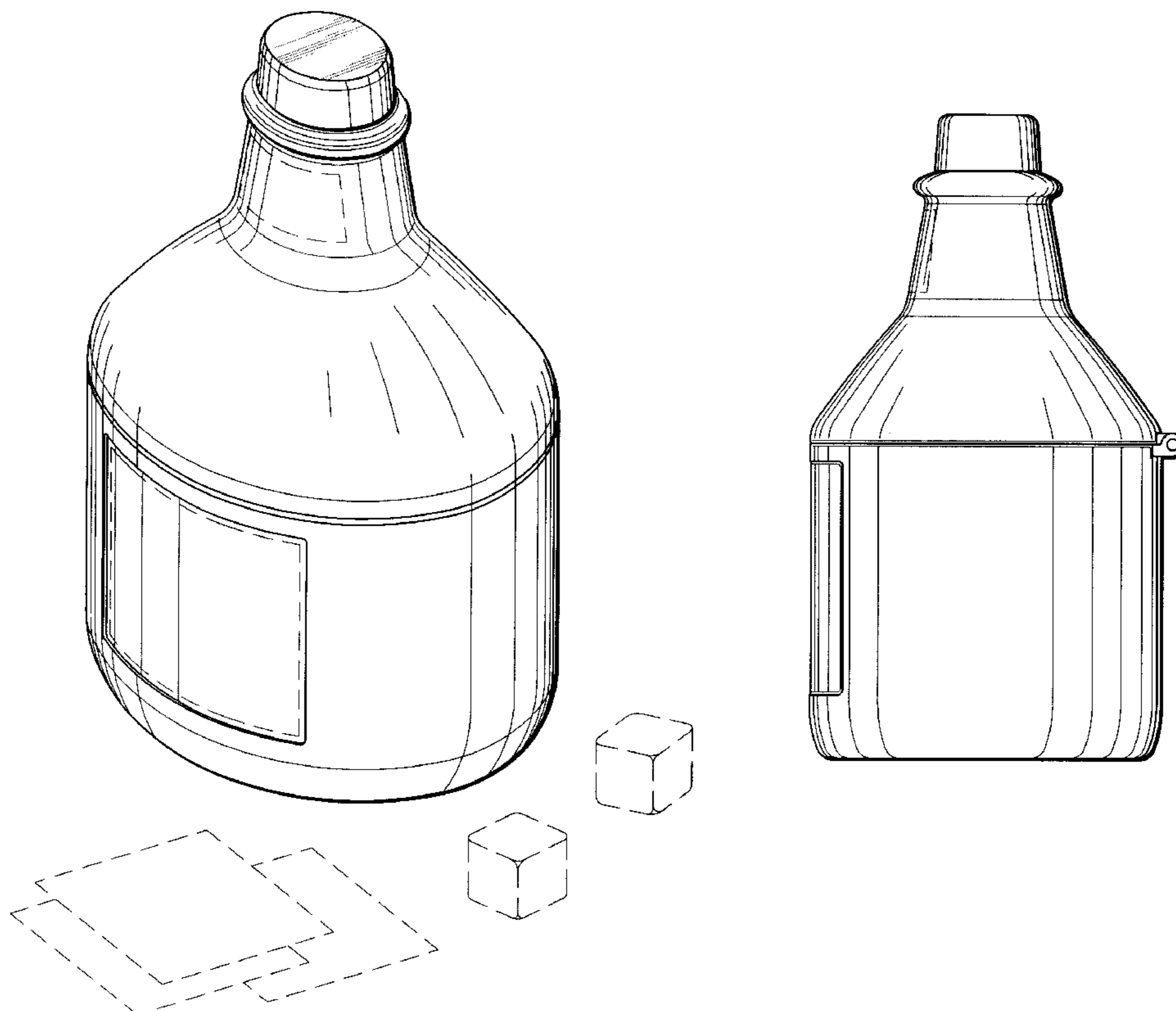
FIG. 4 is a rear elevation view thereof;

FIG. 5 is a top view thereof; and,

FIG. 6 is a bottom view thereof.

The labels shown in broken lines on the game case illustrate features of the article to which the design is applied that form no part of the claim. The game cards and dice shown in broken lines in FIG. 1 illustrate the environment in which the game case is used and form no part of the claim.

1 Claim, 4 Drawing Sheets



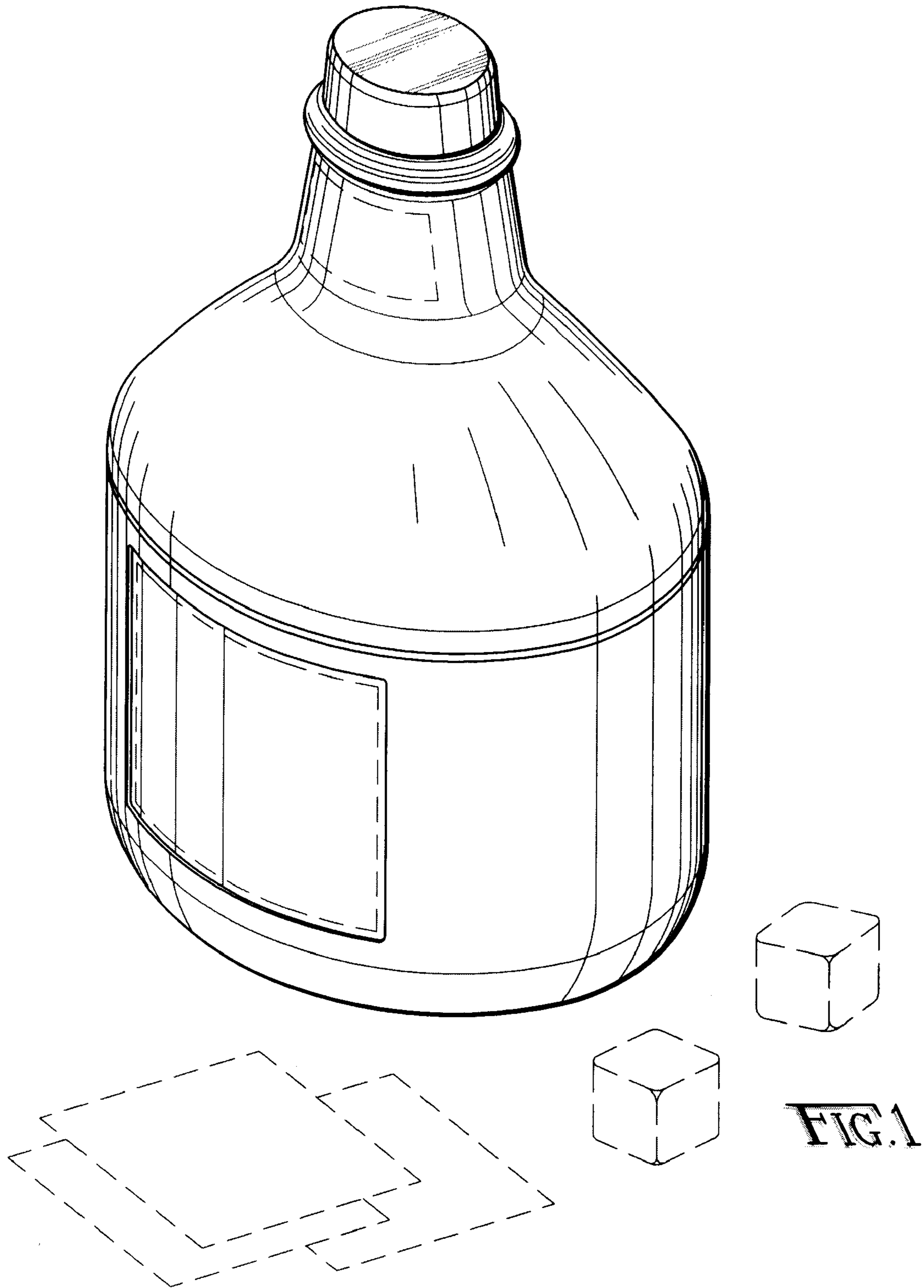




FIG. 2

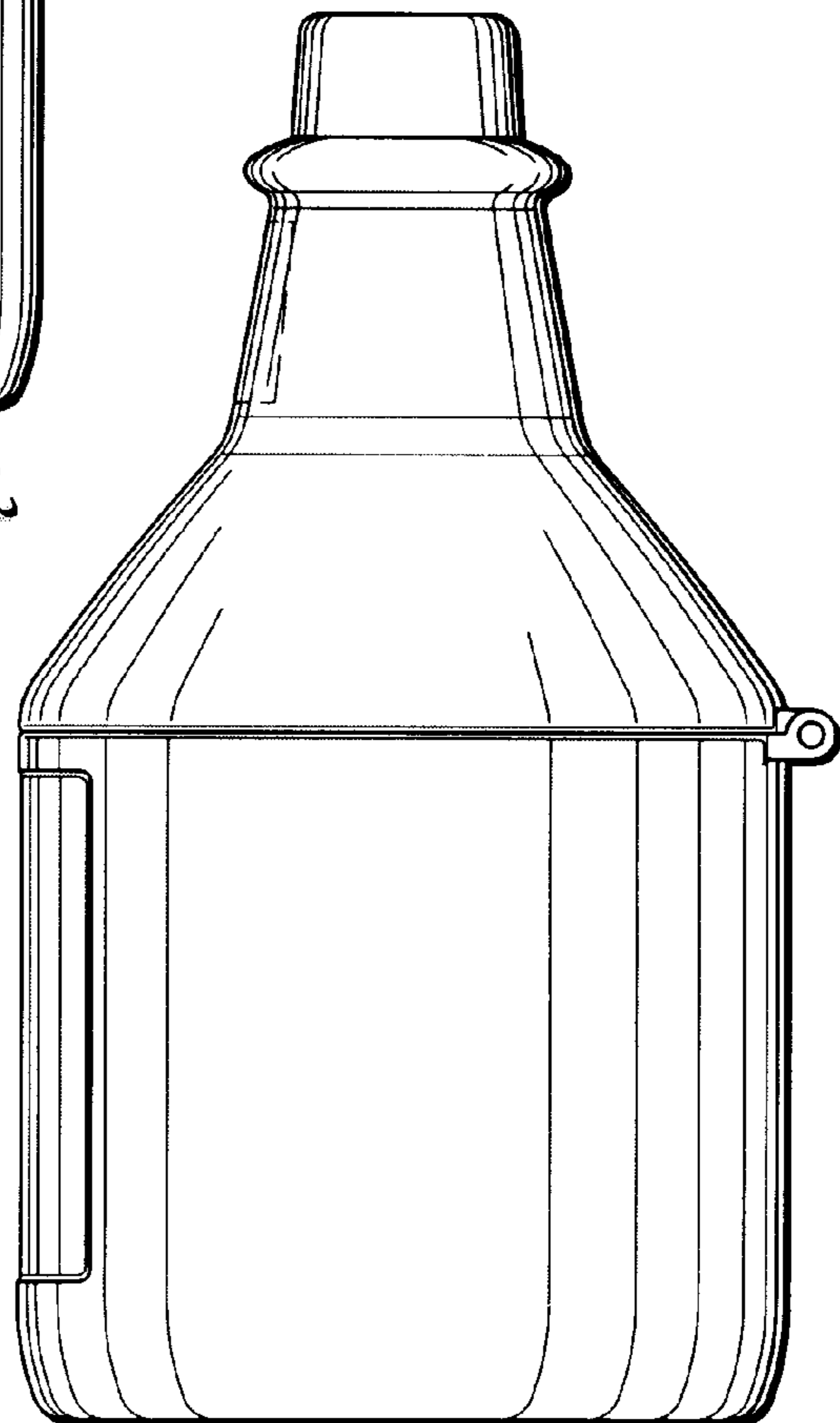


FIG. 3

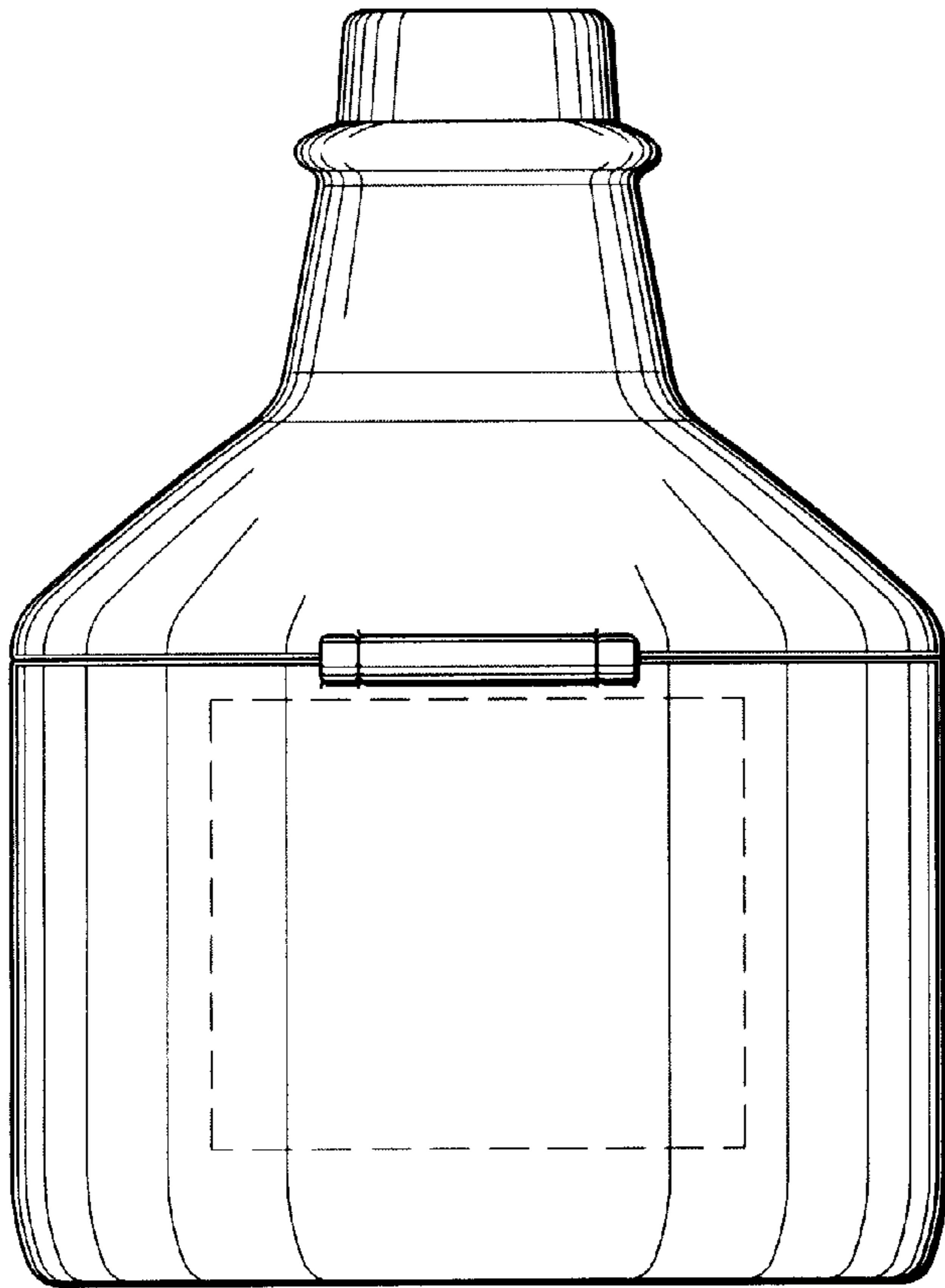


FIG. 4

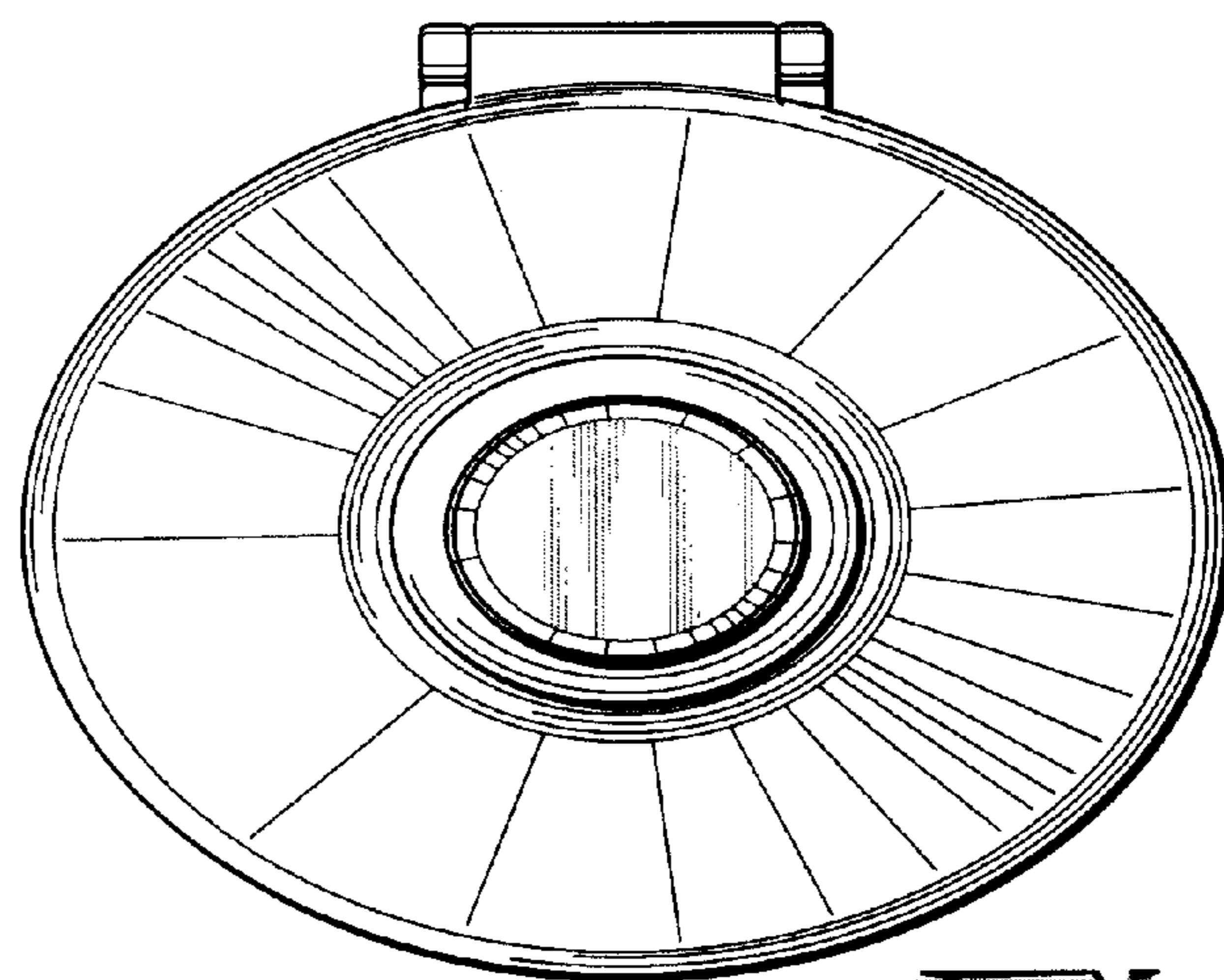


FIG. 5

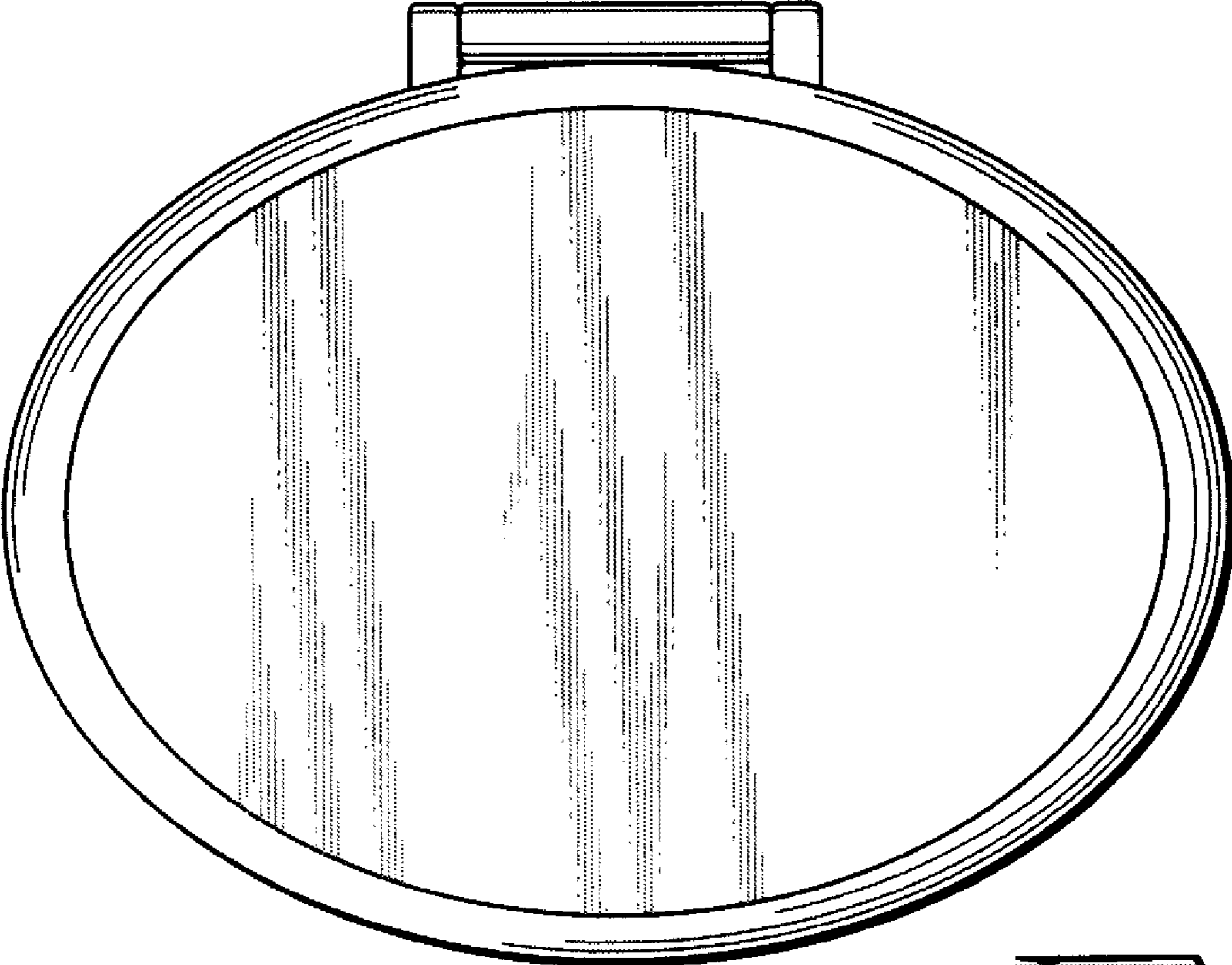


FIG. 6