



US00D636988S

(12) **United States Design Patent**  
**Romero et al.**

(10) **Patent No.:** **US D636,988 S**

(45) **Date of Patent:** **\*\* May 3, 2011**

(54) **HANDBAG WITH INTERCHANGEABLE  
HANDBAG COVER**

FOREIGN PATENT DOCUMENTS

FR 1117240 5/1956

(Continued)

(75) Inventors: **Michelle Romero**, West Valley City, UT  
(US); **Annette B. Cavaness**, Provo, UT  
(US); **Christian J. Seegmiller**, Riverton,  
UT (US)

OTHER PUBLICATIONS

“The Smart Handbag”, The Bernina Connection, LLC Online Cata-  
log with secure transactions, [http://berninaconnection.com/cgi-bin/  
Store/store.cgi?product=patterns\\_main&productid=0](http://berninaconnection.com/cgi-bin/Store/store.cgi?product=patterns_main&productid=0) (accessed  
Mar. 21, 2007).

(73) Assignee: **Miche Bag, LLC**, South Jordan, UT  
(US)

(Continued)

(\*\*) Term: **14 Years**

*Primary Examiner* — Holly Baynham

(21) Appl. No.: **29/367,225**

(74) *Attorney, Agent, or Firm* — Workman Nydegger

(22) Filed: **Aug. 4, 2010**

**Related U.S. Application Data**

(57) **CLAIM**

The ornamental design for a handbag with interchangeable  
handbag cover, as shown and described.

(63) Continuation-in-part of application No. 11/945,174,  
filed on Nov. 26, 2007.

(51) **LOC (9) Cl.** ..... **03-01**

(52) **U.S. Cl.** ..... **D3/232**

(58) **Field of Classification Search** ..... D3/232–233,  
D3/240–246, 318; 150/100, 103–110, 113–114,  
150/118–119  
See application file for complete search history.

**DESCRIPTION**

FIG. 1 is a top perspective view of the claimed base handbag  
with an exemplary interchangeable handbag cover shown in  
phantom in a closed, attached conformation about the base  
handbag;

(56) **References Cited**

U.S. PATENT DOCUMENTS

840,086	A	1/1907	Oswald	
1,042,934	A	9/1912	Levy	
1,960,396	A	5/1934	Rosenberg	
1,972,577	A	9/1934	Walinsky	
1,978,971	A	10/1934	Thornhill	
2,023,144	A	5/1935	Miller	
2,104,439	A	1/1938	Schein	
2,118,400	A	5/1938	Goldberg	
2,131,382	A	9/1938	Lobat	
D129,151	S	8/1941	Lewis	
D131,188	S	1/1942	Lewis	
2,369,239	A *	2/1945	Khoury	150/103
2,369,482	A	2/1945	Morris	
2,437,382	A	9/1948	Czap	
2,464,313	A	3/1949	Holden	

FIG. 2 is a top perspective view thereof, with the exemplary  
interchangeable handbag cover shown in phantom in a parti-  
ally opened, detached conformation about the base hand-  
bag;

FIG. 3 is an elevated front view of the base handbag shown in  
FIG. 1, with the opposing back view being a mirror image  
thereof;

FIG. 4 is a top, plan view thereof;

FIG. 5 is an elevated, left side view thereof, with the opposing  
right side being a mirror image thereof; and,

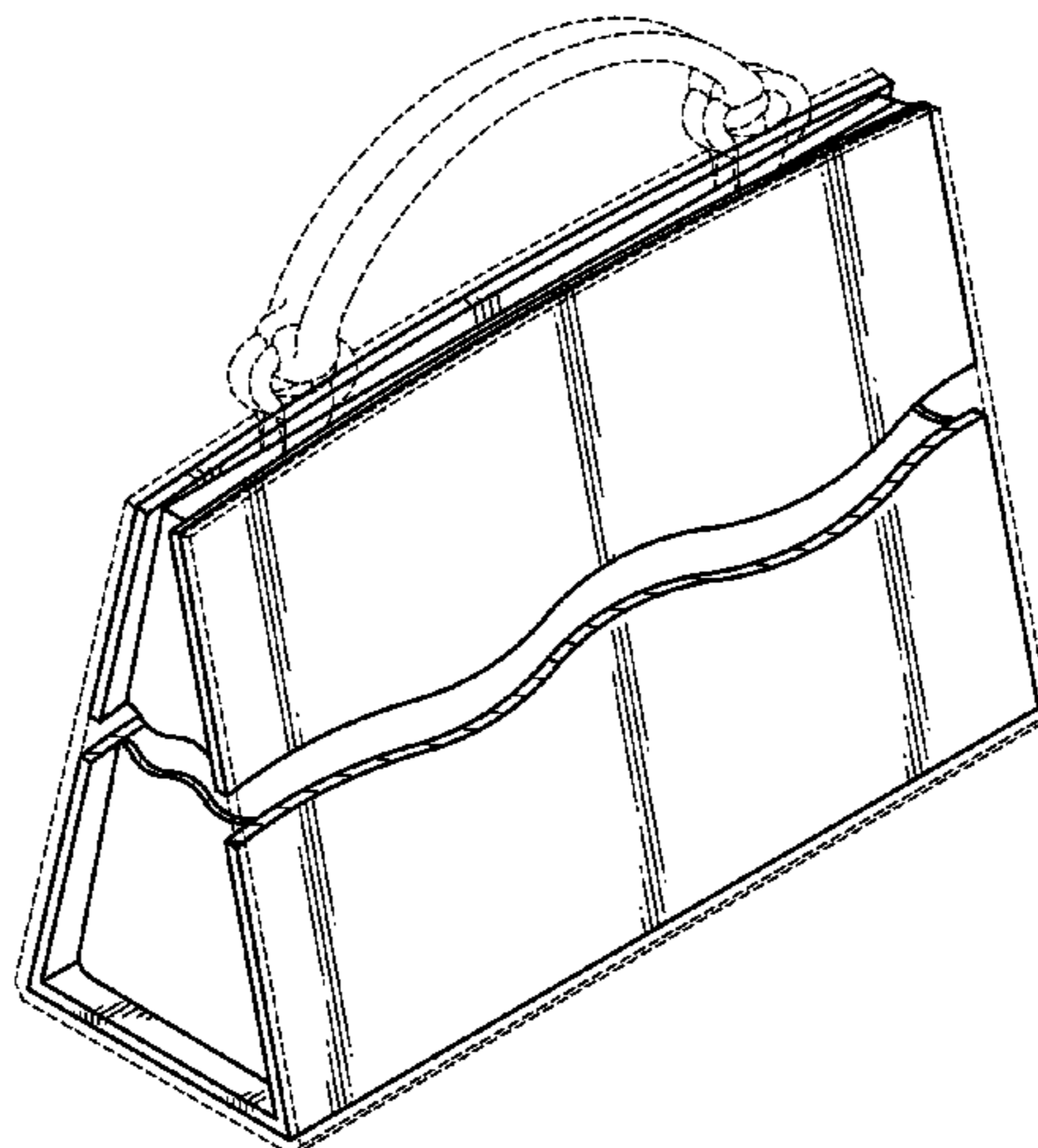
FIG. 6 is bottom view thereof.

The broken lines showing the interchangeable handbag cover  
is for illustrative purposes and forms no part of the claimed  
design.

The claimed design is shown broken away to indicate inde-  
terminate length.

(Continued)

**1 Claim, 3 Drawing Sheets**



U.S. PATENT DOCUMENTS

2,477,388 A 7/1949 Moore  
D155,608 S 10/1949 Hilf  
2,622,647 A \* 12/1952 Arnthal ..... 150/118  
2,627,885 A \* 2/1953 Cassell ..... 150/105  
2,656,870 A 10/1953 Wishnia  
2,779,373 A 1/1957 Koepke  
2,809,685 A 10/1957 Lowy  
2,893,457 A 7/1959 Wilson  
3,182,701 A 5/1965 Ginsburg  
3,234,985 A 2/1966 Gilbert  
3,451,545 A 6/1969 Davis  
3,556,187 A 1/1971 Speakes  
3,575,226 A 4/1971 Chapman  
D224,072 S 6/1972 Rosenblum  
3,669,169 A \* 6/1972 Lubliner ..... 150/107  
4,088,167 A 5/1978 Schwartz  
4,112,991 A 9/1978 Barbaresi  
D252,596 S 8/1979 Adler  
4,260,004 A 4/1981 Domke  
4,263,951 A 4/1981 Siegel  
4,610,286 A 9/1986 Cyr  
4,754,790 A 7/1988 Meyers  
4,842,032 A 6/1989 Mastronardo  
4,907,633 A 3/1990 Eckstein  
5,096,030 A 3/1992 Espinosa  
5,178,198 A 1/1993 Fitzgerald  
D334,661 S 4/1993 Kohn  
5,207,254 A 5/1993 Fromm  
D346,694 S 5/1994 Cyr  
5,356,004 A 10/1994 Weinreb  
D354,399 S 1/1995 Georges  
5,533,558 A 7/1996 Carey  
5,725,039 A 3/1998 Macinai  
5,765,618 A 6/1998 Toledano  
5,829,502 A 11/1998 Distefano  
D403,863 S 1/1999 Briganti  
D408,146 S 4/1999 Briganti  
5,894,975 A 4/1999 Holden  
5,911,262 A 6/1999 Steinhart  
5,839,138 A 11/1999 Smith  
5,983,464 A 11/1999 Bauer  
5,983,969 A 11/1999 Morgan  
6,003,573 A 12/1999 Owens  
6,029,723 A 2/2000 Baquero  
6,116,412 A 9/2000 Rogers  
D432,310 S 10/2000 Salz  
6,129,126 A 10/2000 Restivo  
6,173,837 B1 1/2001 Marconi  
6,179,025 B1 1/2001 Sutton  
D437,687 S 2/2001 Salz  
6,186,201 B1 2/2001 Salz  
6,237,660 B1 5/2001 Giardino  
D443,139 S 6/2001 Salz  
D443,764 S 6/2001 Salz  
D444,943 S 7/2001 Nastasi  
6,394,157 B2 5/2002 Luna  
6,422,278 B1 7/2002 Grogan  
6,446,688 B1 9/2002 Sutton  
6,543,499 B2 4/2003 McCreery  
6,564,838 B1 5/2003 Cruickshank  
D476,809 S 7/2003 Ko  
D495,877 S 9/2004 Thorsen  
6,796,344 B2 9/2004 Chen  
6,807,992 B2 10/2004 Powers  
D497,716 S 11/2004 de Baschmakoff  
6,820,664 B1 11/2004 Ritch

6,968,880 B2 11/2005 Battaglia  
6,971,424 B1 12/2005 Angevine  
7,028,730 B2 4/2006 Pace  
7,222,649 B1 5/2007 Fox  
7,461,676 B2 12/2008 Huie  
D610,801 S 3/2010 Romero  
D611,705 S 3/2010 Romero  
D613,062 S 4/2010 Romero  
2001/0015248 A1 8/2001 McCreery  
2002/0029831 A1 3/2002 Pendergrass  
2002/0066505 A1 6/2002 Grogan  
2003/0000612 A1 1/2003 Sutton  
2003/0177664 A1 9/2003 Monassebian  
2004/0050468 A1 3/2004 Powers  
2004/0187988 A1 9/2004 Andrews  
2005/0028908 A1 2/2005 Schaus  
2005/0173034 A1 8/2005 Antrobus  
2005/0274441 A1 12/2005 Pace  
2006/0021684 A1 2/2006 DeCoro, III  
2006/0157175 A1 7/2006 Pace  
2006/0174984 A1 8/2006 Burns  
2006/0208043 A1 9/2006 Plantan  
2006/0237106 A1 10/2006 Pearson  
2006/0266452 A1 11/2006 Huie  
2006/0278311 A1 12/2006 Mittelstaedt  
2007/0102077 A1 5/2007 Parker-Ogden  
2007/0163689 A1 7/2007 Pace  
2007/0209742 A1 9/2007 Morgan  
2007/0221136 A1 9/2007 Buttner  
2007/0240798 A1 10/2007 Bihler  
2008/0006355 A1 1/2008 Gomez  
2008/0185082 A1 8/2008 Mejia  
2008/0230158 A1 9/2008 Romero  
2009/0065110 A1 3/2009 Cassella  
2009/0188592 A1 7/2009 Connacher  
2010/0218863 A1 9/2010 Church et al.

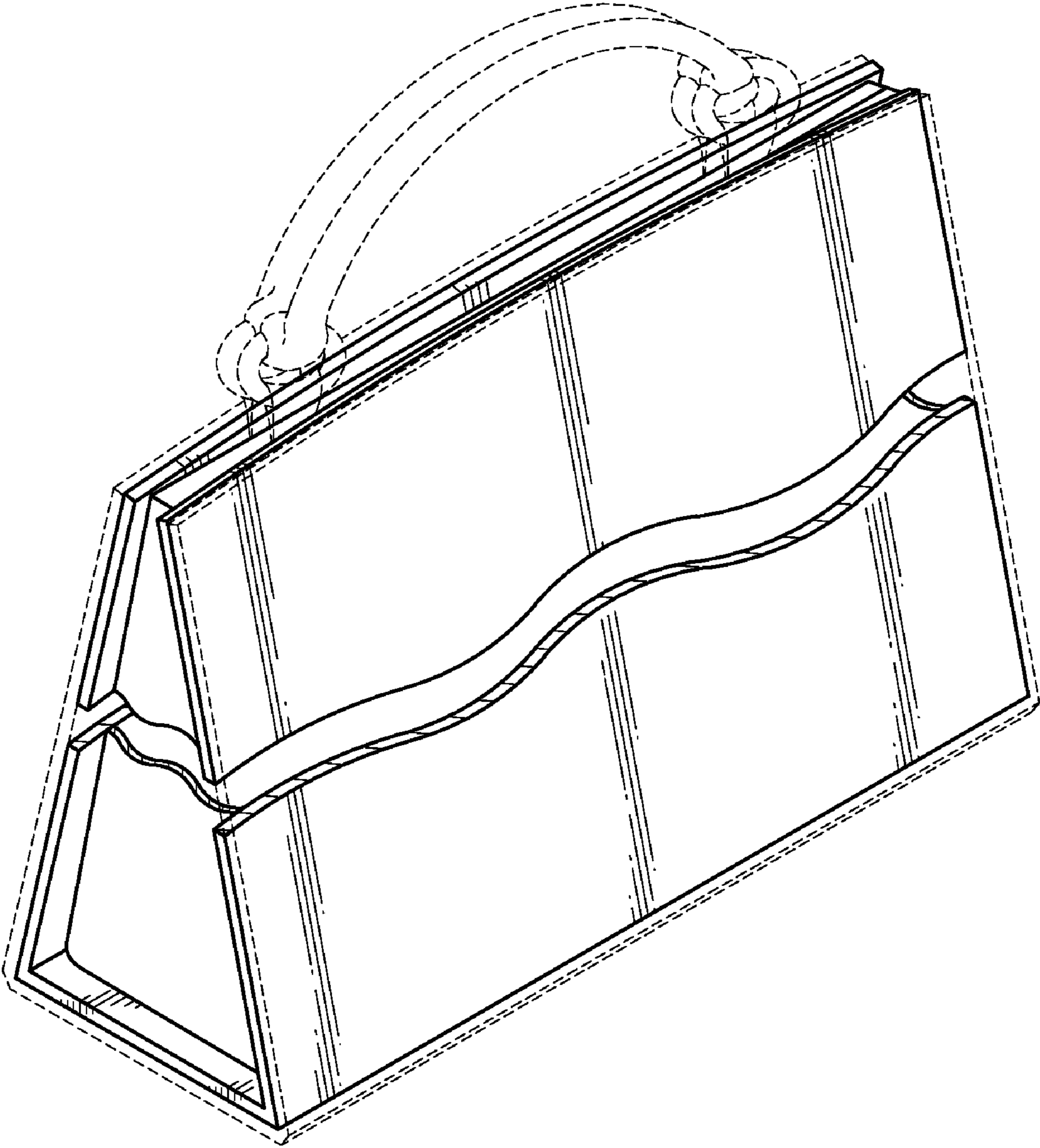
FOREIGN PATENT DOCUMENTS

GB 2350285 A1 11/2000  
GB 2377882 A1 1/2003  
JP 2002051816 2/2002  
KR 20-030050218 5/2004  
WO 0191596 12/2001  
WO 2005008552 A1 1/2005  
WO 2006002005 A2 1/2006  
WO 2006122197 11/2006

OTHER PUBLICATIONS

“Rock Album Cover Tote Bag with interchangeable panel”, Eco-Artware, <http://www.eco-artware.com/catalog/MMM1-album-tote.shtml> (accessed Mar. 21, 2007).  
International Search Report, PCT/US2007/085339, Mailed Mar. 14, 2008.  
International Search Opinon, PCT/US2007/085339, Mailed Mar. 14, 2008.  
European Search Report, 07845129.1-1258/2124666, Mailed Mar. 25, 2010.  
European Search Report, 09014069.0-1258/2163169, Mailed May 3, 2010.  
International Search Opinion, PCT/US2009/054896, Mailed Oct. 30, 2009.  
Office Action Mailed Oct. 27, 2009, U.S. Appl. No. 29/320,888.  
Office Action Mailed Mar. 9, 2010, U.S. Appl. No. 11/945,174.  
Office Action Mailed Jun. 23, 2010, U.S. Appl. No. 11/945,174.

\* cited by examiner



**Fig. 1**

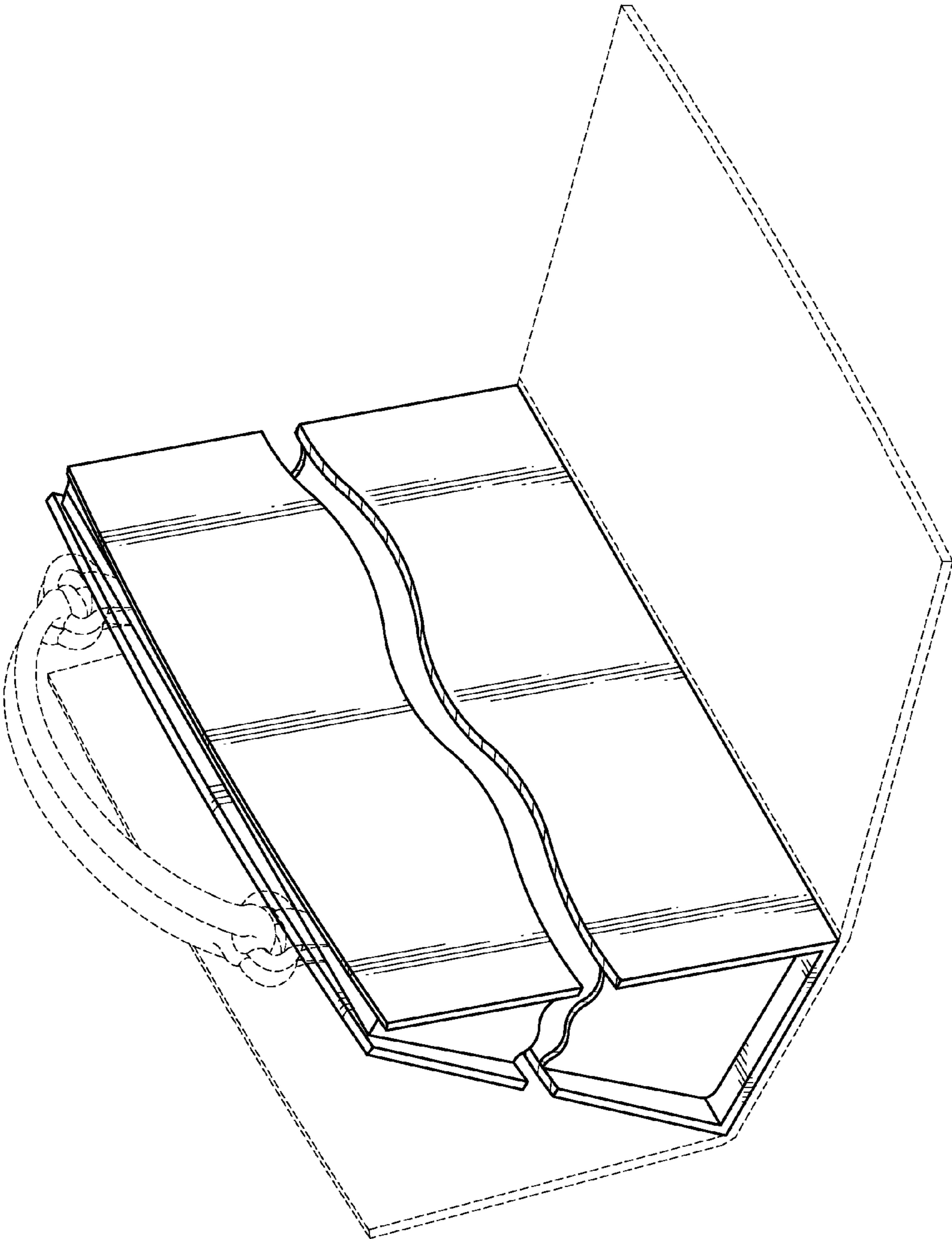
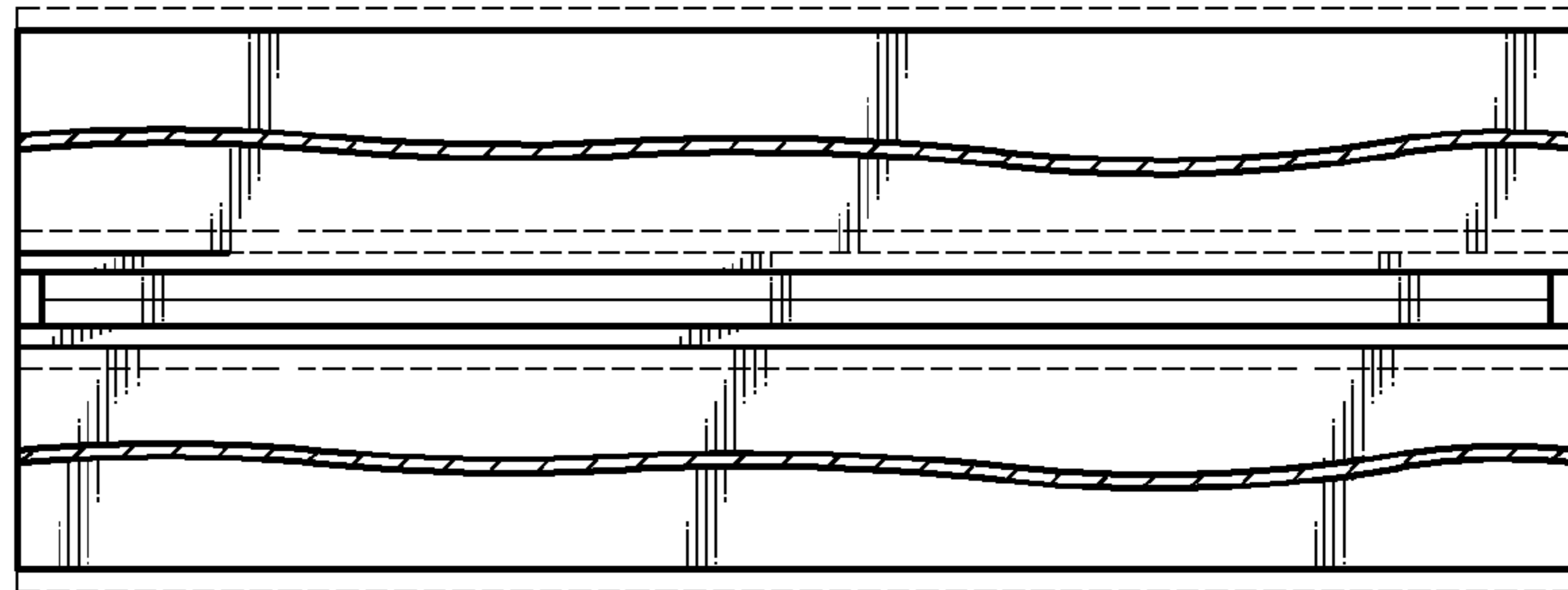
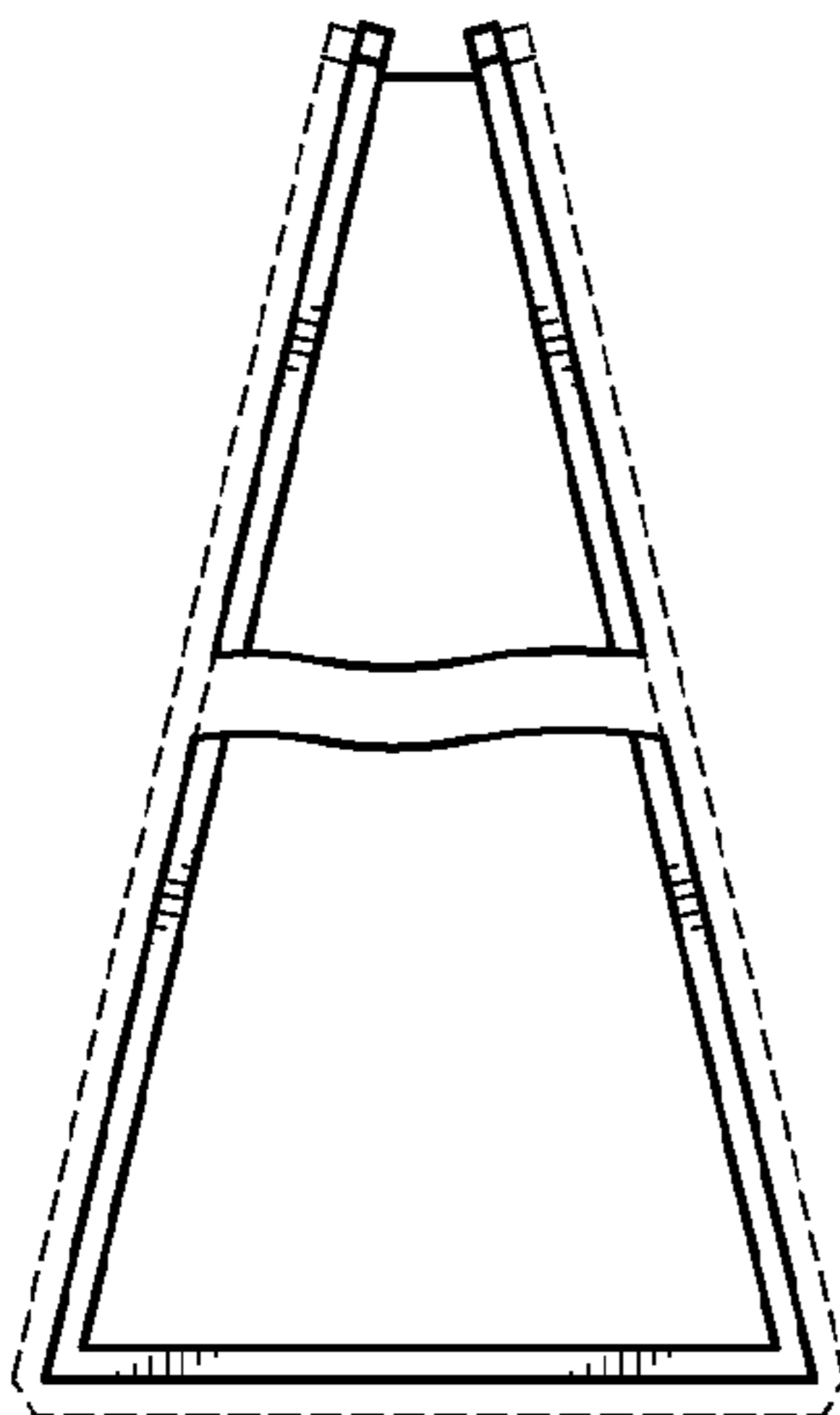


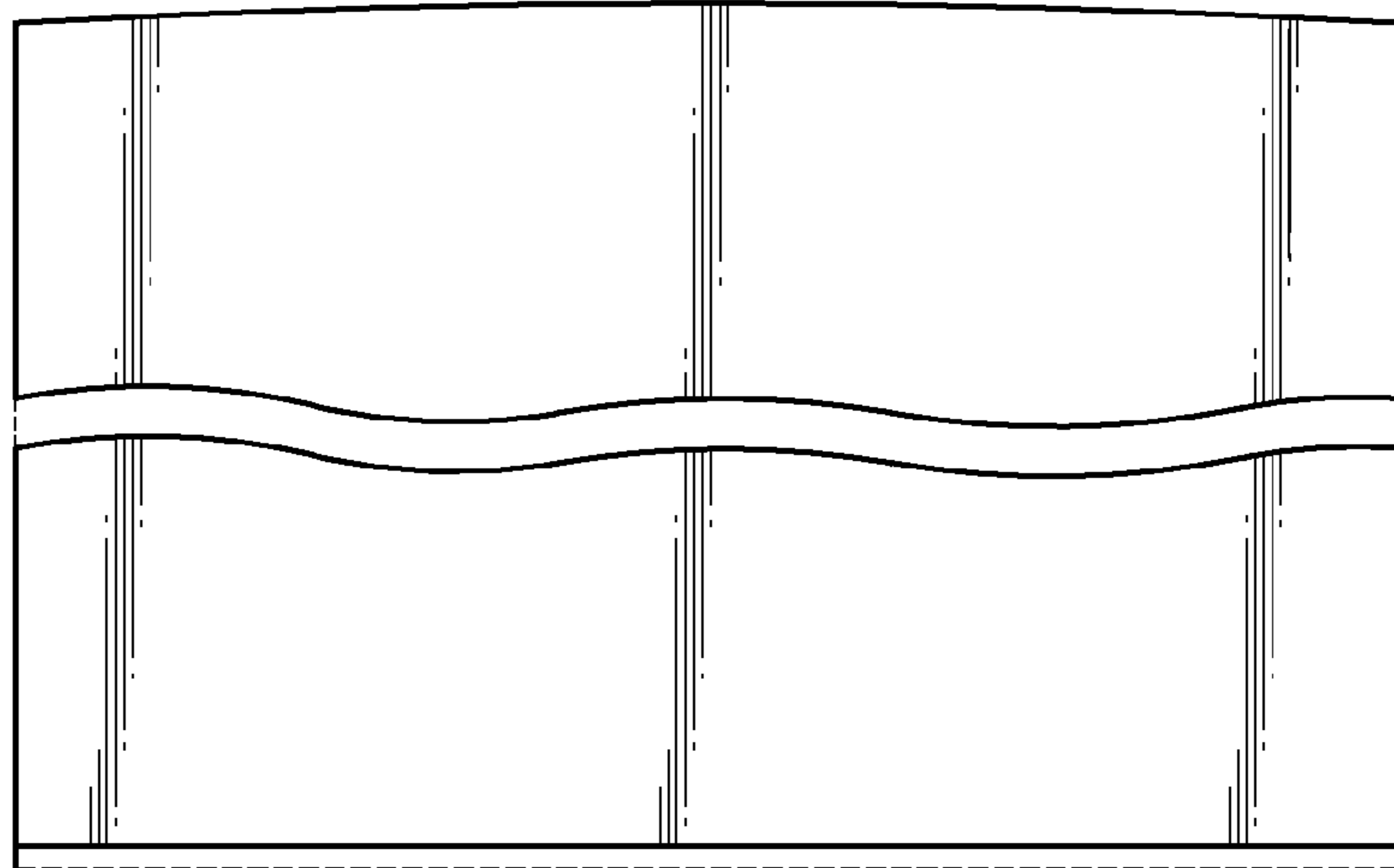
Fig. 2



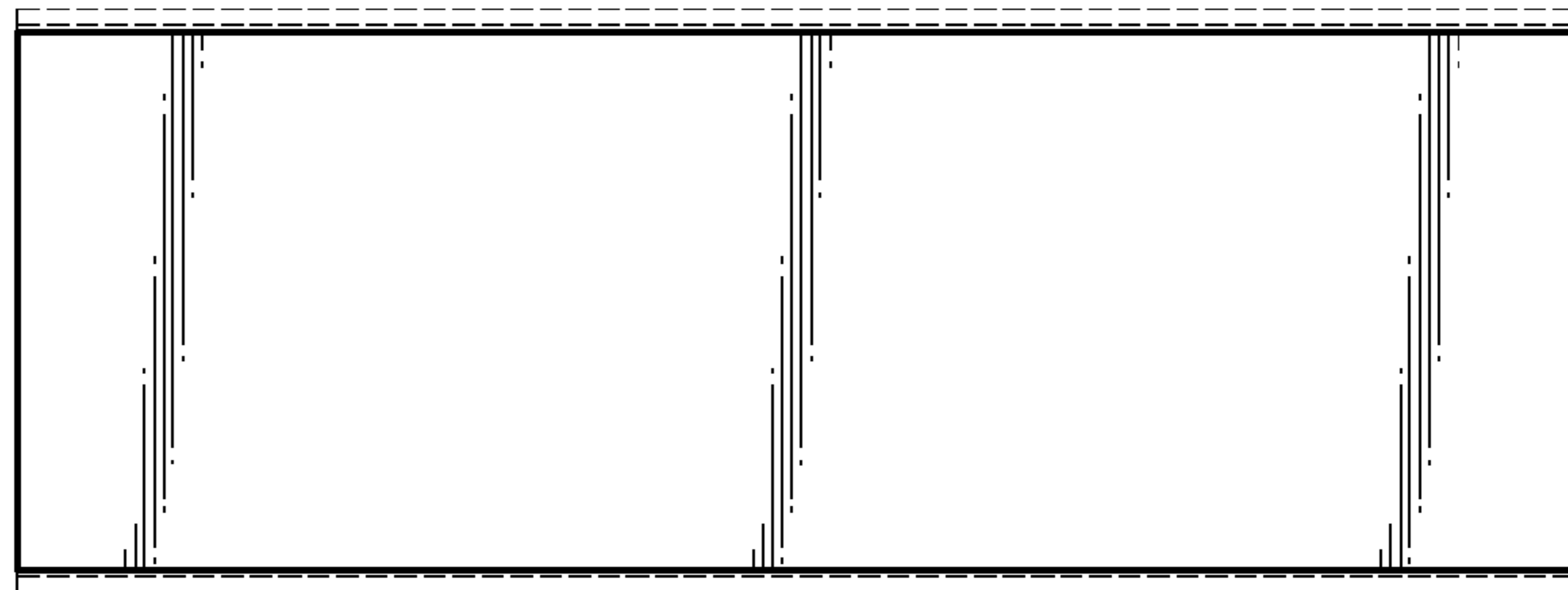
**Fig. 4**



**Fig. 5**



**Fig. 3**



**Fig. 6**