



US00D636983S

(12) **United States Design Patent**
Torrance et al.

(10) **Patent No.:** **US D636,983 S**
(45) **Date of Patent:** **** May 3, 2011**

(54) **CYCLING SHOE**

(75) Inventors: **Tony L. Torrance**, Boulder, CO (US);
Charles P. Roth, Portland, OR (US)

(73) Assignee: **Dashamerica, Inc.**, Louisville, CO (US)

(**) Term: **14 Years**

(21) Appl. No.: **29/338,197**

(22) Filed: **Jun. 5, 2009**

(51) **LOC (9) Cl.** **02-04**

(52) **U.S. Cl.** **D2/969; D2/907**

(58) **Field of Classification Search** D2/896,
D2/902, 906-908, 943, 944, 969, 972-974;
36/45-49, 50.1, 77 M, 77 R, 83, 88, 113,
36/114, 126-131

See application file for complete search history.

(56) **References Cited**

U.S. PATENT DOCUMENTS

535,816	A *	3/1895	Cushman	36/131
589,443	A *	9/1897	Rathbun	36/131
1,841,942	A	1/1932	Fenton	
2,863,231	A	12/1958	Jones	
3,344,537	A	10/1967	Diamant	
3,662,435	A	5/1972	Allsop	
3,965,544	A	6/1976	Boden	
4,030,215	A	6/1977	Vogel	
4,055,699	A	10/1977	Hsiung	
4,120,101	A	10/1978	Drew	
4,192,086	A	3/1980	Sichak	
4,296,053	A	10/1981	Doerer et al.	
4,296,499	A	10/1981	Patterson et al.	
4,366,634	A	1/1983	Giese et al.	
4,381,613	A	5/1983	Lederer	
4,395,801	A	8/1983	Gabrielli	
4,408,402	A	10/1983	Looney	
4,433,457	A	2/1984	Chalmers, II et al.	
4,446,633	A	5/1984	Scheinhaus et al.	
4,486,965	A	12/1984	Friton	

(Continued)

FOREIGN PATENT DOCUMENTS

EP 0161441 11/1985
(Continued)

OTHER PUBLICATIONS

“Specialized Body Geometry High Performance Footbed,” R&A Cycles, available at <http://www.racycles.com/clothing/accessories/shoe-accessories/specialized-body-geometry-high-performance-footbed.aspx>, 2 pages, accessed May 20, 2009.

(Continued)

Primary Examiner — Dominic Simone

(74) *Attorney, Agent, or Firm* — Sheridan Ross P.C.

(57) **CLAIM**

The ornamental design for a cycling shoe, as shown and described.

DESCRIPTION

FIG. 1 is a top plan view of a cycling shoe design showing our new design;

FIG. 2 is a right side view thereof;

FIG. 3 is a left side view thereof

FIG. 4 is a front view thereof;

FIG. 5 is a rear view thereof;

FIG. 6 is a top plan view of a second embodiment of the cycling shoe illustrated in FIG. 1, the only distinction being the configuration of the bottom surface, it being understood that all other surfaces are the same as those in the first embodiment;

FIG. 7 is right side view of FIG. 6;

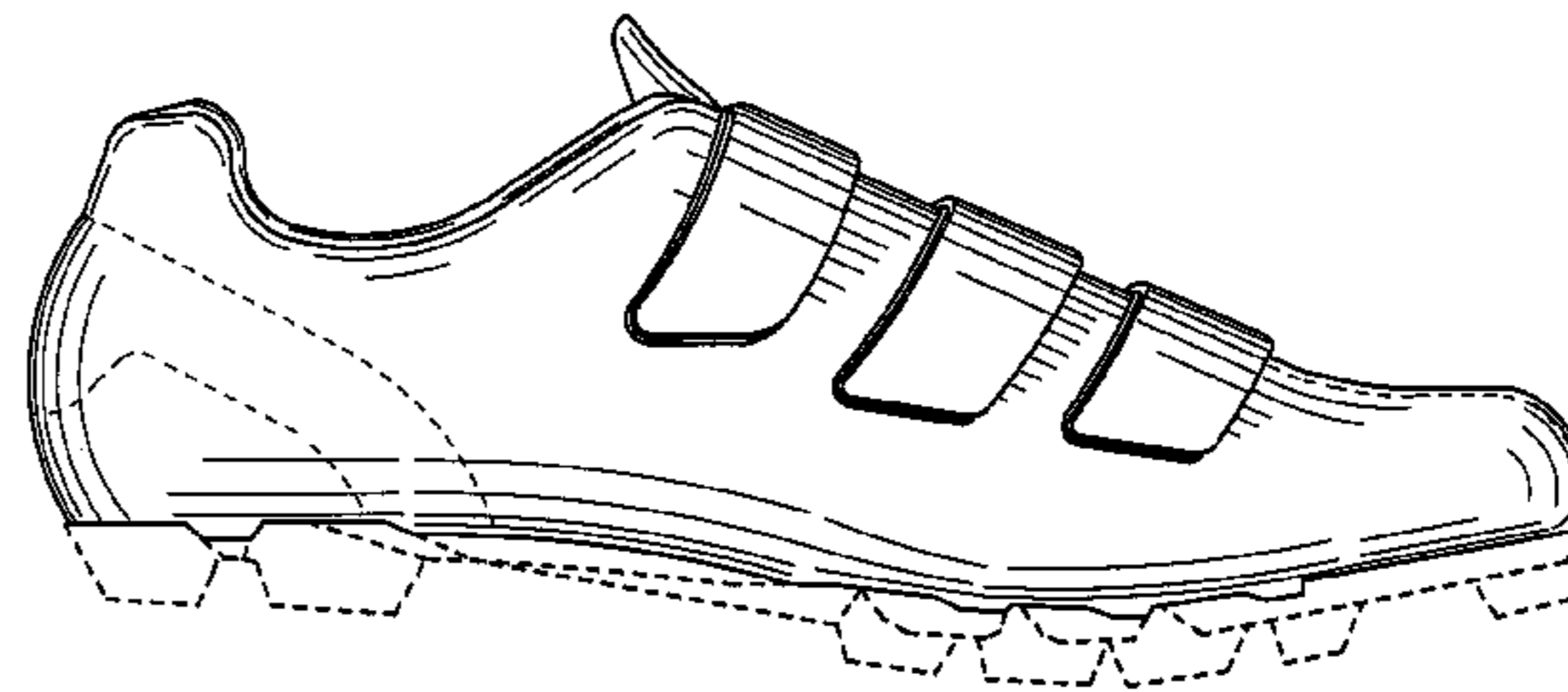
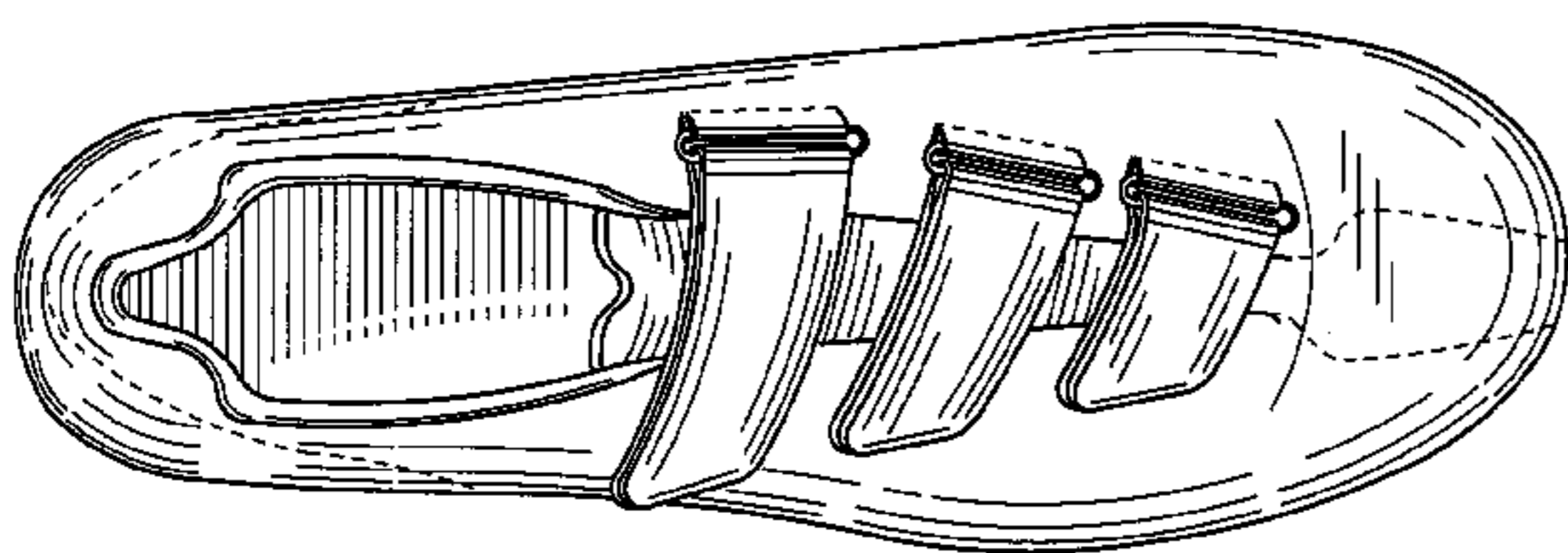
FIG. 8 is left side view of FIG. 6;

FIG. 9 is front view of FIG. 6; and,

FIG. 10 is rear view of FIG. 6.

The broken line showing of the bottom surface of the cycling shoe is for illustrative purposes only and forms no part of the claimed design.

1 Claim, 4 Drawing Sheets



US D636,983 S

U.S. PATENT DOCUMENTS					
		4,598,484 A	7/1986	Ma	
		4,642,911 A	2/1987	Talarico, II	
		4,682,425 A	7/1987	Simmons	
		4,761,898 A	8/1988	Courvoisier et al.	
		4,815,221 A	3/1989	Diaz	
		4,815,222 A	3/1989	Eisenbach et al.	
		4,841,647 A	6/1989	Turucz	
		4,845,864 A	7/1989	Corliss	
		4,910,883 A	3/1990	Zock	
		4,922,630 A	5/1990	Robinson	
		4,959,912 A	10/1990	Kaufman et al.	
		4,999,237 A	3/1991	Mellors et al.	
		5,138,777 A	8/1992	Darby	
		5,172,454 A	12/1992	Martignago	
		5,174,052 A	12/1992	Schoenhaus et al.	
		5,212,894 A	5/1993	Paparo	
		5,371,926 A	12/1994	Van Noy et al.	
		5,416,952 A	5/1995	Dodge	
		5,416,987 A	5/1995	Bemis et al.	
		5,454,173 A	10/1995	Falguere et al.	
		5,537,763 A	7/1996	Donnadieu et al.	
		5,542,196 A	8/1996	Kantro	
		RE35,418 E	1/1997	Martignago	
		5,606,779 A	3/1997	Lu	
		5,630,253 A	5/1997	Benoit et al.	
		5,632,057 A	5/1997	Lyden	
		5,642,555 A	7/1997	Lin	
		5,647,150 A	7/1997	Romanato et al.	
		5,675,917 A	10/1997	Falguere et al.	
		5,727,337 A	3/1998	Okajima	
		5,745,959 A	5/1998	Dodge	
		5,745,963 A	5/1998	Graziano	
		5,779,259 A	7/1998	Lin	
		5,845,371 A	12/1998	Chen	
		5,852,852 A	12/1998	Rigal	
		5,884,370 A	3/1999	Bergamin	
		5,909,850 A	6/1999	Cavasin et al.	
		5,933,984 A	8/1999	Carlson et al.	
		5,961,544 A	10/1999	Goldman et al.	
		6,029,374 A	2/2000	Herr et al.	
		6,035,554 A	3/2000	Duncan	
		6,055,707 A	5/2000	Simioni	
		6,055,747 A	5/2000	Lombardino	
		6,079,125 A	6/2000	Quellais et al.	
		6,083,857 A	7/2000	Bottger et al.	
		6,092,311 A	7/2000	MacNamara	
		6,120,880 A	9/2000	Crow	
		6,131,309 A	10/2000	Walsh	
		D434,209 S	11/2000	McKinney	
		6,163,941 A	12/2000	Lai	
		6,175,994 B1	1/2001	Nicoletti	
		6,196,084 B1 *	3/2001	Ueda 36/131	
		6,205,684 B1	3/2001	Snyder	
		6,216,365 B1	4/2001	Cohen	
		6,289,558 B1	9/2001	Hammerslag	
		6,311,372 B1	11/2001	Wang	
		6,327,795 B1	12/2001	Russell	
		D456,125 S	4/2002	Grisoni et al.	
		D456,126 S	4/2002	Grisoni et al.	
		D456,127 S	4/2002	Grisoni et al.	
		6,374,464 B1	4/2002	Lai	
		6,393,731 B1	5/2002	Moua et al.	
		6,405,456 B1	6/2002	Nichelson	
		6,418,643 B1	7/2002	Yang	
		D462,510 S	9/2002	Goodrich et al.	
		6,453,578 B1	9/2002	Yung et al.	
		6,467,195 B2	10/2002	Pierre et al.	
		6,474,000 B2	11/2002	Burt	
		6,477,793 B1	11/2002	Pruitt et al.	
		6,487,796 B1	12/2002	Avar et al.	
		6,499,235 B2	12/2002	Lussier et al.	
		6,505,424 B2	1/2003	Oorei et al.	
		6,536,795 B2	3/2003	Okajima et al.	
		D473,702 S *	4/2003	Burg et al. D2/969	
		6,546,648 B2	4/2003	Dixon	
		6,554,297 B2	4/2003	Phillips et al.	
		6,557,271 B1	5/2003	Weaver, III	
		6,557,274 B2	5/2003	Litchfield et al.	
		6,568,102 B1	5/2003	Healy et al.	
		D475,186 S *	6/2003	Shea et al. D2/969	
		6,598,320 B2	7/2003	Turner et al.	
		6,601,042 B1	7/2003	Lyden	
		6,606,803 B1	8/2003	Ritter et al.	
		6,609,276 B1	8/2003	Lin	
		6,622,401 B2	9/2003	Carroll, III	
		D480,327 S	10/2003	Hollinger	
		6,662,415 B1	12/2003	Lin	
		6,665,957 B2	12/2003	Levert et al.	
		D485,668 S *	1/2004	Galway D2/969	
		6,694,642 B2	2/2004	Turner	
		6,694,644 B2	2/2004	Haupt	
		6,711,834 B1	3/2004	Kita	
		6,722,058 B2	4/2004	Lucas et al.	
		6,729,047 B2	5/2004	Hirayama	
		6,733,031 B2	5/2004	Okajima et al.	
		D492,098 S *	6/2004	Magro D2/907	
		6,748,630 B2	6/2004	Livingston	
		6,749,187 B2	6/2004	Yang	
		6,751,891 B2	6/2004	Lombardino	
		6,763,611 B1	7/2004	Fusco	
		6,772,540 B2	8/2004	Delgorgue et al.	
		6,772,541 B1	8/2004	Ritter et al.	
		6,773,020 B2	8/2004	Gonthier	
		6,775,928 B2	8/2004	Grande et al.	
		D495,861 S	9/2004	Georgiou et al.	
		6,829,848 B2	12/2004	Gallegos	
		6,842,999 B2	1/2005	Russell	
		6,845,575 B1	1/2005	Hwang	
		6,851,204 B2	2/2005	Aveni et al.	
		6,857,204 B1	2/2005	Davis et al.	
		6,859,981 B2	3/2005	Hsiao	
		6,860,034 B2	3/2005	Schmid	
		6,866,043 B1	3/2005	Davis	
		6,874,258 B2	4/2005	Clough et al.	
		6,880,267 B2	4/2005	Smaldone et al.	
		6,884,136 B1	4/2005	McCarthy	
		6,898,870 B1	5/2005	Rohde	
		6,922,917 B2	8/2005	Kerns et al.	
		6,939,502 B2	9/2005	Lyden	
		6,944,972 B2	9/2005	Schmid	
		6,948,262 B2	9/2005	Kerrigan	
		6,948,264 B1	9/2005	Lyden	
		6,964,120 B2	11/2005	Cartier et al.	
		6,968,636 B2	11/2005	Aveni et al.	
		D517,298 S *	3/2006	James D2/969	
		7,013,583 B2	3/2006	Greene et al.	
		7,016,867 B2	3/2006	Lyden	
		7,036,830 B2	5/2006	Gonthier	
		7,055,265 B1	6/2006	Bathum et al.	
		7,082,698 B2	8/2006	Smaldone et al.	
		7,086,122 B2	8/2006	Livingston	
		7,100,308 B2	9/2006	Aveni	
		7,100,309 B2	9/2006	Smith et al.	
		7,107,235 B2	9/2006	Lyden	
		7,159,341 B2	1/2007	Davis et al.	
		7,200,957 B2	4/2007	Hubbard et al.	
		D541,515 S *	5/2007	Lane, III D2/969	
		D542,518 S *	5/2007	Marvin D2/969	
		7,232,132 B2	6/2007	Elkington	
		7,246,811 B2	7/2007	Martin	
		7,272,899 B1	9/2007	Marak	
		D555,889 S	11/2007	Anders et al.	
		7,401,424 B2 *	7/2008	Kerns et al. 36/131	
		7,437,837 B2	10/2008	Jacobs	
		7,490,417 B2	2/2009	Petrie	
		7,513,066 B2	4/2009	Kokstis et al.	
		7,533,478 B2 *	5/2009	Bird et al. 36/131	
		2001/0013157 A1	8/2001	Giancarlo	
		2002/0000707 A1	1/2002	Coudere	
		2002/0007569 A1	1/2002	Crane et al.	
		2002/0173739 A1	11/2002	Jensen	
		2003/0066207 A1	4/2003	Gaither	
		2003/0070321 A1	4/2003	Davis et al.	
		2004/0060154 A1	4/2004	Landry	
		2004/0118017 A1	6/2004	Dalton et al.	
		2004/0145131 A1	7/2004	Dalgaard	
		2004/0168354 A1	9/2004	Nguyen	

US D636,983 S

Page 3

2004/0194344	A1	10/2004	Tadin	2008/0000107	A1	1/2008	Styles
2005/0022427	A1	2/2005	Kerns et al.	2008/0052958	A1	3/2008	Pan
2005/0120591	A1	6/2005	Andrew	2008/0052964	A1	3/2008	Taylor
2005/0132613	A1	6/2005	Davis et al.	2008/0060225	A1	3/2008	Kilgore
2005/0178026	A1	8/2005	Friton	2008/0073229	A1	3/2008	Hays
2005/0186866	A1	8/2005	McCarthy	2008/0086910	A1	4/2008	Kim
2005/0198866	A1	9/2005	Wiper et al.	2008/0110054	A1	5/2008	Lewis
2005/0198868	A1	9/2005	Scholz	2008/0127518	A1	6/2008	Byrne et al.
2005/0284000	A1	12/2005	Kerns	2008/0155856	A1	7/2008	Bathum
2006/0010715	A1	1/2006	Tseng et al.	2008/0185799	A1	8/2008	Weisiger
2006/0010716	A1	1/2006	Kerns et al.	2008/0196273	A1	8/2008	Kosta
2006/0026864	A1	2/2006	Arbeiter	2008/0229614	A1	9/2008	Santa Ana
2006/0053664	A1	3/2006	Tager	2008/0250667	A1	10/2008	Rasmussen et al.
2006/0162187	A1	7/2006	Byrnes et al.	2008/0271339	A1	11/2008	Fischer
2006/0237920	A1	10/2006	Steere	2008/0271340	A1	11/2008	Grisoni et al.
2006/0242860	A1	11/2006	Canvin	2009/0038128	A1	2/2009	Cho
2006/0244241	A1	11/2006	Martin	2009/0090025	A1	4/2009	Cassiday et al.
2006/0265900	A1	11/2006	Lin				
2007/0022629	A1	2/2007	Bathum				
2007/0032148	A1	2/2007	McCarthy				
2007/0033836	A1	2/2007	Rasmussen et al.				
2007/0039209	A1	2/2007	White et al.				
2007/0043630	A1	2/2007	Lyden				
2007/0094815	A1	5/2007	Barak				
2007/0107267	A1	5/2007	Hodgson				
2007/0191748	A1	8/2007	Buethorn				
2007/0255191	A1	11/2007	Cozzo et al.				
2007/0261268	A1	11/2007	Nguyen				
2007/0261269	A1	11/2007	Petrie				
2007/0283594	A1	12/2007	Sink				

FOREIGN PATENT DOCUMENTS

GB	2333688	8/1999
JP	2003-235602	8/2003

OTHER PUBLICATIONS

“Specialized Shoes: Speed and Comfort!” Seaside Cycle, available at <http://seasidecycle.com/page.cfm?PageID=106>, 3 pages, accessed May 20, 2009.

* cited by examiner

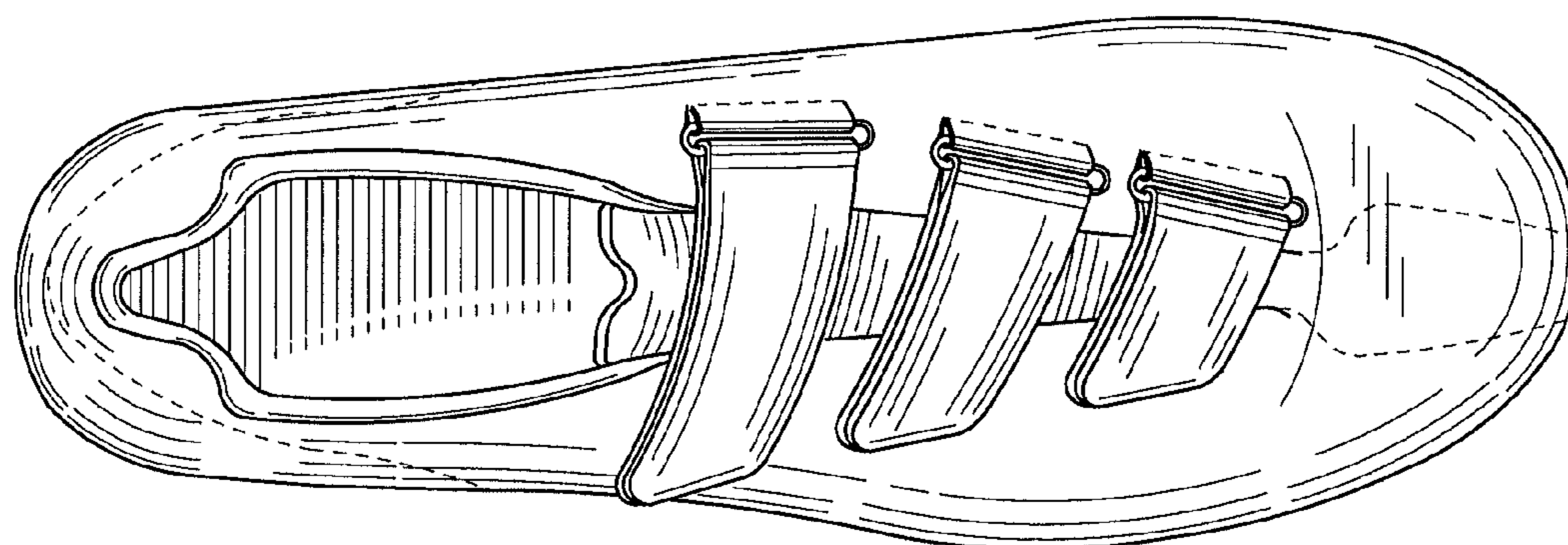


Fig. 1

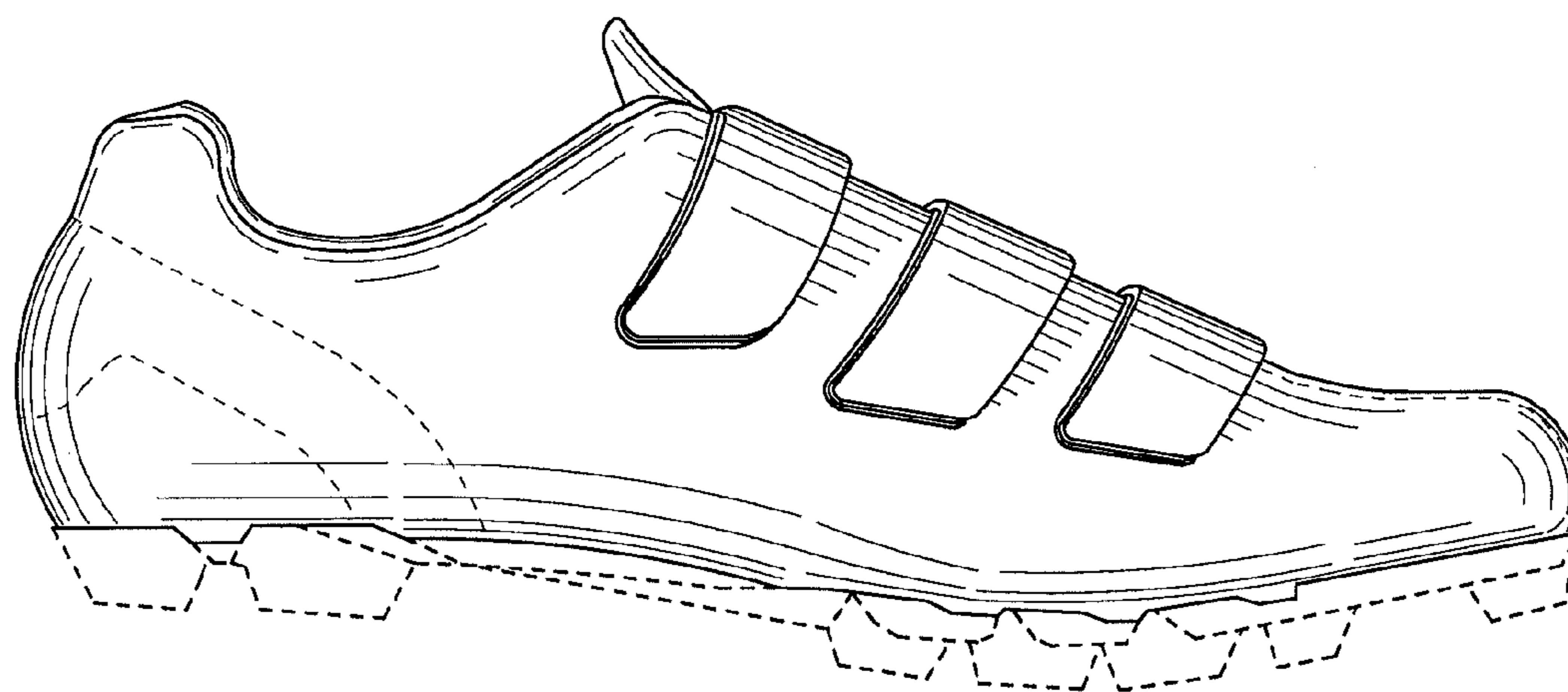


Fig. 2

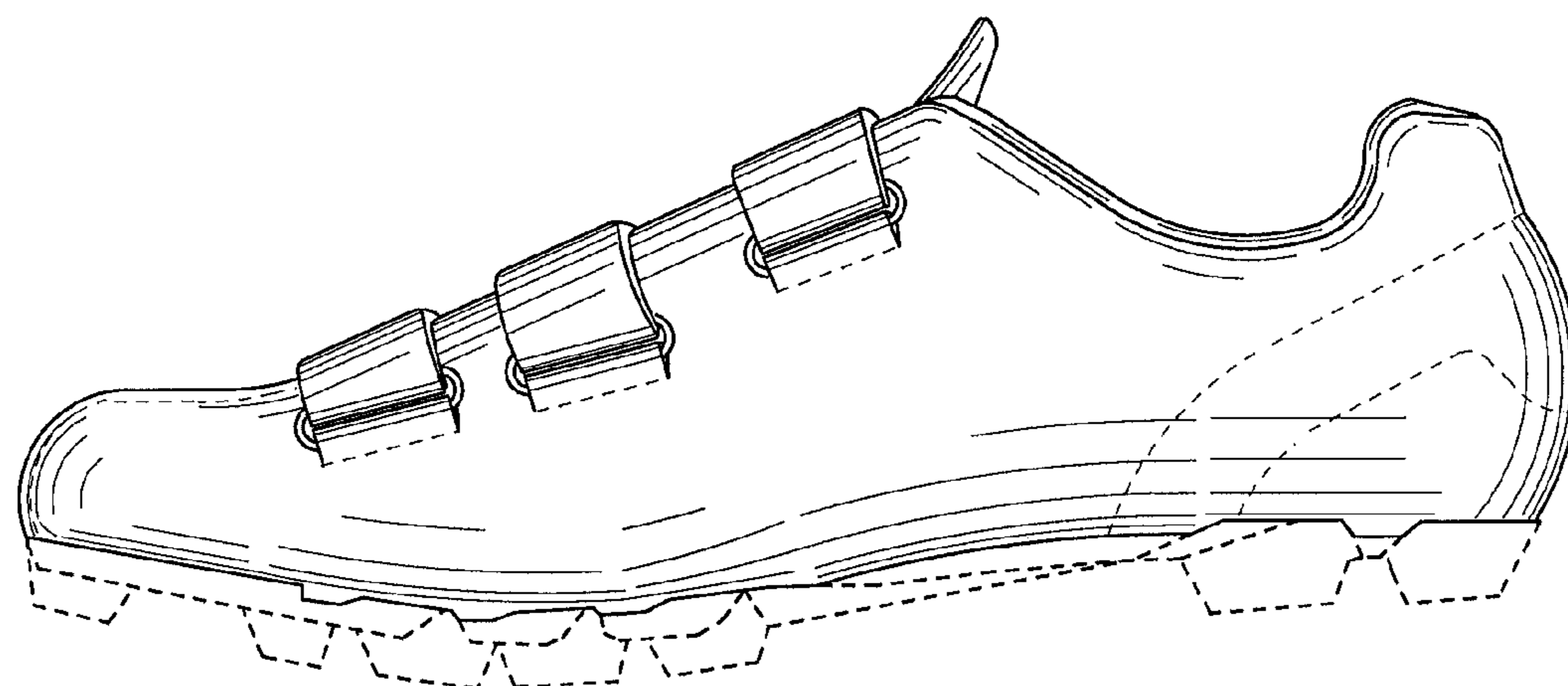


Fig. 3

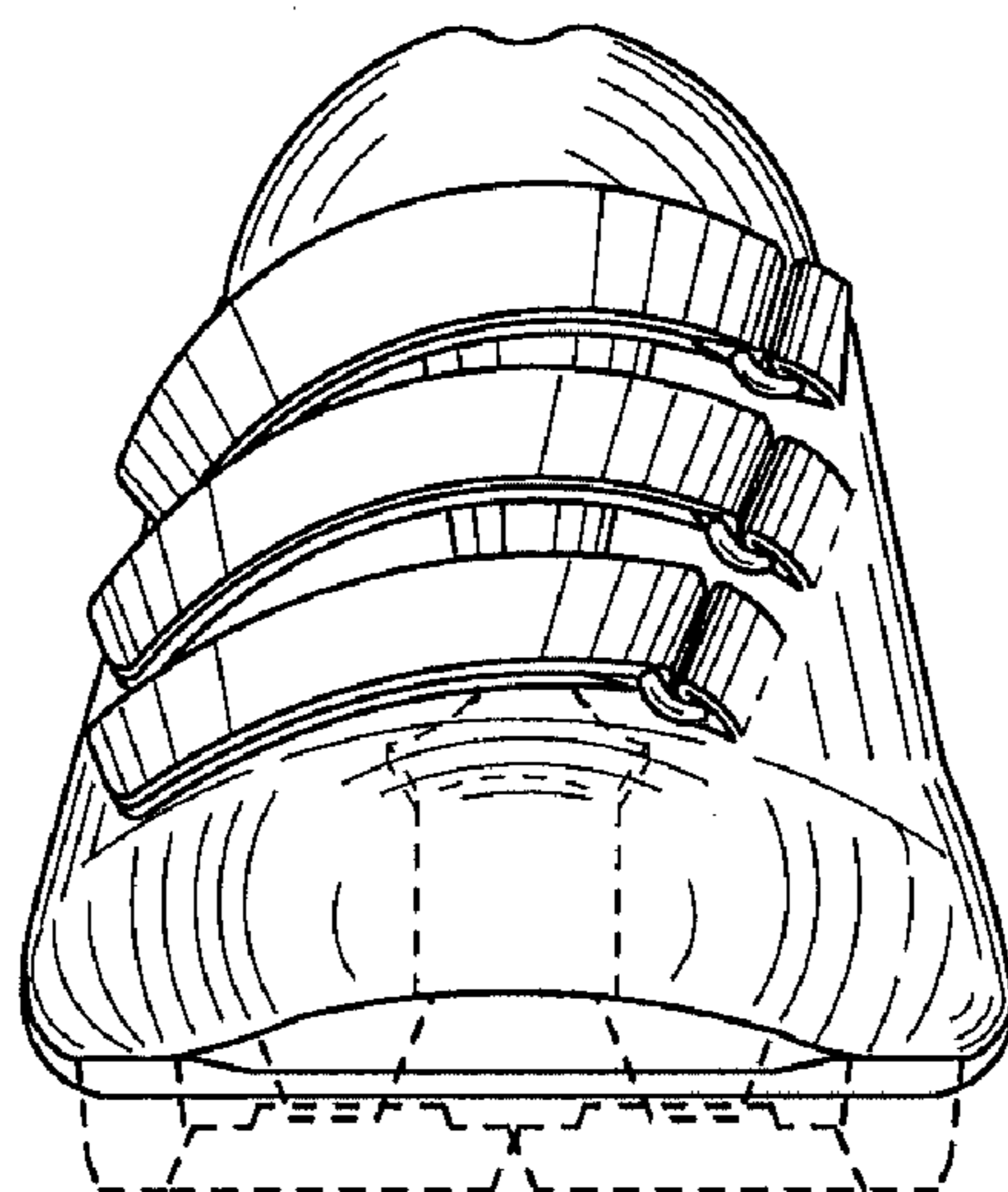


Fig. 4

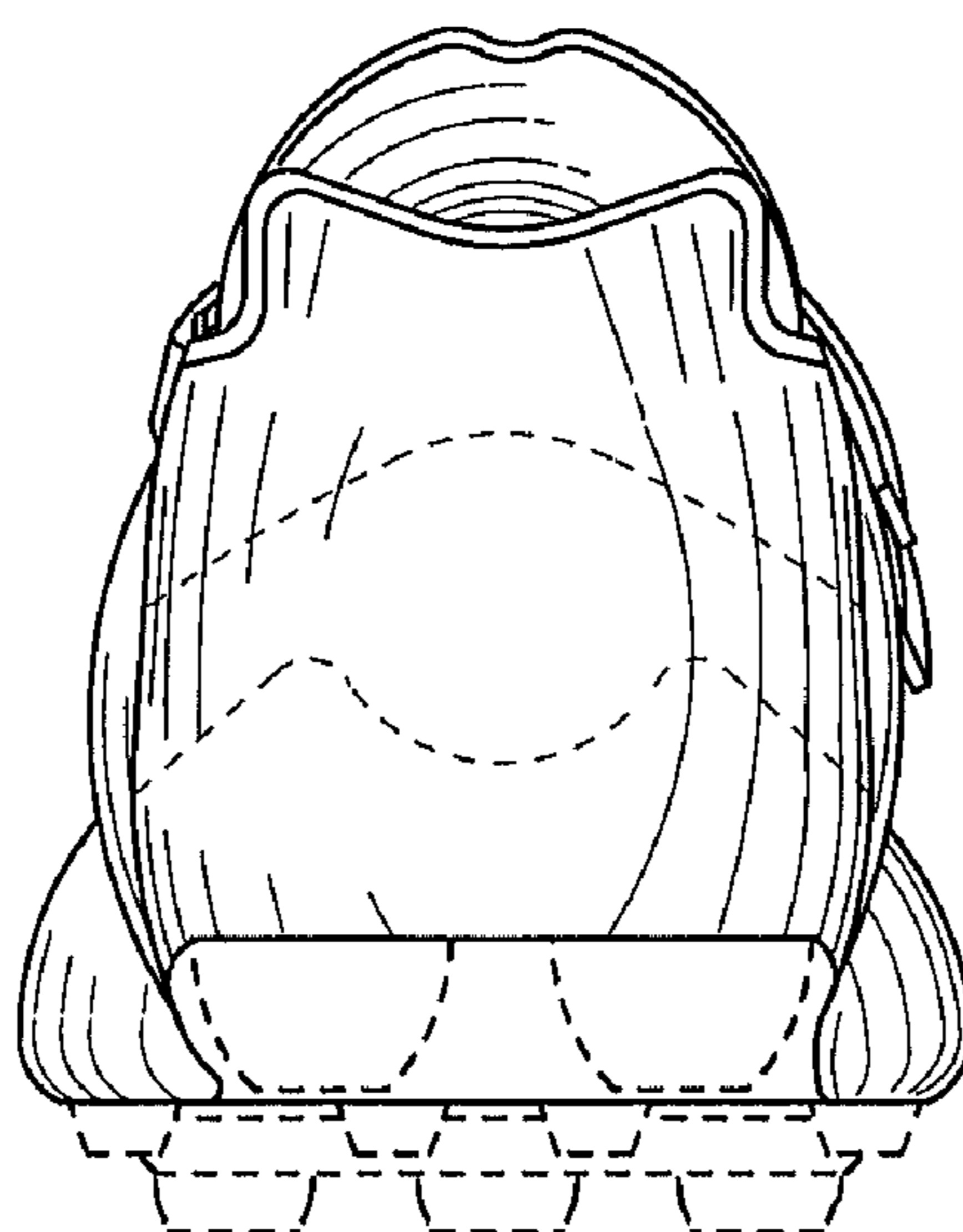


Fig. 5

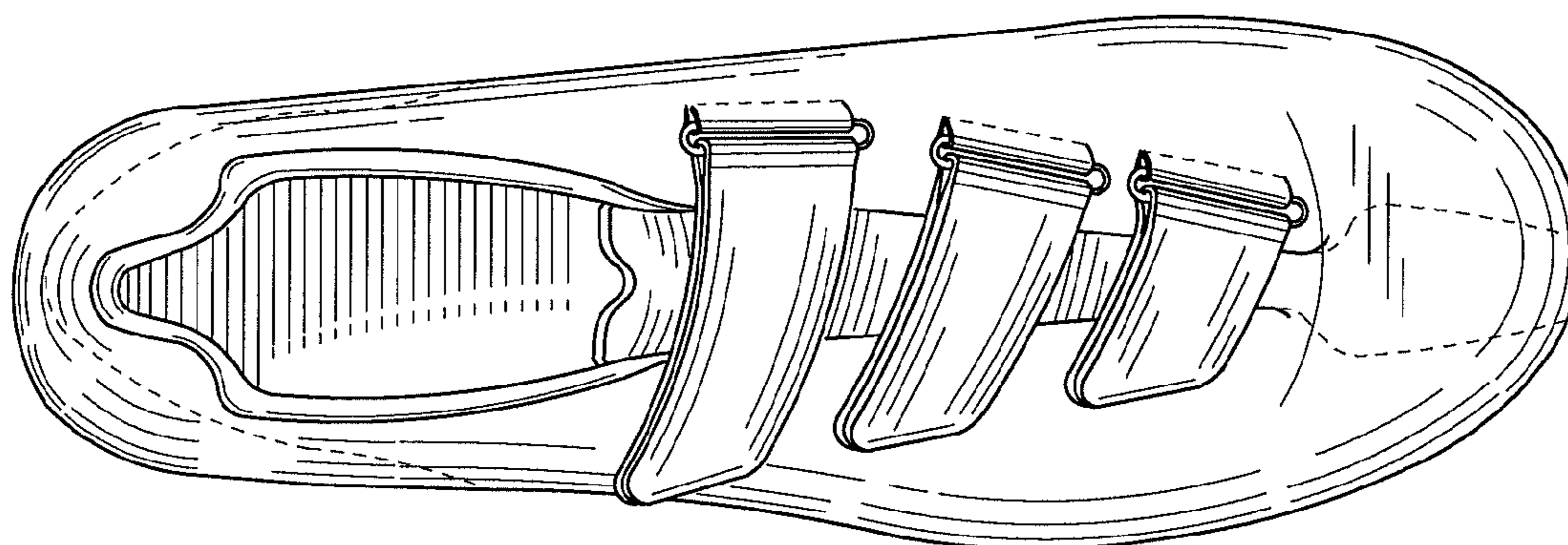


Fig. 6

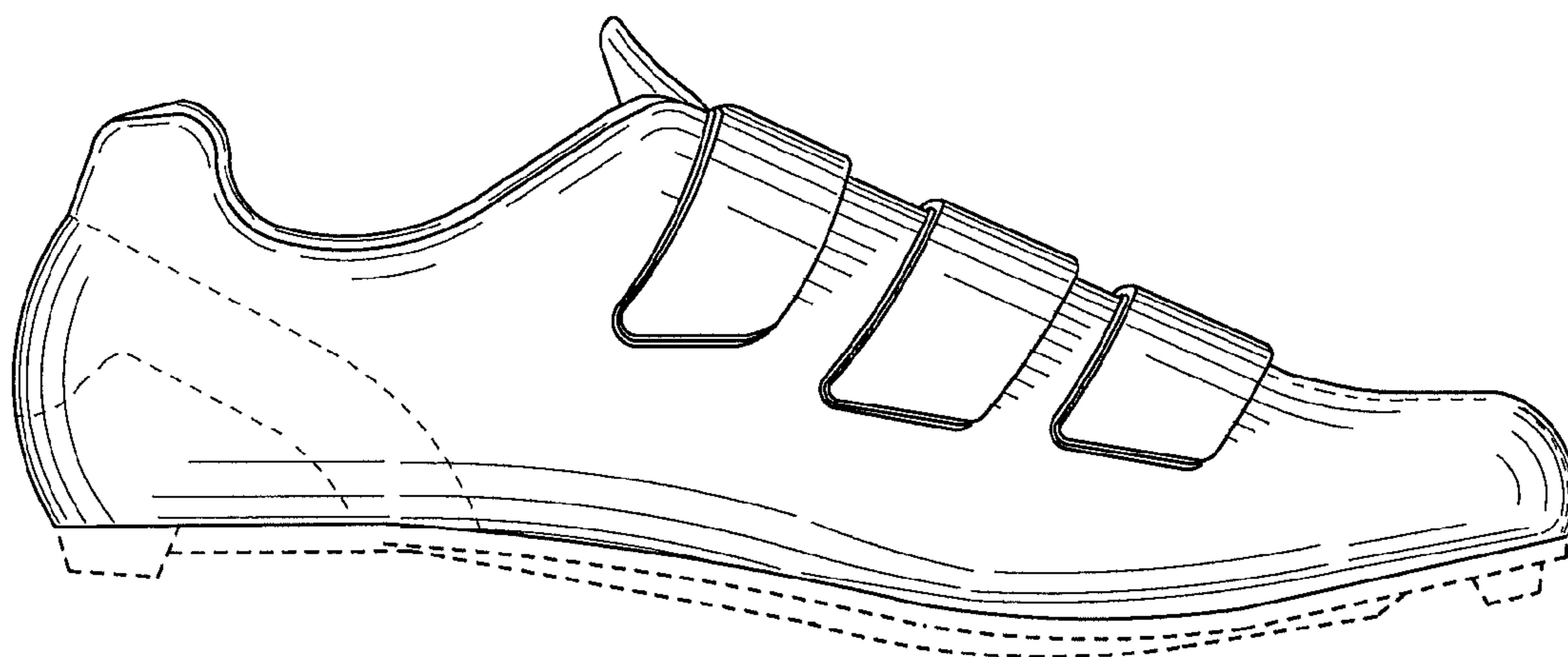


Fig. 7

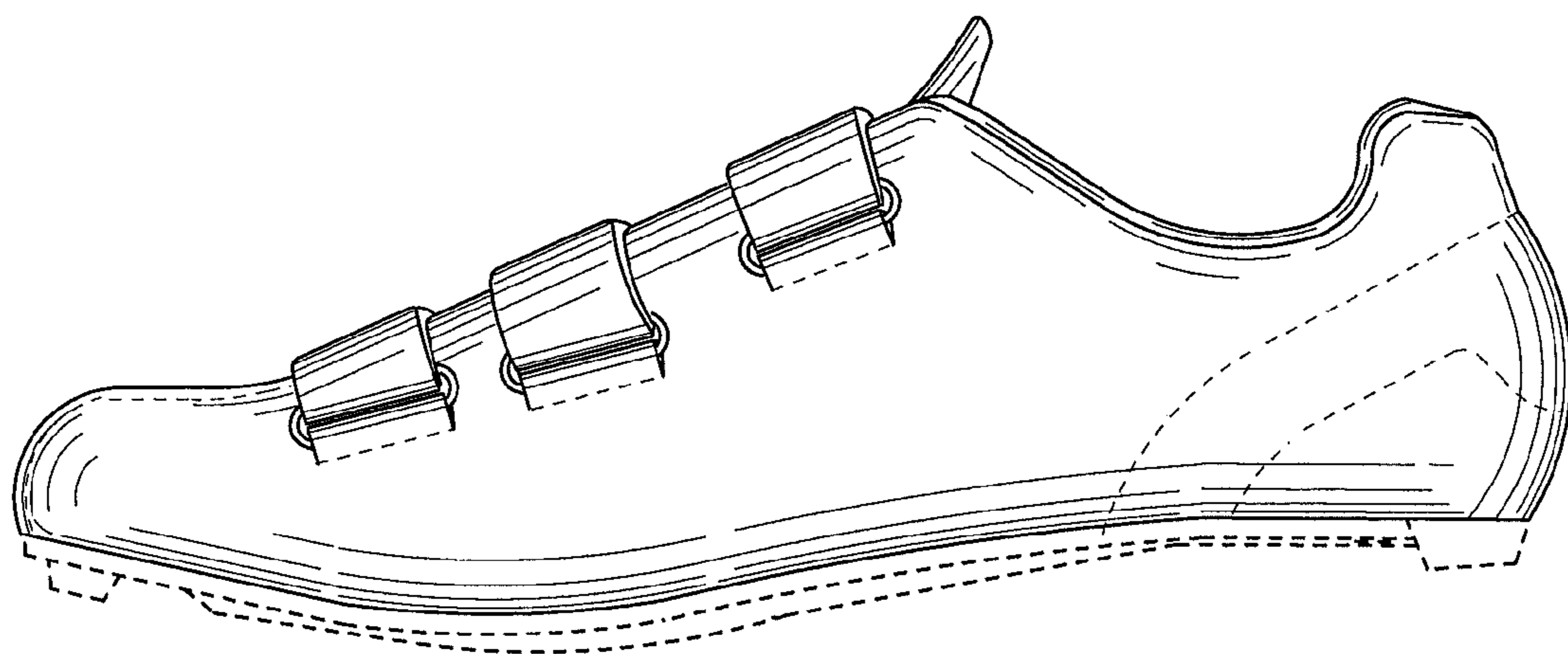


Fig. 8

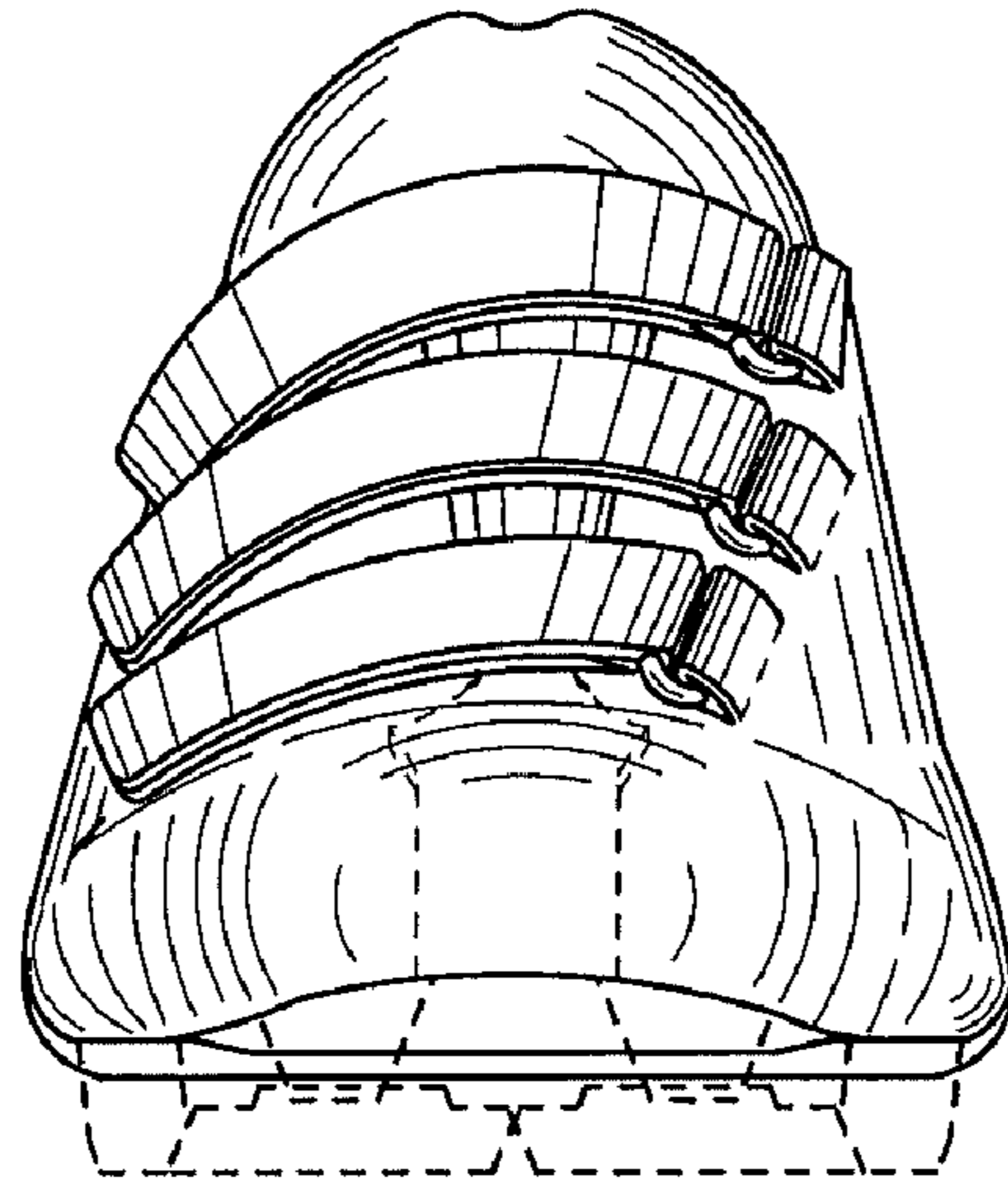


Fig. 9

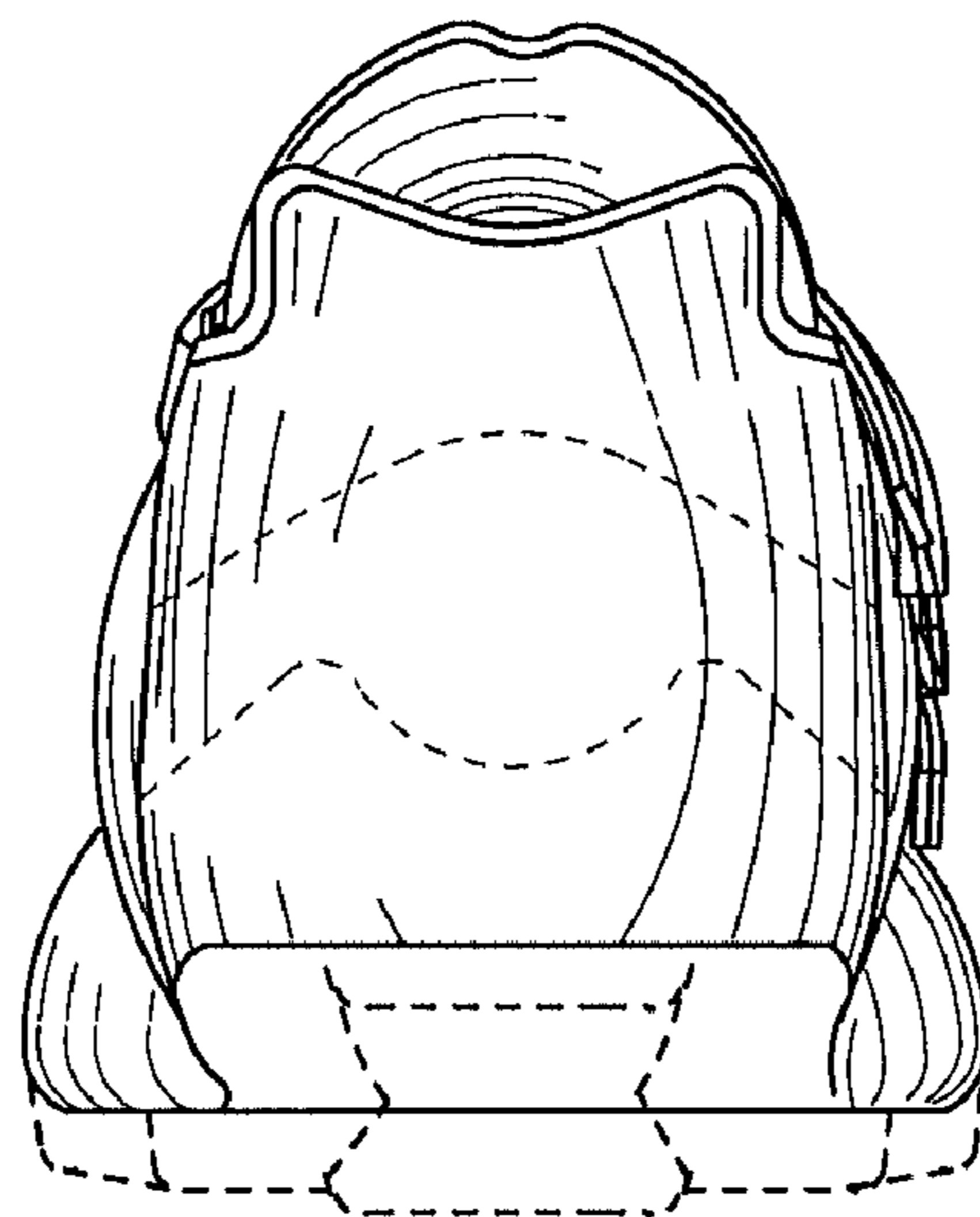


Fig. 10