



US00D636965S

(12) **United States Design Patent**
Stiles

(10) **Patent No.:** **US D636,965 S**

(45) **Date of Patent:** **** Apr. 26, 2011**

(54) **MEMORIAL MARKER**
(75) Inventor: **Carey B. Stiles**, Milan, OH (US)
(73) Assignee: **Hueter Toledo, Inc.**, Bellevue, OH (US)
(**) Term: **14 Years**

(21) Appl. No.: **29/360,243**
(22) Filed: **Apr. 22, 2010**
(51) **LOC (9) Cl.** **06-99**
(52) **U.S. Cl.** **D99/17**
(58) **Field of Classification Search** D99/15,
D99/16, 17, 18; 40/124.5, 606.03, 607.06,
40/607.05, 647, 653; 52/3, 38, 103, 104;
D8/388, 1; D20/27; 27/1
See application file for complete search history.

(56) **References Cited**
U.S. PATENT DOCUMENTS
1,425,361 A * 8/1922 Beroud 52/3
1,455,882 A * 5/1923 Harding 40/124.5
1,573,268 A * 2/1926 Norman 40/124.5
1,596,206 A * 8/1926 Mayer 40/653
1,892,745 A * 1/1933 Bolich 359/806
1,966,922 A * 7/1934 Coleman 40/124.5
1,983,807 A * 12/1934 Norman 40/124.5

2,593,468 A * 4/1952 Marsh 40/124.5
3,608,220 A * 9/1971 Fryrear 40/606.12
4,285,149 A * 8/1981 Berryhill 40/124.5
5,553,426 A * 9/1996 Ostergaard 52/103
6,925,740 B2 * 8/2005 Shannon 40/124.5
D578,725 S * 10/2008 Gunter D99/17

* cited by examiner

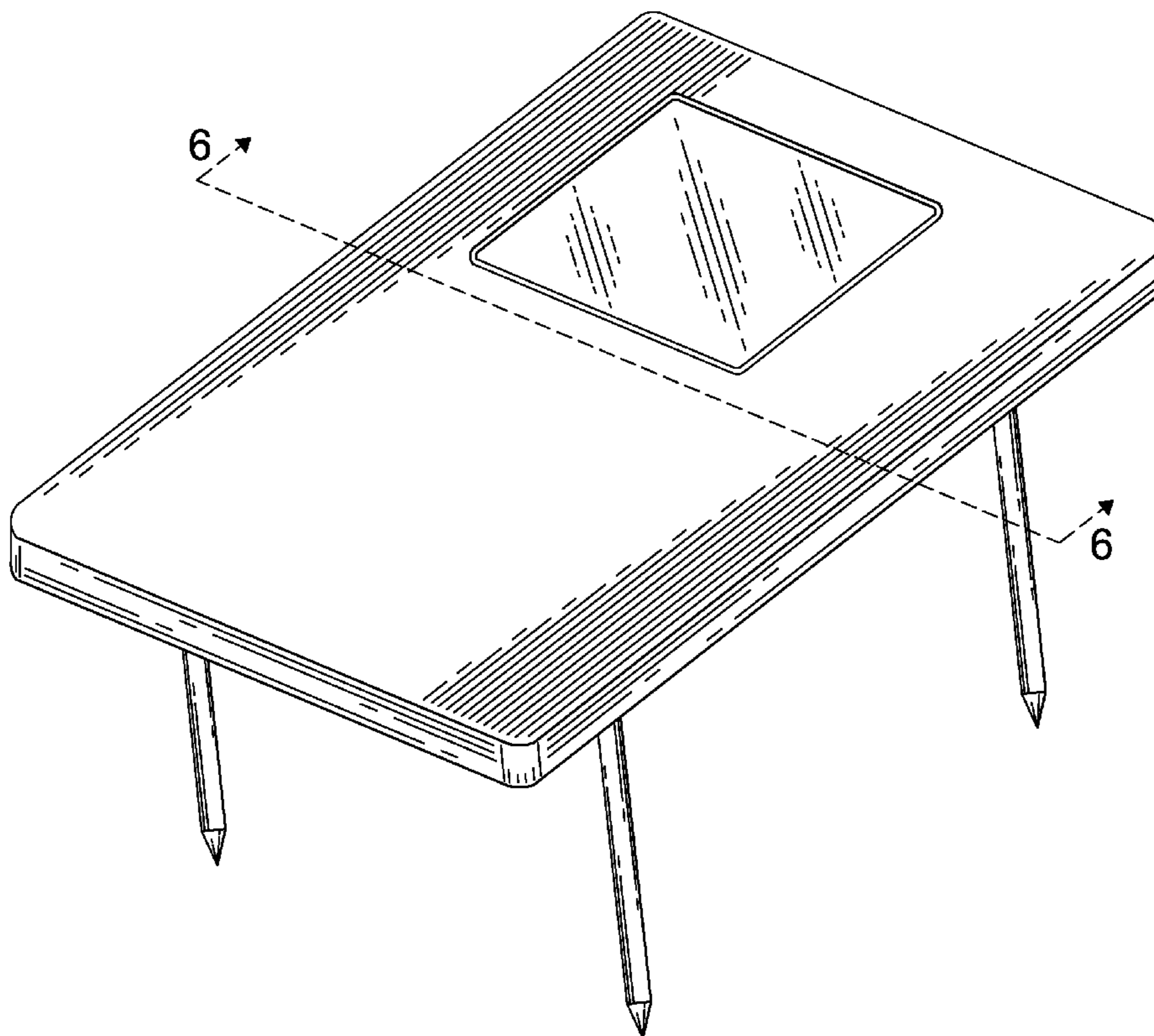
Primary Examiner — Paula Greene
(74) *Attorney, Agent, or Firm* — Fraser Clemens Martin & Miller LLC; J. Douglas Miller

(57) **CLAIM**
The ornamental design for a memorial marker, as shown and described.

DESCRIPTION

FIG. 1 is a perspective view of a memorial marker showing my new design;
FIG. 2 is a top plan view thereof;
FIG. 3 is a front elevational view thereof, the rear view is a mirror image;
FIG. 4 is a right side elevational view thereof, the left side elevational view is a mirror image;
FIG. 5 is a bottom plan view thereof; and,
FIG. 6 is a sectional view taken along line 6—6 of FIG. 1.

1 Claim, 4 Drawing Sheets



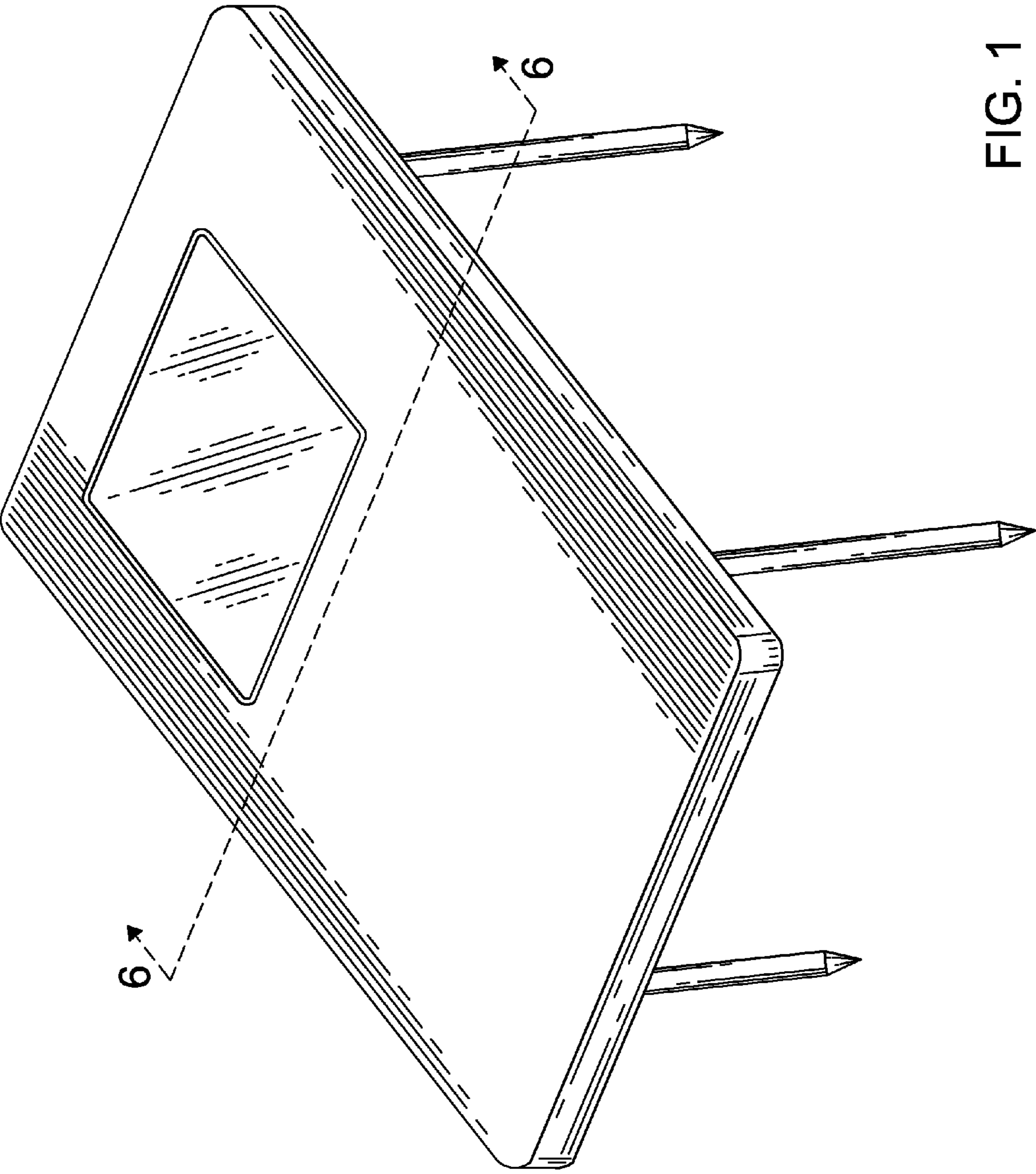


FIG. 1

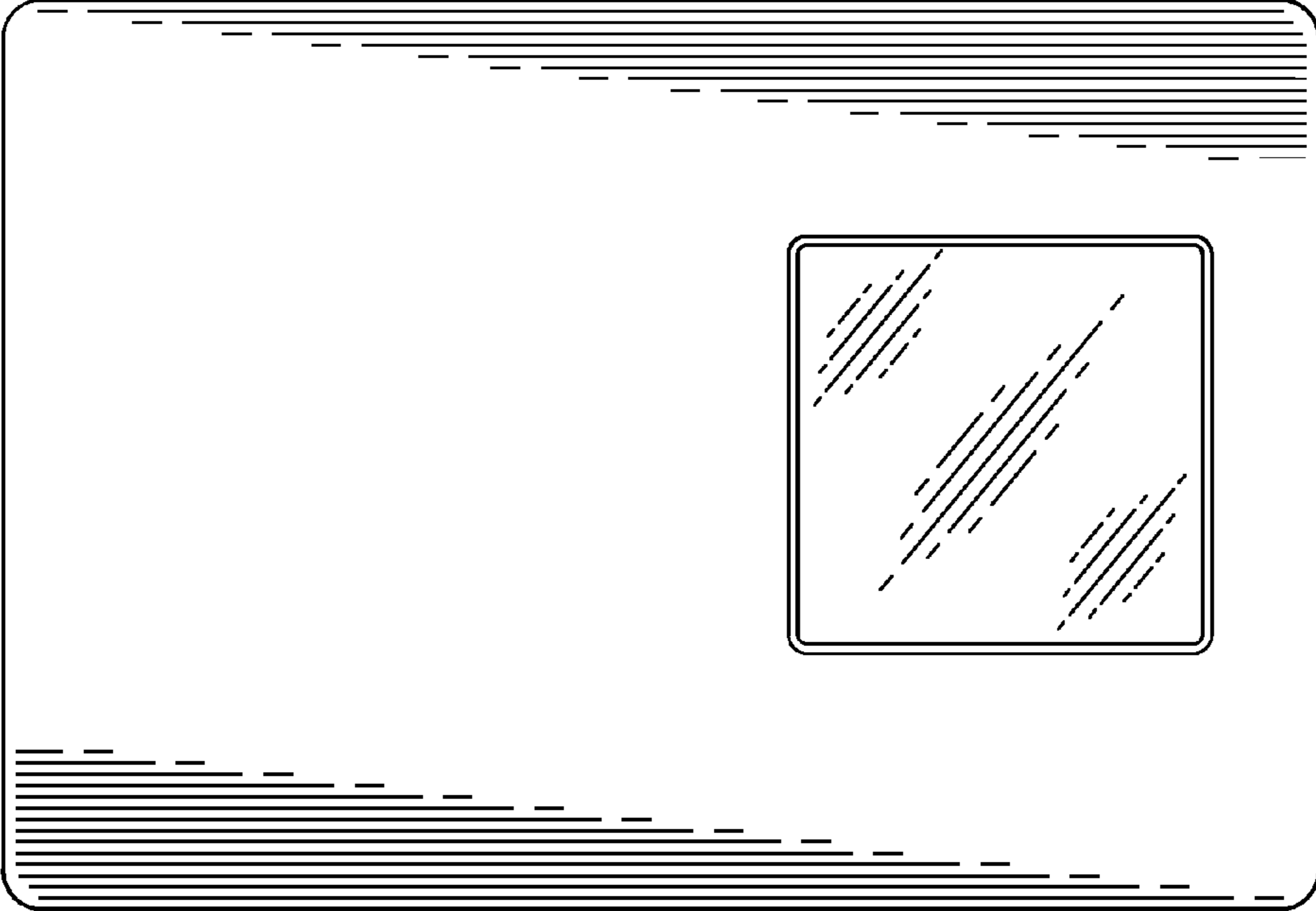


FIG. 2



FIG. 3

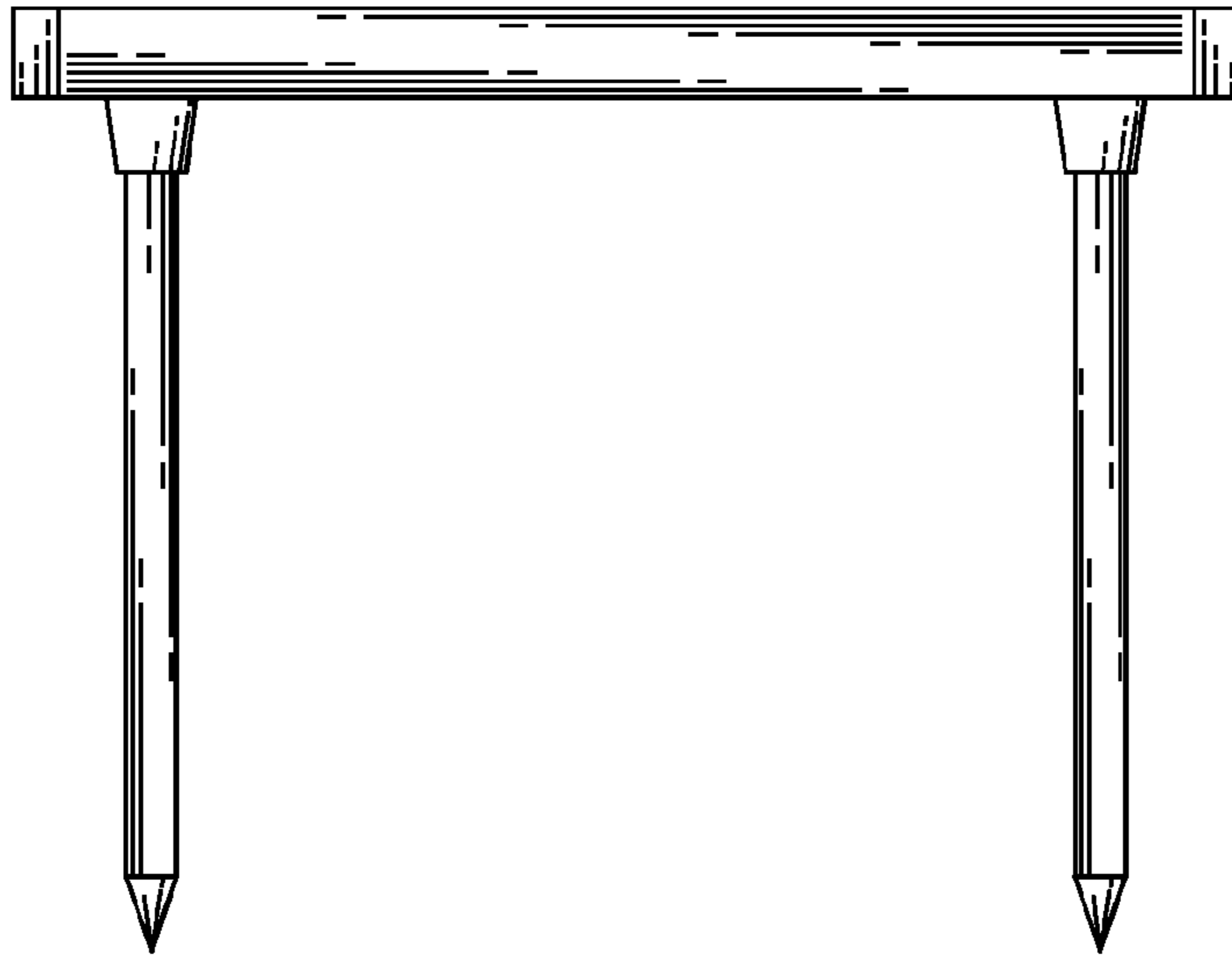


FIG. 4

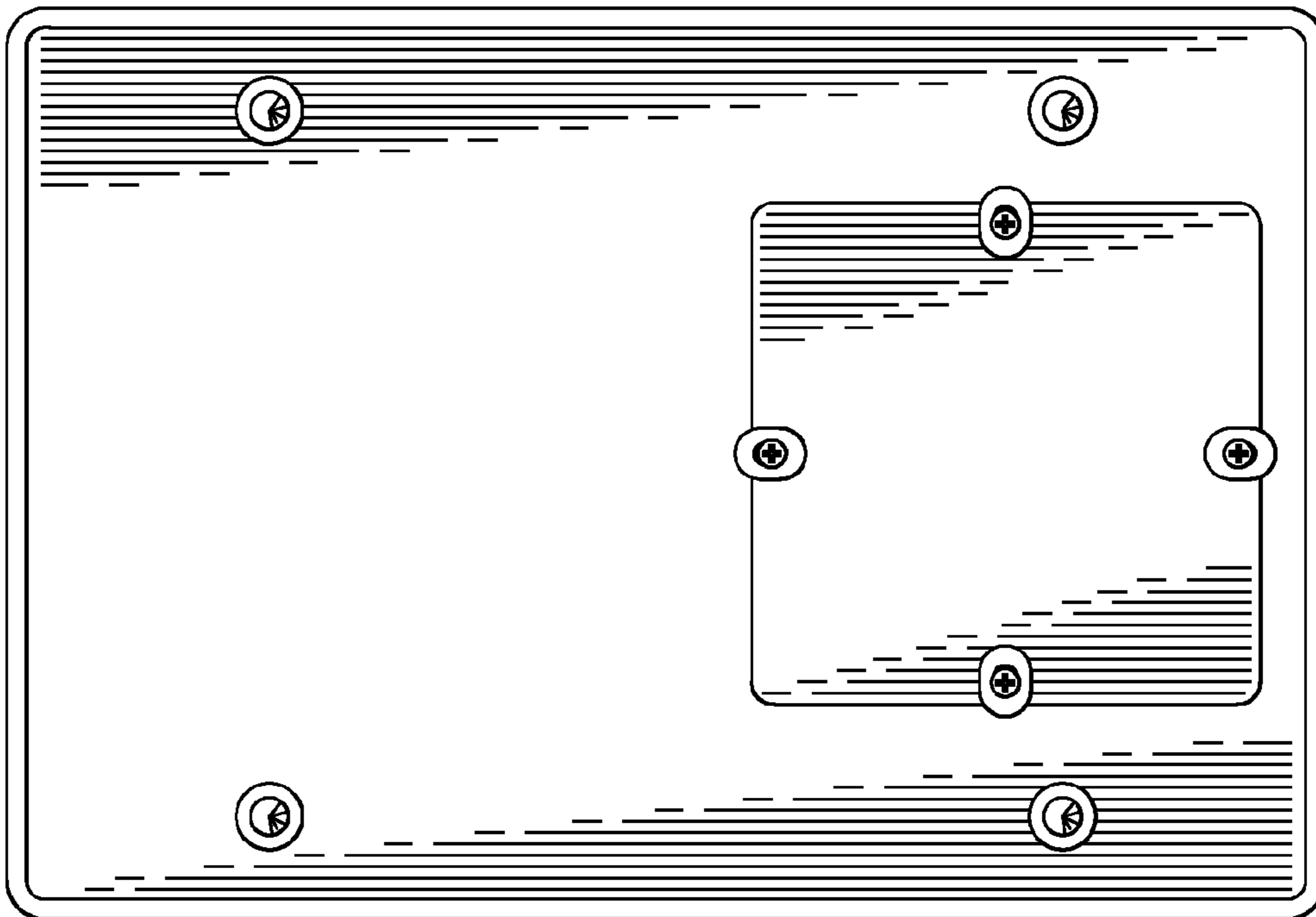


FIG. 5

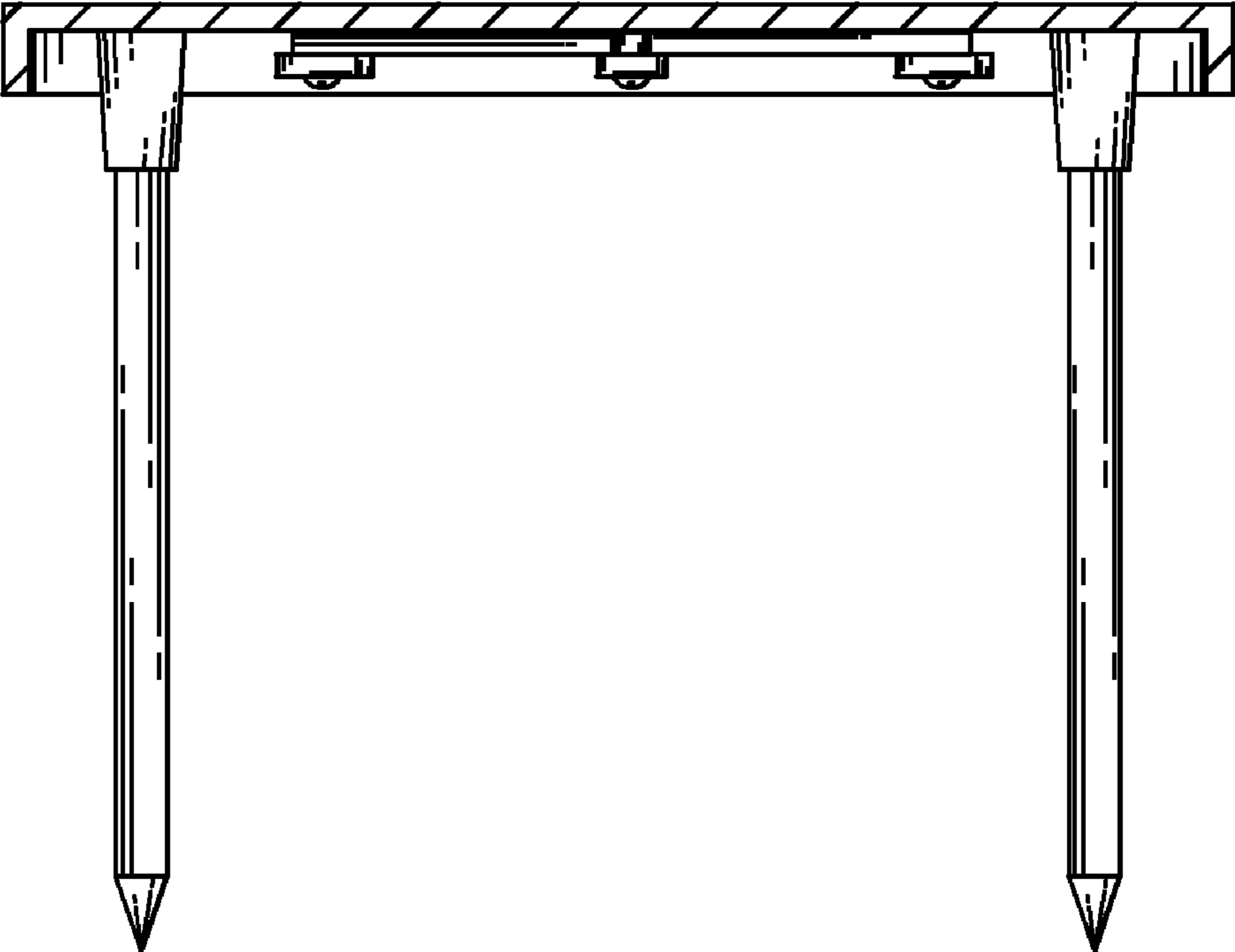


FIG. 6