



US00D636964S

(12) **United States Design Patent**
Thomas et al.

(10) **Patent No.:** **US D636,964 S**
(45) **Date of Patent:** **** Apr. 26, 2011**

- (54) **PATIENT ASSISTANCE VEST**
- (75) Inventors: **John A. Thomas**, Dallas, TX (US);
Phillip A. Clifford, Dallas, TX (US)
- (73) Assignee: **SDS Medical Supply LLC**, Frisco, TX
(US)
- (**) Term: **14 Years**
- (21) Appl. No.: **29/365,682**
- (22) Filed: **Jul. 13, 2010**
- (51) **LOC (9) Cl.** **12-05**
- (52) **U.S. Cl.** **D34/35; D29/101.1**
- (58) **Field of Classification Search** D34/35,
D34/28; 5/81.1 R, 84.1, 89.1, 88.1; D24/188,
D24/190; D21/683; D29/101.1; D30/152
See application file for complete search history.

- D342,108 S * 12/1993 Leibowitz D21/683
- D355,290 S * 2/1995 Parker D34/28
- D361,654 S * 8/1995 Petracco D3/5
- D447,838 S * 9/2001 Masuda D29/101.1
- 6,289,534 B1 * 9/2001 Hakamiun et al. 5/89.1
- 6,581,222 B1 * 6/2003 Liljedahl 5/89.1
- D602,224 S * 10/2009 Liljedahl D34/28

* cited by examiner

Primary Examiner — Cynthia E Ramirez
(74) *Attorney, Agent, or Firm* — David W. Carstens; Jeffrey
G. Degenfelder; Carstens & Cahoon, LLP

(57) **CLAIM**
The ornamental design for a patient assistance vest, as shown.

DESCRIPTION

FIG. 1 is a front perspective view of the patient assistance vest of the present invention in a closed position; FIG. 2 is a front elevation view thereof; FIG. 3 is a back elevation view thereof; FIG. 4 is a right side elevation view thereof; FIG. 5 is a left side elevation view thereof; FIG. 6 is an exterior or top plan view of the patient assistance vest of the present invention in an opened position; and, FIG. 7 is an interior or bottom plan view thereof.

1 Claim, 6 Drawing Sheets

- (56) **References Cited**
- U.S. PATENT DOCUMENTS
- D312,331 S * 11/1990 Poettgen D29/101.1
- 4,981,307 A * 1/1991 Walsh 280/290
- D326,492 S * 5/1992 Leibowitz D21/683
- D339,217 S * 9/1993 McCue et al. D29/101.1

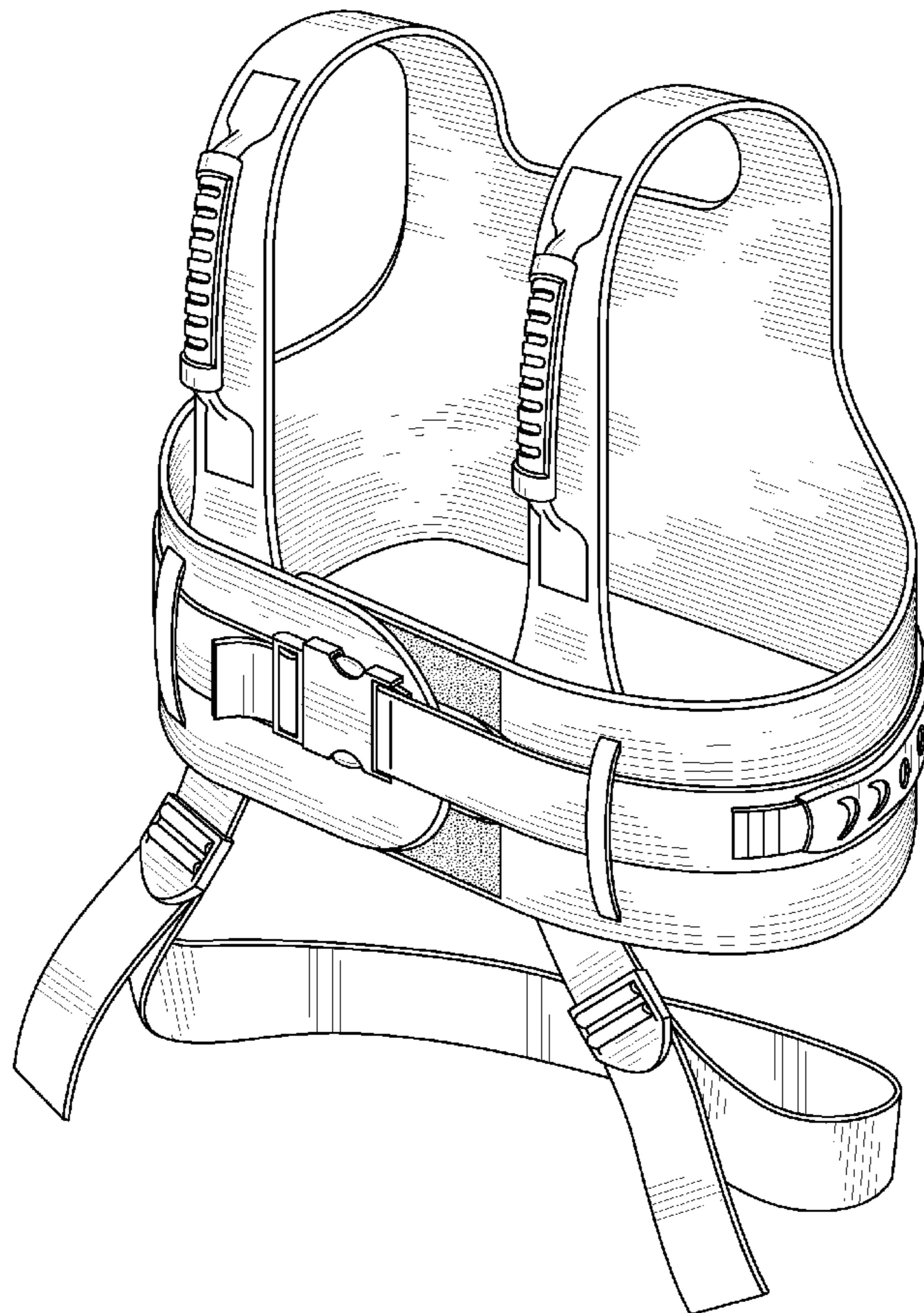




FIG. 1

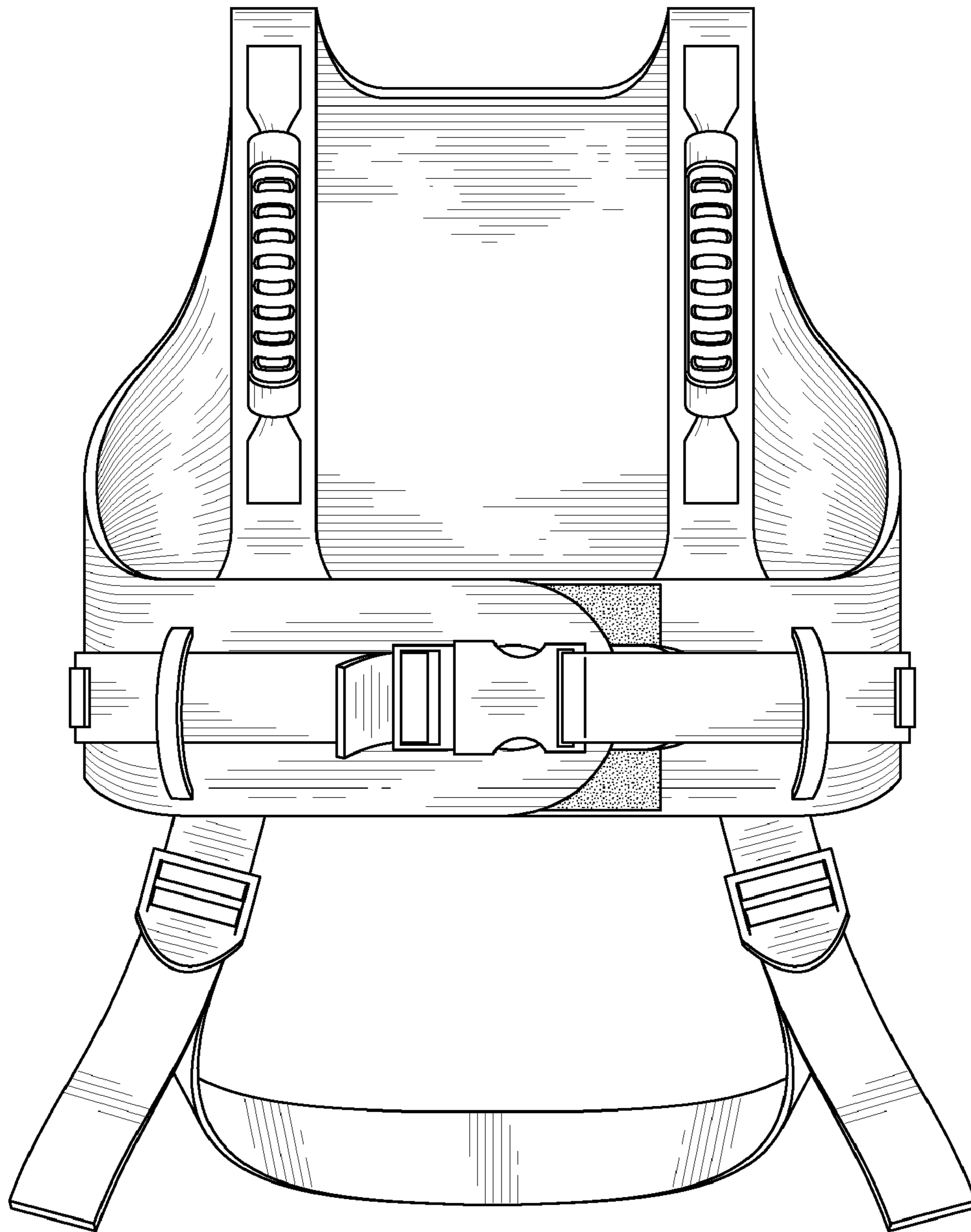


FIG. 2

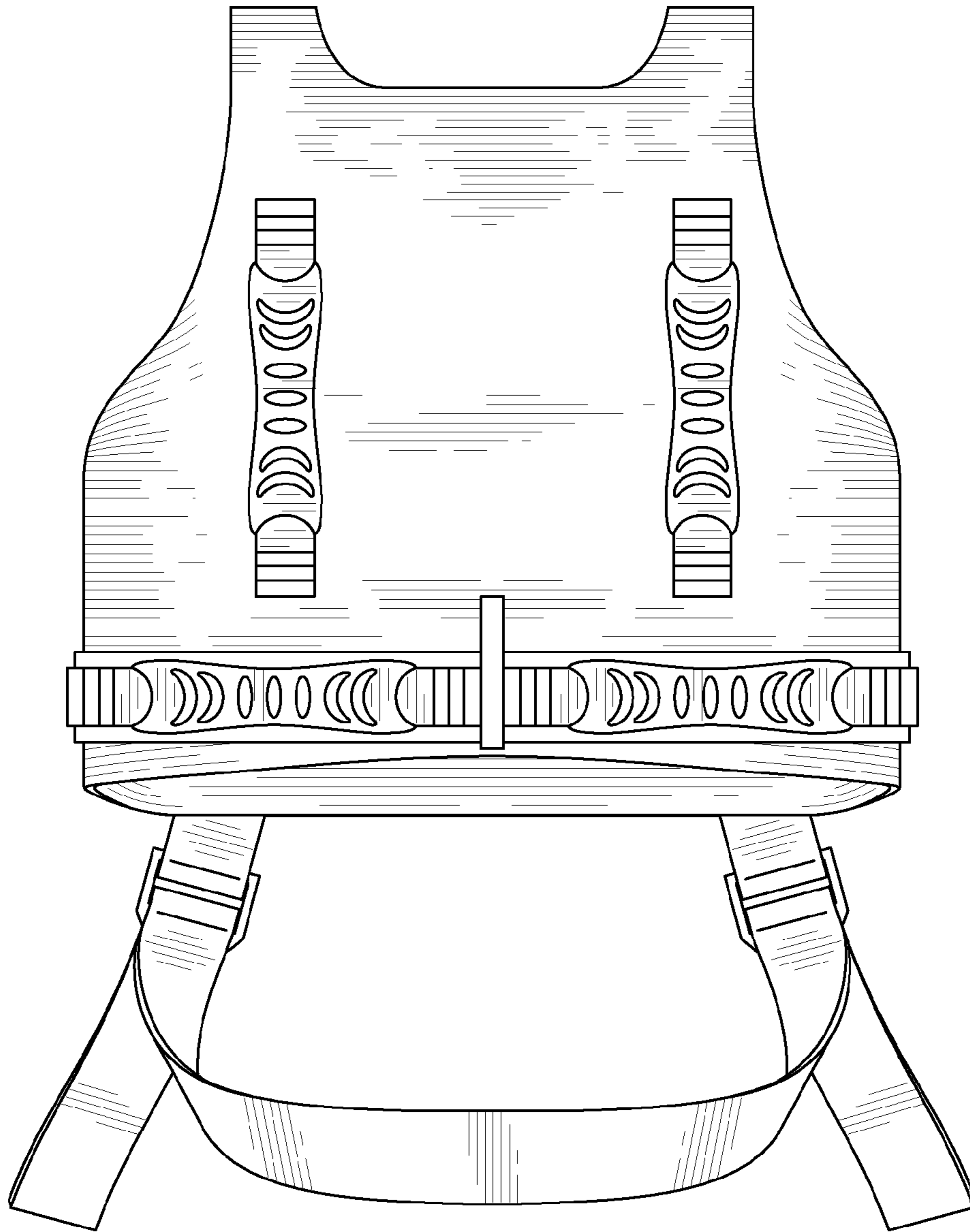


FIG. 3

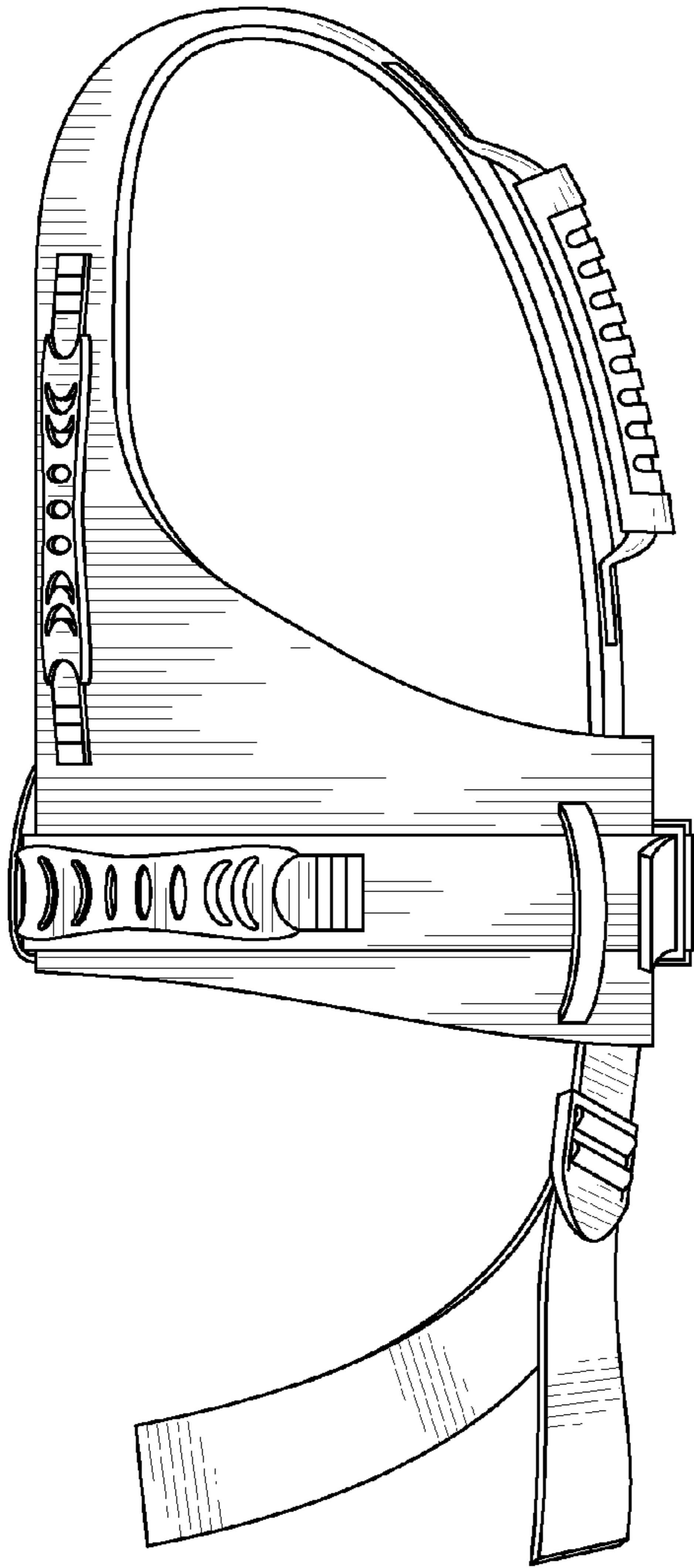


FIG. 4

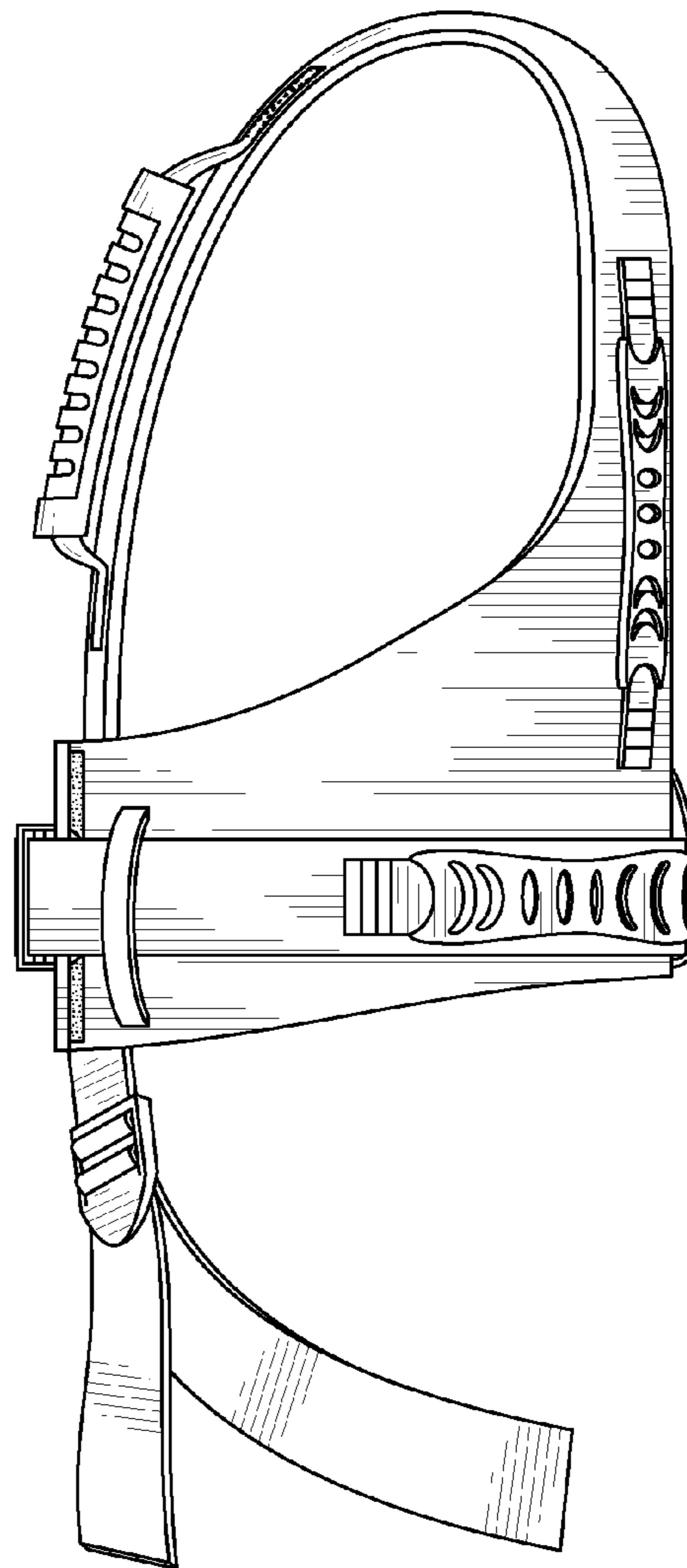


FIG. 5

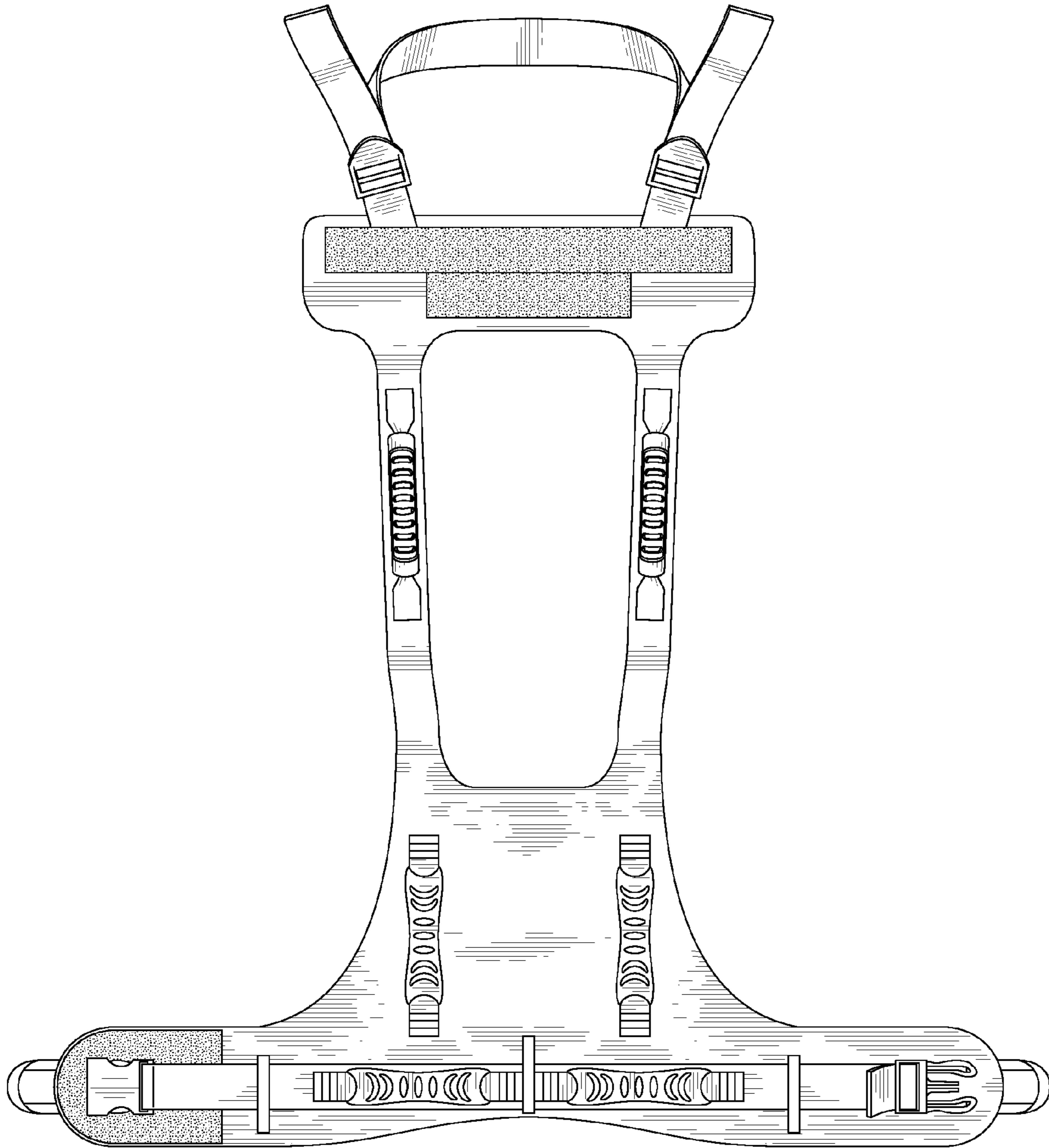


FIG. 6

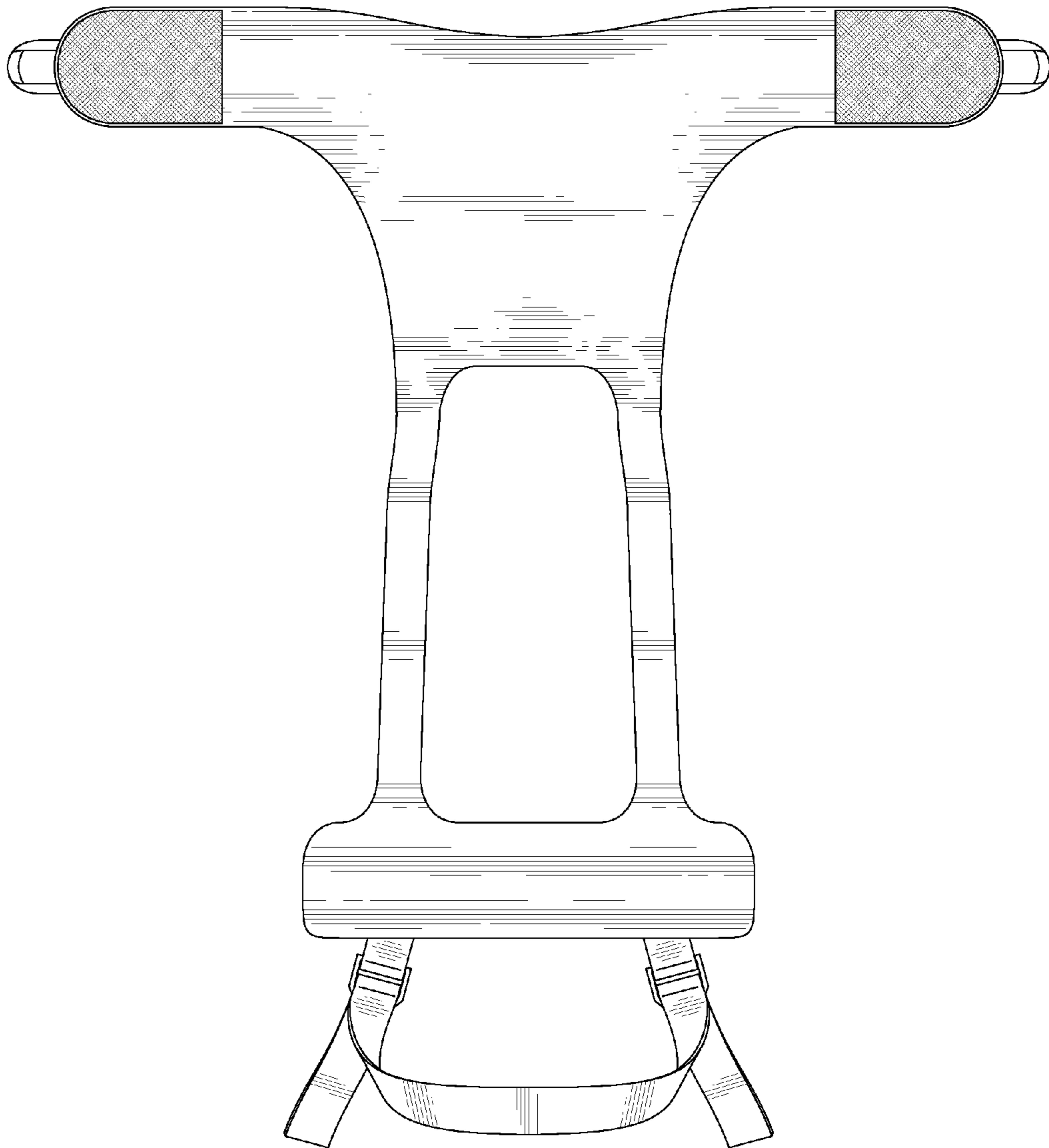


FIG. 7