



US00D636962S

(12) **United States Design Patent**  
**Freimuth**

(10) **Patent No.:** **US D636,962 S**

(45) **Date of Patent:** **\*\* \*Apr. 26, 2011**

(54) **TURNOVER CART**

(75) **Inventor:** **Edward K. Freimuth**, Palos Heights, IL (US)

(73) **Assignee:** **Versatility Tool Works and Manufacturing Company, Inc.**, Alsip, IL (US)

(\*) **Notice:** This patent is subject to a terminal disclaimer.

(\*\*) **Term:** **14 Years**

(21) **Appl. No.:** **29/351,101**

(22) **Filed:** **Nov. 30, 2009**

(51) **LOC (9) Cl.** ..... **12-02**

(52) **U.S. Cl.** ..... **D34/21**

(58) **Field of Classification Search** ..... D34/12-27; 280/47.35, 79.3, 79.2; 108/59

See application file for complete search history.

(56) **References Cited**

**U.S. PATENT DOCUMENTS**

D322,351 S *	12/1991	O'Brien	.....	D34/18
D335,566 S *	5/1993	Spriggs et al.	.....	D34/14
D336,706 S *	6/1993	Lechman et al.	.....	D34/20
D457,704 S *	5/2002	Fiscus et al.	.....	D34/20
D460,235 S *	7/2002	Cornwell	.....	D34/20
D461,941 S *	8/2002	Underbrink et al.	.....	D34/21

D473,991 S *	4/2003	Moon et al.	.....	D34/21
D479,028 S *	8/2003	Moon et al.	.....	D34/21
D489,858 S *	5/2004	Hay et al.	.....	D34/20
D533,705 S *	12/2006	Bertucci et al.	.....	D34/14
2008/0238012 A1 *	10/2008	Carter	.....	280/47.35

\* cited by examiner

*Primary Examiner* — Cynthia E Ramirez

(74) *Attorney, Agent, or Firm* — Edelson IP Law Grp, Ltd; Leon I. Edelson

(57) **CLAIM**

I claim the ornamental design for a turnover cart, as shown and described.

**DESCRIPTION**

FIG. 1 is a perspective view of the turnover cart showing the new design thereof.

FIG. 2 is a front view of the turnover cart showing my new design thereof.

FIG. 3 is a back view of the turnover cart showing my new design thereof.

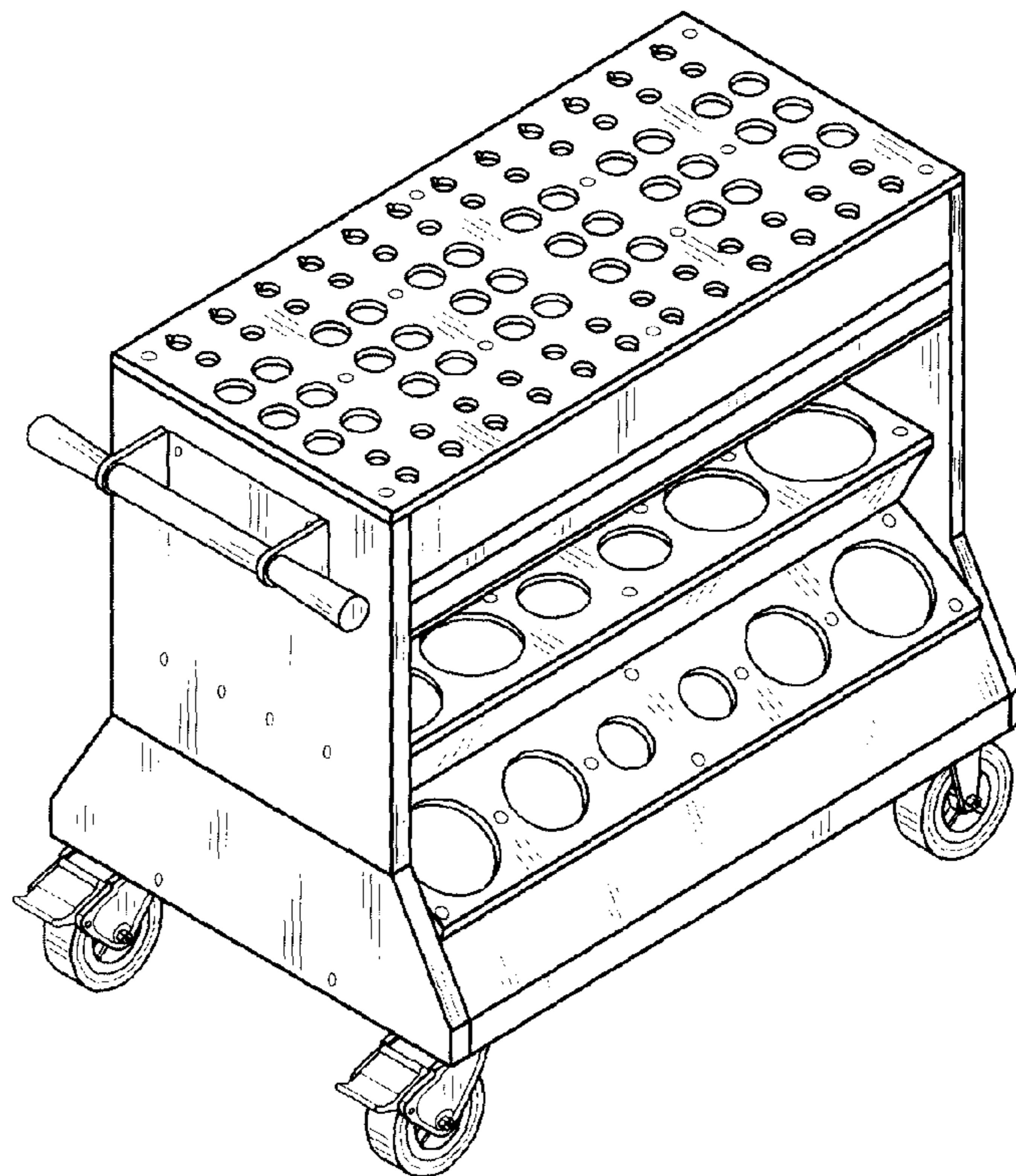
FIG. 4 is a side view of the turnover cart showing my new design thereof.

FIG. 5 is a side view of the turnover cart showing my new design thereof.

FIG. 6 is a top view of the turnover cart showing my new design thereof; and,

FIG. 7 is a bottom view of the turnover cart showing my new design thereof.

**1 Claim, 3 Drawing Sheets**



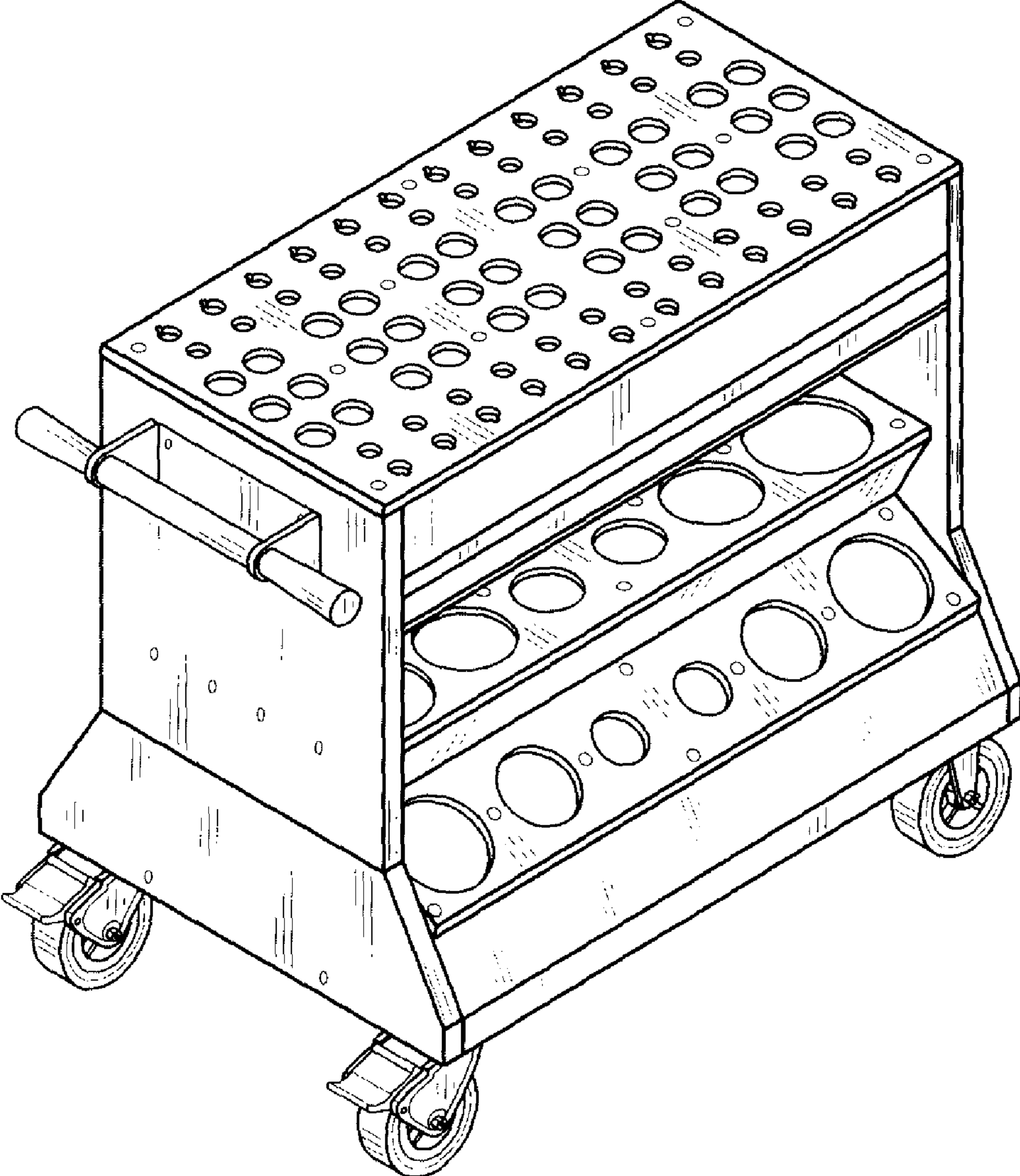


FIG. 1

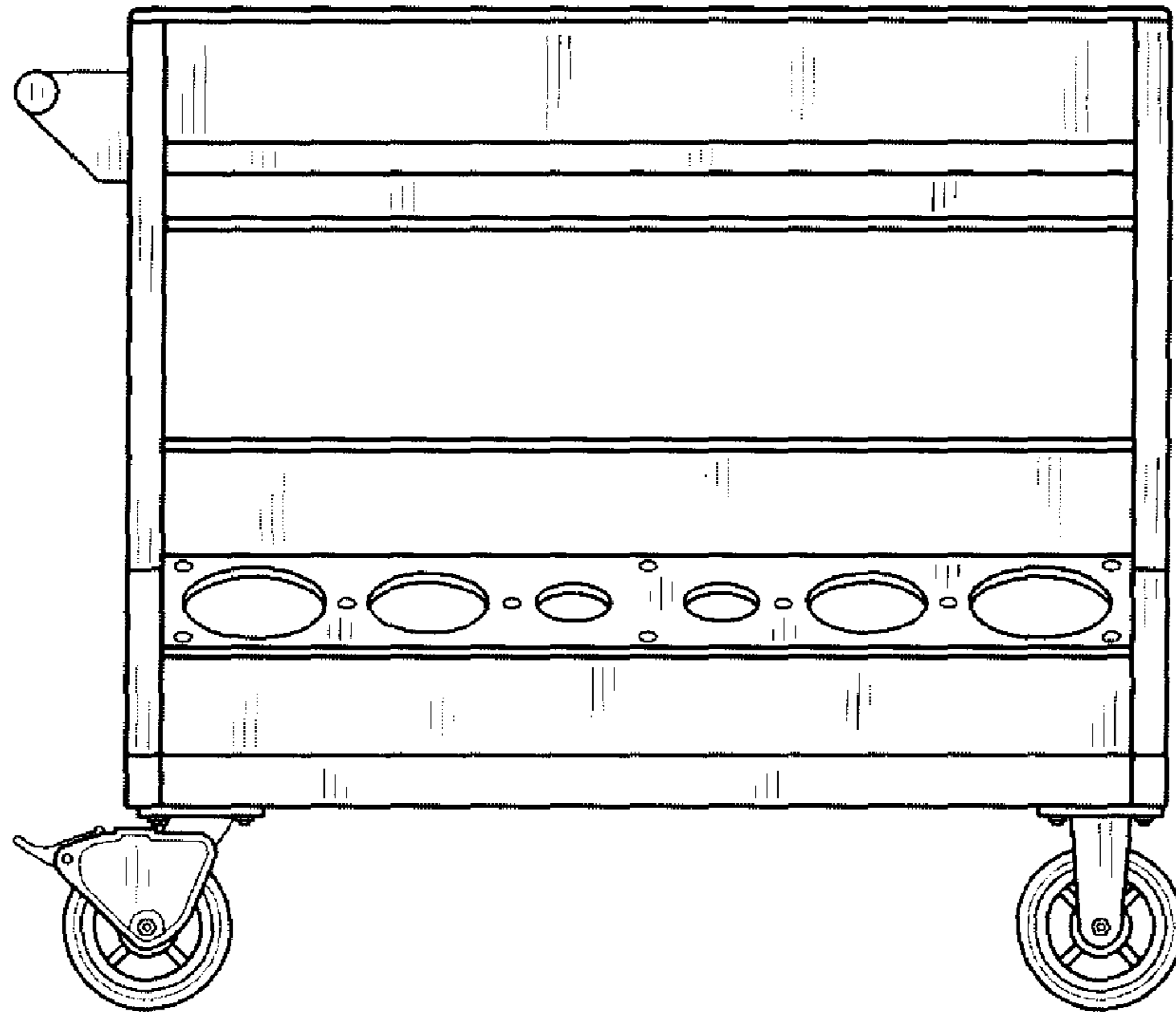


FIG. 2

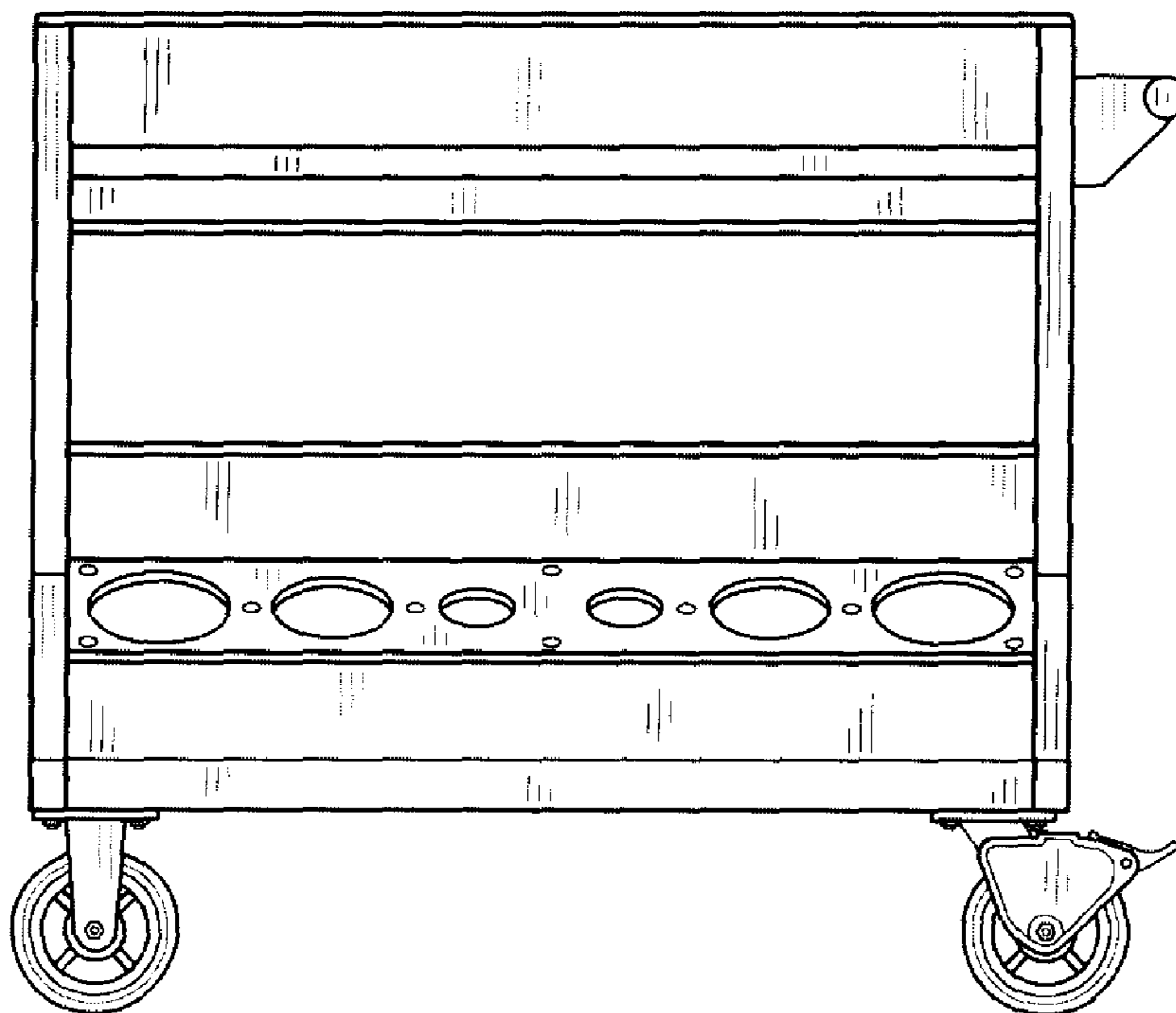


FIG. 3

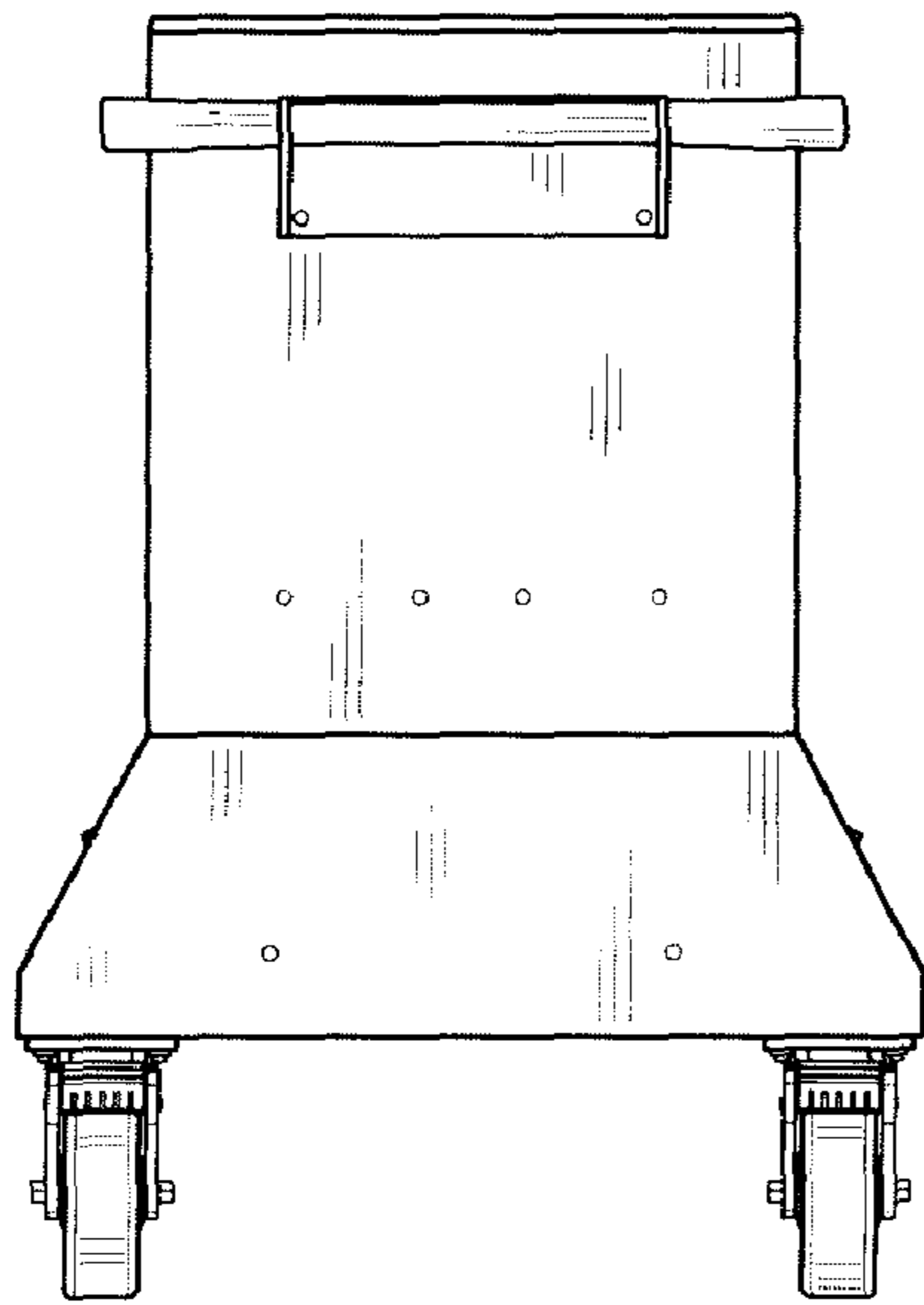


FIG. 4

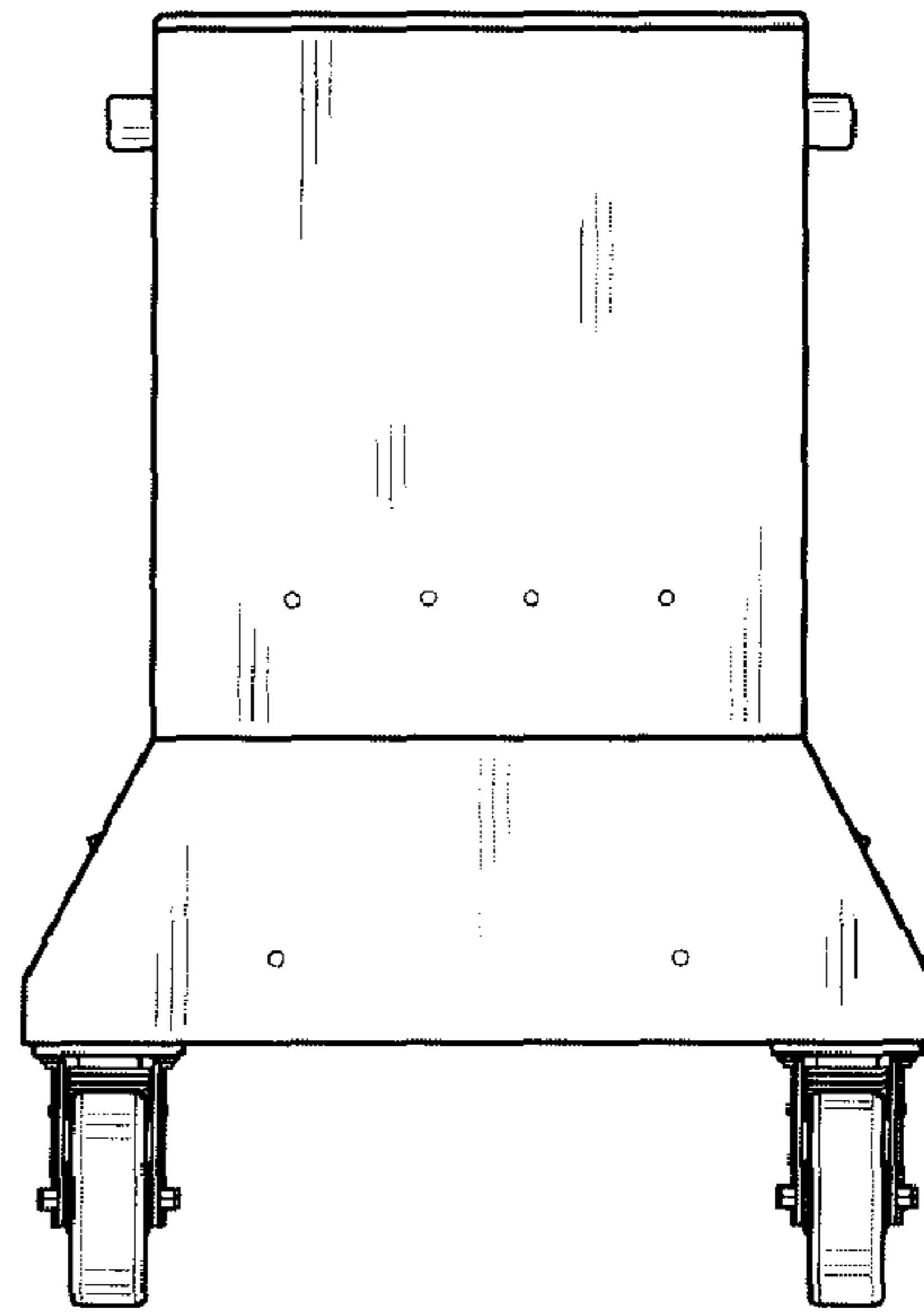


FIG. 5

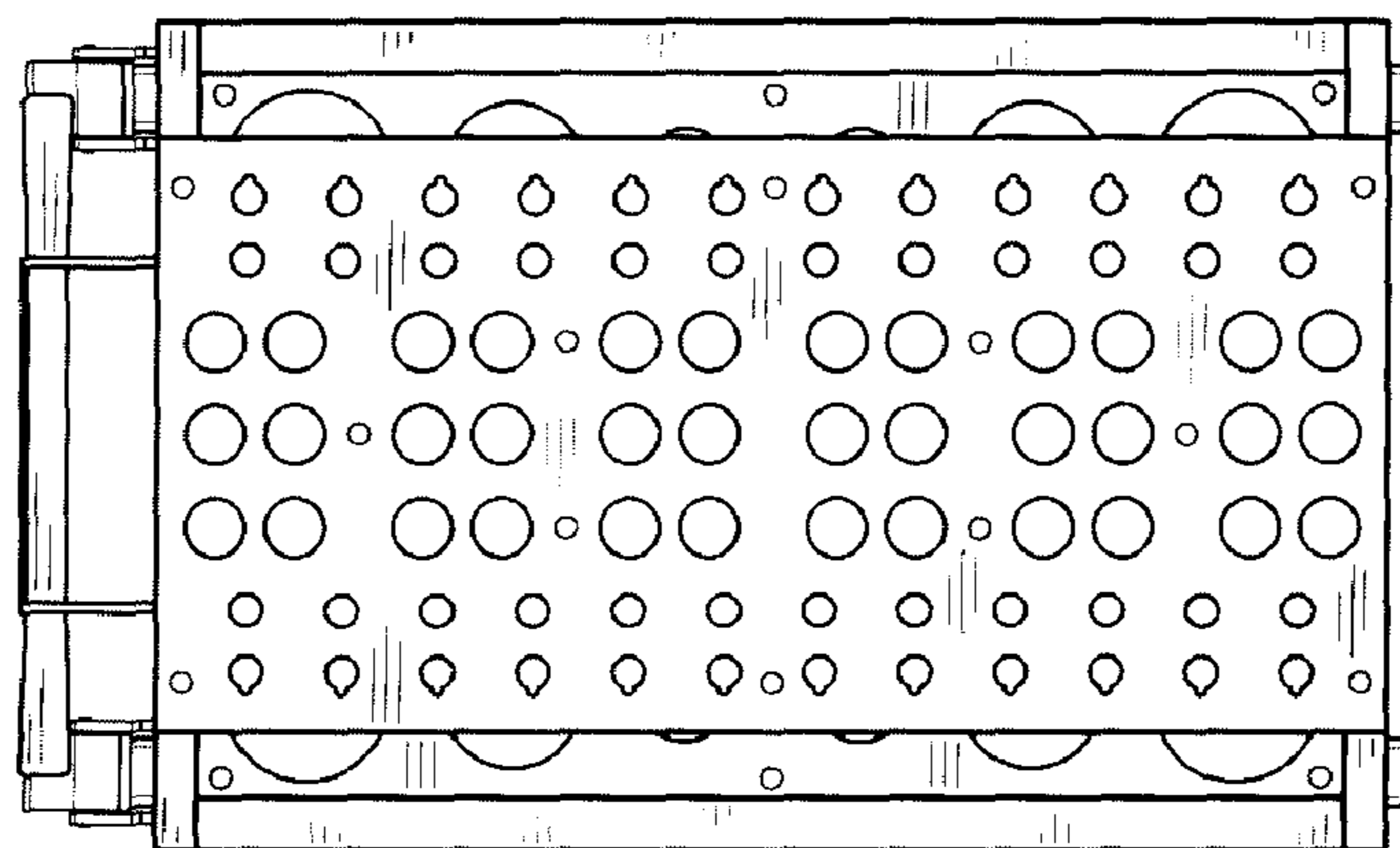


FIG. 6

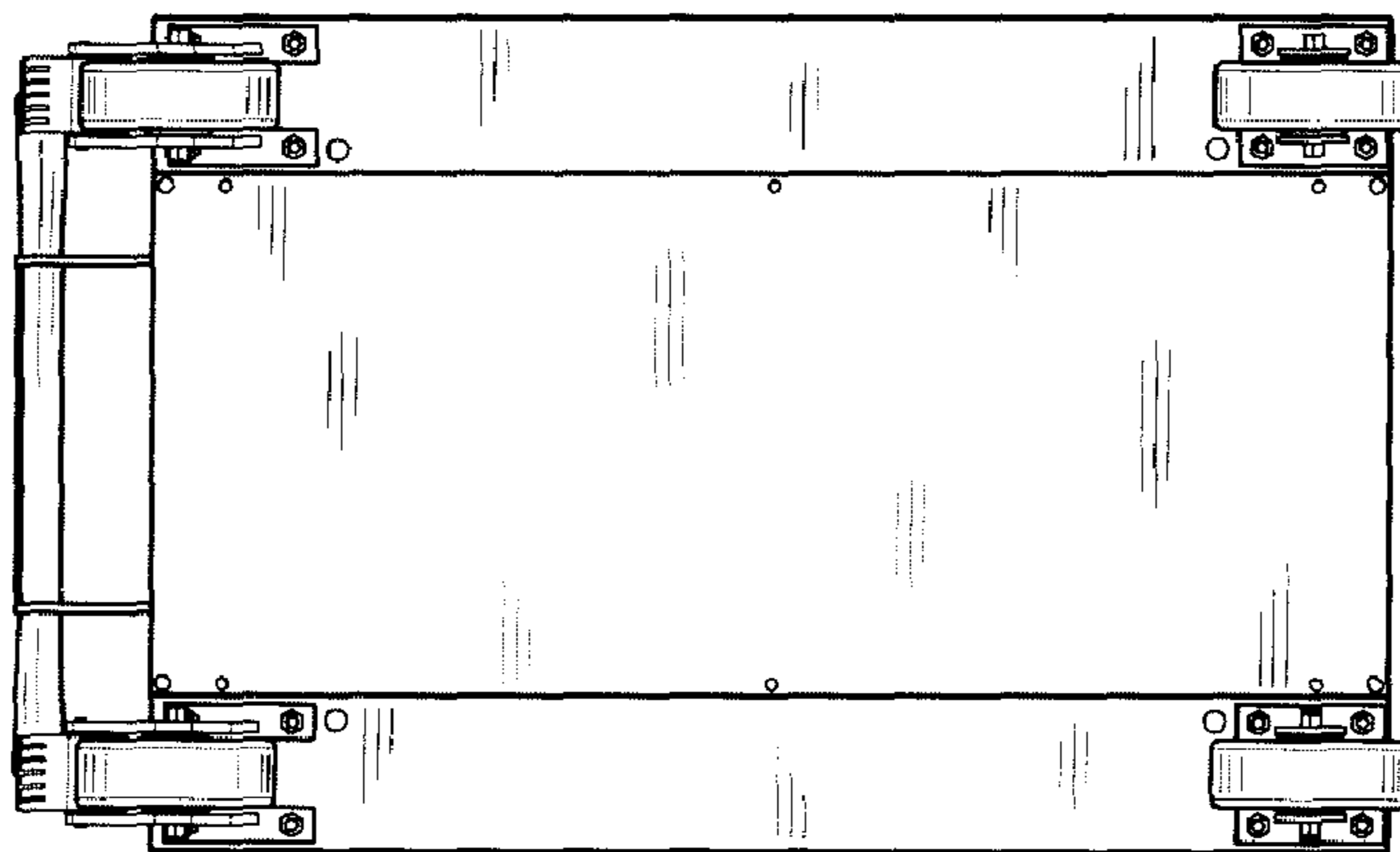


FIG. 7