



US00D636961S

(12) **United States Design Patent**
Duvigneau

(10) **Patent No.:** **US D636,961 S**

(45) **Date of Patent:** **** Apr. 26, 2011**

(54) **LITTER RECEPTACLE**

(75) Inventor: **Nikolai Duvigneau, Zichron Yaacov (IL)**

(73) Assignee: **CURVER Luxembourg Sarl,**
Neidercorn (LU)

(**) Term: **14 Years**

(21) Appl. No.: **29/365,825**

(22) Filed: **Jul. 15, 2010**

(30) **Foreign Application Priority Data**

Jan. 15, 2010 (EM) 001657073-0002

(51) **LOC (9) Cl.** **09-09**

(52) **U.S. Cl.** **D34/9**

(58) **Field of Classification Search** D34/1,
D34/5, 6, 7, 8, 9, 10, 11; 220/908, 908.1,
220/909, 910, 911

See application file for complete search history.

(56) **References Cited**

U.S. PATENT DOCUMENTS

D324,749 S * 3/1992 Bray D34/7

D393,334 S * 4/1998 Presnell et al. D34/9

D471,686 S * 3/2003 Zimmerman D34/8
D530,477 S * 10/2006 Lin D34/9
D537,601 S * 2/2007 Lin D34/9
D543,673 S * 5/2007 Yang et al. D34/9
D548,419 S * 8/2007 Wang et al. D34/11
D572,423 S * 7/2008 Lin D34/9
D581,622 S * 11/2008 Presnell et al. D34/9
D587,874 S * 3/2009 Lin D34/7
D597,721 S * 8/2009 Brockington et al. D34/7

* cited by examiner

Primary Examiner — Cynthia E Ramirez

(74) *Attorney, Agent, or Firm* — Sughrue Mion, PLLC

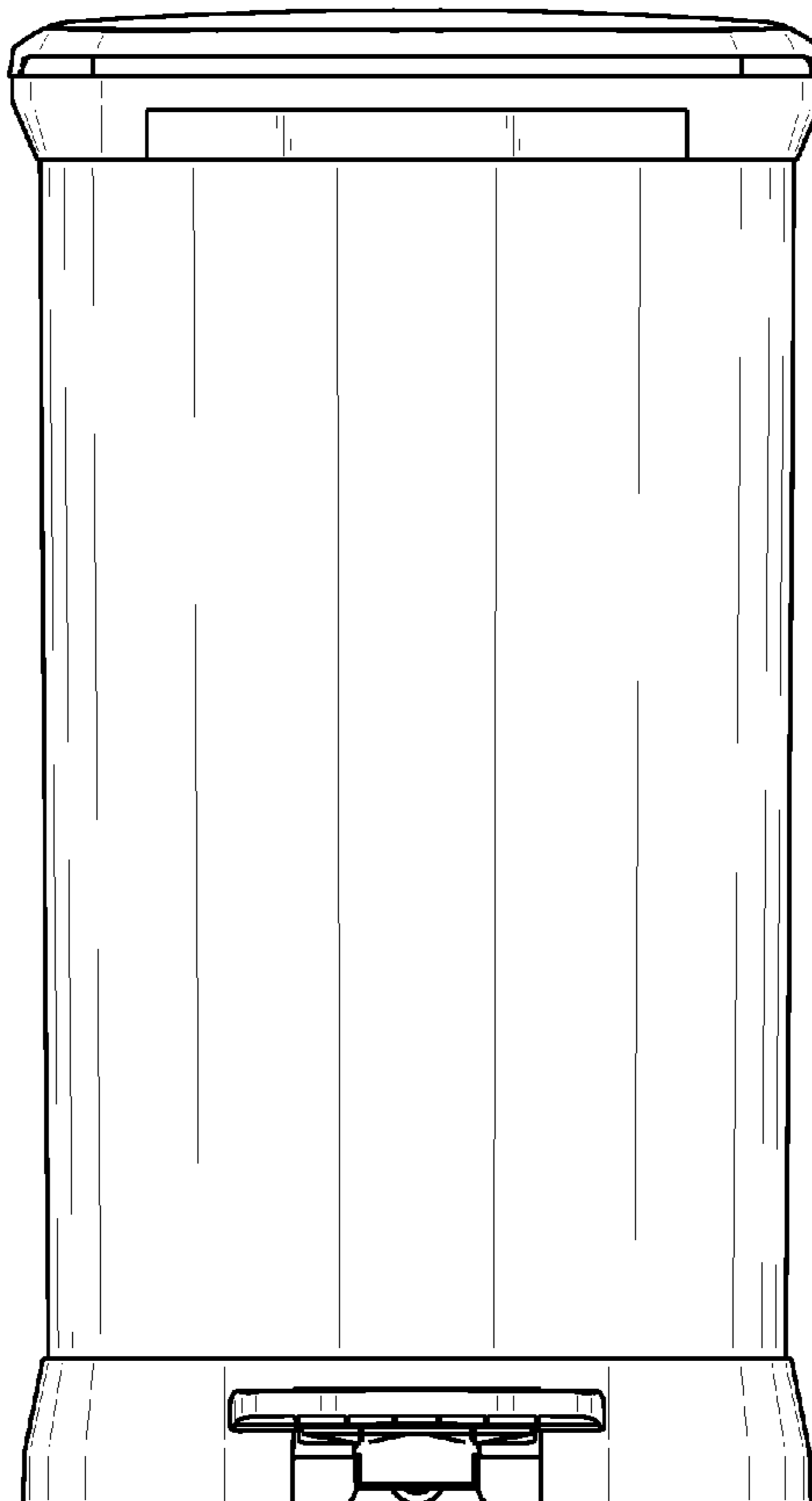
(57) **CLAIM**

The ornamental design for a litter receptacle, as shown and described.

DESCRIPTION

FIG. 1 is a front view of the litter receptacle;
FIG. 2 is a top view of the litter receptacle;
FIG. 3 is a right side view of the litter receptacle;
FIG. 4 is a left side view of the litter receptacle;
FIG. 5 is a rear view of the litter receptacle; and,
FIG. 6 is a front side perspective view of the litter receptacle.

1 Claim, 6 Drawing Sheets



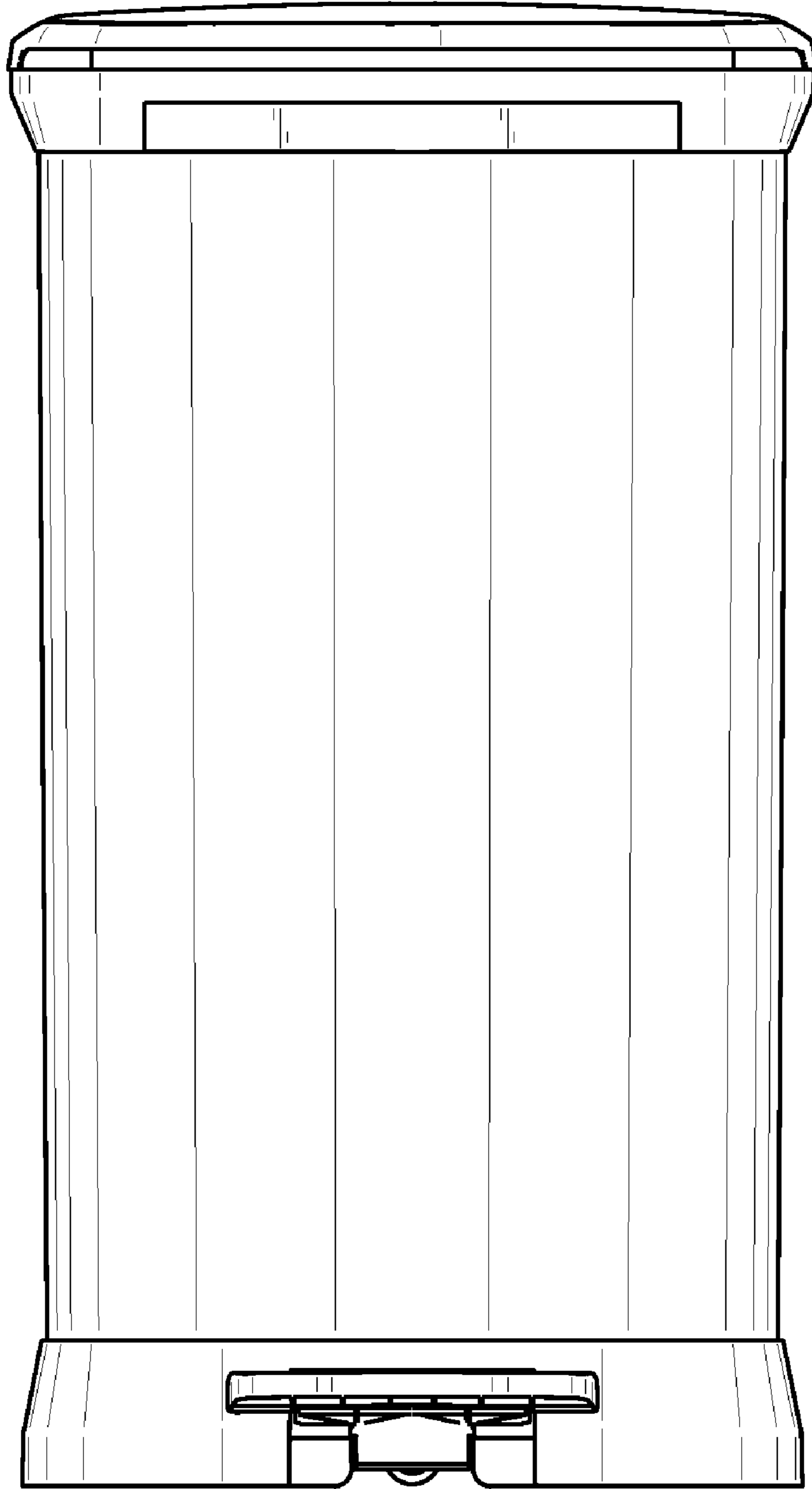


Fig. 1

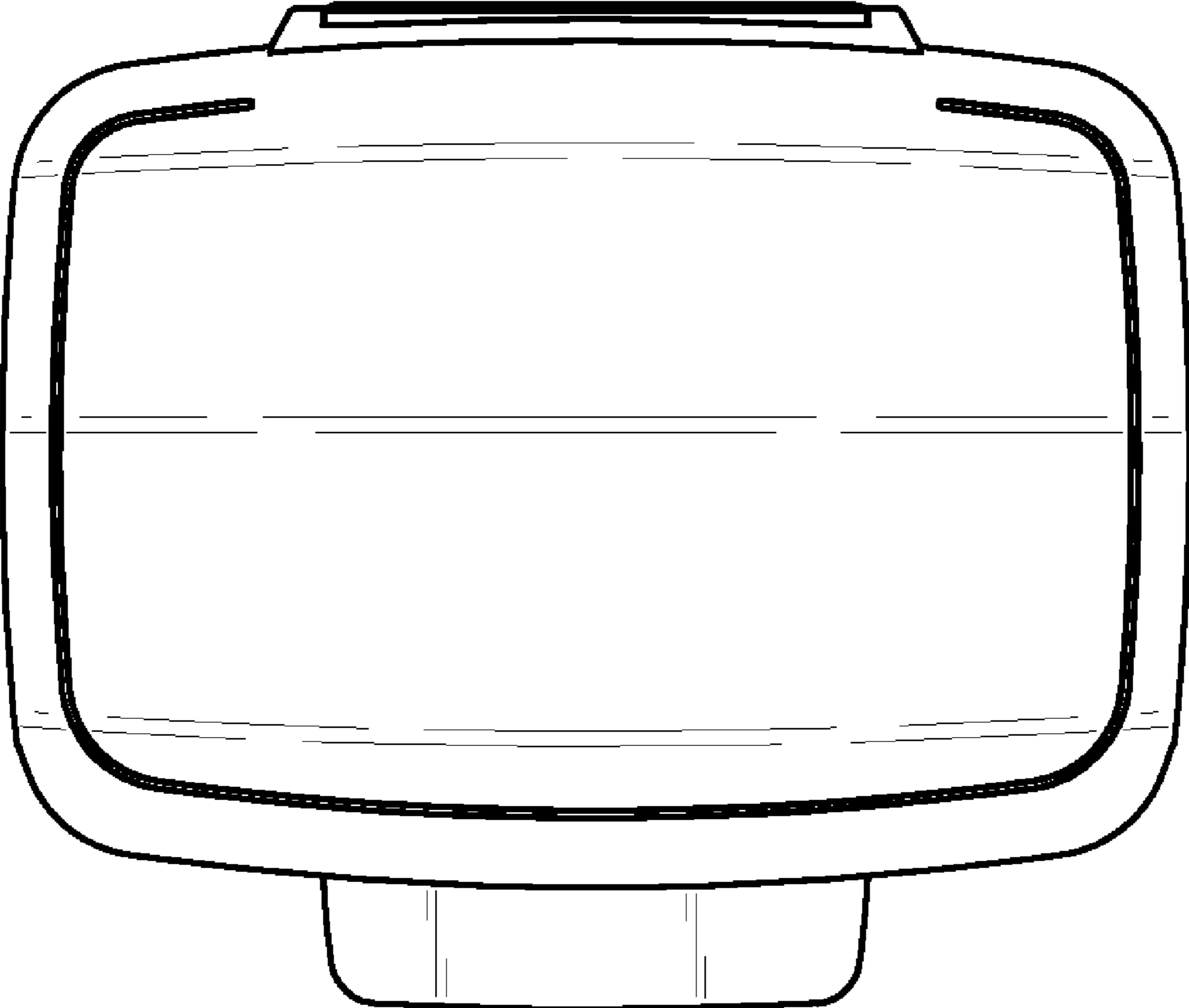


Fig. 2

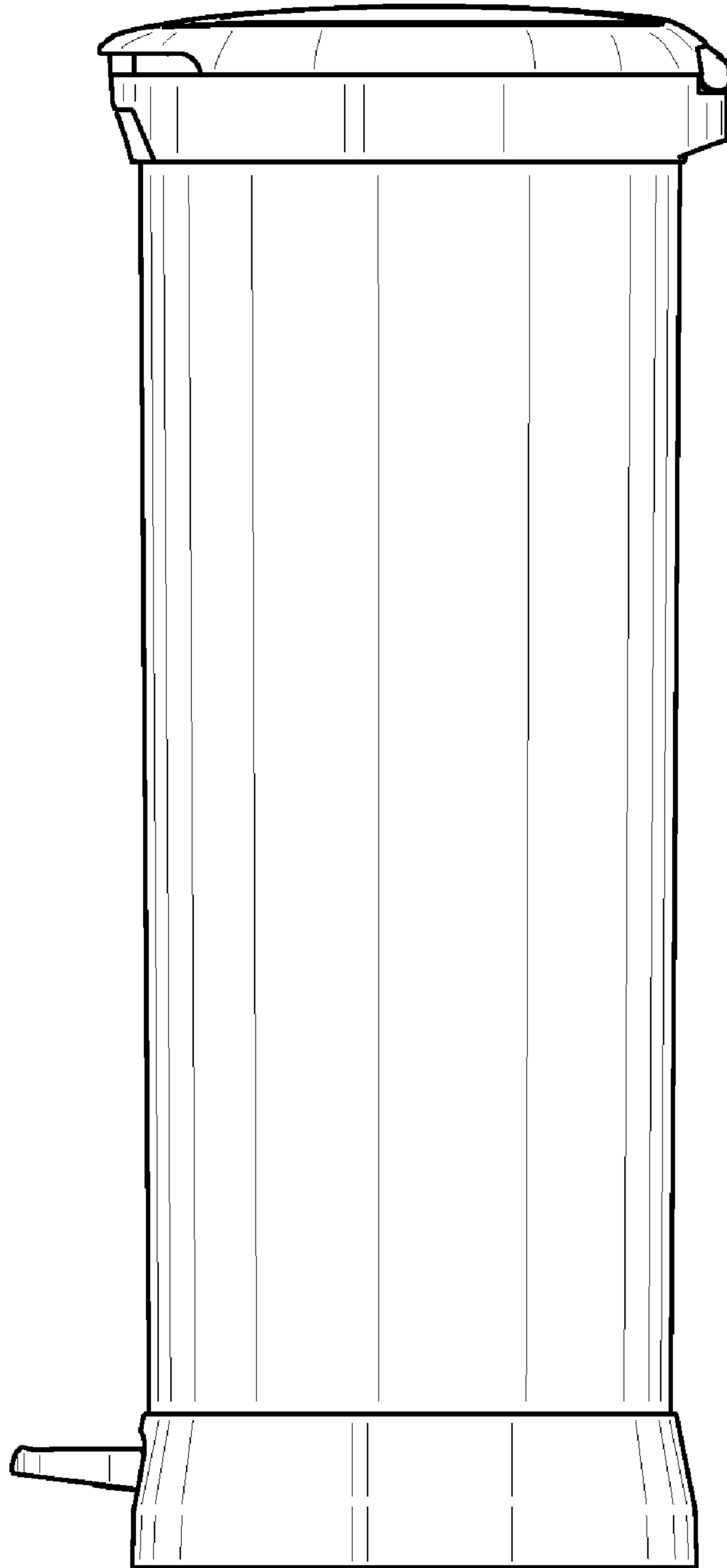


Fig. 3

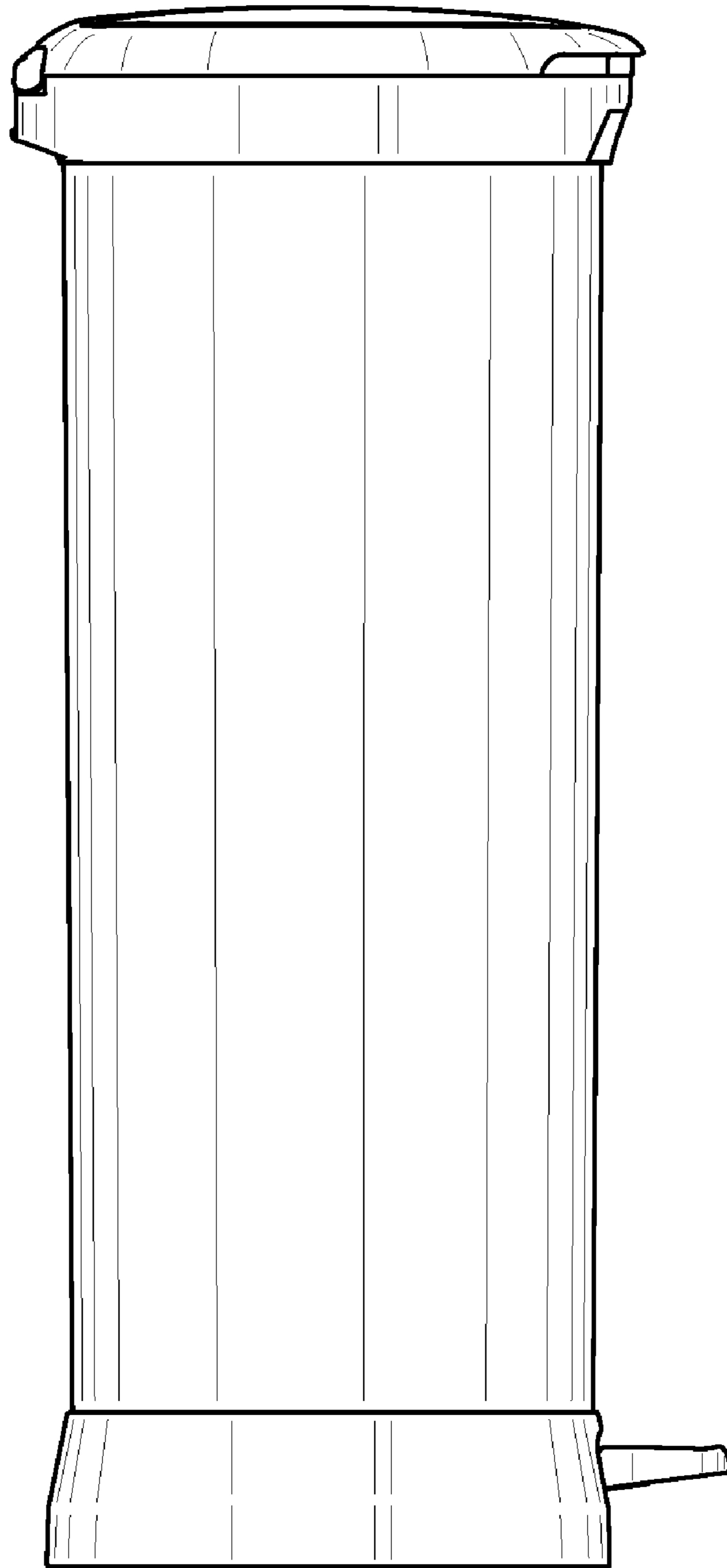


Fig. 4



Fig. 5

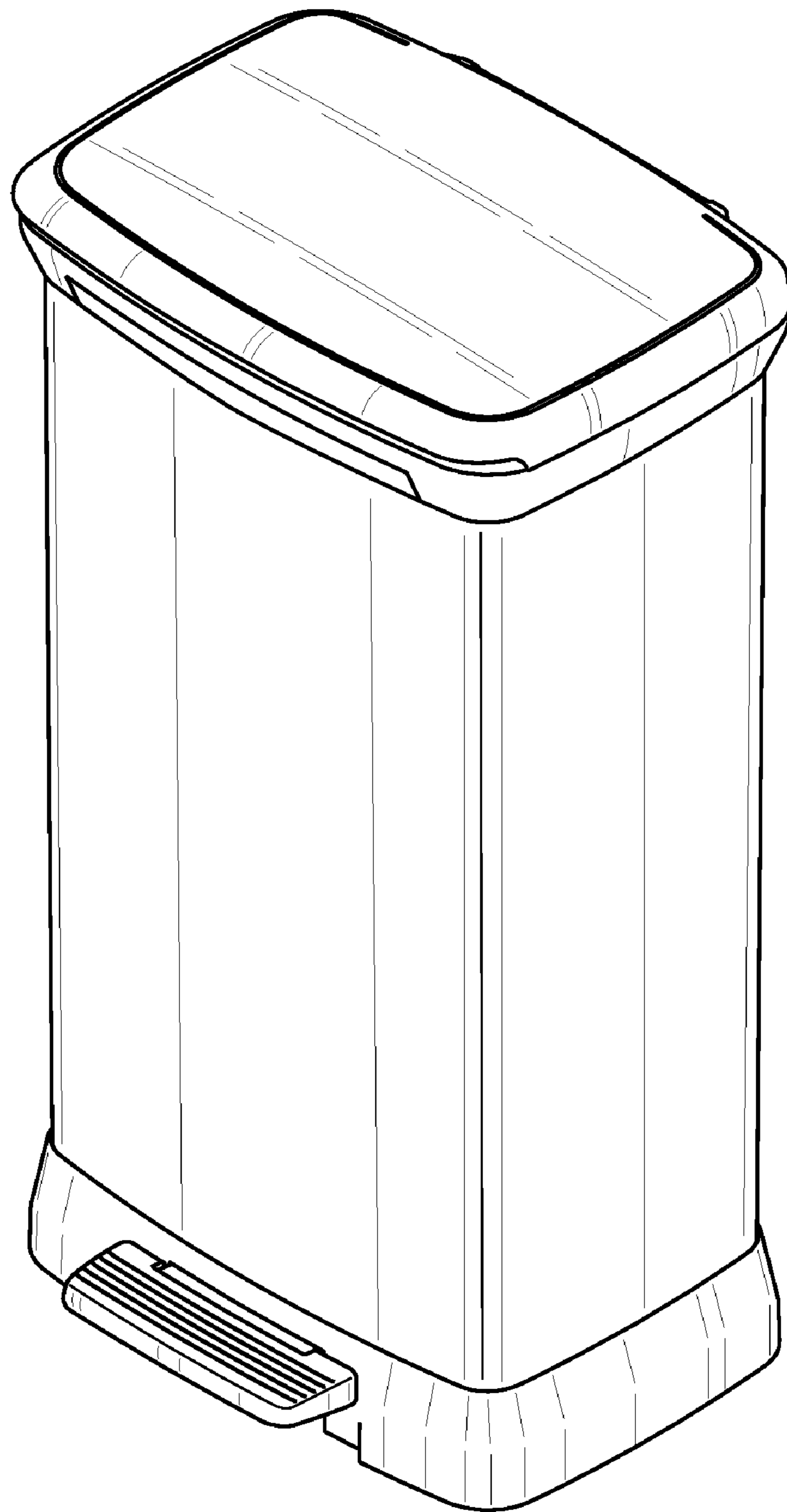


Fig. 6