



US00D636959S

(12) **United States Design Patent**
Irwin et al.

(10) **Patent No.:** **US D636,959 S**
(45) **Date of Patent:** **** Apr. 26, 2011**

(54) **TRASH RECEPTACLE**

(75) Inventors: **John T. Irwin**, Sylvania, OH (US);
Stephen A. Dukes, North Baltimore, OH (US)

(73) Assignee: **Impact Products, LLC**, Toledo, OH (US)

(**) Term: **14 Years**

(21) Appl. No.: **29/360,643**

(22) Filed: **Apr. 29, 2010**

(51) **LOC (9) Cl.** **09-09**

(52) **U.S. Cl.** **D34/1**

(58) **Field of Classification Search** D34/1,
D34/5, 6, 7, 8, 9, 10, 11; 220/675, 669, 708,
220/671, 908, 908.1, 909, 910, 911

See application file for complete search history.

(56) **References Cited**

U.S. PATENT DOCUMENTS

D180,187 S *	4/1957	Gunn	D34/7
3,434,625 A	3/1969	Embry, Jr.		
4,027,774 A	6/1977	Cote		
4,923,087 A	5/1990	Burrows		
D311,982 S *	11/1990	Ladney	D34/7
5,100,087 A	3/1992	Ashby		
5,271,589 A	12/1993	Belous		
D358,692 S	5/1995	Kasbohm		
5,419,452 A	5/1995	Mueller et al.		
5,695,088 A	12/1997	Kasbohm		

5,911,335 A	6/1999	Baumann		
5,987,708 A	11/1999	Newton		
D441,512 S *	5/2001	Wyman	D34/7
D443,230 S *	6/2001	DaRosa	D11/157
6,918,505 B2	7/2005	Gifford, Sr.		
D570,064 S *	5/2008	Ruckman et al.	D34/1
D625,066 S *	10/2010	Shannon	D34/1
2007/0202751 A1	8/2007	Wentz et al.		
2007/0210088 A1	9/2007	Wentz et al.		

* cited by examiner

Primary Examiner — Cynthia Ramirez

(74) *Attorney, Agent, or Firm* — Fraser Clemens Martin & Miller LLC; J. Douglas Miller

(57) **CLAIM**

The ornamental design for a trash receptacle, as shown and described.

DESCRIPTION

FIG. 1 is a perspective view of a trash receptacle incorporating the design features of the invention;

FIG. 2 is a front elevational view thereof, the rear elevational view identical thereto;

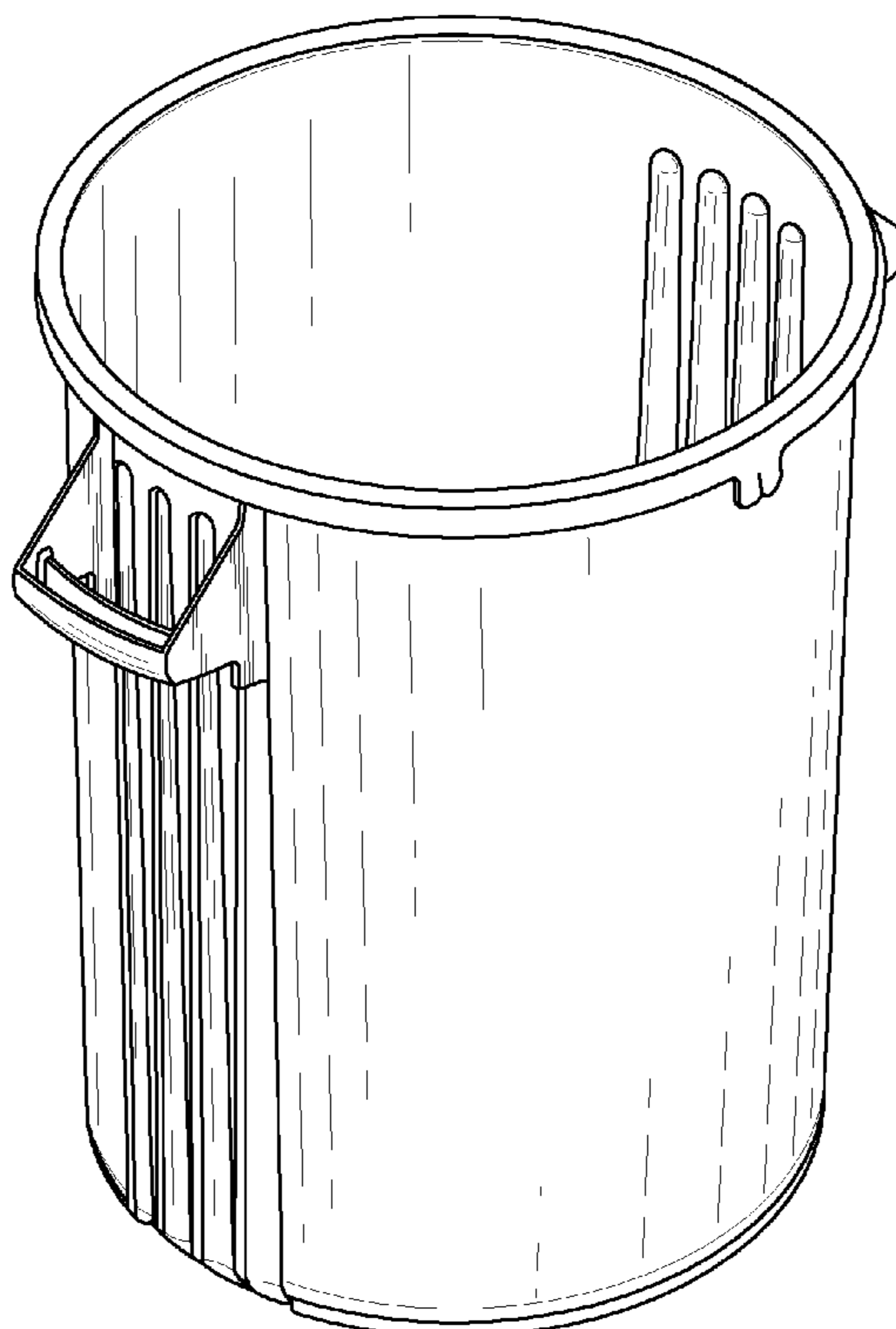
FIG. 3 is a right side elevational view thereof, the left side elevational view identical thereto;

FIG. 4 is a top plan view thereof; and,

FIG. 5 is a bottom plan view thereof.

The broken lines shown in the drawings are included for the purpose of illustrating a portion of the trash receptacle that form no part of the claimed design.

1 Claim, 3 Drawing Sheets



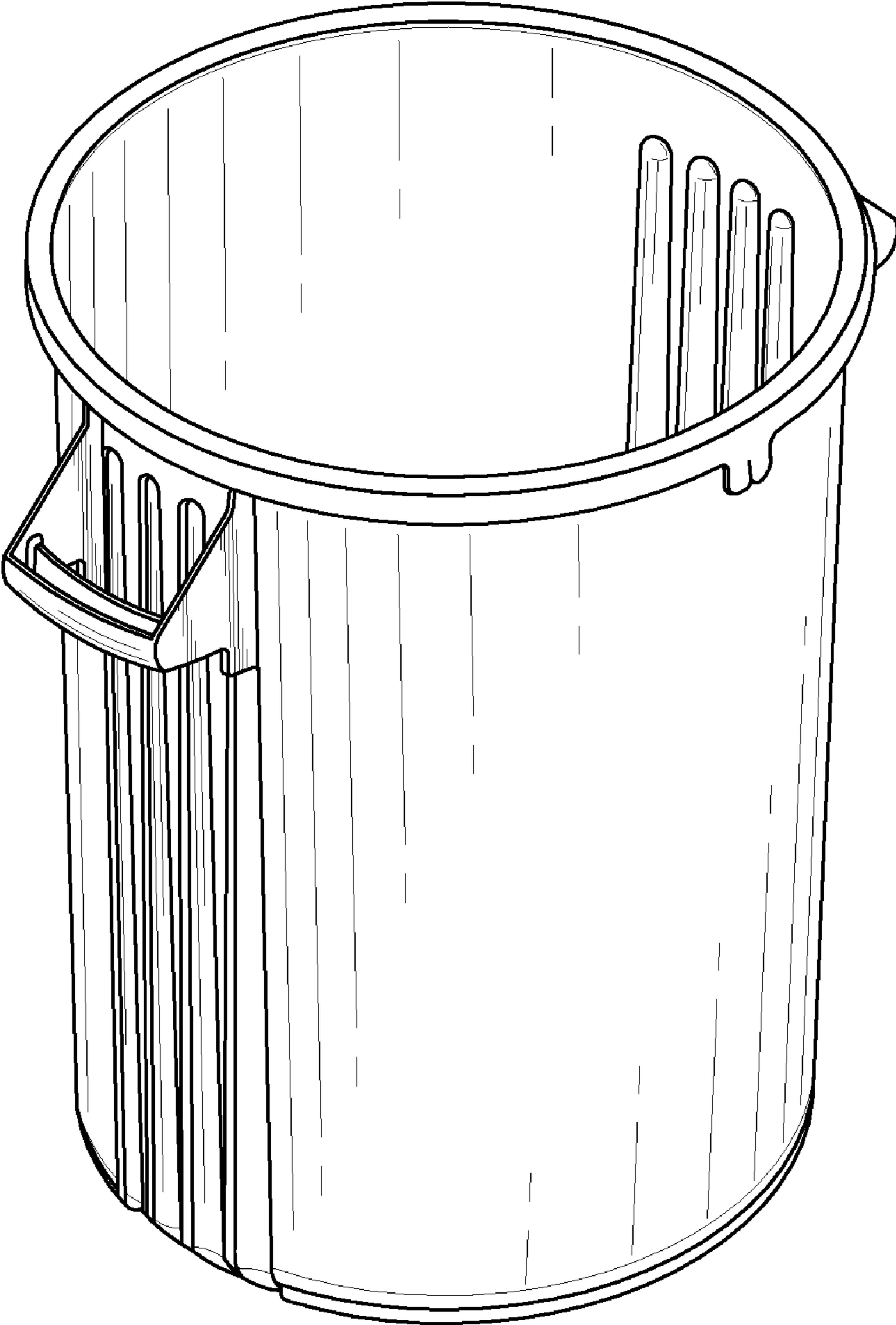


FIG. 1

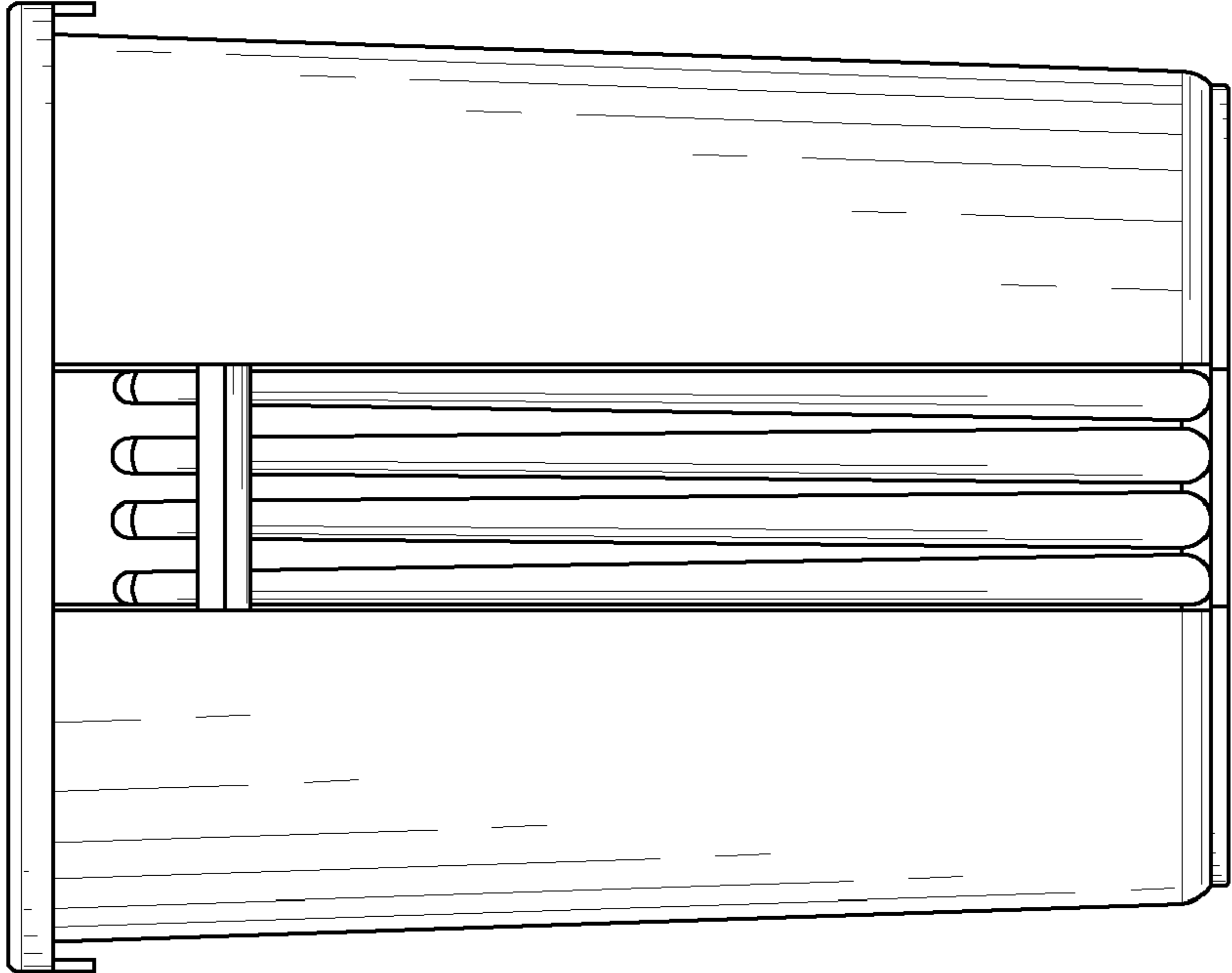


FIG. 3

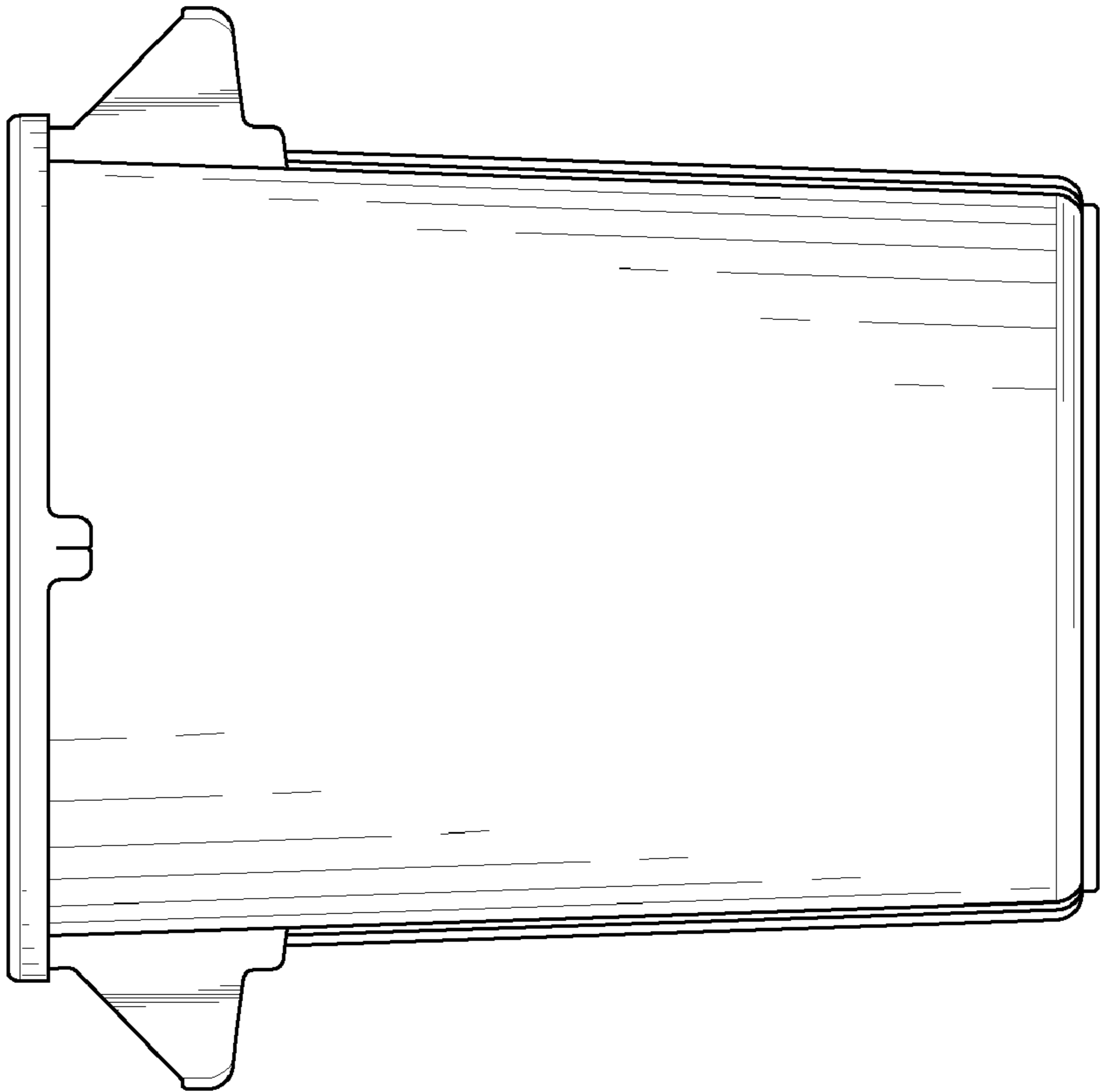


FIG. 2

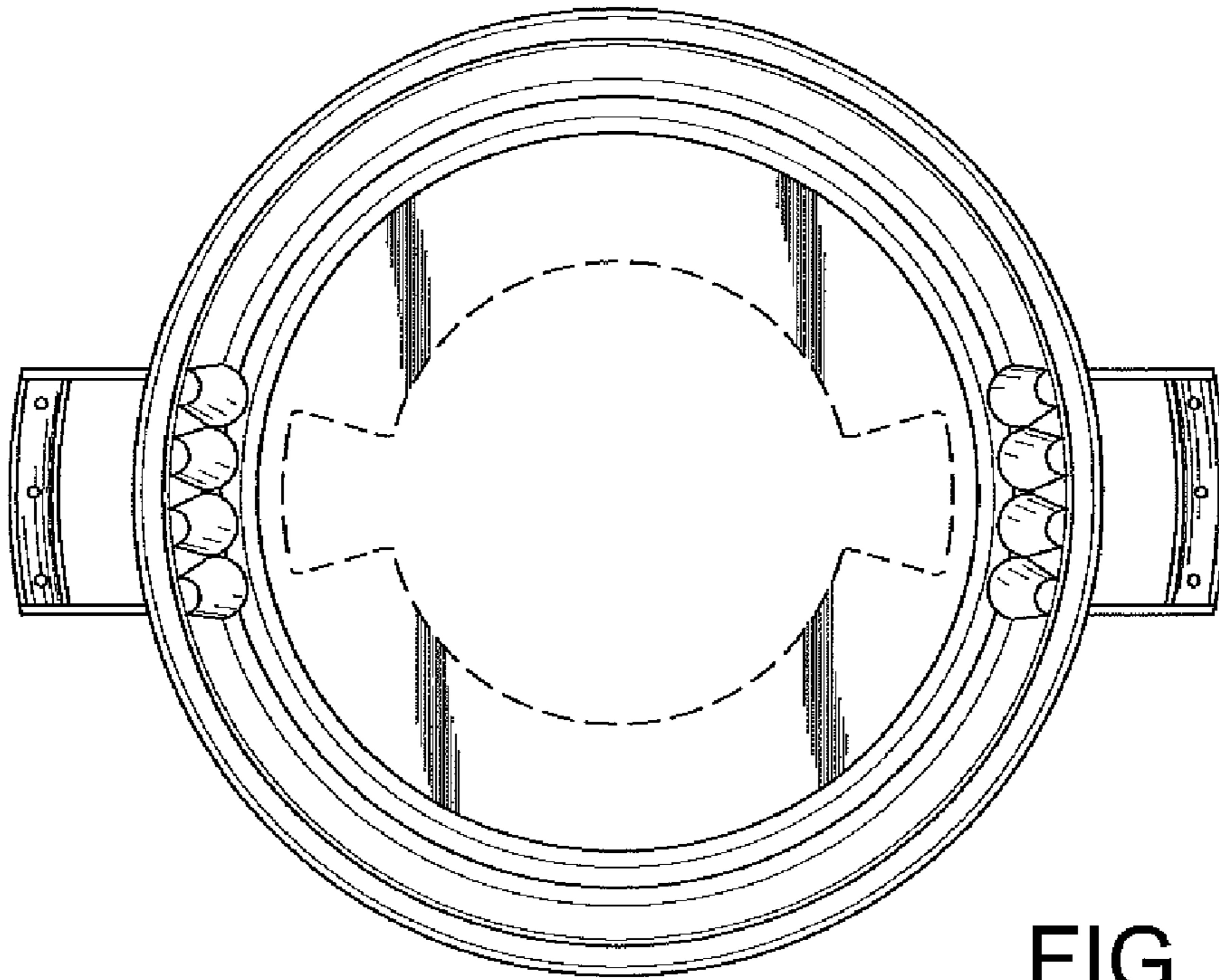


FIG. 4

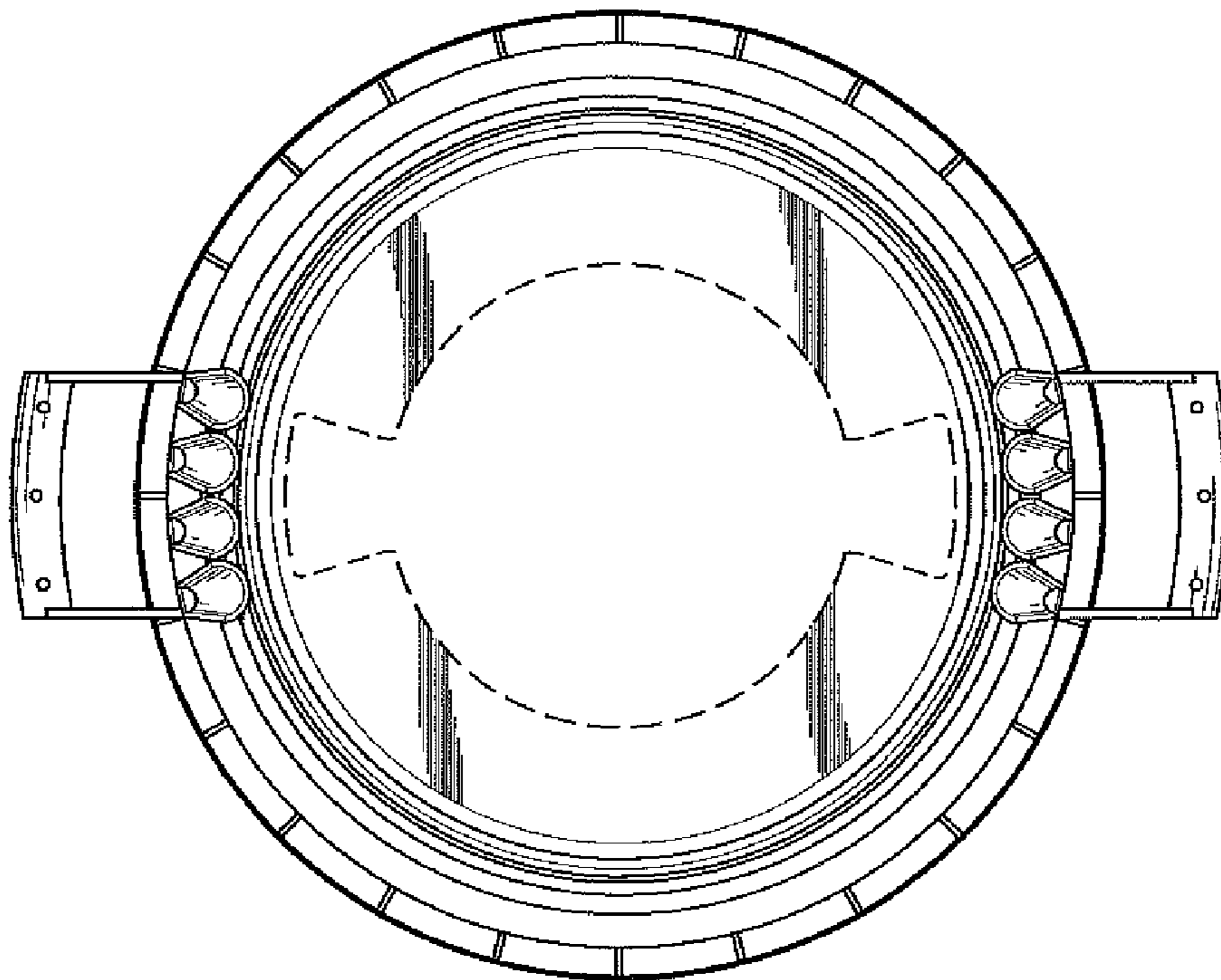


FIG. 5