



US00D636956S

(12) **United States Design Patent**
Sgroi, Jr. et al.

(10) **Patent No.:** **US D636,956 S**
(45) **Date of Patent:** **** Apr. 26, 2011**

- (54) **CEILING FAN DUSTING TOOL**
- (75) Inventors: **Anthony Sgroi, Jr.**, Wallingford, CT (US); **David Quinlan**, Plantsville, CT (US); **Jeffrey T. Mulreed**, Shelton, CT (US)
- (73) Assignee: **Unger Marketing International, LLC**, Bridgeport, CT (US)

5,319,821	A	6/1994	Nicholson	
D350,424	S	9/1994	Elliott	
D408,258	S	* 4/1999	Tsai	D8/107
D425,679	S	5/2000	Long et al.	
D452,423	S	* 12/2001	Shimansky	D8/107
6,503,615	B1	1/2003	Horii et al.	
6,978,509	B2	12/2005	Lin	
D519,819	S	* 5/2006	Jimenez	D8/107
D523,724	S	* 6/2006	Rinner et al.	D8/83
D552,956	S	* 10/2007	Wen	D8/107
7,363,674	B2	4/2008	Marshall	

- (**) Term: **14 Years**
- (21) Appl. No.: **29/379,659**
- (22) Filed: **Nov. 23, 2010**

Related U.S. Application Data

- (62) Division of application No. 29/308,898, filed on Jul. 15, 2008, now Pat. No. Des. 629,983.
- (51) **LOC (9) Cl.** **04-01**
- (52) **U.S. Cl.** **D32/40; D8/107**
- (58) **Field of Classification Search** D4/120, D4/122; D32/40, 41, 51; D8/83, 107; 15/104.8, 15/144.3, 220.3, 245, 245.1, 227, 210.1; 16/110.1, DIG. 12, DIG. 19
See application file for complete search history.

References Cited

U.S. PATENT DOCUMENTS

1,185,564	A	5/1916	Williams	
1,793,782	A	2/1931	Dietrich	
1,795,651	A	3/1931	Hunter	
2,896,243	A	7/1959	Schoenfield et al.	
D197,501	S	* 2/1964	Huxtable	D8/83
D274,854	S	7/1984	Nishiyama	
D274,855	S	7/1984	Nishiyama	
D296,022	S	5/1988	Restivo	
4,827,556	A	5/1989	Corsetti	
4,841,592	A	6/1989	Restivo	
D304,106	S	10/1989	Dobson	
5,116,151	A	5/1992	Lytton	
D328,373	S	7/1992	Murray	

OTHER PUBLICATIONS

Casabella Clean, Microfiber Ceiling Fan Duster, www.casabella.com, 1 page.
Office Action from U.S. Appl. No. 29/308,898, filed Jun. 30, 2010, Sgroi, Jr., 5 pages.

* cited by examiner

Primary Examiner — Nanda Bondade
(74) *Attorney, Agent, or Firm* — Ohlandt, Greeley, Ruggiero & Perle, LLP

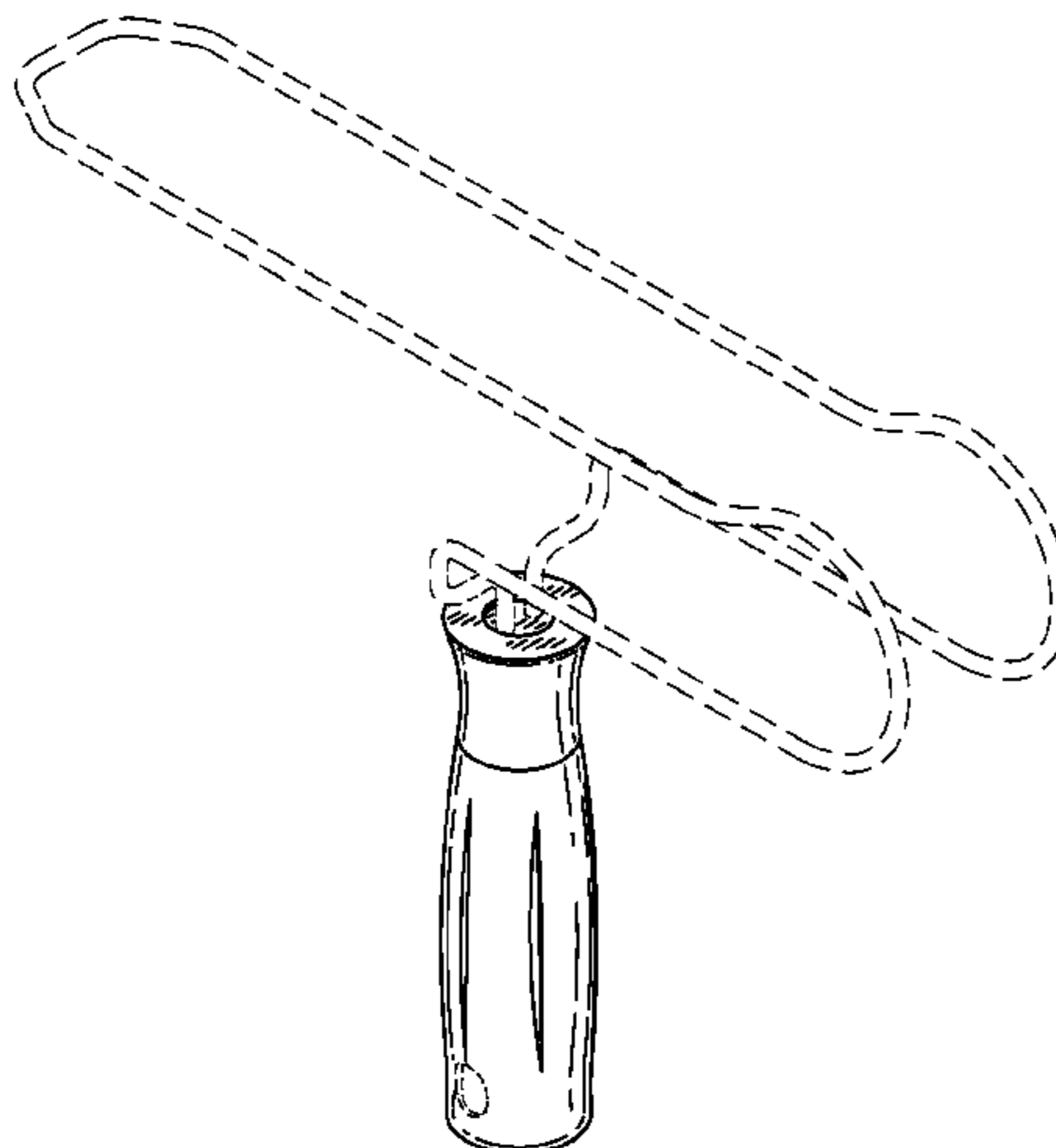
(57) **CLAIM**

The ornamental design for the ceiling fan dusting tool, as shown and described.

DESCRIPTION

FIG. 1 is a top perspective view of a ceiling fan dusting tool of the present disclosure;
FIG. 2 is a first side view of the ceiling fan dusting tool of FIG. 1, the opposite side being identical thereto;
FIG. 3 is a front view of the ceiling fan dusting tool of FIG. 1;
FIG. 4 is a back view of the ceiling fan dusting tool of FIG. 1;
FIG. 5 is top view of the ceiling fan dusting tool of FIGS. 1; and,
FIG. 6 is bottom view of the ceiling fan dusting tool of FIG. 1.
The broken line showing on the drawing disclosure is for illustrative purposes only and forms no part of the claimed design.

1 Claim, 4 Drawing Sheets



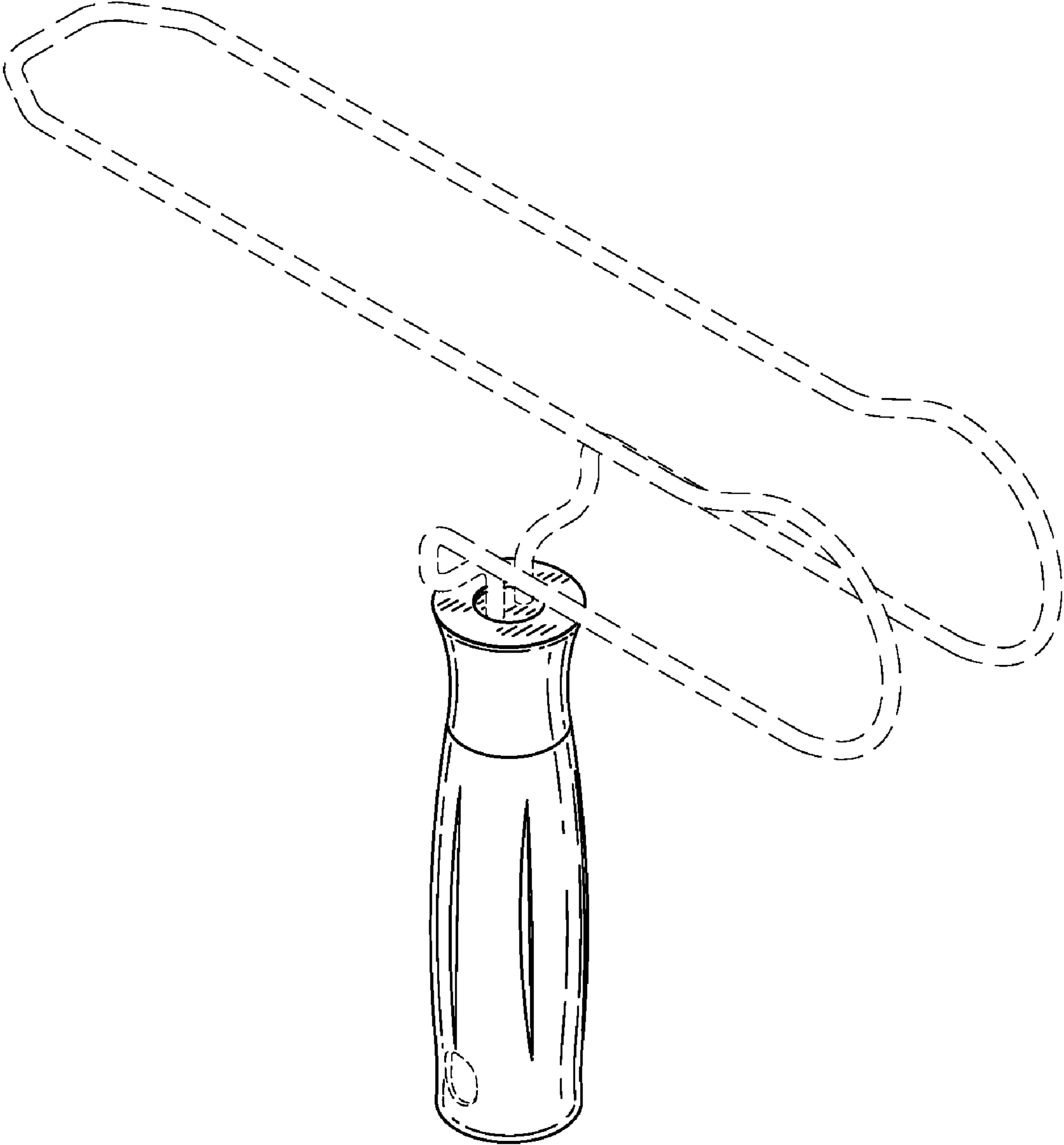


FIG. 1

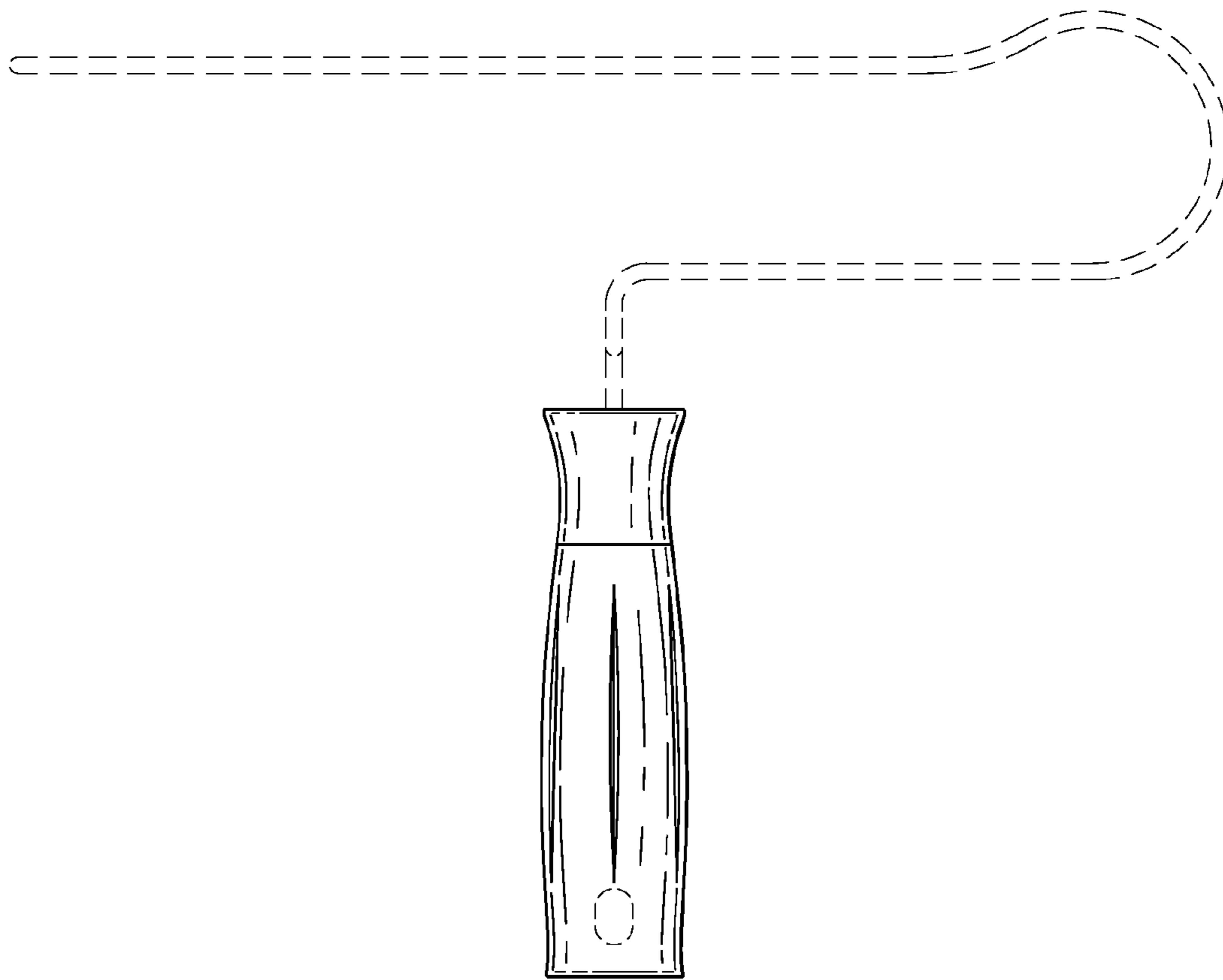


FIG. 2

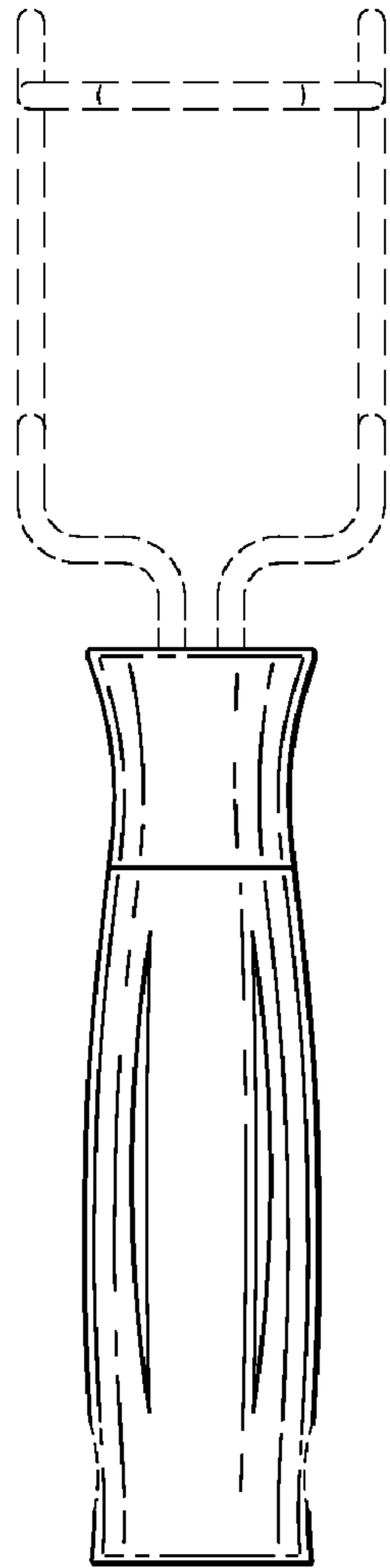


FIG. 3

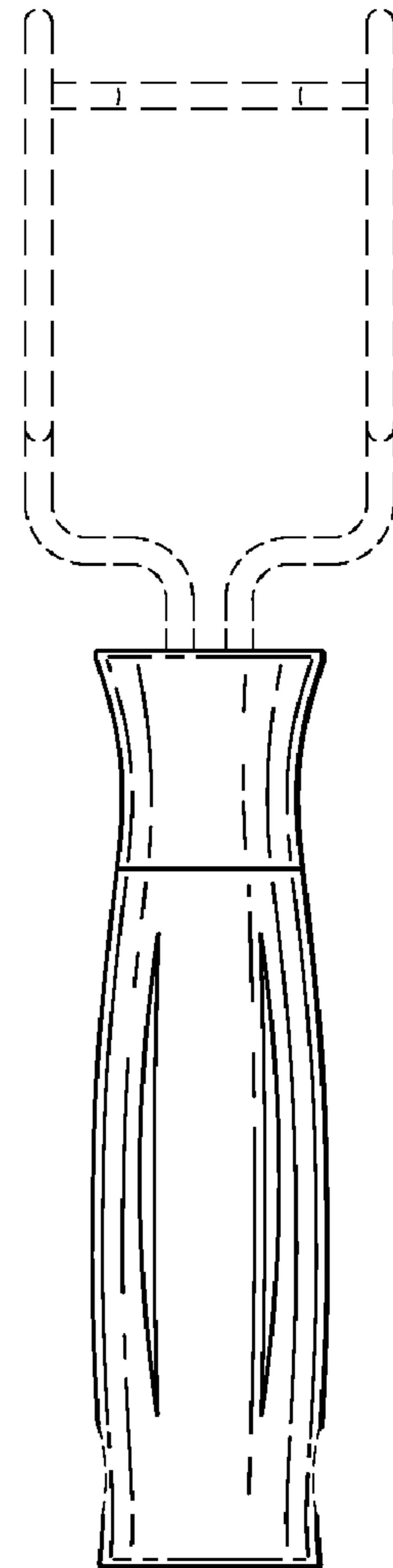


FIG. 4

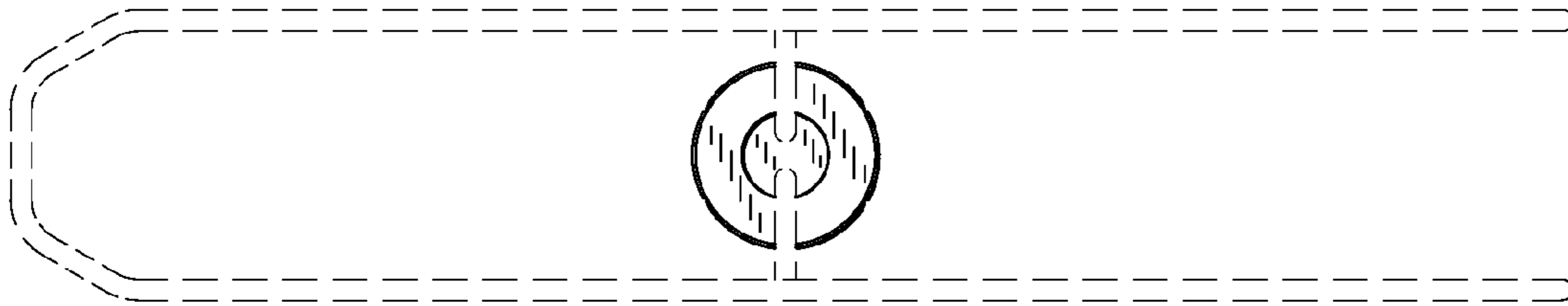


FIG. 5

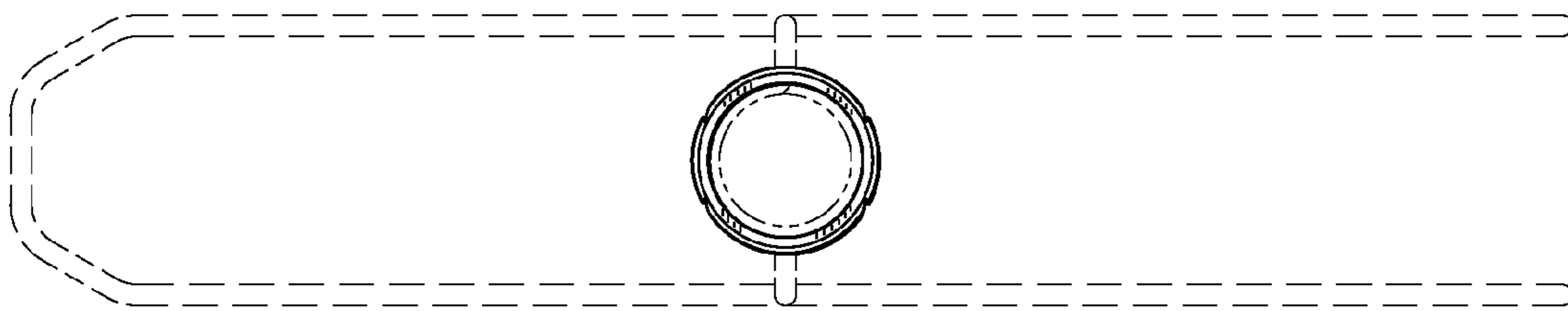


FIG. 6