



US00D636954S

(12) **United States Design Patent**
Liu et al.

(10) **Patent No.:** **US D636,954 S**

(45) **Date of Patent:** **** *Apr. 26, 2011**

(54) **VACUUM CLEANER**

(75) Inventors: **Li Liu**, Williamsport, PA (US); **Robert L. Crevling, Jr.**, Cogan Station, PA (US); **John Griffin**, Phoenix, AZ (US)

(73) Assignee: **Shop Vac Corporation**, Williamsport, PA (US)

(*) Notice: This patent is subject to a terminal disclaimer.

(**) Term: **14 Years**

(21) Appl. No.: **29/336,939**

(22) Filed: **May 12, 2009**

(51) **LOC (9) Cl.** **15-05**

(52) **U.S. Cl.** **D32/22**

(58) **Field of Classification Search** D32/18,
D32/21, 22, 31, 34; 15/329, 344, 410-411,
15/327.1, 414, 350, 353, 323; 16/110.1;
285/7, 38

See application file for complete search history.

(56) **References Cited**

U.S. PATENT DOCUMENTS

D301,649 S *	6/1989	Yamamoto et al.	D32/22
D307,656 S *	5/1990	Yuen	D32/22
D398,096 S *	9/1998	Gildersleeve	D32/22
D399,618 S *	10/1998	Jacobs	D32/22

5,983,444 A *	11/1999	Jacobs et al.	15/329
D420,475 S *	2/2000	Yuen	D32/22
D510,162 S *	9/2005	Ma	D32/22
7,171,724 B2 *	2/2007	Follegot et al.	15/329
D582,111 S *	12/2008	Ågren et al.	D32/22

* cited by examiner

Primary Examiner — Ruth McInroy

(74) *Attorney, Agent, or Firm* — Marshall, Gerstein & Borun LLP; Richard M. LaBerge; Robert M. Gerstein

(57) **CLAIM**

The ornamental design for a vacuum cleaner, as shown and described.

DESCRIPTION

FIG. 1 is a top, front, and left side perspective view of a vacuum cleaner showing the claimed design.

FIG. 2 is a top plan view of the vacuum cleaner.

FIG. 3 is a bottom plan view of the vacuum cleaner.

FIG. 4 is a right side elevational view of the vacuum cleaner.

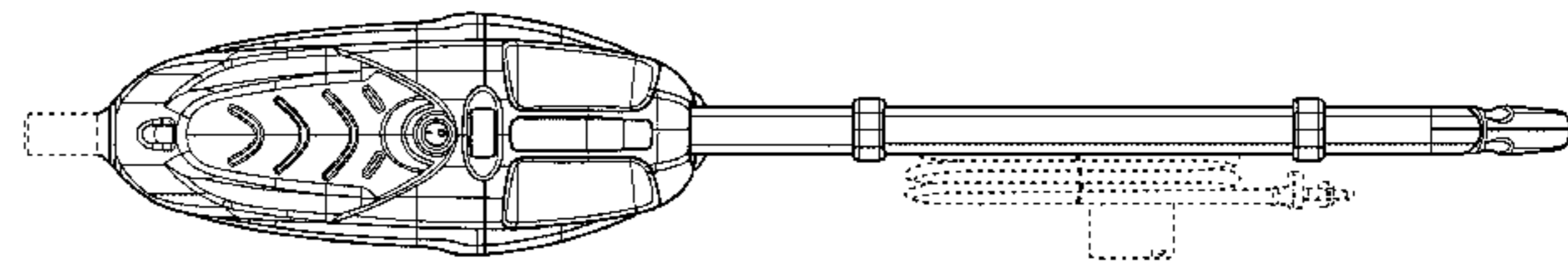
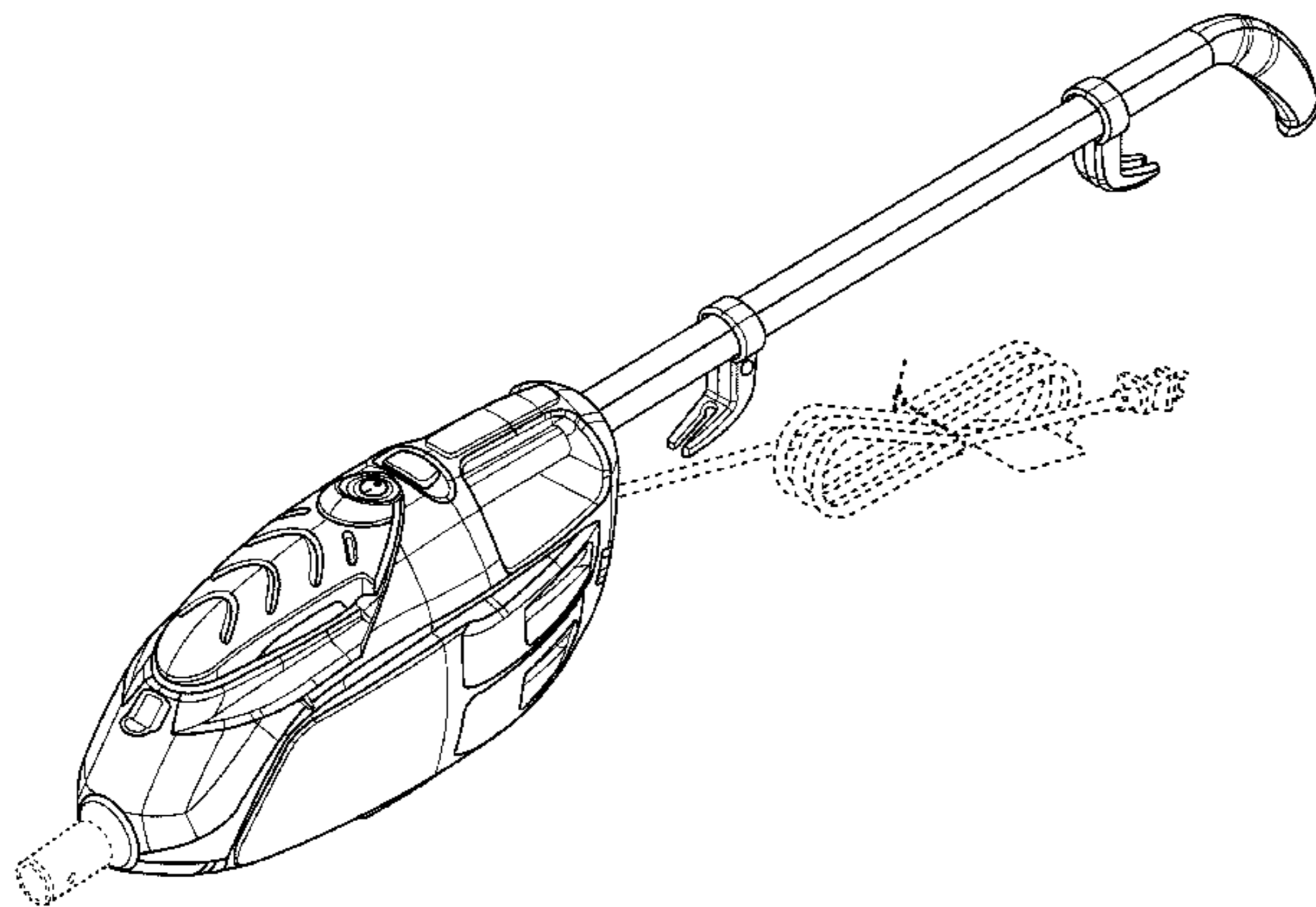
FIG. 5 is a left side elevational view of the vacuum cleaner.

FIG. 6 is an enlarged front elevational view of the vacuum cleaner; and,

FIG. 7 is an enlarged rear elevational view of the vacuum cleaner.

The broken line showing of a cord and a connector to a nozzle are for the purposes of illustrating parts of the vacuum cleaner and form no part of the claimed design.

1 Claim, 5 Drawing Sheets



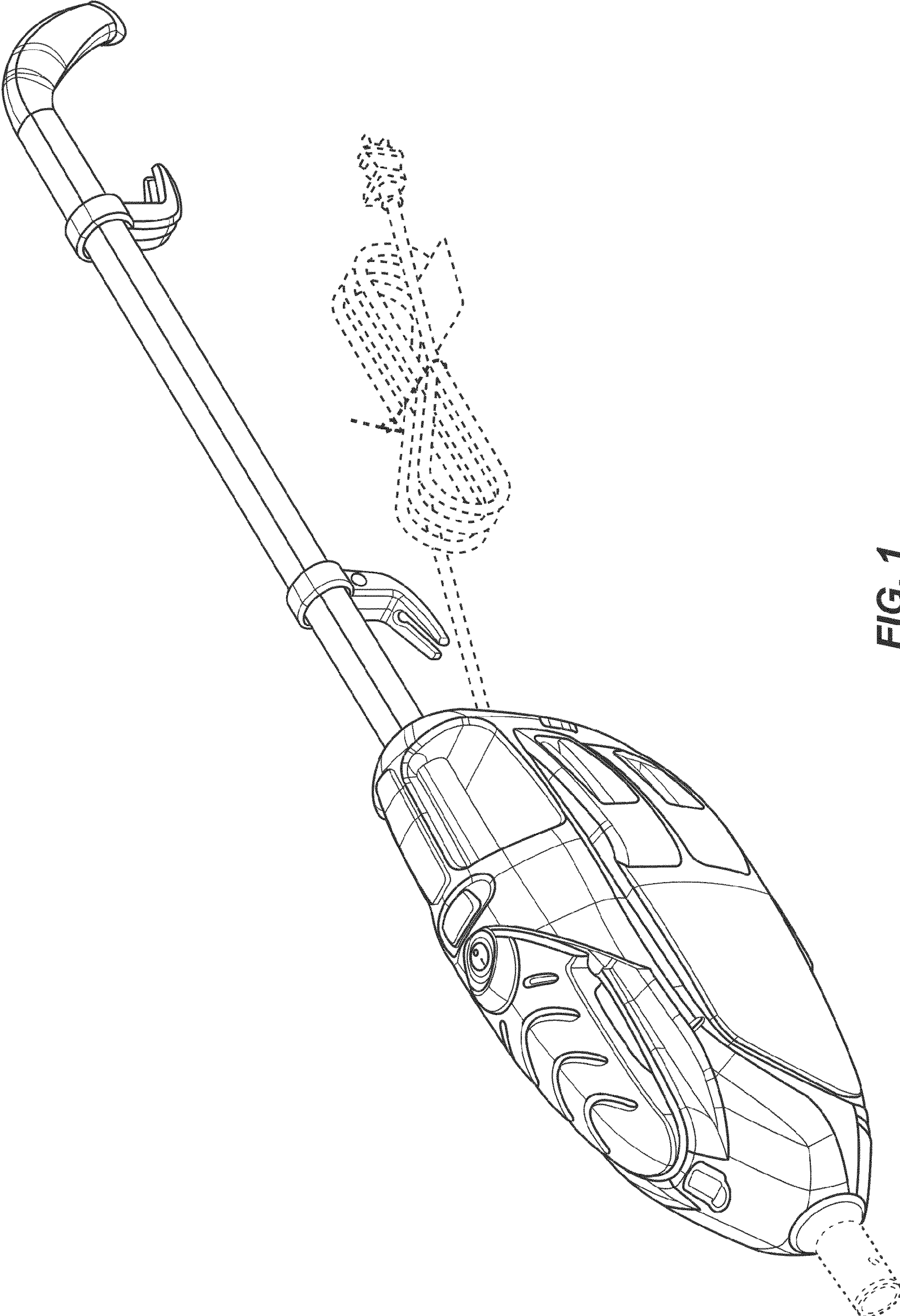


FIG. 1

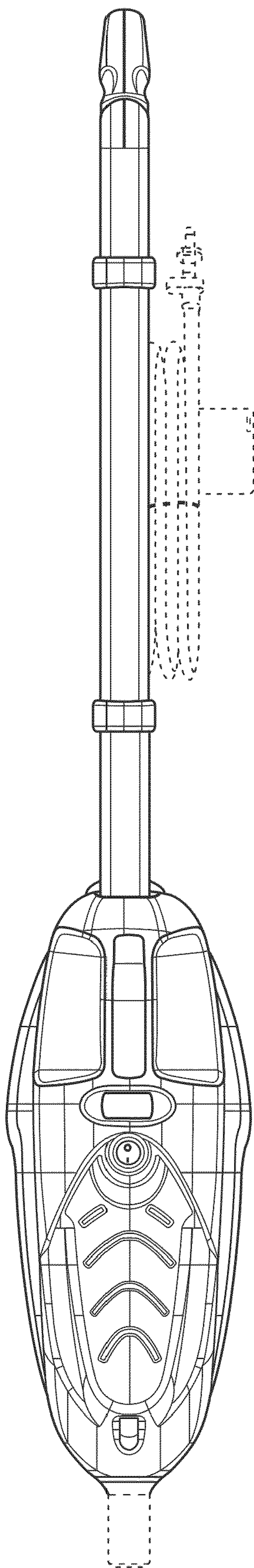


FIG. 2

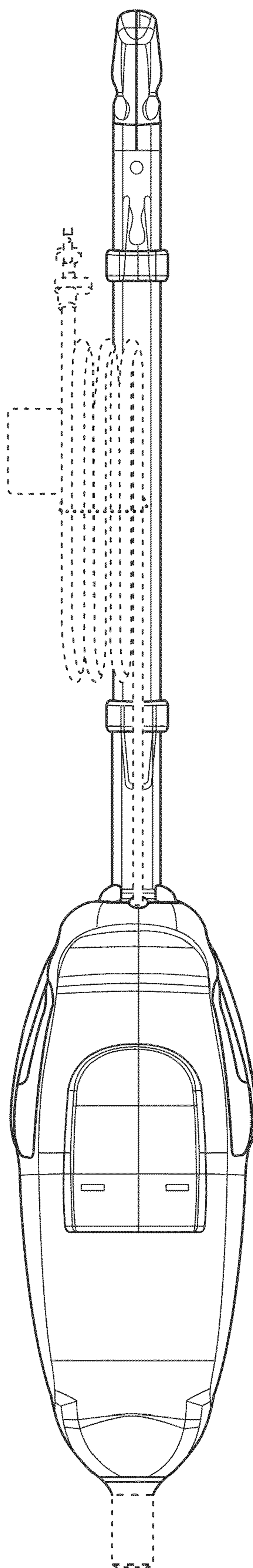


FIG. 3

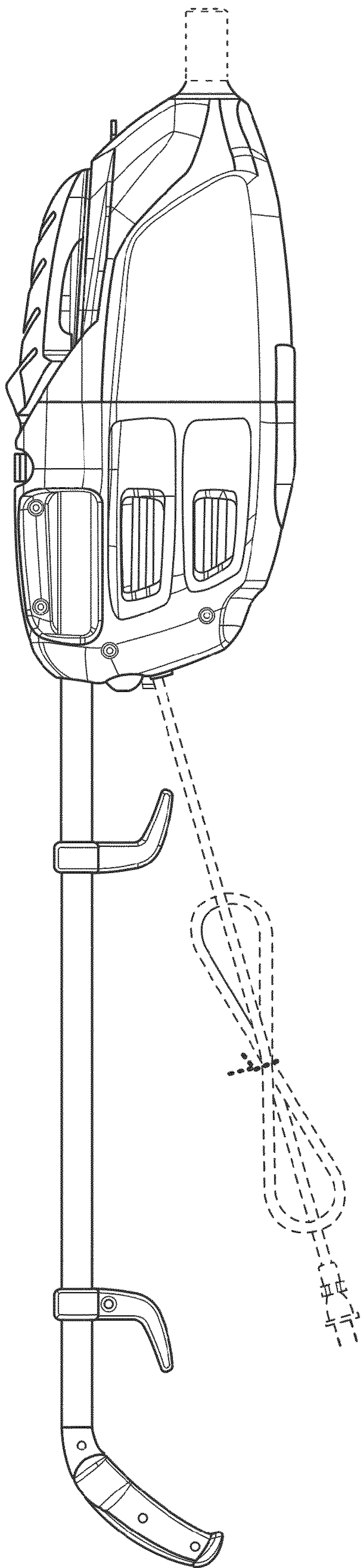


FIG. 4

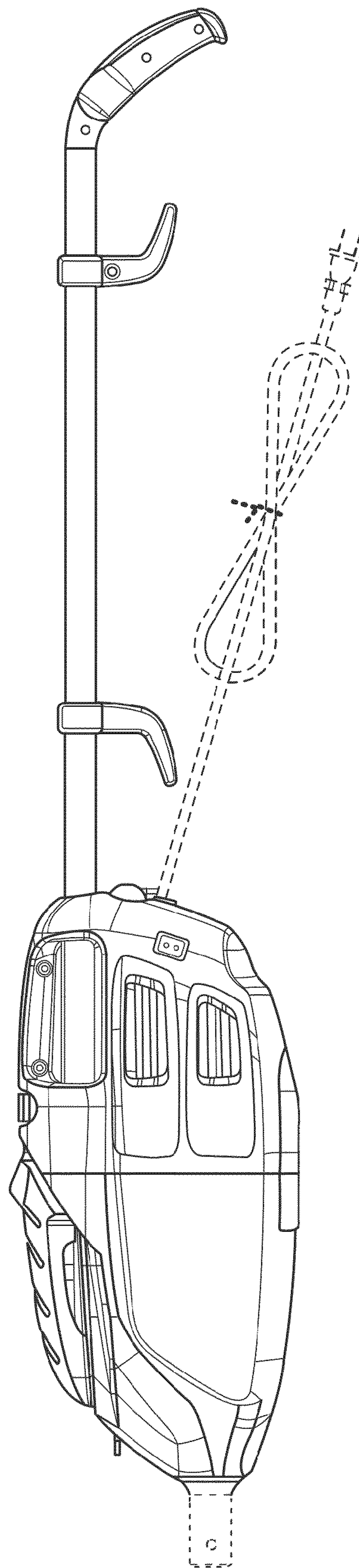


FIG. 5

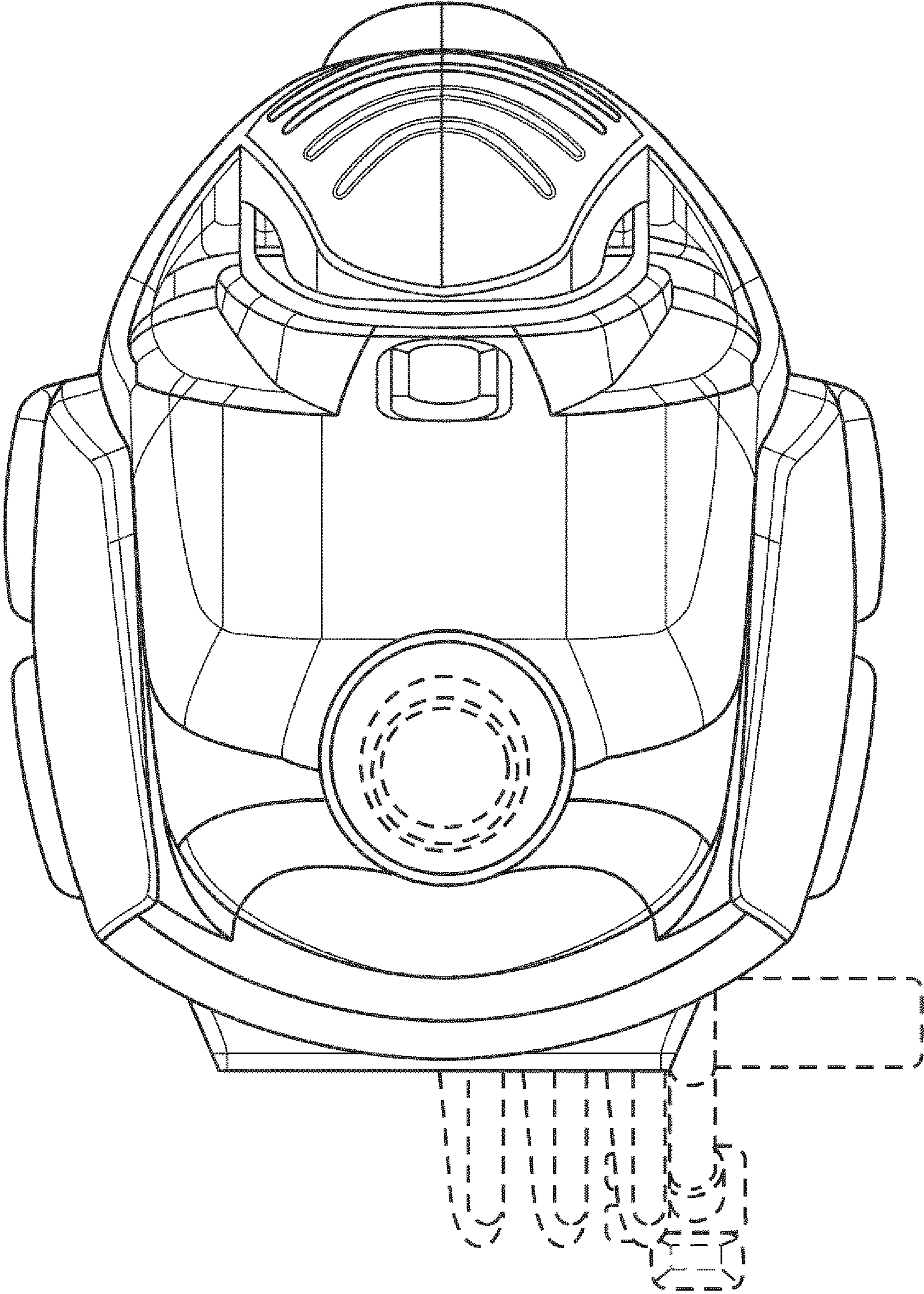


FIG. 6

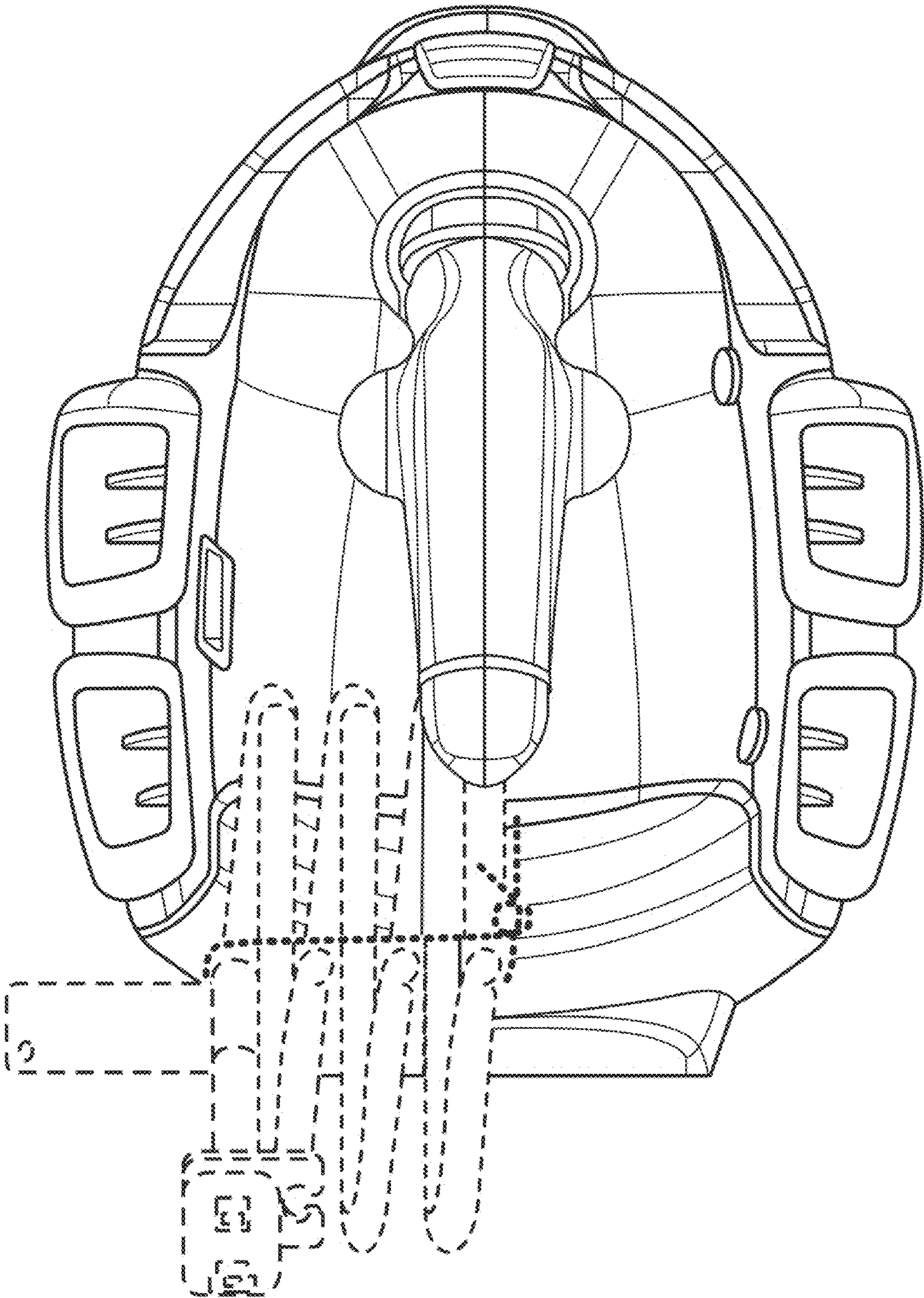


FIG. 7