



US00D636952S

(12) **United States Design Patent**
Baldwin et al.

(10) **Patent No.:** **US D636,952 S**
(45) **Date of Patent:** **** Apr. 26, 2011**

- (54) **UTENSIL BASKET HANDLE**
- (75) Inventors: **Mark W. Baldwin**, Saint Joseph, MI (US); **Michael T. Zitkovic, Jr.**, Saint Joseph, MI (US)
- (73) Assignee: **Whirlpool Corporation**, Benton Harbor, MI (US)
- (**) Term: **14 Years**

- 5,881,906 A 3/1999 Rogers et al.
- 6,161,718 A * 12/2000 Monbo 220/486
- D438,043 S * 2/2001 Hofman D6/566
- D487,825 S * 3/2004 Kim et al. D32/3
- D488,891 S 4/2004 Smith et al.
- D502,295 S 2/2005 Feddema
- 6,945,421 B2 9/2005 Phifer
- D517,253 S * 3/2006 Raches et al. D32/3
- 7,073,682 B2 7/2006 Raches et al.
- D530,919 S * 10/2006 Snell D3/304

(Continued)

- (21) Appl. No.: **29/359,101**
 - (22) Filed: **Apr. 6, 2010**
 - (51) **LOC (9) Cl.** **15-05**
 - (52) **U.S. Cl.** **D32/3**
 - (58) **Field of Classification Search** D32/1-3, D32/25, 32, 55; D3/304, 306-309; 134/93, 134/56 D, 57 D, 58 D, 58 DL, 200; 220/331, 220/487-488, 676, 812, 835; 68/212; 211/41.8, 211/41.9
- See application file for complete search history.

FOREIGN PATENT DOCUMENTS

- EP 1256309 A1 11/2002
- (Continued)

Primary Examiner — T. Chase Nelson
Assistant Examiner — Kathleen M Sims
 (74) *Attorney, Agent, or Firm* — Tara M. Hartman; Barnes & Thornburg LLP

(57) **CLAIM**
 We claim the ornamental design for a utensil basket handle, as shown and described.

(56) **References Cited**

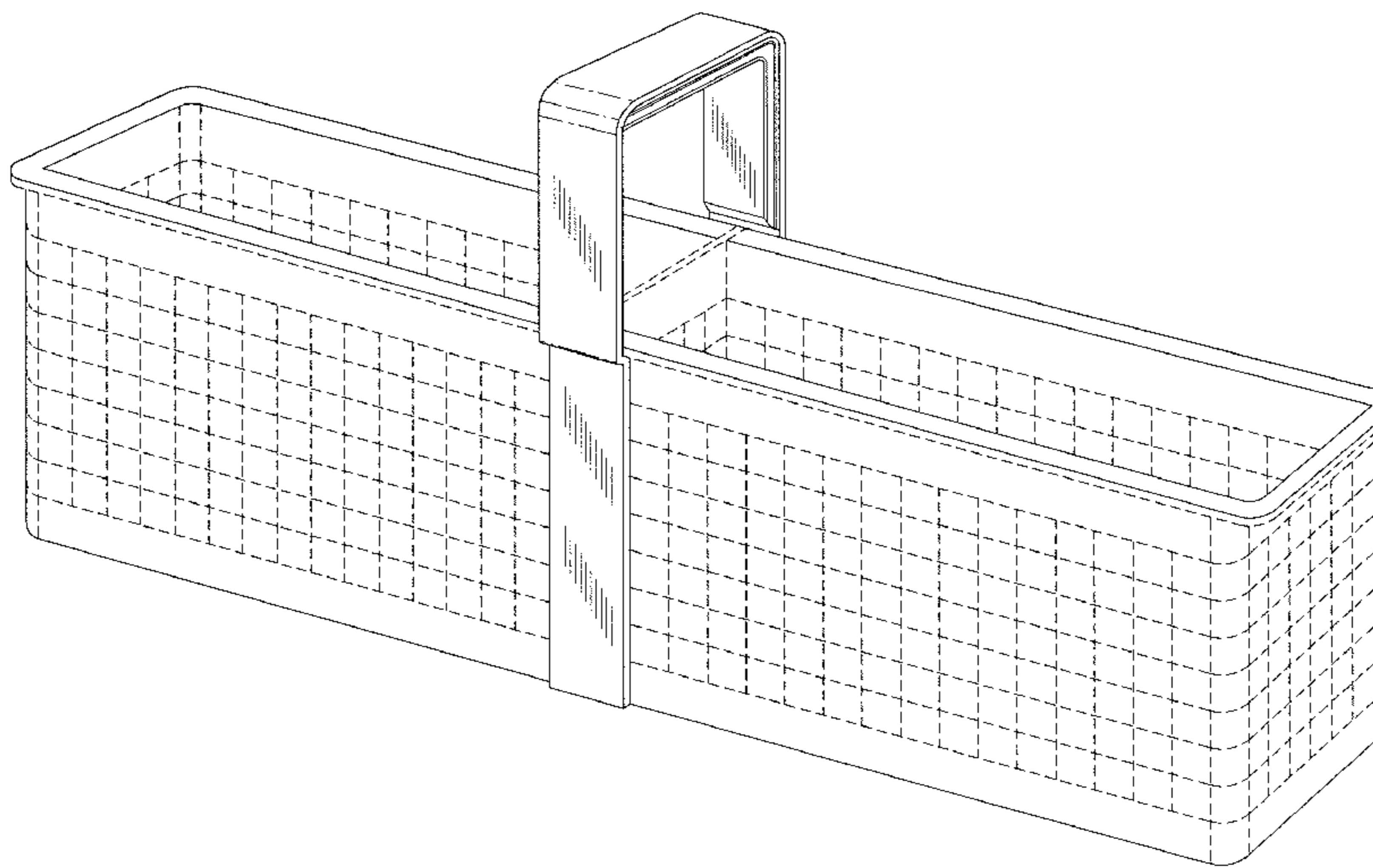
U.S. PATENT DOCUMENTS

- 363,045 A * 5/1887 Cannom 220/487
- D20,641 S * 3/1891 Doty D3/309
- D129,403 S * 9/1941 Sedgwick D3/309
- D155,392 S * 10/1949 Danielson D3/309
- 2,697,540 A * 12/1954 Malliaris 206/202
- 4,058,233 A 11/1977 Frangos
- 4,157,145 A 6/1979 Jordan
- 4,192,432 A 3/1980 Jordan
- 4,339,051 A 7/1982 Crawford
- D276,281 S * 11/1984 Landgren D3/309
- 4,834,125 A 5/1989 Insalaco
- 5,069,360 A 12/1991 Dingler et al.
- D331,477 S 12/1992 Michael et al.
- 5,287,984 A 2/1994 Michael
- 5,431,294 A 7/1995 Stottmann et al.
- D391,696 S 3/1998 Bournay, Jr. et al.
- D400,355 S * 11/1998 Apenes D3/309
- D405,268 S * 2/1999 Apenes D3/309

DESCRIPTION

FIG. 1 is a front perspective view of a utensil basket handle showing our new design;
 FIG. 2 is a front elevational view of the utensil basket handle of FIG. 1, with the back elevational view being a mirror image of FIG. 2;
 FIG. 3 is a top plan view of the utensil basket handle of FIG. 1; and,
 FIG. 4 is a first side elevational view of the utensil basket handle of FIG. 1, with the second side elevational view being a mirror image of FIG. 4.
 The bottom plan view is not shown and forms no part of the claimed design. The portion shown in broken lines is for illustrative purposes only and forms no part of the claimed design.

1 Claim, 4 Drawing Sheets



US D636,952 S

Page 2

U.S. PATENT DOCUMENTS

D530,921	S	*	10/2006	Snell	D3/304
D583,563	S	*	12/2008	Snider	D3/306
D585,195	S	*	1/2009	Dominique et al.	D3/304
D612,608	S	*	3/2010	Snell	D3/304
7,694,844	B2		4/2010	Woo		
D620,649	S	*	7/2010	Eng et al.	D32/3
2002/0139809	A1		10/2002	Barry et al.		
2006/0289041	A1		12/2006	Woo		

2009/0277484 A1 11/2009 Jerg et al.

FOREIGN PATENT DOCUMENTS

EP	2074924	A1	7/2009
JP	3652574	B2	5/2005
KR	20090118338	A	11/2009
WO	2004/000090	A1	12/2003
WO	2008/077761	A1	7/2008

* cited by examiner

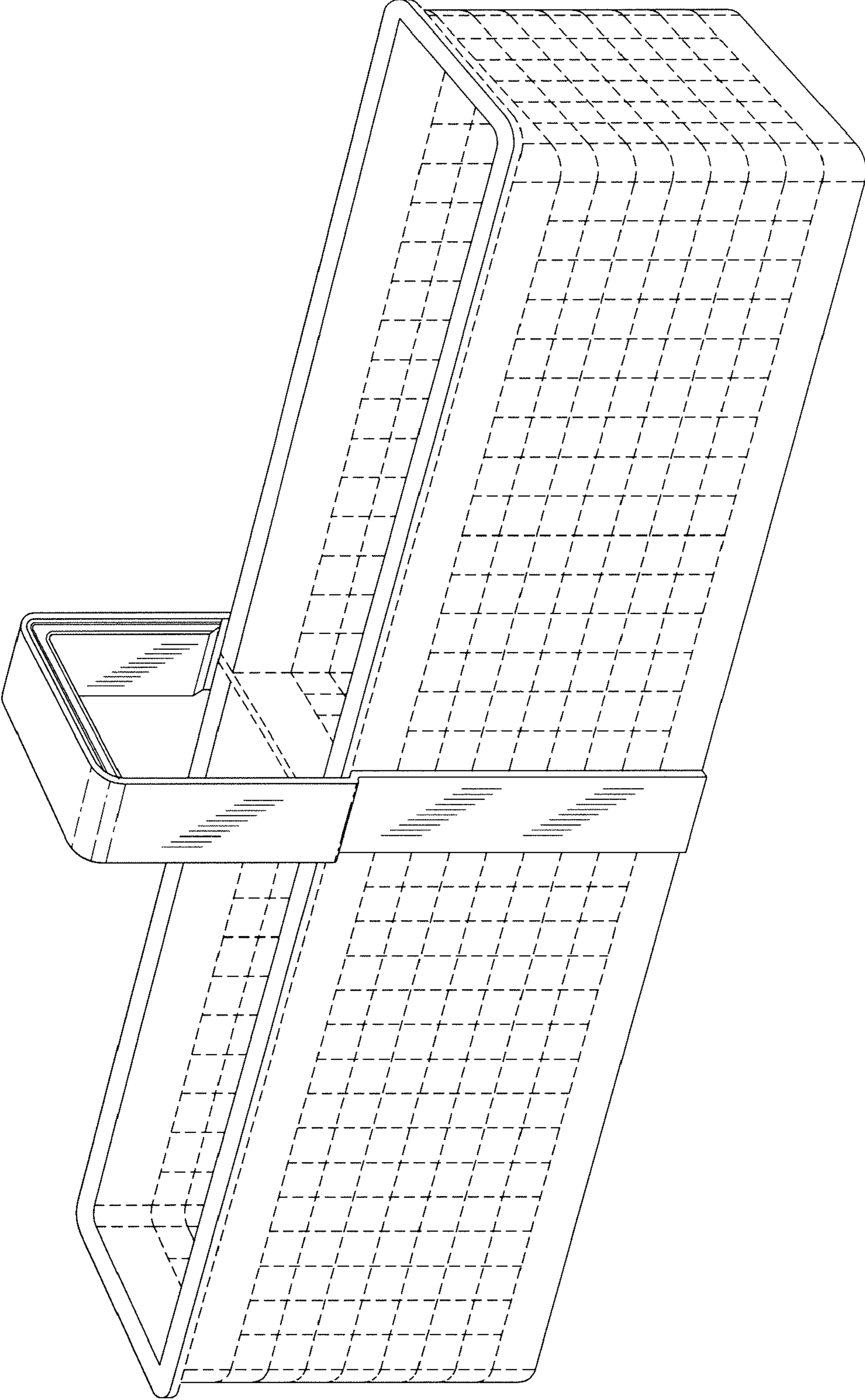


Fig. 1

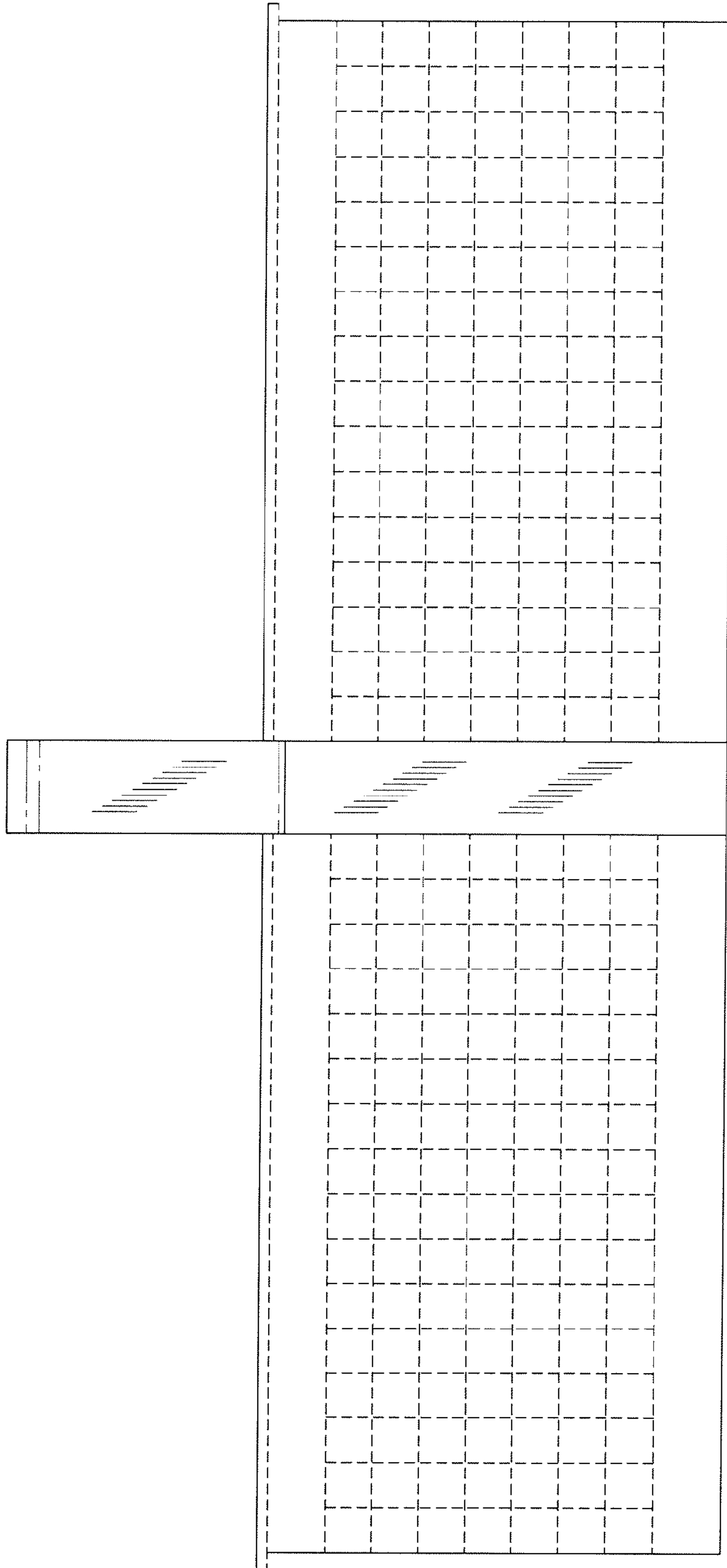


Fig. 2

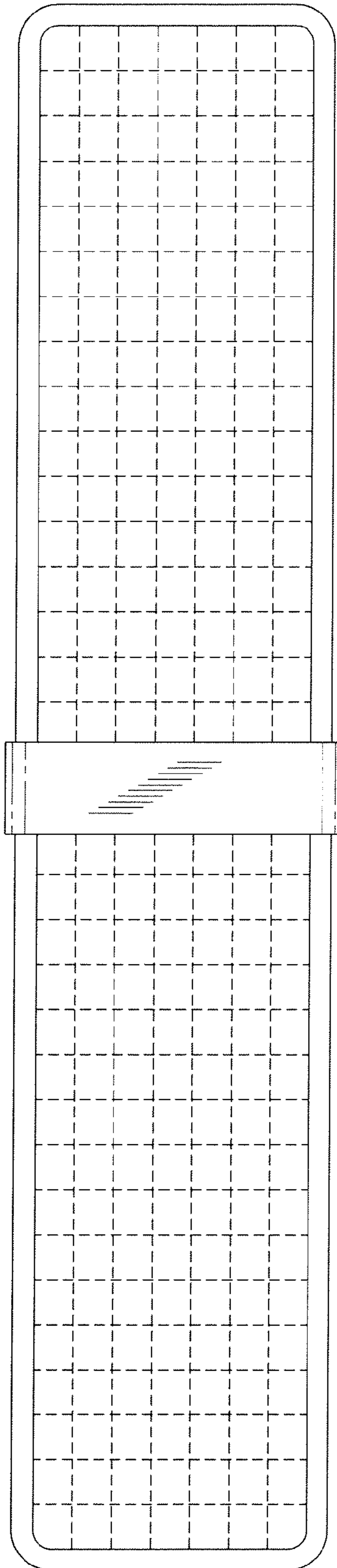


Fig. 3

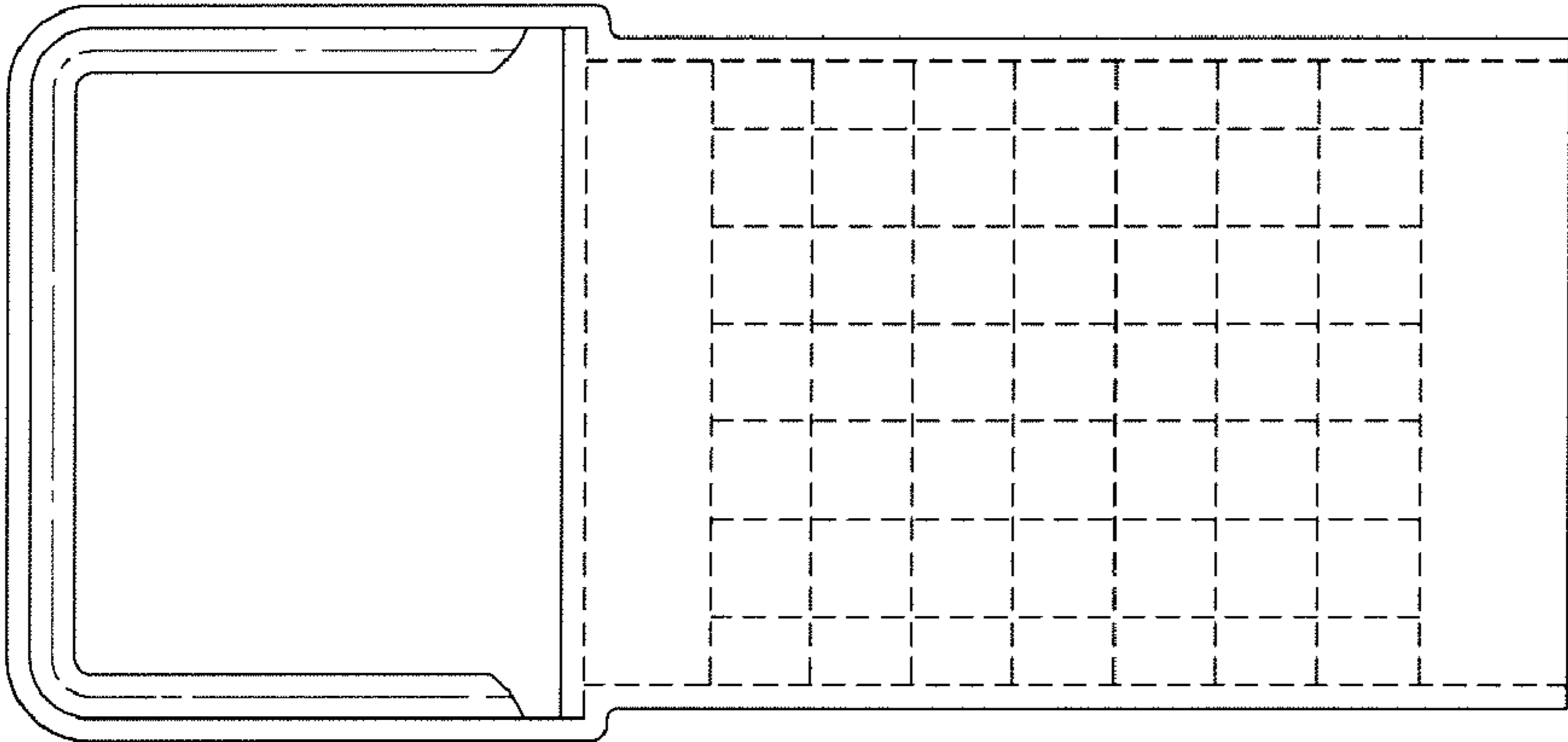


Fig. 4