

US00D636950S

(12) **United States Design Patent**
Lawson et al.

(10) **Patent No.:** **US D636,950 S**
(45) **Date of Patent:** **** Apr. 26, 2011**

(54) **CAT LITTER PAN**
(75) Inventors: **Thomas Michael Lawson**, Rogers, AR (US); **Erin Elizabeth McCracken**, Bentonville, AR (US); **Christopher Eugene Chance**, Bella Vista, AR (US)
(73) Assignee: **Stout Stuff, LLC**, Bentonville, AR (US)
(**) Term: **14 Years**

D420,855 S * 2/2000 Hurley D7/555
6,223,688 B1 5/2001 Engel
D455,239 S 4/2002 McLaughlin
6,401,660 B1 6/2002 Wolff
6,471,084 B2 * 10/2002 Erb 220/575
D502,576 S 3/2005 Miller et al.
D513,817 S 1/2006 Miller et al.
D526,748 S 8/2006 Van Skiver
D528,252 S 9/2006 Van Skiver et al.
7,150,242 B2 12/2006 Schuster et al.

(Continued)

(21) Appl. No.: **29/364,908**
(22) Filed: **Jun. 30, 2010**
(51) **LOC (9) Cl.** **30-99**
(52) **U.S. Cl.** **D30/161; D7/553.1; D7/555; D32/53.1**
(58) **Field of Classification Search** D30/161; 119/161, 163-170; D3/304, 313-315; D6/525; D7/553.555, 630, 708; D32/37, 53, 53.1, D32/55; 206/519; 220/500, 553, 575, 623
See application file for complete search history.

FOREIGN PATENT DOCUMENTS

WO WO2009024793 2/2009

Primary Examiner — Cathy Anne MacCormac
(74) *Attorney, Agent, or Firm* — Larkin Hoffman Daly & Lindgren Ltd.; Thomas J. Oppold

(57) **CLAIM**
The ornamental design of a cat litter pan, as shown and described.

(56) **References Cited**

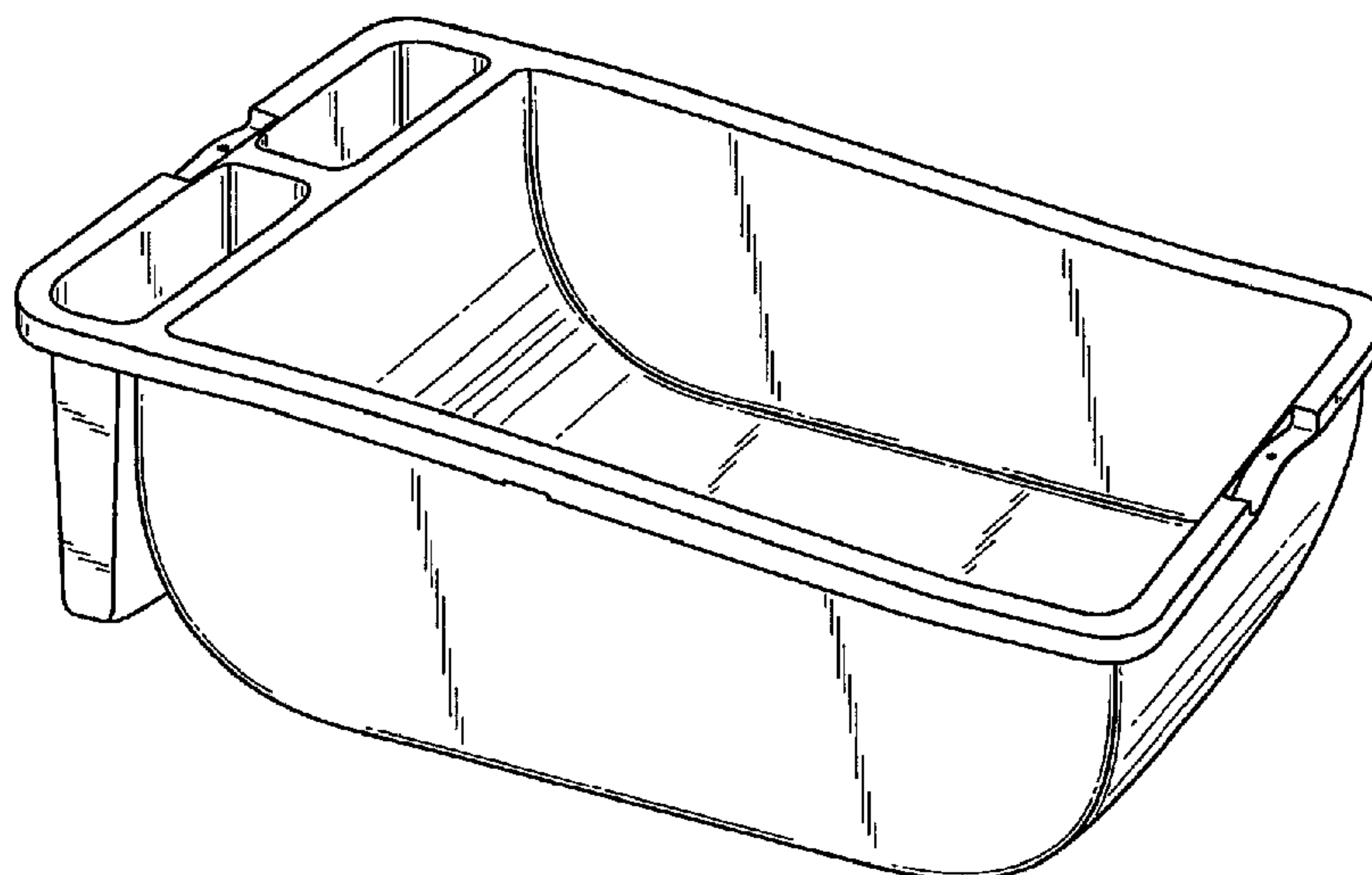
DESCRIPTION

U.S. PATENT DOCUMENTS

D185,899 S * 8/1959 Bernhardt D32/55
3,111,932 A * 11/1963 Knutson 119/165
3,310,031 A 3/1967 Lowe, Jr.
4,024,590 A * 5/1977 Wendt 220/23.4
D274,757 S 7/1984 Beaty, Sr.
4,505,226 A 3/1985 Carlson
4,766,845 A 8/1988 Bavas
D300,965 S 5/1989 Conner
D300,966 S 5/1989 Conner
D300,967 S 5/1989 Conner
D300,968 S 5/1989 Conner
5,111,951 A * 5/1992 Breen et al. 220/23.4
5,272,999 A * 12/1993 Nussle 119/166
5,402,751 A 4/1995 De La Chevrotiere
D388,560 S 12/1997 Savicki
D397,833 S * 9/1998 Adams Zurawin D32/53.1

FIG. 1 is a front perspective view of the cat litter pan of the present design.
FIG. 2 is a front elevation view of the cat litter pan of FIG. 1.
FIG. 3 is a rear elevation view of the cat litter pan of FIG. 1.
FIG. 4 is a left side elevation view of the cat litter pan of FIG. 1.
FIG. 5 is a right side elevation view of the cat litter pan of FIG. 1.
FIG. 6 is a top plan view of the cat litter pan of FIG. 1; and, FIG. 7 is a bottom plan view of the cat litter pan of FIG. 1.
The broken lines showing the structural reinforcement ribs on the bottom surface of the cat litter pan form no part of the claimed design.

1 Claim, 4 Drawing Sheets



US D636,950 S

Page 2

U.S. PATENT DOCUMENTS									
D534,695	S	1/2007	Van Skiver	D612,113	S *	3/2010	Petersen	D30/161
7,380,519	B2	6/2008	Ikegami et al.	2003/0188690	A1	10/2003	Zabik		
D579,158	S	10/2008	Gillis et al.	2007/0277740	A1	12/2007	Delman et al.		
D605,369	S *	12/2009	Petersen	D30/161	2009/0000558	A1	1/2009	Matsuo et al.
D608,959	S	1/2010	Kim						

* cited by examiner

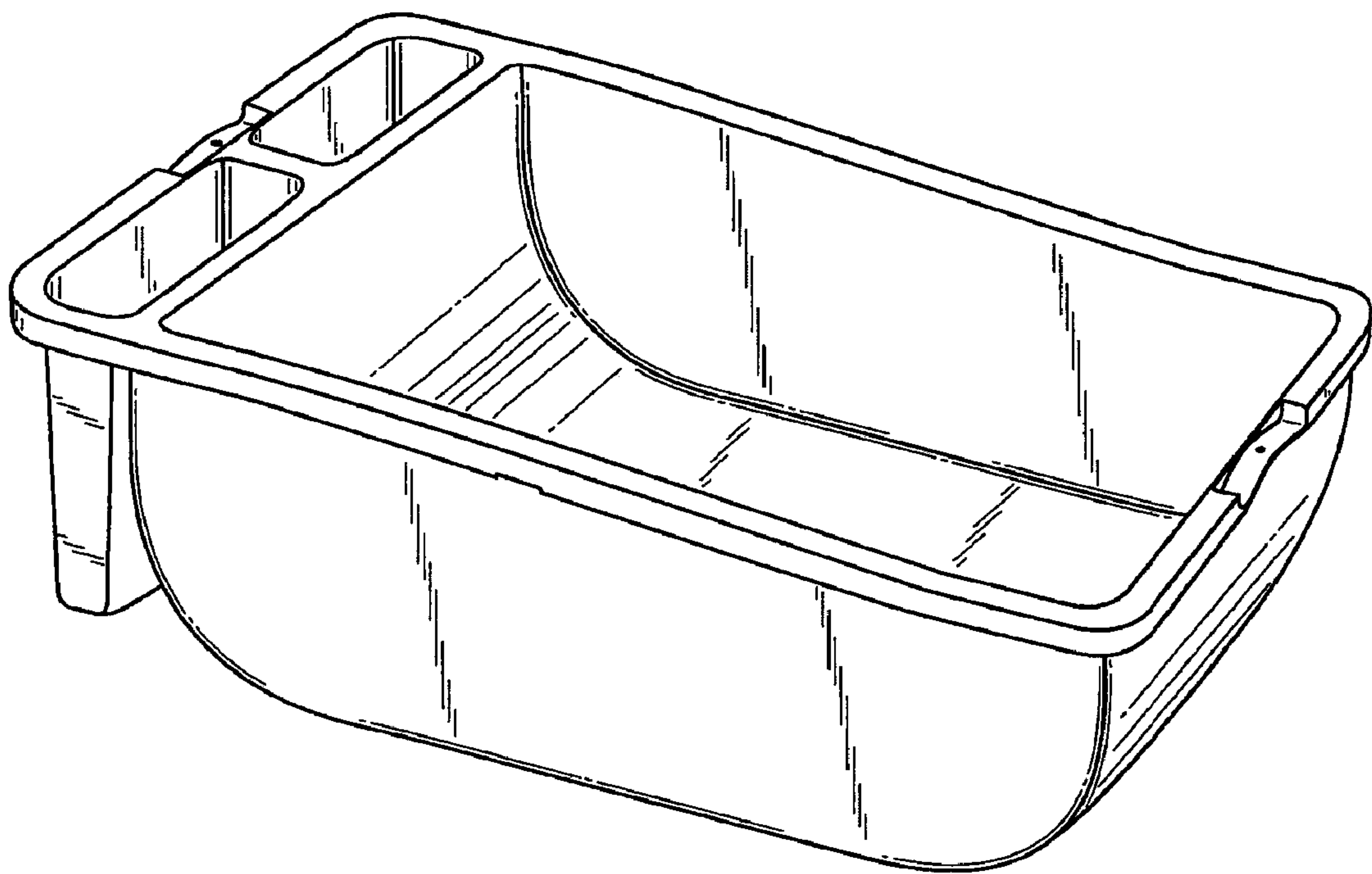


Fig. 1

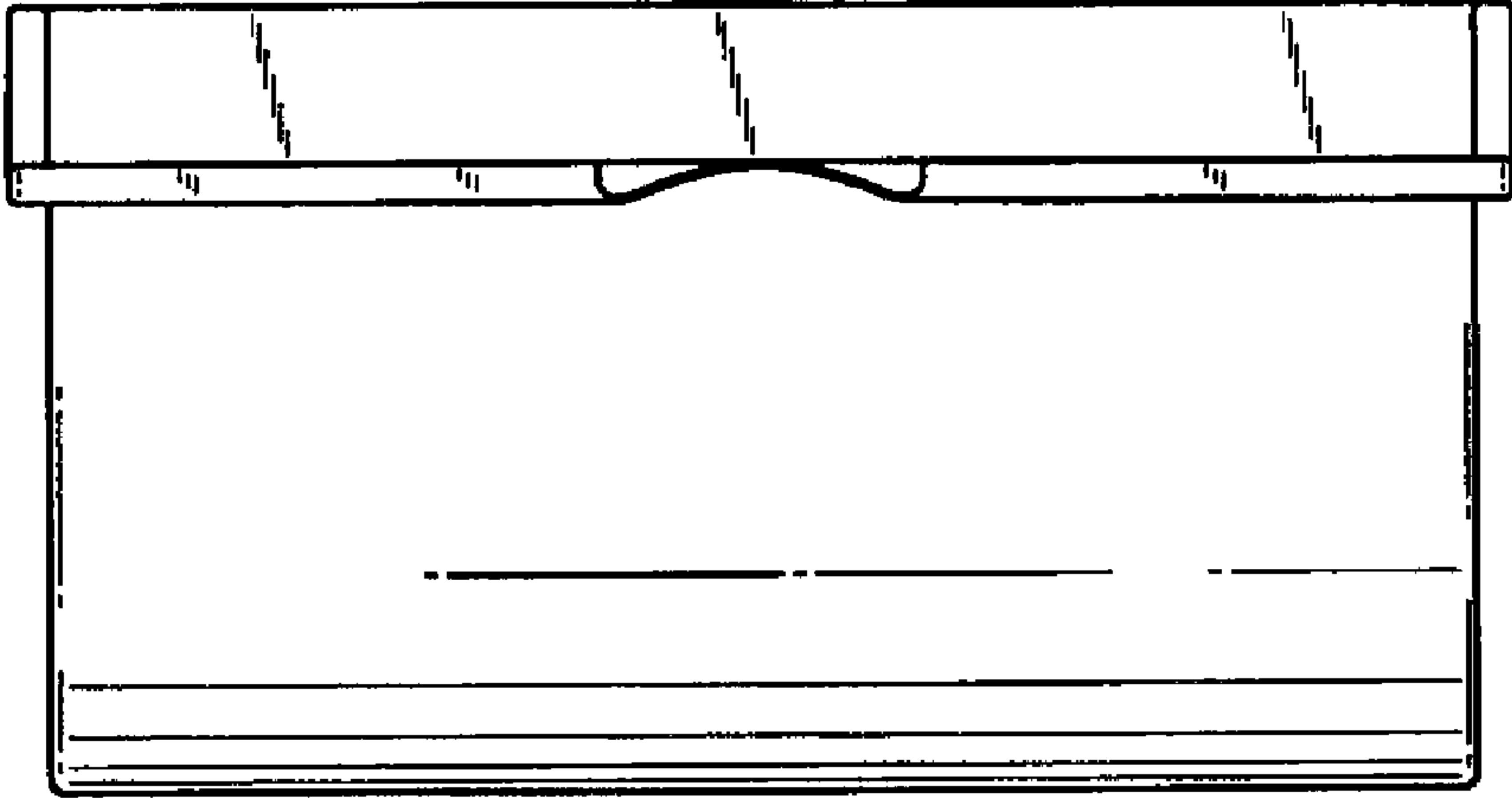


Fig. 2

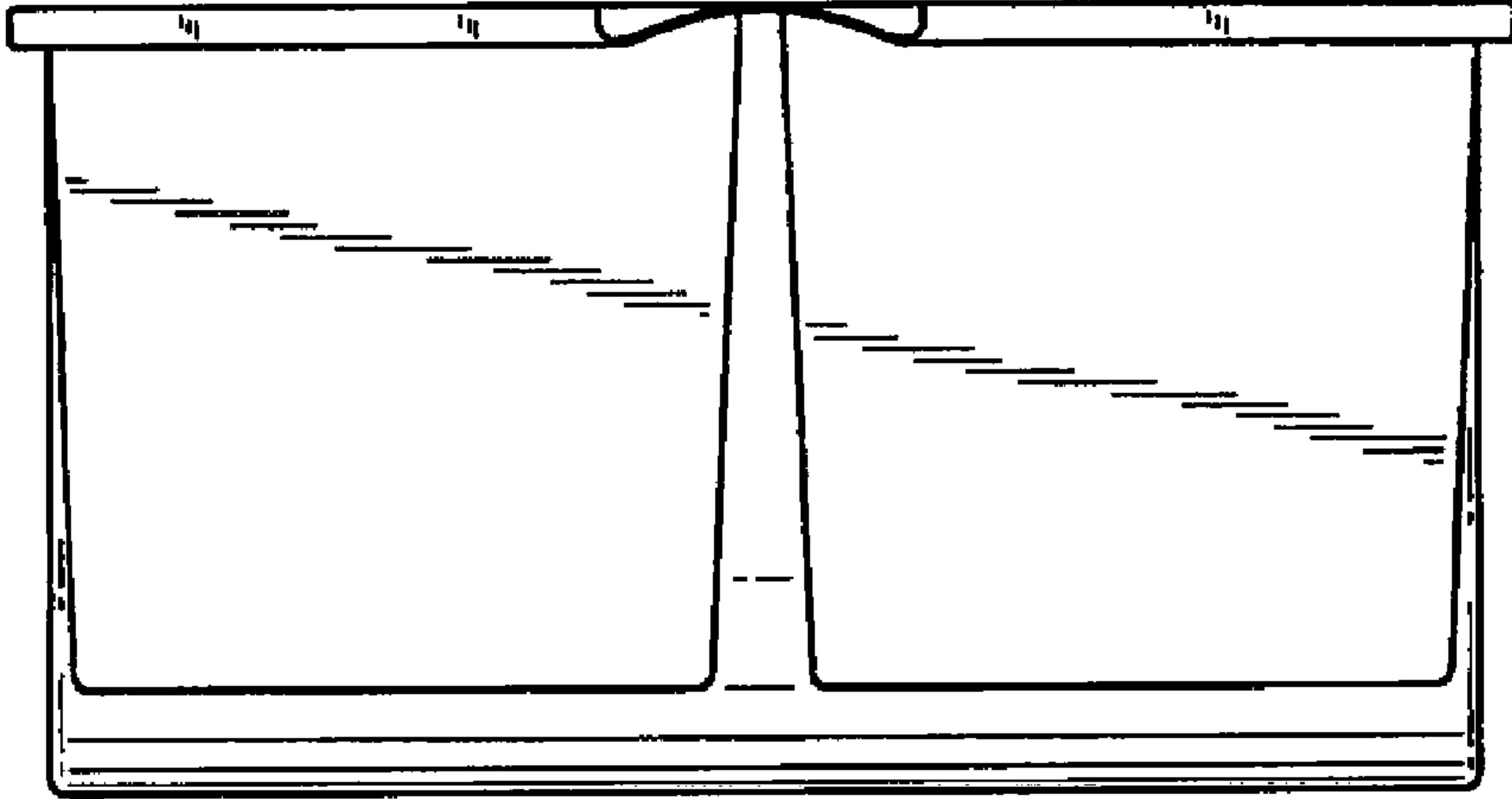


Fig. 3

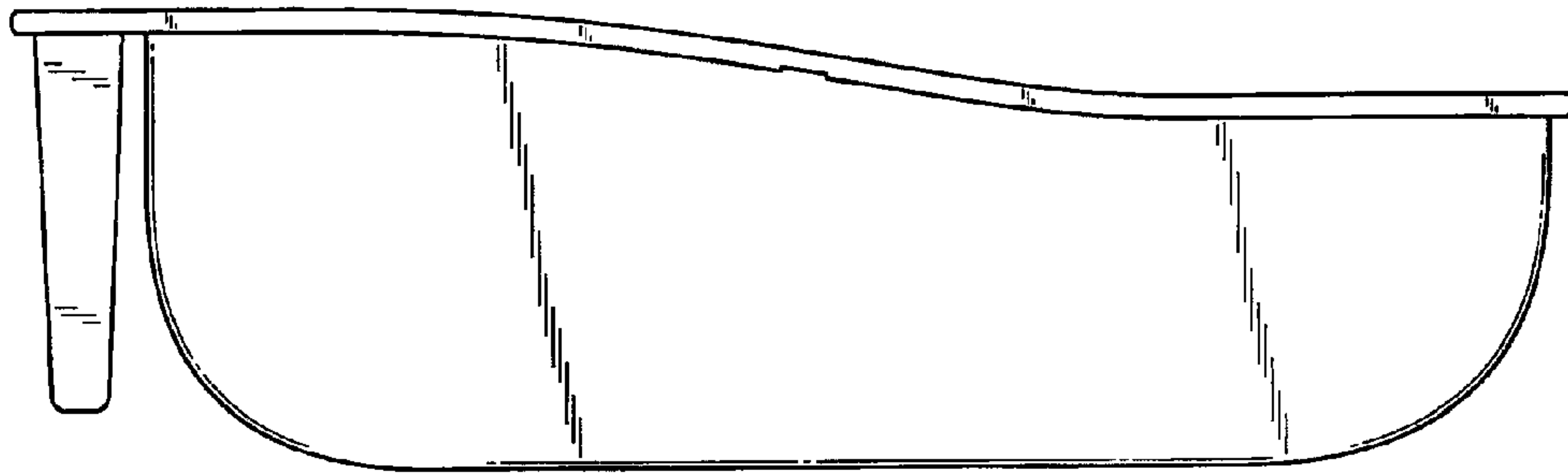


Fig. 4

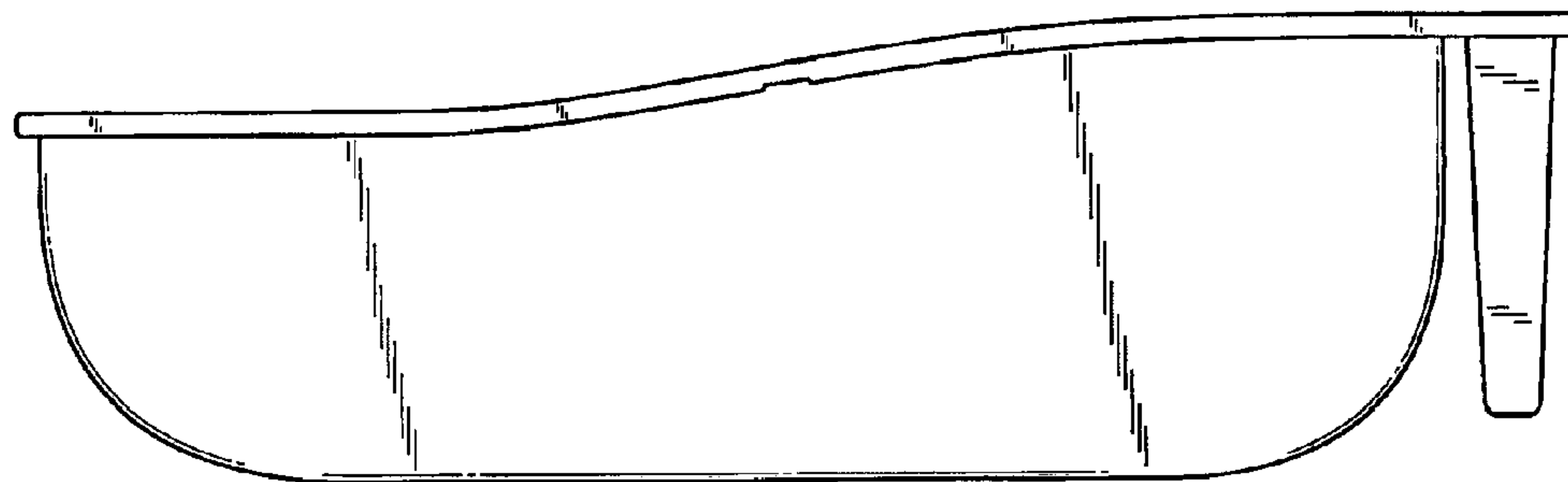


Fig. 5

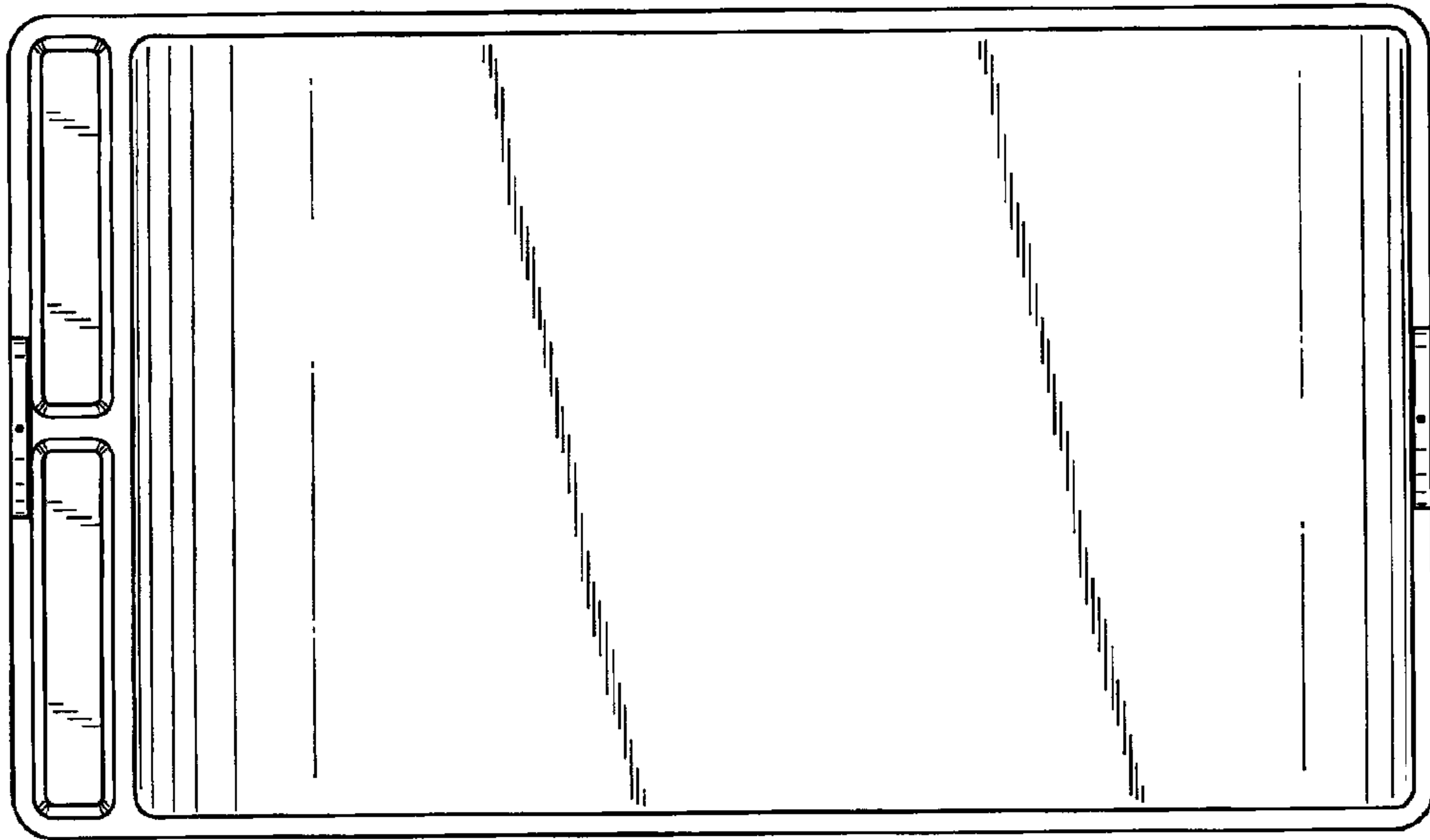


Fig. 6

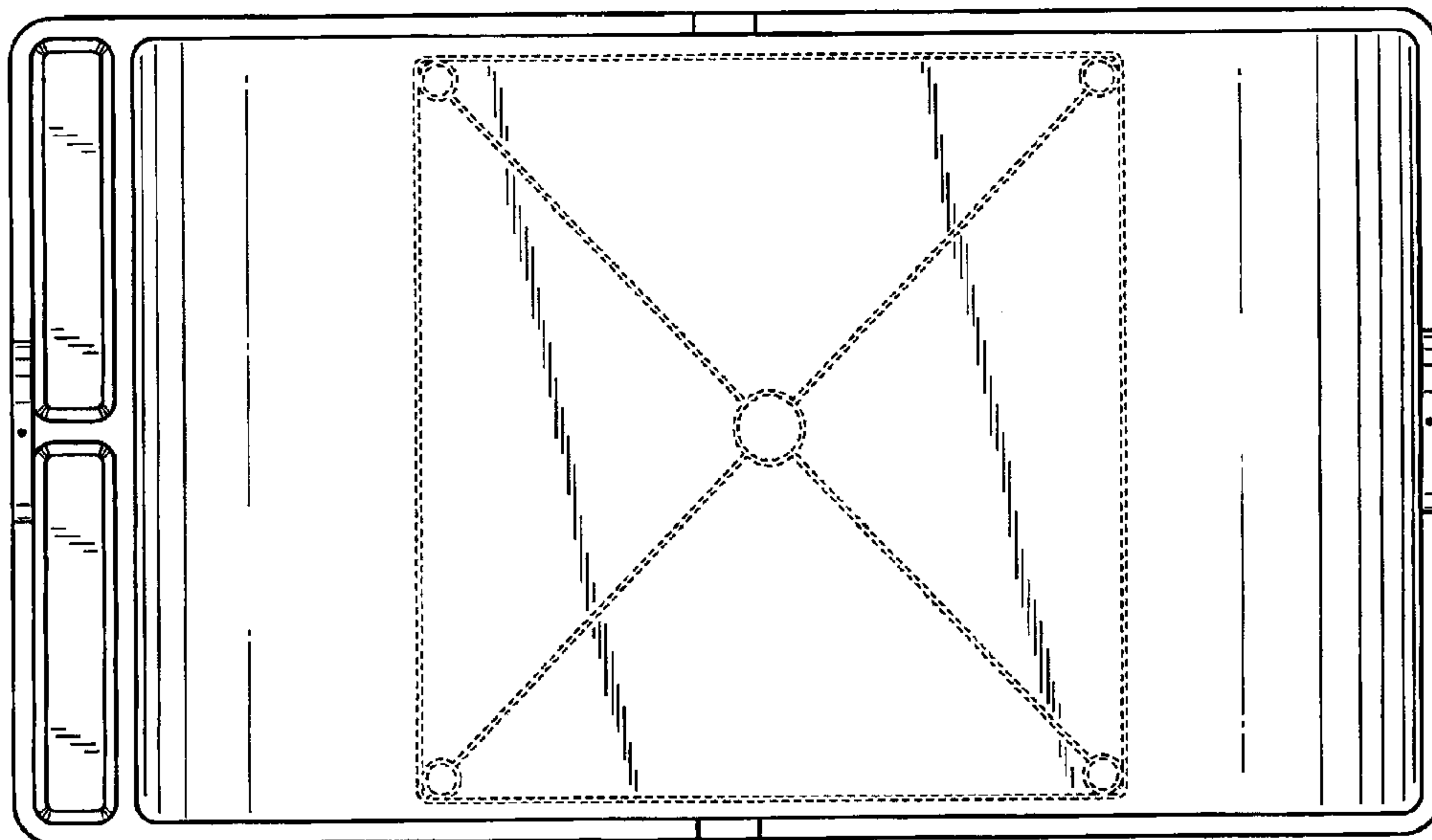


Fig. 7