



US00D636947S

(12) **United States Design Patent**
Rane

(10) **Patent No.:** **US D636,947 S**

(45) **Date of Patent:** **** Apr. 26, 2011**

(54) **ANIMAL TRAINING DEVICE**

(76) **Inventor:** **Peter C. Rane**, Southbury, CT (US)

(**) **Term:** **14 Years**

(21) **Appl. No.:** **29/359,296**

(22) **Filed:** **Apr. 8, 2010**

(51) **LOC (9) Cl.** **30-04**

(52) **U.S. Cl.** **D30/153**

(58) **Field of Classification Search** D30/151–154;
119/792–799, 758, 760, 769, 770, 712, 784,
119/802, 856, 857, 863, 865, 719, 859, 908,
119/776; D24/199; 182/3; 248/690; 24/594.11,
24/DIG. 35, 3.2, 600.7, 905; 54/71, 34; 267/113,
267/136, 34, 70, 72, 71; 16/66; 340/573.3,
340/668; 294/82.34, 19.1; 114/221 R; 441/75;
128/878, 882, DIG. 15; D29/120.1–120.2
See application file for complete search history.

(56) **References Cited**

U.S. PATENT DOCUMENTS

236,091	A *	12/1880	Rodger	119/787
1,924,596	A *	8/1933	Davis	119/798
2,023,950	A *	12/1935	Carter	119/792
2,275,701	A	3/1942	Taylor	
2,322,897	A	6/1943	Van Der Bogaerde, Jr.	
2,337,970	A *	12/1943	Cassell	119/799
2,593,940	A *	4/1952	Van Meter	119/799
2,737,154	A *	3/1956	Michonski	119/798
2,784,698	A *	3/1957	Dieppa	119/799
2,833,249	A *	5/1958	Cornman	119/799
4,214,382	A *	7/1980	Matsutani	434/247
4,522,153	A	6/1985	Vander Horst	
D303,855	S *	10/1989	Moss	D32/14
D347,498	S *	5/1994	Cannon	D32/14
D387,254	S *	12/1997	Klamm	D8/14

5,775,970	A *	7/1998	Klees et al.	446/297
5,813,368	A	9/1998	Rasmussen	
5,850,807	A *	12/1998	Keeler	119/799
D403,932	S *	1/1999	Klamm	D8/14
5,873,328	A	2/1999	Campbell	
6,053,129	A	4/2000	Akre	
6,827,045	B1	12/2004	Willner et al.	
7,367,287	B1	5/2008	Jones, Jr.	
D571,059	S *	6/2008	Napolitano	D30/153

* cited by examiner

Primary Examiner — Susan Moon Lee

(74) *Attorney, Agent, or Firm* — Geoffrey E. Dobbin

(57) **CLAIM**

The ornamental design for an animal training device, as shown and described.

DESCRIPTION

FIG. 1 is a top view of an animal training device, shown in use, attached to a leash.

FIG. 2 is a perspective view of the animal training device.

FIG. 3 is a top plan view of the animal training device, the bottom plan view being a mirror image thereof.

FIG. 4 is a front elevation of the animal training device.

FIG. 5 is a rear elevation of the animal training device.

FIG. 6 is a left elevation of the animal training device.

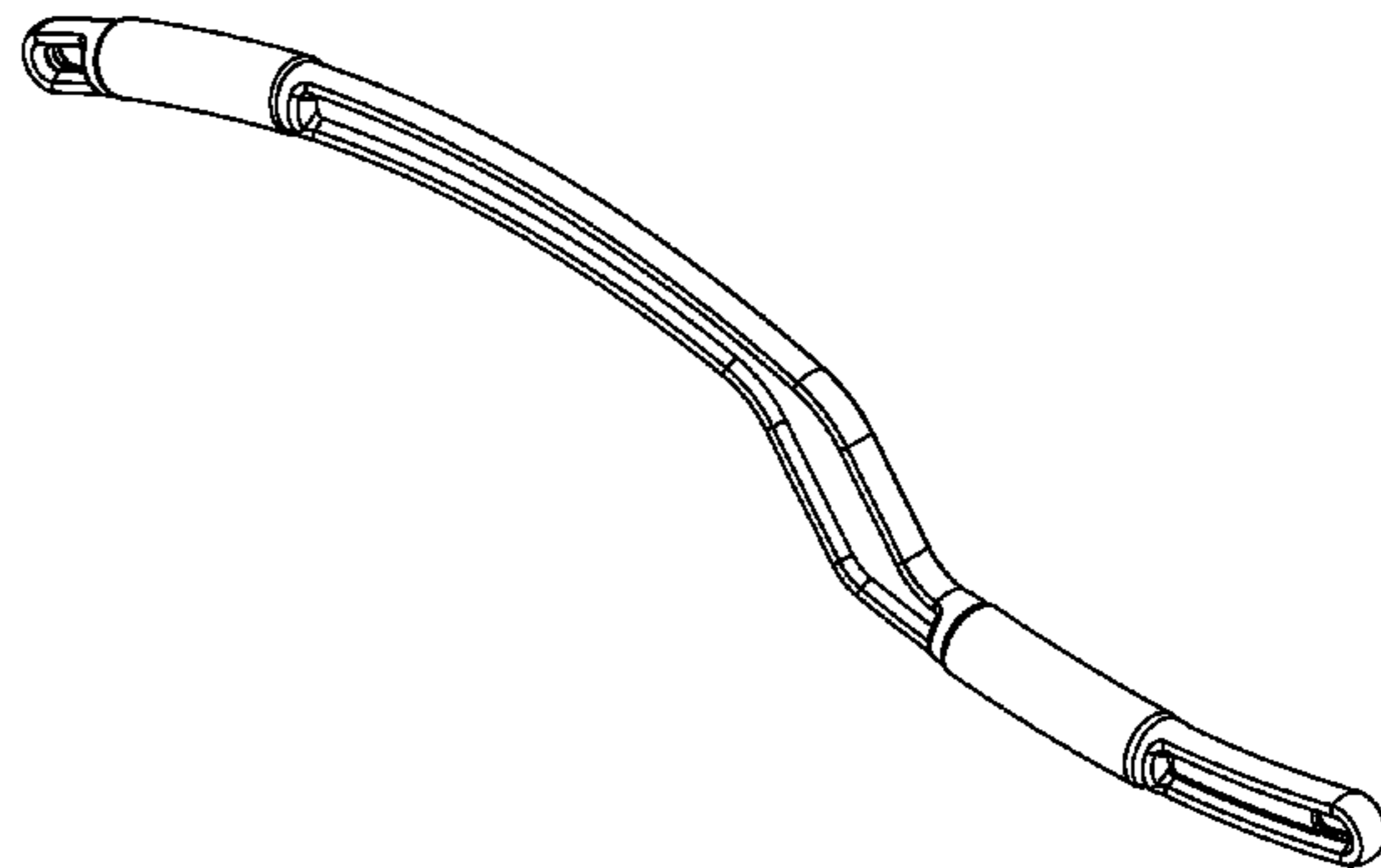
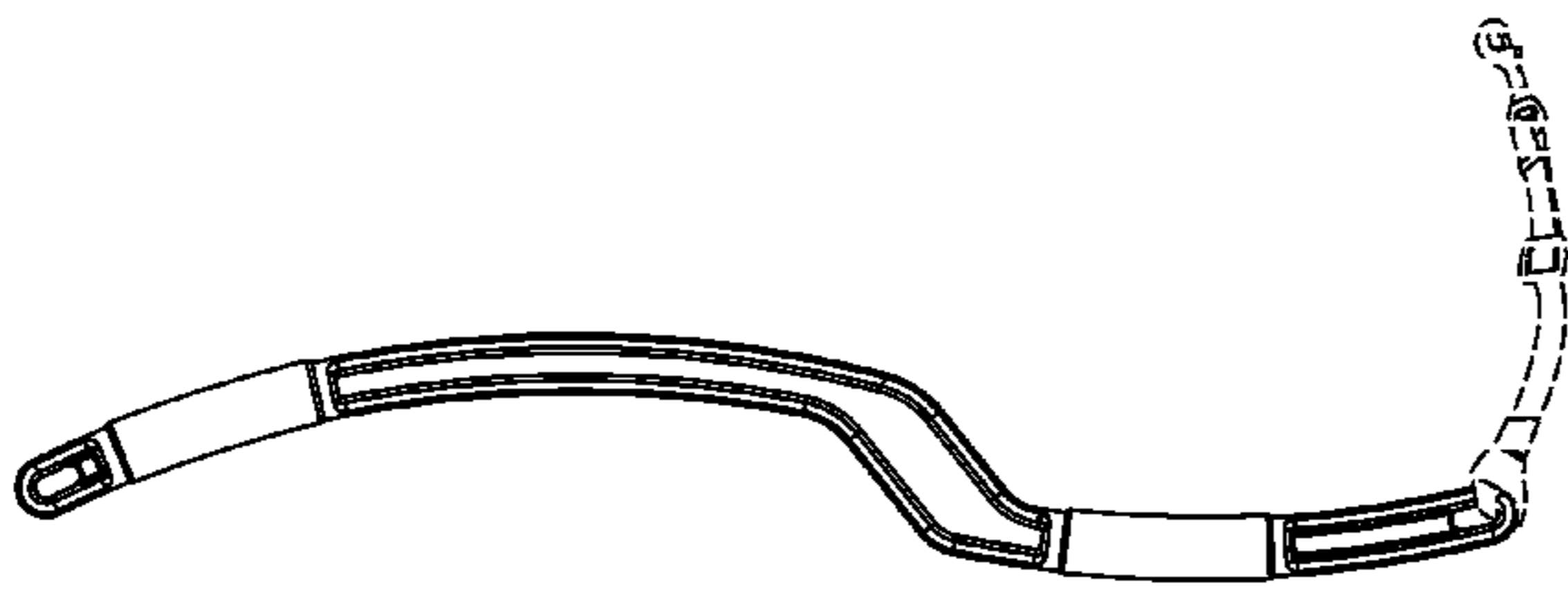
FIG. 7 is a right elevation of the animal training device.

FIG. 8 is a second perspective view of the animal training device; and,

FIG. 9 is a sectional view of the animal training device, taken along line 9—9 of FIG. 5.

The broken lines in FIG. 1 depict an attachable leash and are illustrative of environment and are not intended to form a part of the claimed design.

1 Claim, 3 Drawing Sheets



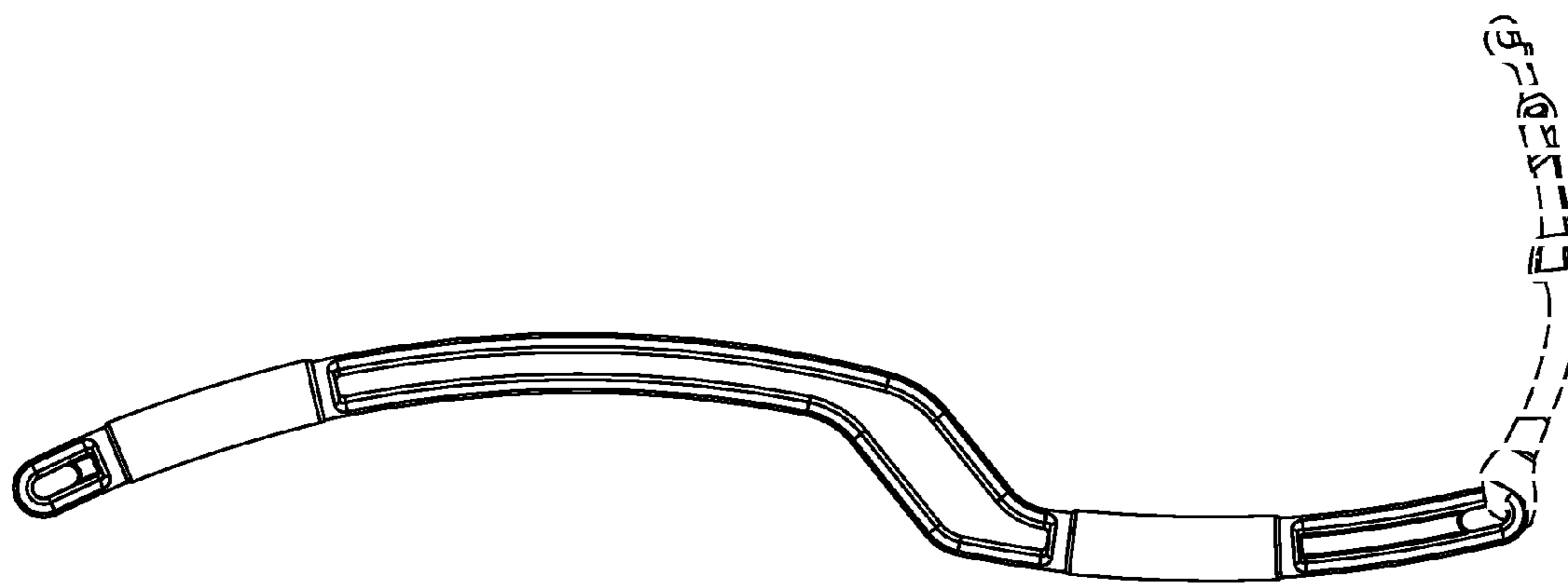


FIG. 1

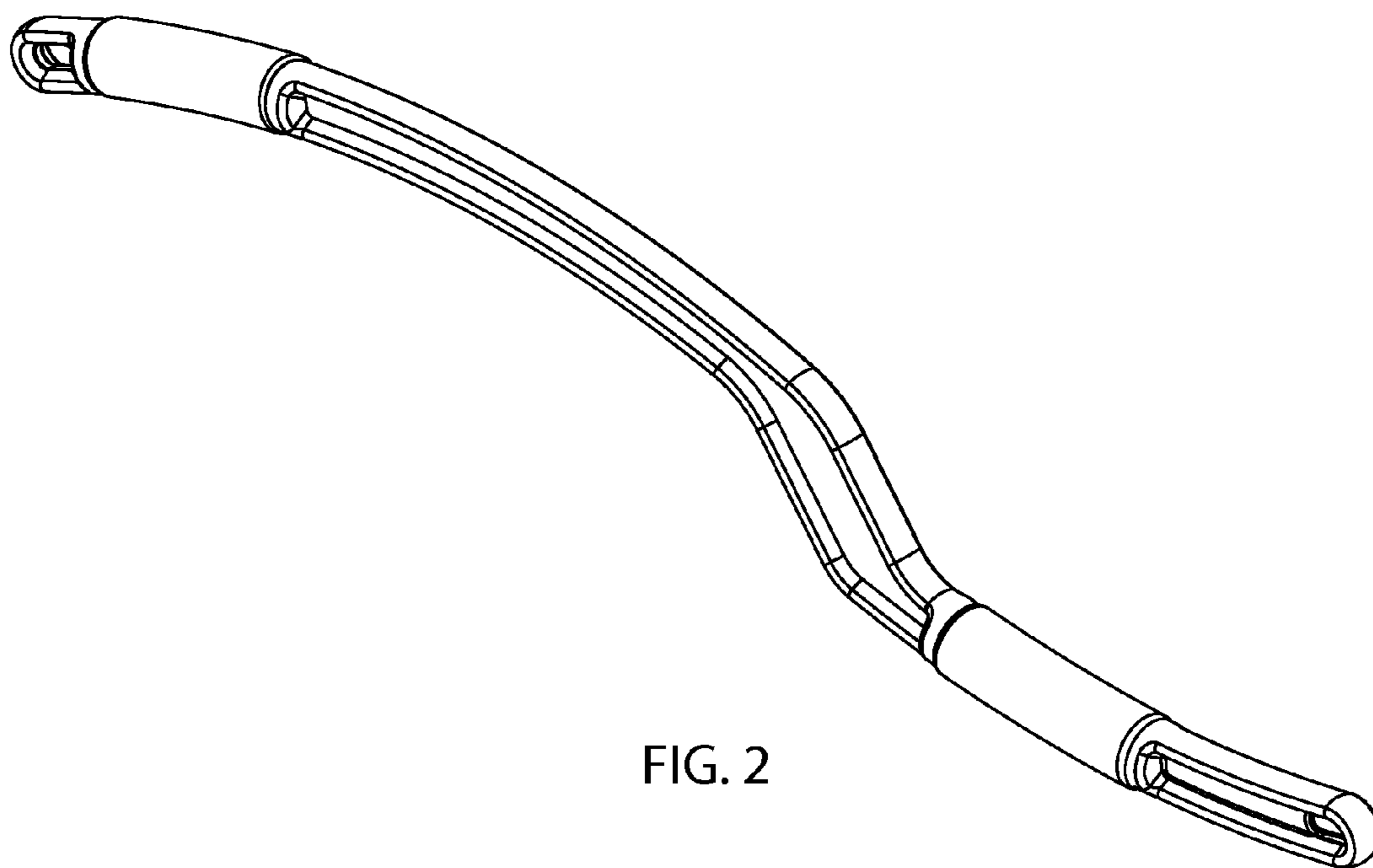


FIG. 2

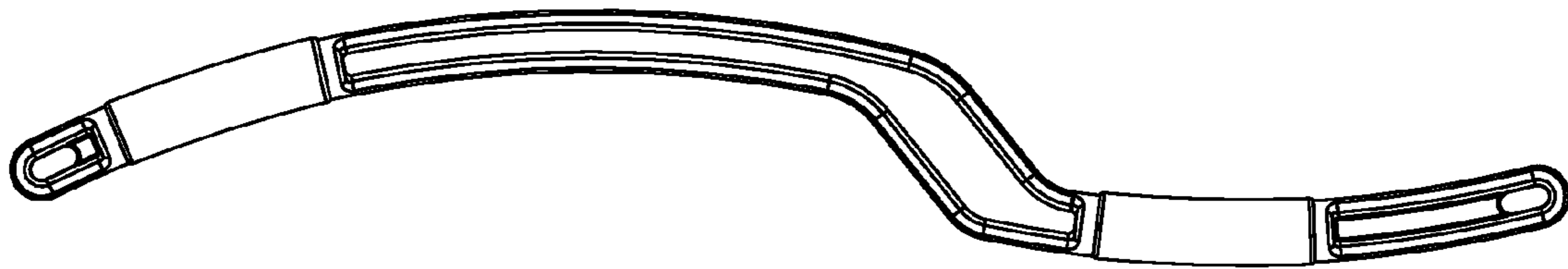


FIG. 3

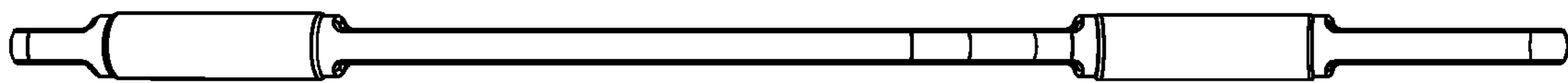


FIG. 4

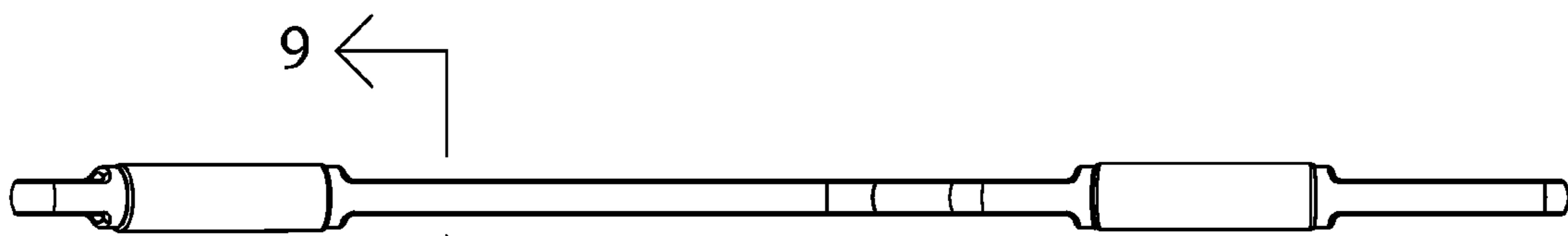


FIG. 5



FIG. 6

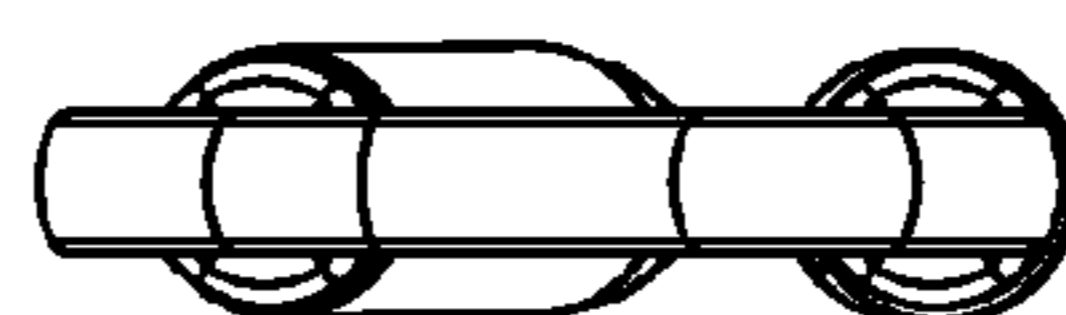


FIG. 7

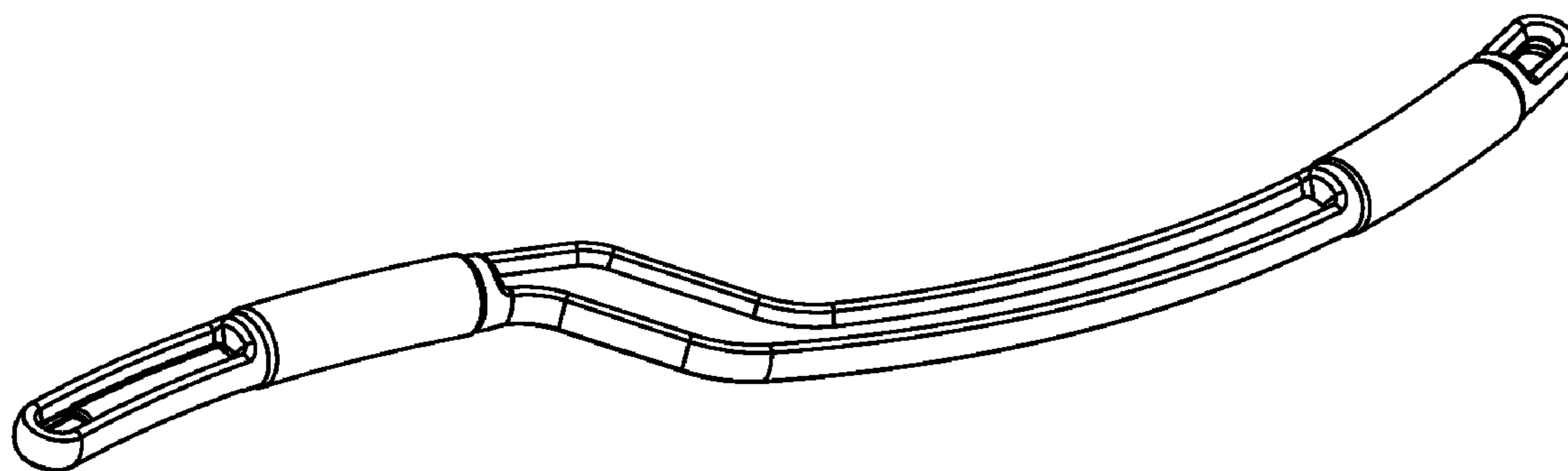


FIG. 8

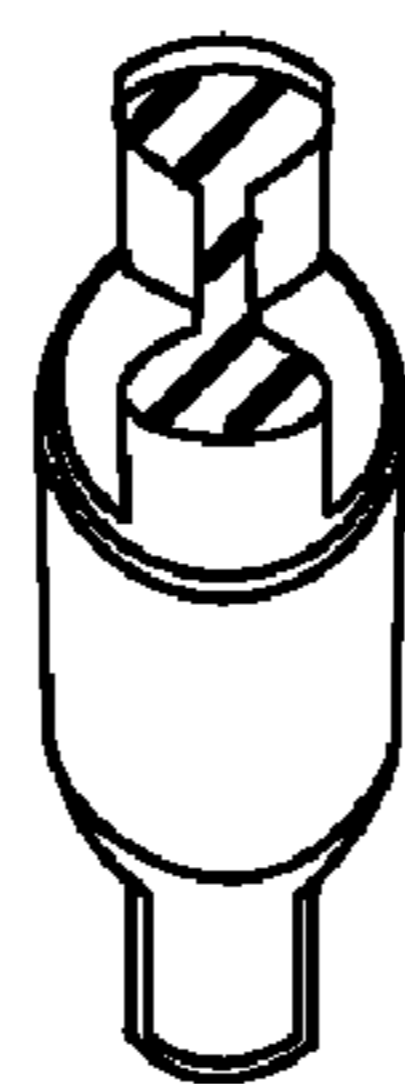


FIG. 9