



US00D636946S

(12) **United States Design Patent**  
**Able**

(10) **Patent No.:** **US D636,946 S**

(45) **Date of Patent:** **\*\* Apr. 26, 2011**

(54) **PET BOWL**

(75) Inventor: **Rich Able**, Tacoma, WA (US)

(73) Assignee: **Azimuth Strategies, Inc.**, Reno, NV (US)

(\*\*) Term: **14 Years**

(21) Appl. No.: **29/365,231**

(22) Filed: **Jul. 6, 2010**

(51) **LOC (9) Cl.** ..... **30-03**

(52) **U.S. Cl.** ..... **D30/129; D30/130**

(58) **Field of Classification Search** ..... D30/121, D30/122, 129-133; 119/61.5, 51.01, 61.56, 119/51.03, 59, 62, 63, 51.5, 57.8, 74, 61.54, 119/61.55; 312/204; 248/151, 188; 108/156, 108/153.1-157; 220/23.87, 630, 737, 743, 220/9.4, 495.01, 574, 212, 255, 23.83; 206/515; D7/586, 543, 550.1, 587, 505, 584, 545, 500, D7/553.1-553.8, 546, 555, 556, 504, 565, D7/562, 602; D9/429; 43/109; D22/122; 99/430, DIG. 15

See application file for complete search history.

(56) **References Cited**

**U.S. PATENT DOCUMENTS**

D3,221 S *	11/1868	Fry	.....	D7/562
D6,613 S *	4/1873	Atterbury	.....	D7/562
D6,805 S *	8/1873	Hobbs	.....	D7/562
D28,733 S *	5/1898	Davies	.....	D7/562
D30,267 S *	2/1899	Healy	.....	D7/562
D41,092 S *	1/1911	Steimer	.....	D7/562
D41,413 S *	5/1911	Anderson	.....	D7/562
D45,188 S *	2/1914	Feeney	.....	D7/562
D52,816 S *	12/1918	Beiswanger	.....	D7/545
D69,040 S *	12/1925	Loomis	.....	D7/562
2,121,165 A *	6/1938	Slobodkin	.....	220/574
D117,734 S *	11/1939	Hobson	.....	D7/359

2,781,651 A *	2/1957	Cutler	.....	248/346.11
D187,604 S *	4/1960	Dreitzen	.....	D7/562
D190,668 S *	6/1961	Bliss	.....	D7/557
D196,315 S *	9/1963	Corey	.....	D7/549
D201,192 S *	5/1965	Neil	.....	D7/562
D201,194 S *	5/1965	Nell	.....	D7/562
D214,130 S *	5/1969	Appel	.....	D7/565
D230,001 S *	1/1974	Wright	.....	D7/553.6
D240,885 S *	8/1976	Benes	.....	D7/562
D248,076 S *	6/1978	Christian	.....	D7/545
D248,526 S *	7/1978	Benes	.....	D7/555
D249,967 S *	10/1978	Benes	.....	D27/133
D269,586 S *	7/1983	Allgeyer et al.	.....	D7/359

(Continued)

**OTHER PUBLICATIONS**

Web pages of dog bowls from All Pet Furniture.com, 18 pp., downloaded from www.allpetfurniture.com on Jun. 10, 2010.

(Continued)

*Primary Examiner* — Susan M Lee

(74) *Attorney, Agent, or Firm* — Klarquist Sparkman, LLP

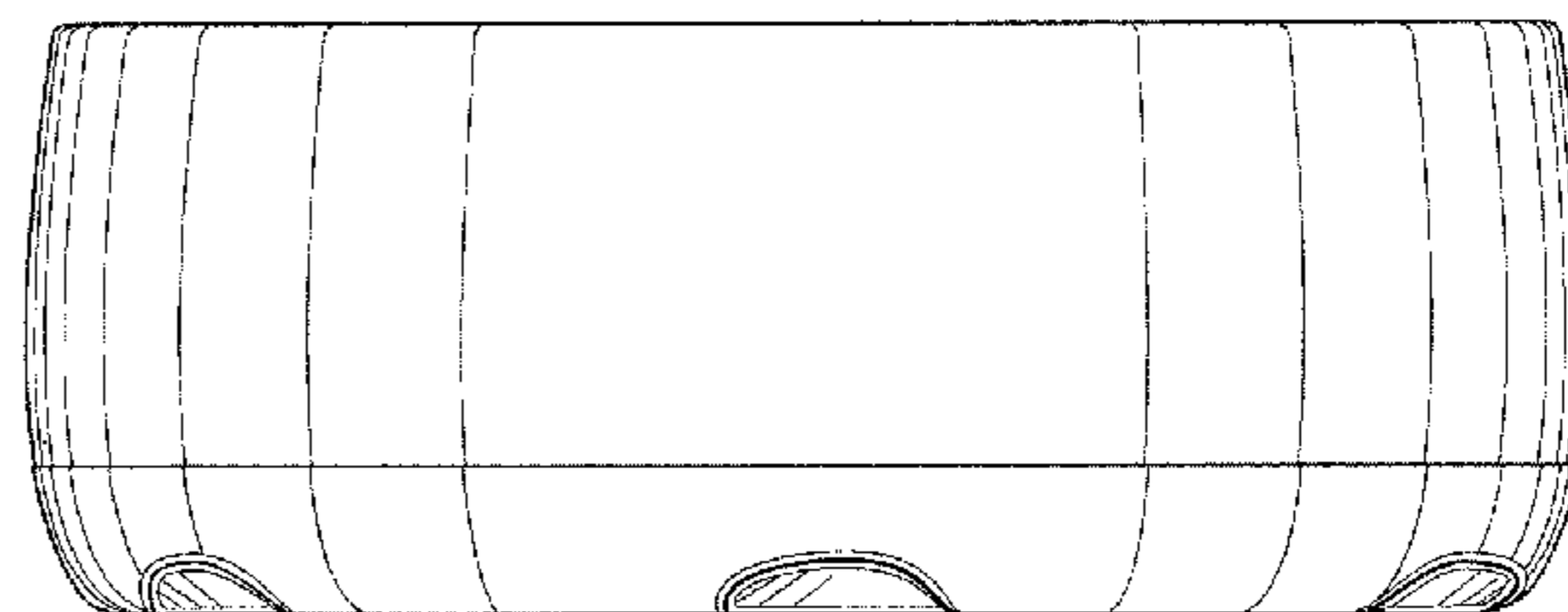
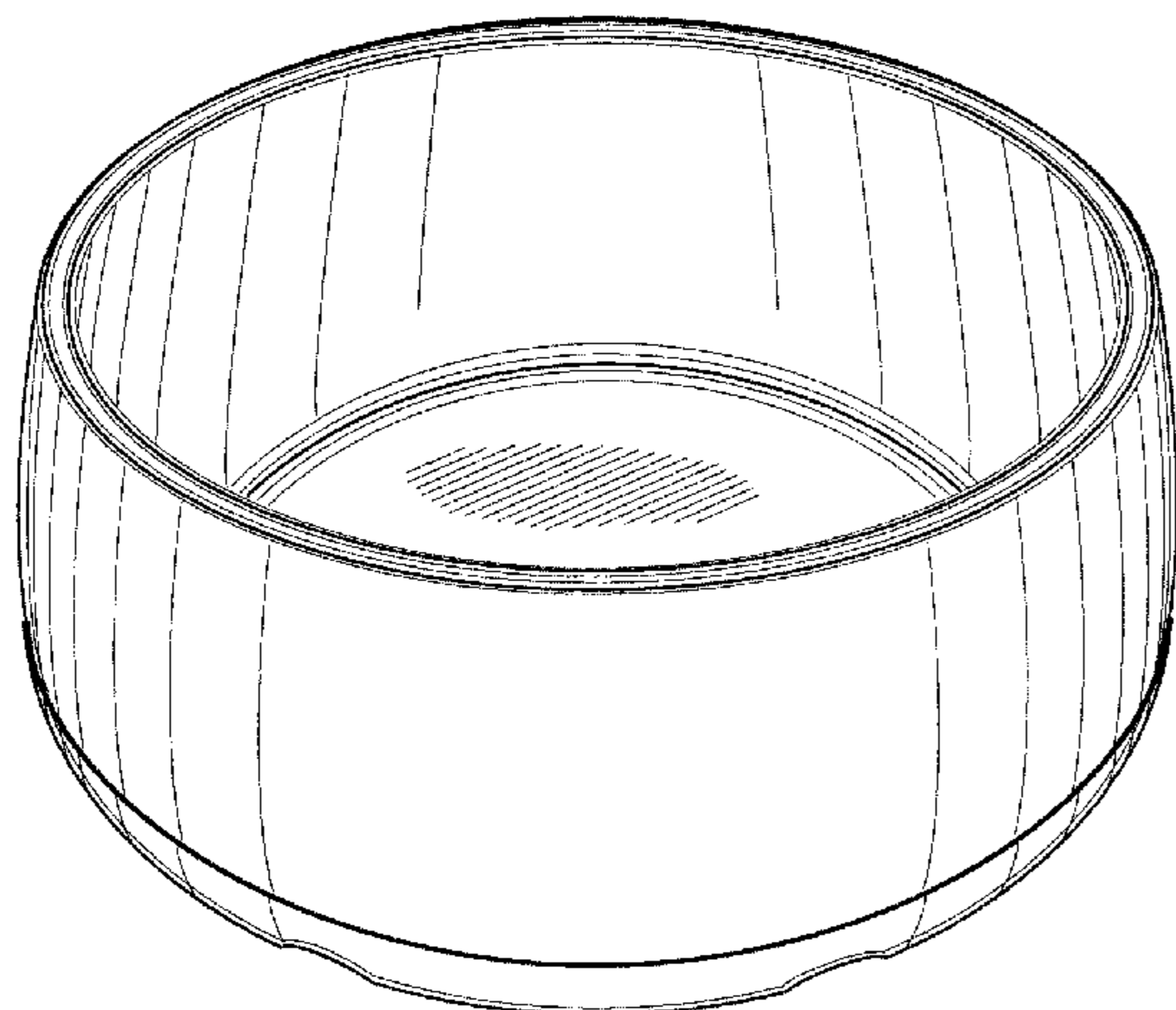
(57) **CLAIM**

The ornamental design for a pet bowl, as shown and described.

**DESCRIPTION**

FIG. 1 is a perspective view of the new design for a pet bowl. FIG. 2 is a top plan view of the new design of FIG. 1. FIG. 3 is a front elevational view of the new design of FIG. 1. FIG. 4 is a bottom plan view of the new design of FIG. 1; and, FIG. 5 is a back elevational view of the new design of FIG. 1. In the figures, the thinner solid lines appearing within the boundaries of the pet bowl are shading lines used to indicate the bowl's contoured surfaces. The broken lines in the figures are shown for purposes of illustrating environmental structure and form no part of the claimed design.

**1 Claim, 2 Drawing Sheets**



# US D636,946 S

Page 2

## U.S. PATENT DOCUMENTS

D270,416 S \* 9/1983 Thrush ..... D7/557  
D289,248 S \* 4/1987 Joaquin ..... D7/354  
4,784,086 A \* 11/1988 Hand et al. .... 119/61.53  
4,827,874 A \* 5/1989 Mahan ..... 119/61.53  
D307,231 S \* 4/1990 Ciaccio ..... D7/354  
5,031,575 A \* 7/1991 Phillips ..... 119/61.53  
D341,057 S \* 11/1993 Lundberg et al. .... D7/359  
D373,284 S \* 9/1996 Hirst ..... D7/354  
D382,766 S \* 8/1997 Hamada et al. .... D7/354  
D412,226 S \* 7/1999 Bellehumeur ..... D30/130  
D420,854 S \* 2/2000 Michaeli ..... D7/553.6  
D426,104 S \* 6/2000 Bradley ..... D7/359  
D454,990 S \* 3/2002 Lorenzana ..... D30/129  
D460,019 S \* 7/2002 Thimm ..... D11/148  
D465,884 S \* 11/2002 Ross ..... D30/129  
D469,311 S \* 1/2003 Stone et al. .... D7/553.6  
D491,696 S \* 6/2004 Cole et al. .... D30/129  
D493,664 S \* 8/2004 Siegel et al. .... D7/354

D507,148 S \* 7/2005 Spagnolo ..... D7/360  
D514,750 S \* 2/2006 Matula ..... D30/129  
D546,127 S \* 7/2007 Vovan ..... D7/552.2  
D589,789 S \* 4/2009 Follansbee et al. .... D9/425  
D594,285 S \* 6/2009 Merey ..... D7/610  
D629,641 S \* 12/2010 Kuan ..... D7/354

## OTHER PUBLICATIONS

Web pages of dog bowls and treat jars from Calling All Dogs Dog, 4 pp., downloaded from [www.callingalldogs.com](http://www.callingalldogs.com) on Jun. 10, 2010.

Web pages of dog bowls, feeders, & waterers from Petco, 5 pp., downloaded from [www.petco.com](http://www.petco.com) on Jun. 10, 2010.

Web pages of dog bowls from PetSmart, 6 pp., downloaded from [www.petsmart.com](http://www.petsmart.com) on Jun. 10, 2010.

Web pages of dog bowls from The Pampered Pup, 9 pp, downloaded from [www.thepamperedpup.com](http://www.thepamperedpup.com) on Jun. 10, 2010.

\* cited by examiner

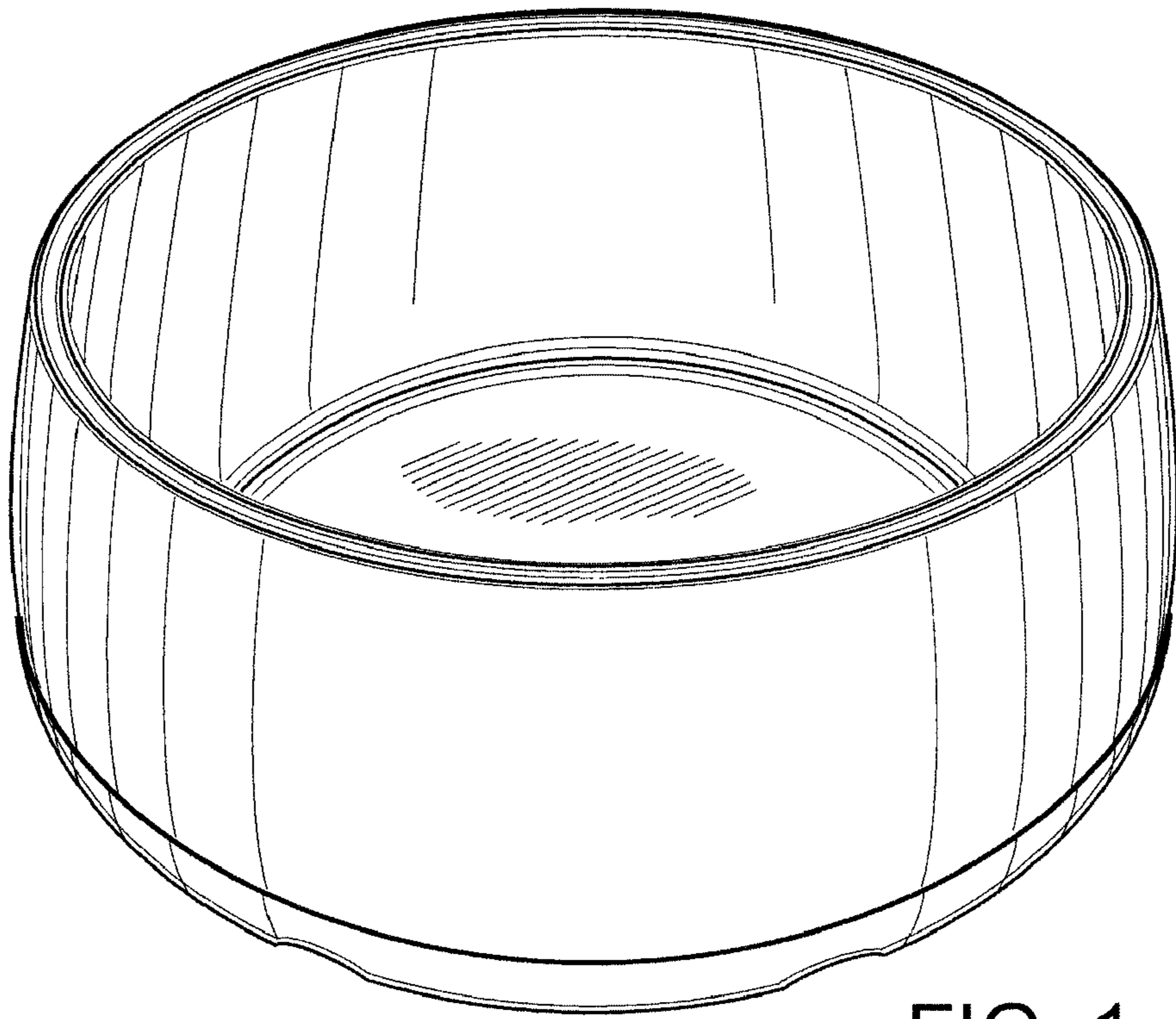


FIG. 1

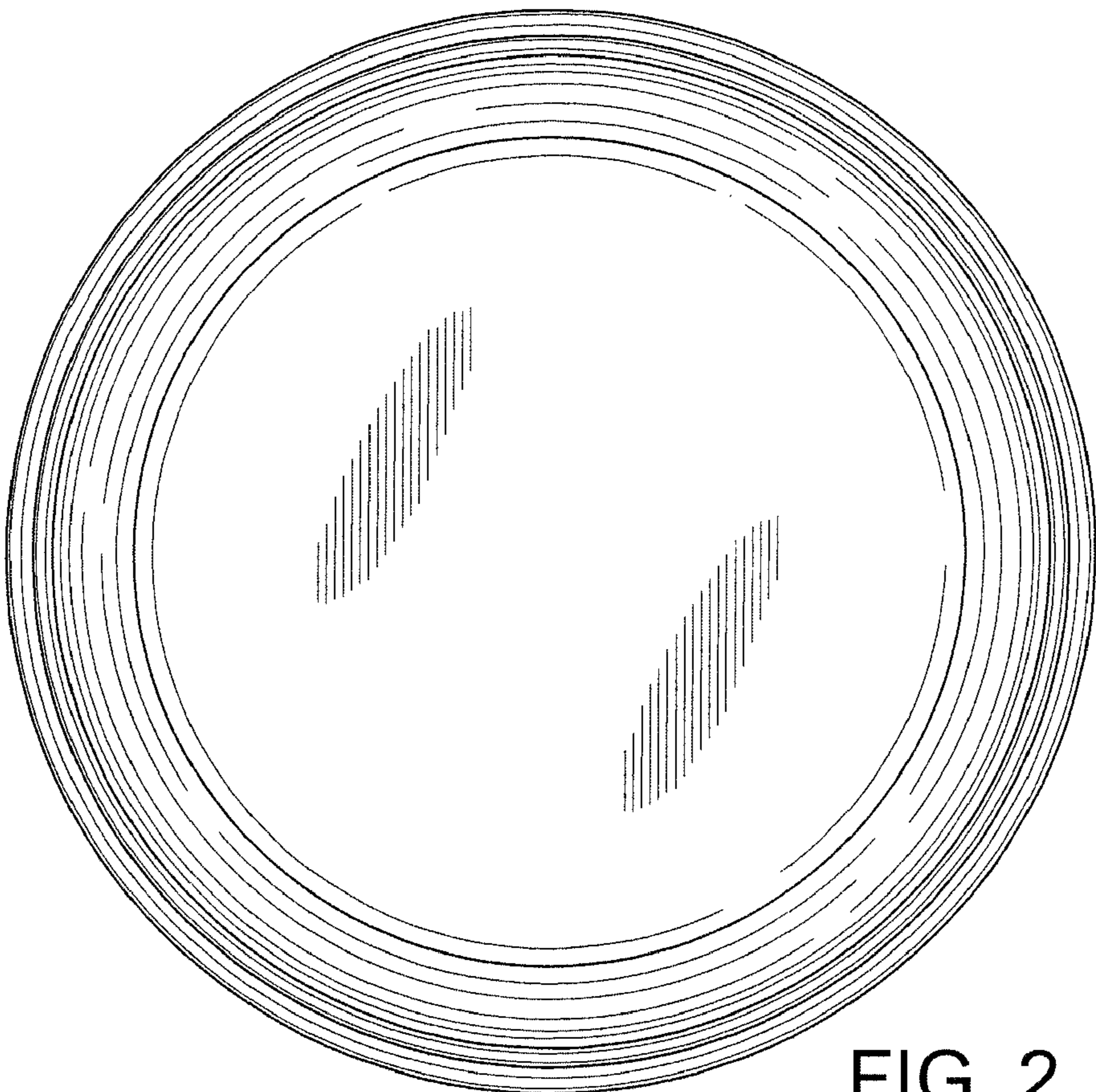


FIG. 2

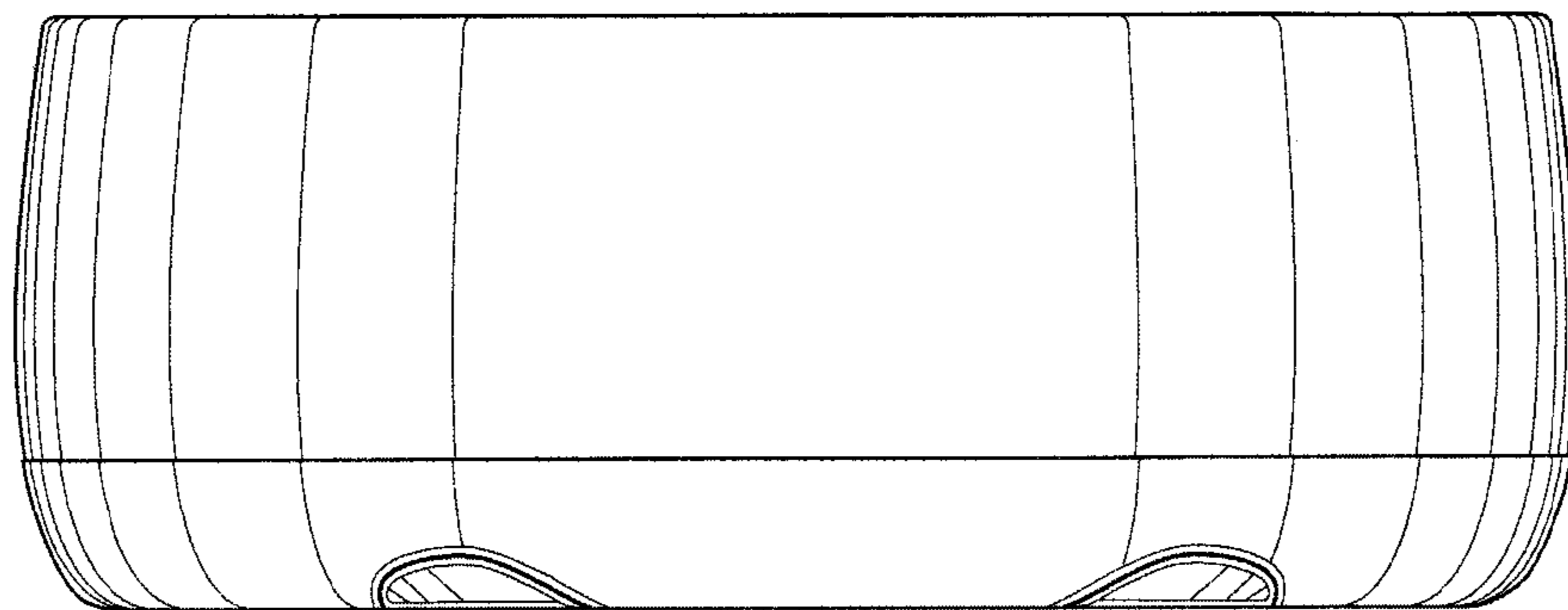


FIG. 3

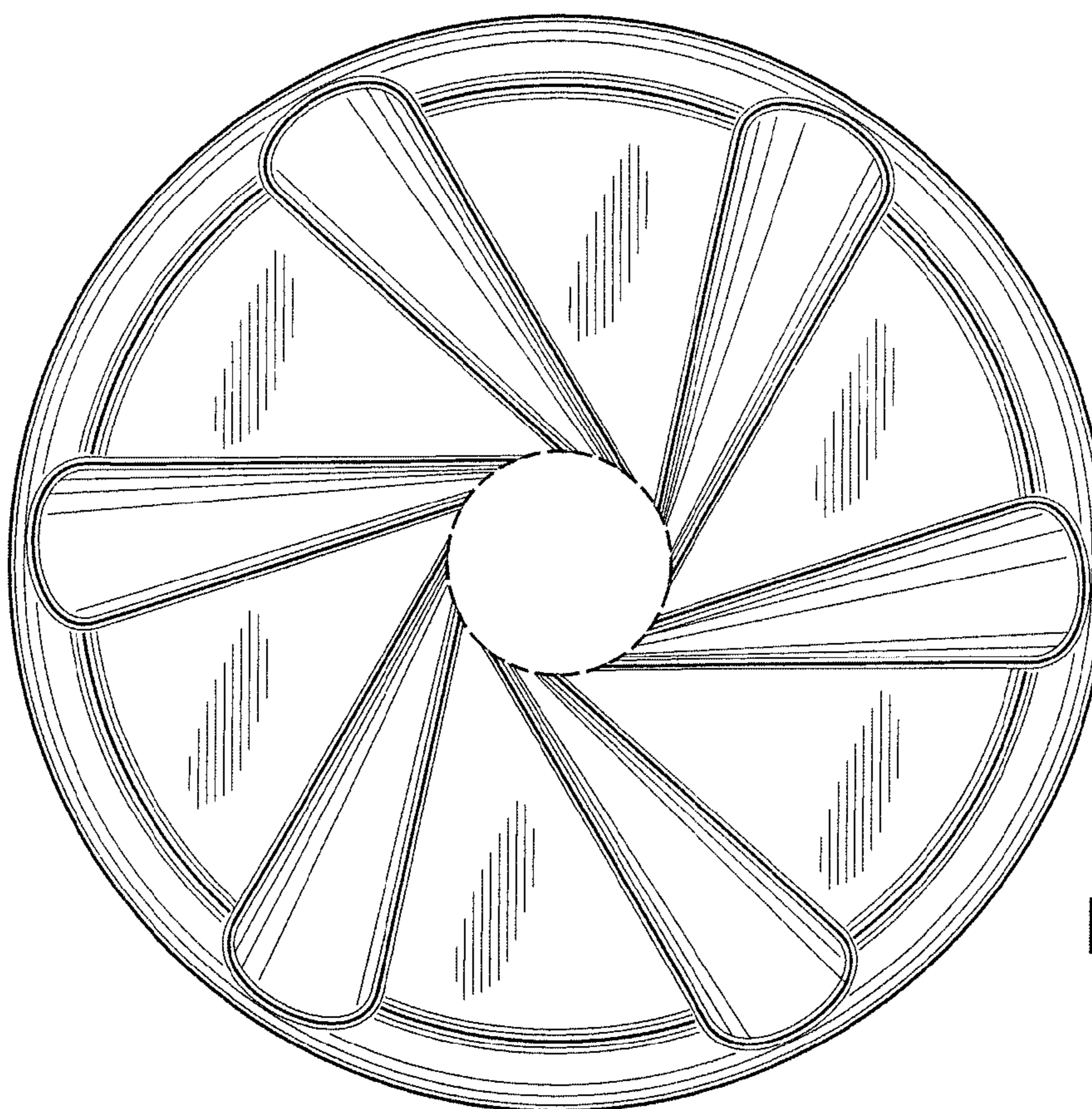


FIG. 4



FIG. 5