



US00D636945S

(12) **United States Design Patent**  
**Anderson et al.**

(10) **Patent No.:** **US D636,945 S**  
(45) **Date of Patent:** **\*\* Apr. 26, 2011**

- (54) **PET BOWL**
- (75) Inventors: **Norman Anderson**, Brooklyn, NY (US);  
**Ryan Rutherford**, Belleville, NJ (US)
- (73) Assignee: **J. W. Pet Company, Inc.**, Teterboro, NJ (US)
- (\*\*) Term: **14 Years**
- (21) Appl. No.: **29/360,767**
- (22) Filed: **Apr. 30, 2010**

|               |         |                  |         |
|---------------|---------|------------------|---------|
| 2,053,949 A   | 9/1936  | Emery            |         |
| D105,450 S    | 7/1937  | Clifton          |         |
| 2,178,812 A * | 11/1939 | Schade           | 40/324  |
| 2,213,837 A   | 9/1940  | Gill             |         |
| 2,259,682 A   | 10/1941 | Collins          |         |
| D157,803 S    | 3/1950  | Ulmer            |         |
| D158,159 S *  | 4/1950  | Verlod           | D27/115 |
| 2,554,086 A   | 5/1951  | Block            |         |
| 2,584,301 A   | 2/1952  | Sinclair         |         |
| D166,410 S    | 4/1952  | Press            |         |
| D167,555 S    | 8/1952  | Bisharat         |         |
| 2,677,350 A   | 5/1954  | Prestidge et al. |         |
| D180,676 S    | 7/1957  | Thorpe           |         |
| 2,813,509 A   | 11/1957 | Bruno            |         |
| 2,905,351 A   | 9/1959  | Lerner           |         |
| D186,415 S    | 10/1959 | Ikeda            |         |

(Continued)

**Related U.S. Application Data**

- (62) Division of application No. 29/354,995, filed on Feb. 1, 2010, now Pat. No. Des. 626,705.
- (51) **LOC (9) Cl.** ..... **30-03**
- (52) **U.S. Cl.** ..... **D30/129**
- (58) **Field of Classification Search** ..... D30/121, D30/122, 129-133; 119/61.5, 51.01, 61.56, 119/51.03, 59, 62, 63, 51.5, 57.8, 74, 61.54, 119/61.55; 312/204; 248/151, 188; 108/153.1-157; 220/23.87, 630, 737, 743, 9.4, 495.01, 574, 220/212, 255, 23.83; 206/515; D7/586, D7/543, 550.1, 587, 505, 584, 545, 500, 553.1-553.8, D7/546, 555, 556, 504, 565, 562, 602; D9/429; 43/109; D22/122; 99/430, DIG. 15  
See application file for complete search history.

**OTHER PUBLICATIONS**

Petstages Healthy Portion Dog Bowl, 2005.

(Continued)

*Primary Examiner* — Susan Moon Lee

(74) *Attorney, Agent, or Firm* — Katten Muchin Rosenman LLP

(57) **CLAIM**

The ornamental design for a pet bowl, as shown and described.

**DESCRIPTION**

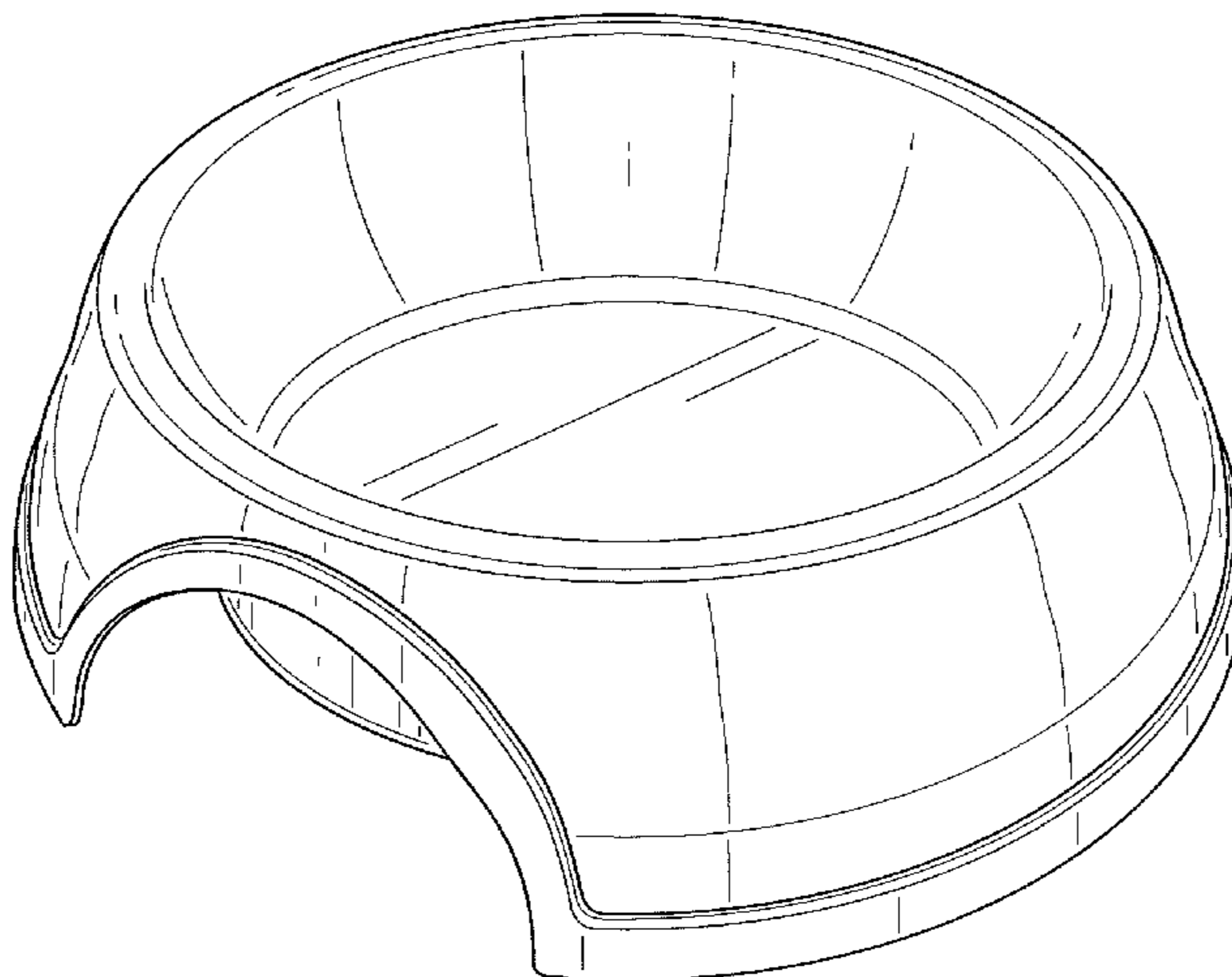
FIG. 1 is a perspective view of a pet bowl;  
 FIG. 2 is a front view thereof;  
 FIG. 3 is a rear view thereof;  
 FIG. 4 is a left side view thereof;  
 FIG. 5 is a right side view thereof;  
 FIG. 6 is a top view thereof; and,  
 FIG. 7 is a bottom view thereof.  
 The portions of the design that is shown in broken lines do not form part of the claimed design.

**1 Claim, 5 Drawing Sheets**

(56) **References Cited**

**U.S. PATENT DOCUMENTS**

|             |         |           |
|-------------|---------|-----------|
| 75,673 A    | 3/1868  | Gibson    |
| D20,134 S   | 9/1890  | Alden     |
| 472,316 A   | 4/1892  | Smith     |
| 495,872 A   | 4/1893  | Ball      |
| 603,492 A   | 5/1898  | Waterer   |
| D56,761 S   | 12/1920 | Miller    |
| 1,600,055 A | 9/1926  | Meyer     |
| 1,831,593 A | 11/1931 | Garvey    |
| 1,891,077 A | 12/1932 | Beach     |
| D89,262 S   | 2/1933  | Nunimaker |



# US D636,945 S

| U.S. PATENT DOCUMENTS |         |                           |               |         |                            |
|-----------------------|---------|---------------------------|---------------|---------|----------------------------|
| 2,928,372 A           | 3/1960  | Farley                    | D315,974 S    | 4/1991  | Steiner                    |
| 3,076,579 A           | 2/1963  | Kuhlman                   | 5,037,084 A   | 8/1991  | Flor                       |
| D194,784 S            | 3/1963  | Van Vorhis                | D325,684 S    | 4/1992  | Deare                      |
| D197,574 S            | 2/1964  | Gulotta                   | 5,105,769 A   | 4/1992  | Smith et al.               |
| 3,180,316 A           | 4/1965  | Chatfield et al.          | 5,125,184 A   | 6/1992  | Anderson                   |
| D201,670 S            | 7/1965  | Moore                     | 5,147,980 A   | 9/1992  | Ferguson                   |
| 3,195,510 A           | 7/1965  | Bernstein                 | 5,169,023 A   | 12/1992 | Heiberg et al.             |
| D209,677 S            | 12/1967 | Robert                    | 5,193,487 A   | 3/1993  | Vogel                      |
| 3,405,685 A           | 10/1968 | Harrell                   | 5,205,242 A   | 4/1993  | Kasselmann                 |
| 3,455,280 A           | 7/1969  | Keene                     | D340,552 S    | 10/1993 | Smith                      |
| 3,491,724 A           | 1/1970  | Sunner                    | 5,277,149 A   | 1/1994  | East                       |
| 3,498,268 A           | 3/1970  | Sleith et al.             | D344,370 S    | 2/1994  | Dryden et al.              |
| D217,360 S            | 4/1970  | Robert                    | 5,297,504 A * | 3/1994  | Carrico ..... 119/61.54    |
| 3,578,524 A           | 5/1971  | Ingell                    | 5,341,596 A   | 8/1994  | Kao                        |
| 3,622,036 A *         | 11/1971 | Bongaerts ..... 220/574   | 5,366,103 A   | 11/1994 | Abernathy et al.           |
| 3,651,787 A           | 3/1972  | Cooper                    | 5,392,948 A   | 2/1995  | McEntee                    |
| 3,653,362 A           | 4/1972  | Davis                     | D358,738 S    | 5/1995  | Brown et al.               |
| 3,664,304 A           | 5/1972  | Carter                    | 5,419,454 A   | 5/1995  | Stowell et al.             |
| 3,671,008 A           | 6/1972  | Villalba                  | 5,423,452 A   | 6/1995  | Tardif                     |
| 3,698,594 A           | 10/1972 | Boehlert                  | D364,998 S    | 12/1995 | Held                       |
| 3,722,476 A           | 3/1973  | Van Ness et al.           | 5,478,034 A   | 12/1995 | Cunningham et al.          |
| D227,139 S            | 6/1973  | Niven                     | 5,485,937 A   | 1/1996  | Tseng                      |
| 3,776,193 A           | 12/1973 | Post                      | 5,501,176 A   | 3/1996  | Tully                      |
| D230,034 S            | 1/1974  | Goldman et al.            | 5,509,376 A   | 4/1996  | Tsengas                    |
| 3,788,583 A           | 1/1974  | Byrd                      | D370,147 S    | 5/1996  | Petronio                   |
| 3,810,446 A           | 5/1974  | Kightlinger et al.        | 5,546,894 A   | 8/1996  | St. Pierre                 |
| 3,838,772 A           | 10/1974 | Lang et al.               | D373,449 S    | 9/1996  | Chen                       |
| D236,412 S            | 8/1975  | Koretz et al.             | D374,513 S    | 10/1996 | Melvin                     |
| D237,787 S            | 11/1975 | Weyrich, Jr.              | D374,517 S    | 10/1996 | Morrill                    |
| 3,958,504 A           | 5/1976  | Levin                     | 5,560,732 A   | 10/1996 | Kulp et al.                |
| 3,991,719 A           | 11/1976 | Bruce                     | 5,564,345 A   | 10/1996 | Crawford et al.            |
| 3,995,595 A           | 12/1976 | Williams                  | 5,564,363 A   | 10/1996 | Soffici                    |
| D244,216 S            | 5/1977  | Gerber                    | D375,819 S    | 11/1996 | Benson                     |
| D245,104 S            | 7/1977  | Gross                     | 5,570,655 A   | 11/1996 | Targa                      |
| 4,044,723 A           | 8/1977  | Fitzpatrick               | D377,244 S    | 1/1997  | Steininger                 |
| 4,085,706 A           | 4/1978  | Evans                     | 5,619,952 A   | 4/1997  | Walker                     |
| 4,089,498 A           | 5/1978  | Woodruff                  | 5,626,256 A   | 5/1997  | Onneweer                   |
| D248,076 S            | 6/1978  | Christian                 | 5,638,638 A   | 6/1997  | Moskowitz                  |
| 4,106,658 A           | 8/1978  | Brandon                   | D383,031 S    | 9/1997  | Cousins                    |
| 4,127,189 A           | 11/1978 | Shumrak et al.            | D385,068 S    | 10/1997 | Malcolm                    |
| 4,182,462 A *         | 1/1980  | Buff, Jr. .... 220/495.03 | 5,676,275 A   | 10/1997 | Khattar                    |
| 4,208,836 A           | 6/1980  | Kramer                    | 5,709,168 A   | 1/1998  | Walker                     |
| D257,494 S            | 11/1980 | Imhoff                    | D390,418 S    | 2/1998  | Jagger                     |
| D258,018 S            | 1/1981  | Venditto et al.           | D391,440 S    | 3/1998  | Cousins                    |
| 4,270,490 A           | 6/1981  | Kopp                      | D393,107 S    | 3/1998  | Tsengas                    |
| D261,465 S            | 10/1981 | Minchew                   | 5,724,914 A   | 3/1998  | Nemeth                     |
| 4,335,679 A           | 6/1982  | Carlin                    | 5,724,914 A   | 3/1998  | Nemeth                     |
| D267,221 S            | 12/1982 | Williams                  | 5,730,081 A   | 3/1998  | Tsengas                    |
| 4,363,354 A           | 12/1982 | Strickland                | 5,743,210 A   | 4/1998  | Lampe                      |
| D270,323 S            | 8/1983  | Powers                    | 5,775,255 A   | 7/1998  | Louviere                   |
| 4,428,325 A           | 1/1984  | Koch                      | 5,782,374 A   | 7/1998  | Walker                     |
| 4,436,056 A           | 3/1984  | MacLeod                   | 5,787,839 A   | 8/1998  | Magnant et al.             |
| D274,781 S            | 7/1984  | Baker et al.              | 5,794,564 A   | 8/1998  | Paro                       |
| D278,167 S            | 3/1985  | Kilham                    | 5,813,638 A   | 9/1998  | Morris                     |
| 4,532,891 A           | 8/1985  | Jones                     | D401,475 S    | 11/1998 | Ritchey                    |
| D283,496 S            | 4/1986  | Pisarkiewicz              | 5,857,427 A   | 1/1999  | Kelley                     |
| 4,603,851 A           | 8/1986  | Russell                   | D405,561 S    | 2/1999  | Willinger et al.           |
| D288,053 S            | 2/1987  | Maza et al.               | 5,881,670 A   | 3/1999  | Pelsor                     |
| 4,658,759 A           | 4/1987  | Brown                     | 5,904,264 A   | 5/1999  | Yamada et al.              |
| D289,807 S            | 5/1987  | Russell                   | D410,780 S    | 6/1999  | McGinty                    |
| 4,699,089 A           | 10/1987 | Teschke                   | D412,377 S    | 7/1999  | Sharon                     |
| D293,767 S            | 1/1988  | Powers                    | D412,605 S    | 8/1999  | Sharon                     |
| 4,721,063 A           | 1/1988  | Atchley                   | 5,938,162 A   | 8/1999  | Honjo                      |
| D296,020 S            | 5/1988  | McCarroll                 | D414,303 S    | 9/1999  | Sharon                     |
| 4,756,420 A           | 7/1988  | Deaton                    | 5,979,361 A   | 11/1999 | Willinger                  |
| 4,800,845 A           | 1/1989  | Budd                      | 6,032,824 A * | 3/2000  | Barrow ..... 220/621       |
| 4,803,954 A           | 2/1989  | Welch et al.              | D423,149 S *  | 4/2000  | Cooper et al. .... D30/129 |
| 4,832,200 A           | 5/1989  | Deaton et al.             | D423,733 S    | 4/2000  | Choi et al.                |
| D302,756 S            | 8/1989  | Trine                     | D424,757 S    | 5/2000  | Cooper et al.              |
| 4,886,016 A           | 12/1989 | Atchley                   | 6,065,428 A * | 5/2000  | Fronk ..... 119/61.53      |
| 4,905,629 A           | 3/1990  | Hand et al.               | 6,119,628 A   | 9/2000  | Lorenzana et al.           |
| 4,953,506 A           | 9/1990  | Sanders                   | 6,145,474 A   | 11/2000 | Lemkin                     |
| D313,486 S            | 1/1991  | Conner                    | 6,152,319 A   | 11/2000 | Kamachi et al.             |
| D313,487 S *          | 1/1991  | Conner ..... D30/129      | D439,707 S *  | 3/2001  | Hansen et al. .... D30/129 |
| D313,488 S            | 1/1991  | Conner                    | 6,209,487 B1  | 4/2001  | Quinlan et al.             |
| D313,489 S            | 1/1991  | Conner                    | D441,621 S    | 5/2001  | Levy                       |
| 4,981,108 A           | 1/1991  | Faeroe                    | 6,230,653 B1  | 5/2001  | Tobin                      |
| 4,986,433 A           | 1/1991  | Davis                     | D446,361 S *  | 8/2001  | Elliott ..... D30/129      |
|                       |         |                           | D446,362 S    | 8/2001  | Choi et al.                |
|                       |         |                           | 6,330,956 B1  | 12/2001 | Willinger                  |

# US D636,945 S

Page 3

|              |         |                  |       |                   |         |                   |       |           |
|--------------|---------|------------------|-------|-------------------|---------|-------------------|-------|-----------|
| 6,339,899 B1 | 1/2002  | Lehmann          |       | D576,448 S *      | 9/2008  | Harris            | ..... | D7/505    |
| D454,990 S * | 3/2002  | Lorenzana        | ..... | D580,109 S        | 11/2008 | Rutherford et al. |       |           |
| D458,419 S   | 6/2002  | Ross             |       | D581,604 S        | 11/2008 | Ragonetti et al.  |       |           |
| D459,841 S   | 7/2002  | Ross             |       | D590,109 S        | 4/2009  | Anderson et al.   |       |           |
| D465,884 S * | 11/2002 | Ross             | ..... | D593,364 S *      | 6/2009  | Harris            | ..... | D7/505    |
| D466,655 S * | 12/2002 | Zelinger         | ..... | D600,862 S *      | 9/2009  | Sin               | ..... | D30/129   |
| D467,125 S   | 12/2002 | Orr et al.       |       | D603,106 S        | 10/2009 | Ragonetti et al.  |       |           |
| 6,516,747 B1 | 2/2003  | Willinger        |       | 7,600,486 B2 *    | 10/2009 | Ellis             | ..... | 119/61.5  |
| D471,677 S * | 3/2003  | Northrop         | ..... | 7,849,817 B1 *    | 12/2010 | Warganich         | ..... | 119/77    |
| D472,021 S * | 3/2003  | Northrop         | ..... | 2002/0185073 A1   | 12/2002 | Fullerton et al.  |       |           |
| D477,171 S   | 7/2003  | Gabbour          |       | 2004/0231607 A1 * | 11/2004 | Hollinger         | ..... | 119/61.54 |
| D477,691 S   | 7/2003  | Crowley          |       | 2004/0244703 A1   | 12/2004 | Lehman            |       |           |
| D485,208 S   | 1/2004  | Fan              |       | 2005/0039689 A1   | 2/2005  | Mossmer           |       |           |
| D485,784 S   | 1/2004  | Fan              |       | 2005/0115508 A1   | 6/2005  | Little            |       |           |
| 6,705,249 B2 | 3/2004  | Quinlan et al.   |       | 2006/0005774 A1   | 1/2006  | Bornhofen         |       |           |
| D490,745 S   | 6/2004  | Fan              |       | 2006/0213447 A1   | 9/2006  | Kichen et al.     |       |           |
| D491,321 S * | 6/2004  | Wolf             | ..... | 2007/0089678 A1   | 4/2007  | Greenwood         |       |           |
| D491,322 S * | 6/2004  | Wolf             | ..... | 2008/0022937 A1 * | 1/2008  | Shirley et al.    | ..... | 119/72    |
| 6,786,177 B1 | 9/2004  | Lemkin           |       | 2009/0126641 A1 * | 5/2009  | Anderson et al.   | ..... | 119/61.5  |
| D502,294 S * | 2/2005  | Hung             | ..... | 2010/0012042 A1 * | 1/2010  | Lee               | ..... | 119/61.5  |
| D504,197 S * | 4/2005  | Huthmaker et al. | ..... | 2010/0077963 A1 * | 4/2010  | Lipscomb et al.   | ..... | 119/54    |
| D523,996 S * | 6/2006  | Fine             | ..... | 2010/0275852 A1 * | 11/2010 | Lipscomb et al.   | ..... | 119/61.5  |
| D529,838 S   | 10/2006 | Boling           |       |                   |         |                   |       |           |
| D531,081 S   | 10/2006 | Fan              |       |                   |         |                   |       |           |
| D551,400 S   | 9/2007  | Tsengas          |       |                   |         |                   |       |           |
| D563,607 S * | 3/2008  | Northrop et al.  | ..... |                   |         |                   |       |           |
| D563,608 S   | 3/2008  | Kitchen          |       |                   |         |                   |       |           |
| D564,710 S * | 3/2008  | Modi et al.      | ..... |                   |         |                   |       |           |
| D575,581 S * | 8/2008  | Harris           | ..... |                   |         |                   |       |           |

## OTHER PUBLICATIONS

Notice of Allowance and Notice of References Cited dated Jun. 30, 2008, from corresponding U.S. Appl. No. 29/283,371.

\* cited by examiner

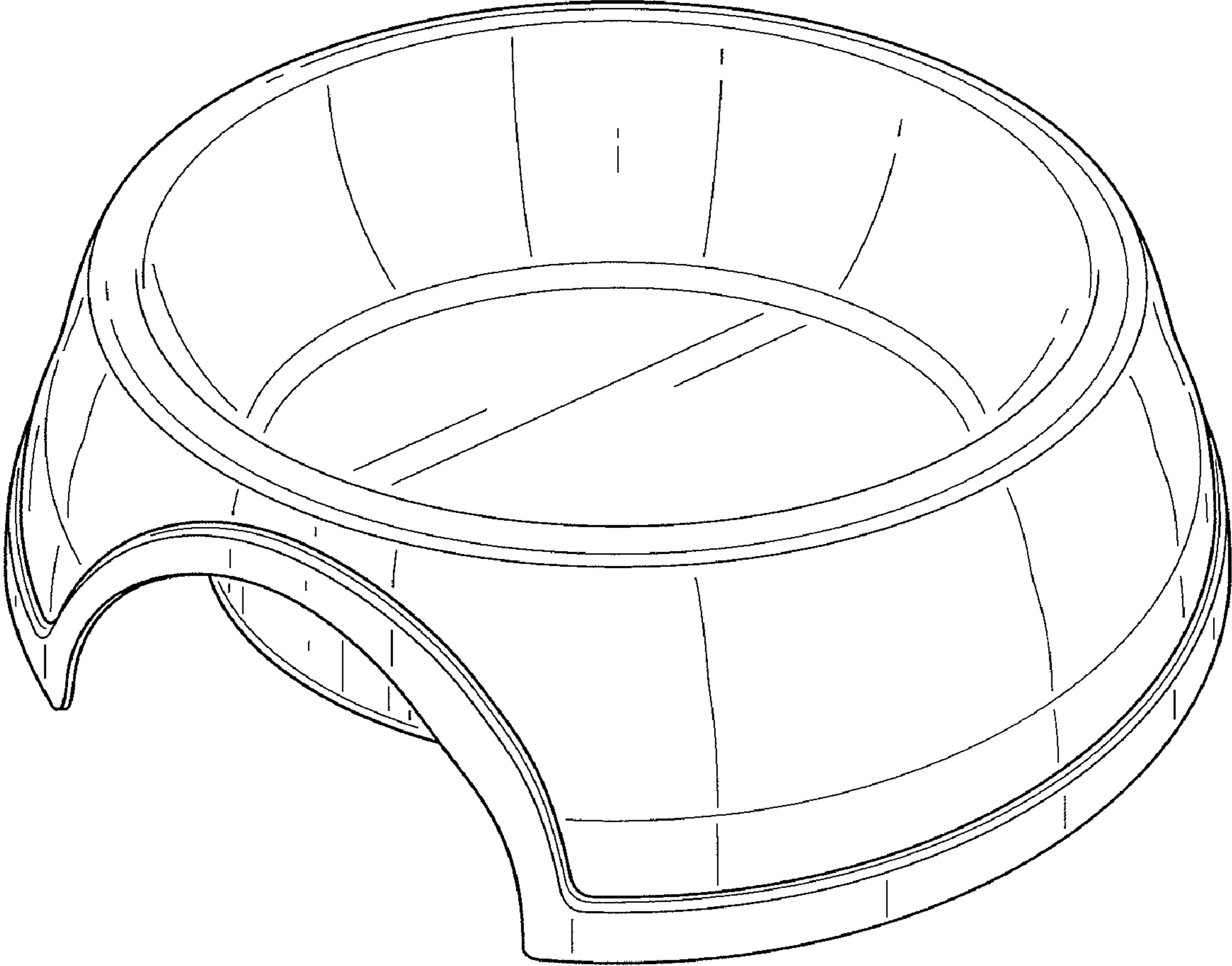


FIG. 1

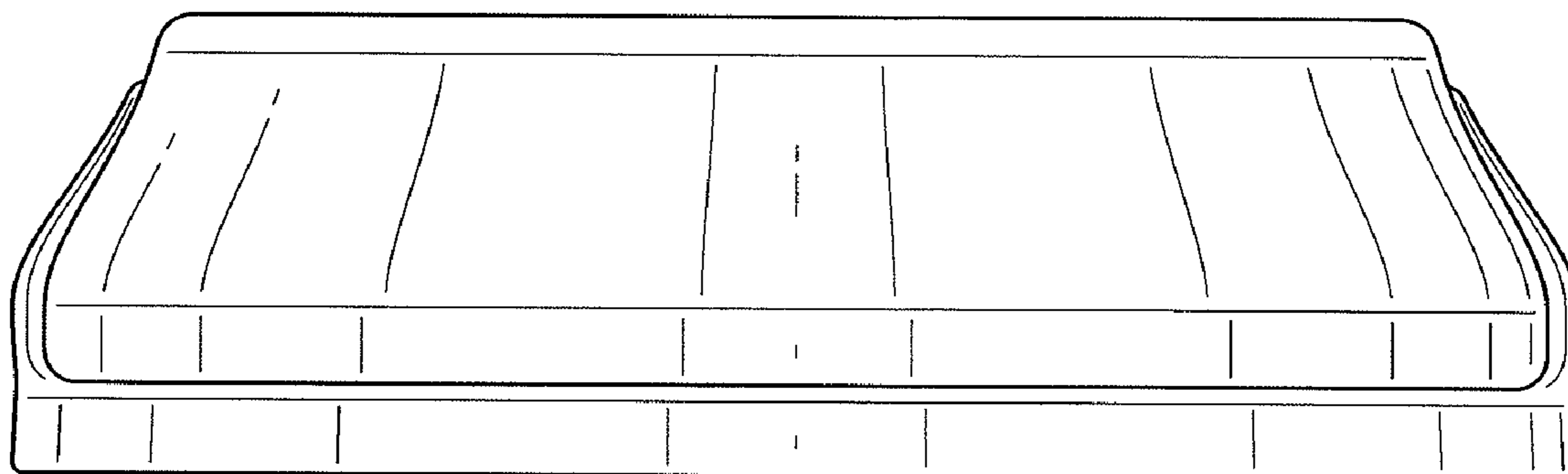


FIG. 2

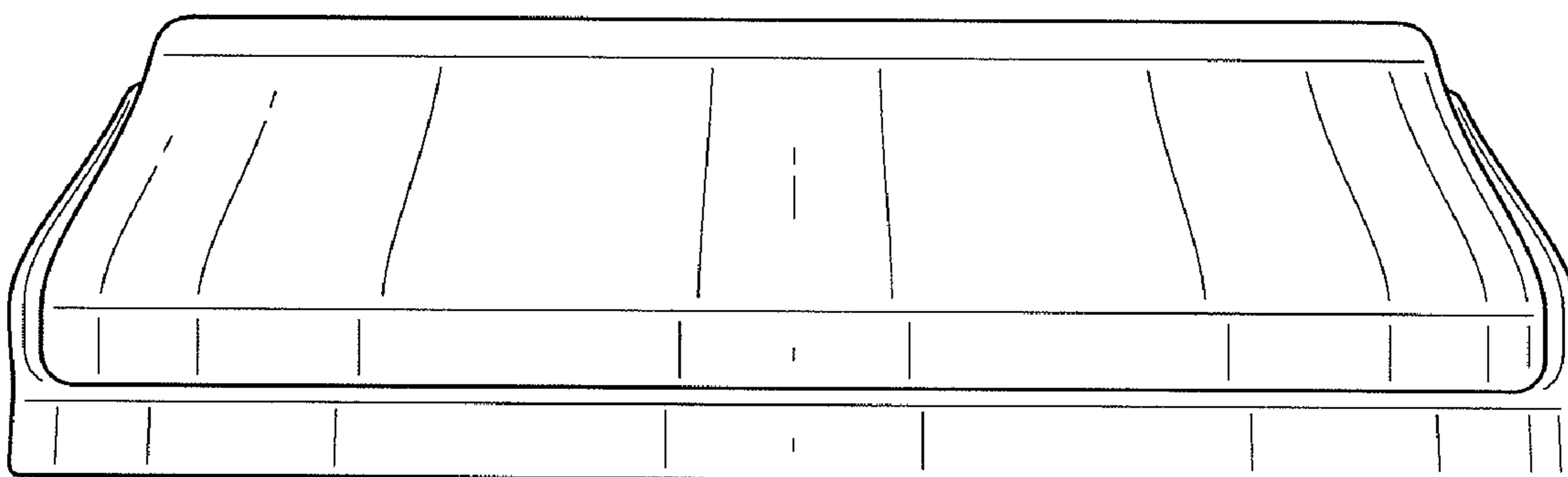


FIG. 3

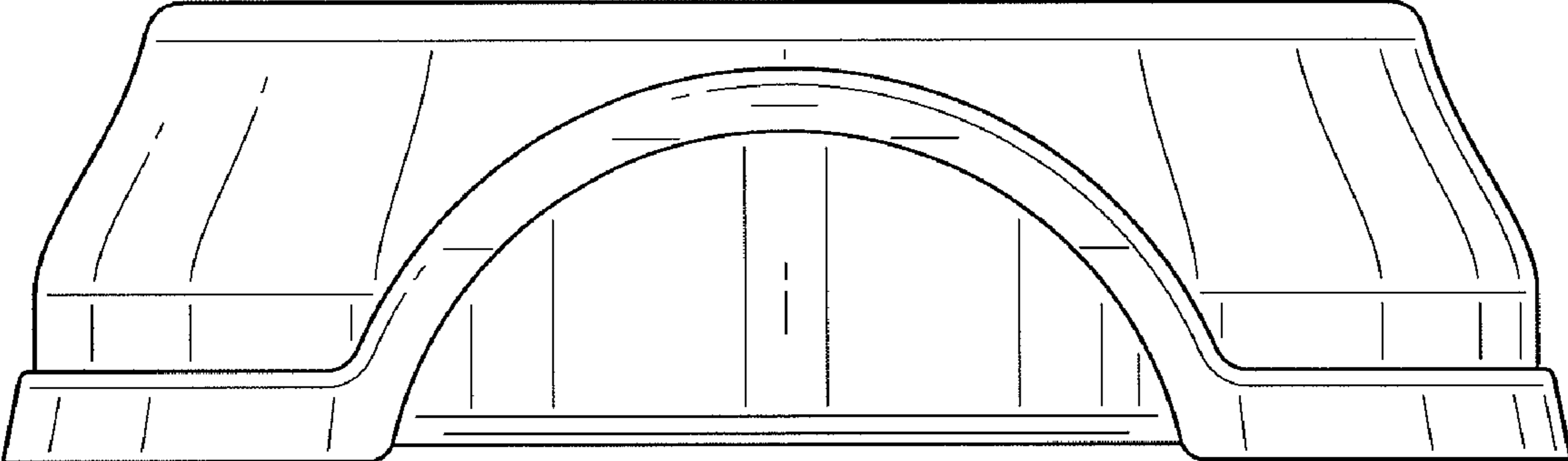


FIG. 4

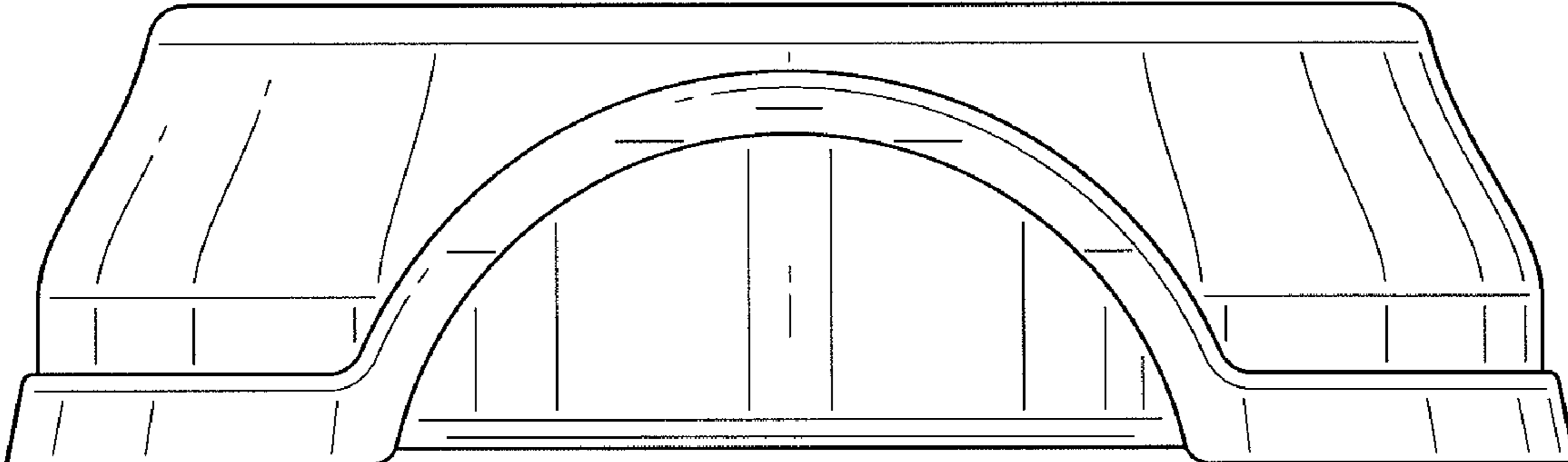


FIG. 5

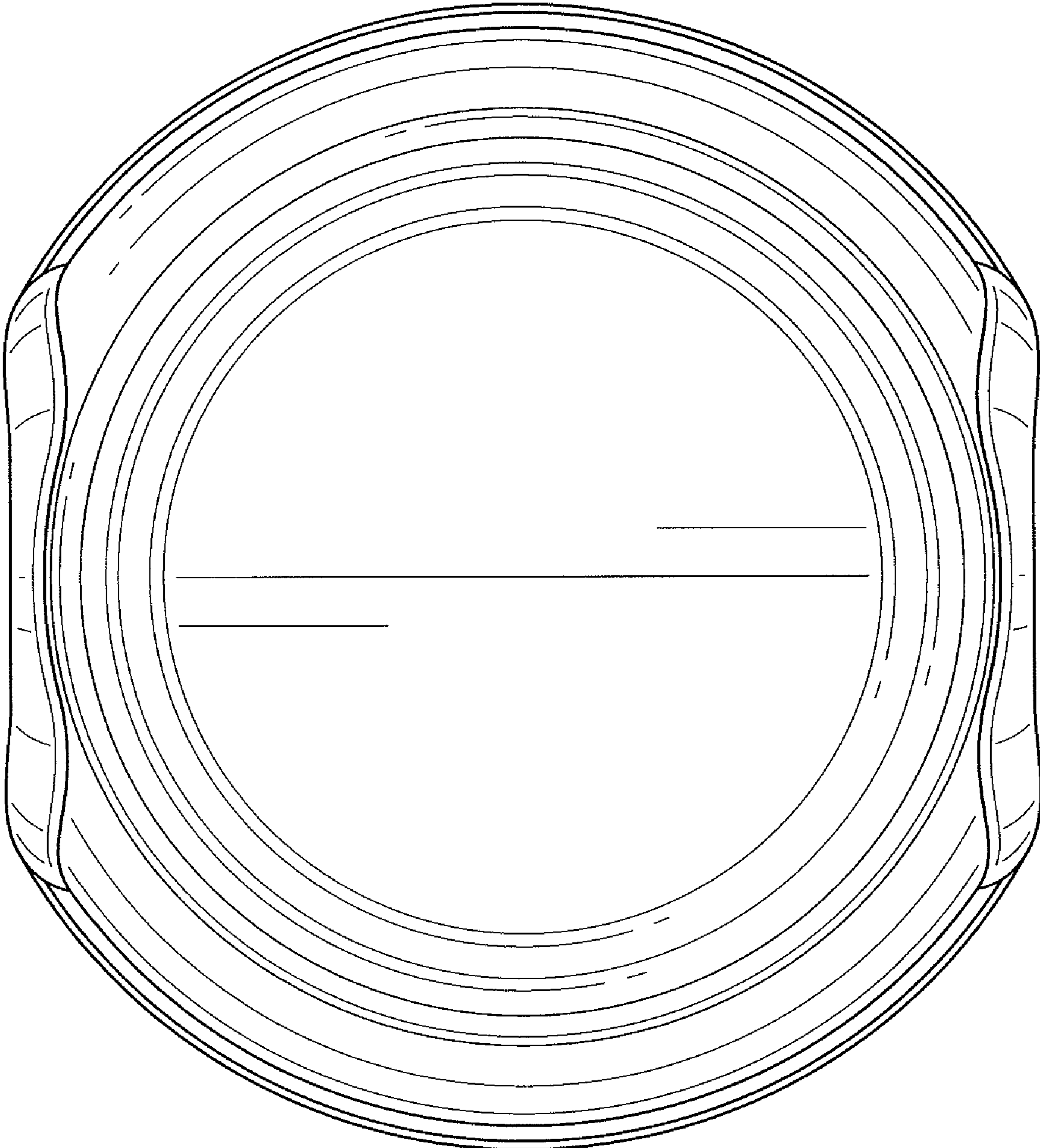
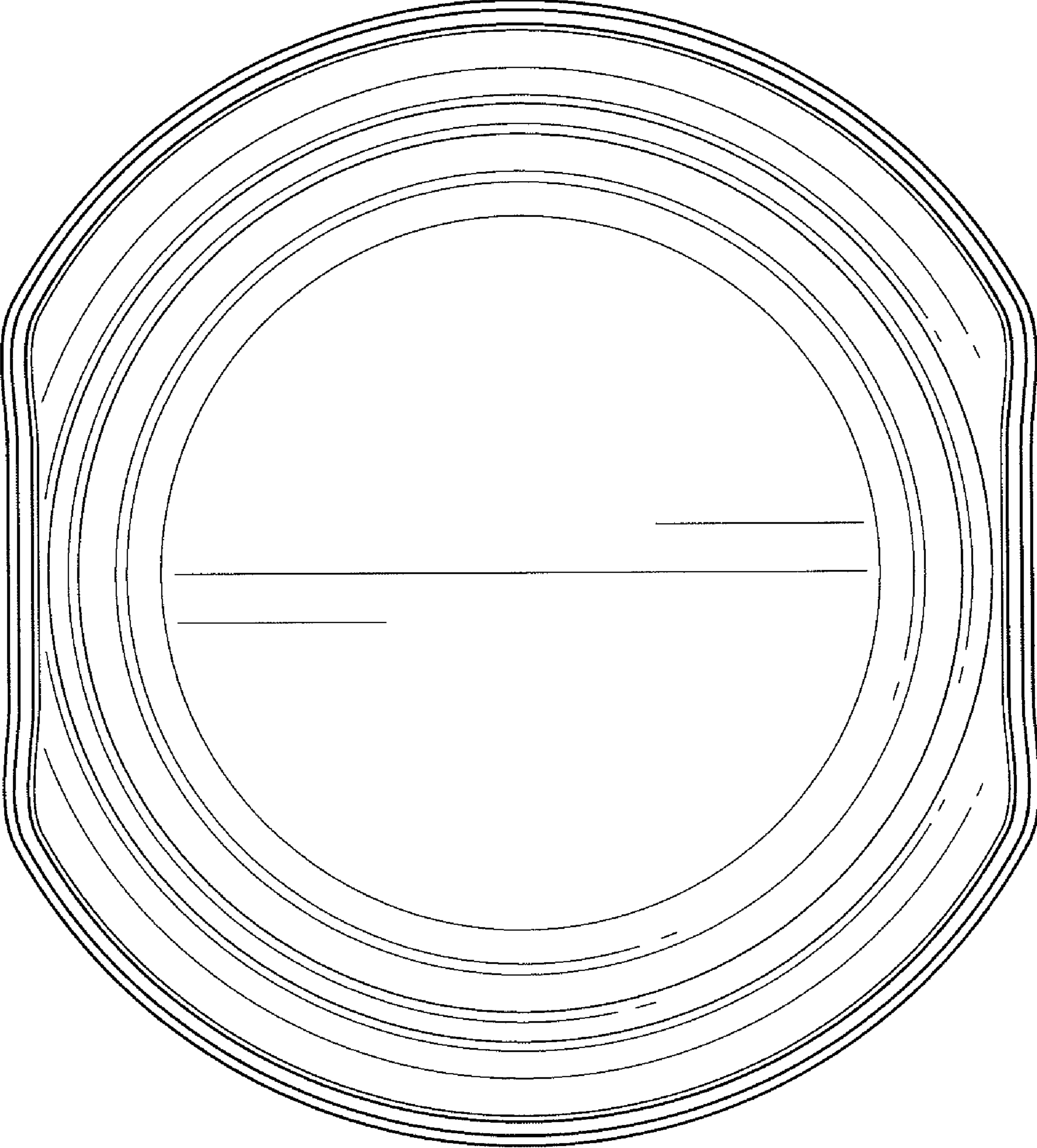


FIG. 6



**FIG. 7**