



US00D636944S

(12) **United States Design Patent**
Anderson et al.

(10) **Patent No.:** **US D636,944 S**
(45) **Date of Patent:** **** Apr. 26, 2011**

(54) **PET BOWL**

(75) Inventors: **Norman Anderson**, Brooklyn, NY (US);
Ryan Rutherford, Belleville, NJ (US)

(73) Assignee: **J. W. Pet Company, Inc.**, Teterboro, NJ
(US)

(**) Term: **14 Years**

(21) Appl. No.: **29/360,766**

(22) Filed: **Apr. 30, 2010**

747,677 A	12/1903	Bierley
D43,525 S	2/1913	Dunn
1,224,305 A	5/1917	Kraus
D56,761 S	12/1920	Miller
1,562,620 A	11/1925	Dill
1,600,055 A	9/1926	Meyer
1,891,077 A	12/1932	Beach
2,053,949 A	9/1936	Emery
D105,812 S	8/1937	Siekert

(Continued)

FOREIGN PATENT DOCUMENTS

GB 2 410 409 8/2005

(Continued)

Related U.S. Application Data

(60) Division of application No. 29/354,995, filed on Feb. 1, 2010, now Pat. No. Des. 626,705, which is a continuation of application No. 11/940,623, filed on Nov. 15, 2007, now abandoned.

(51) **LOC (9) Cl.** **30-03**

(52) **U.S. Cl.** **D30/129**

(58) **Field of Classification Search** D30/121,
D30/122, 129-133; 119/61.5, 51.01, 61.56,
119/51.03, 59, 62, 63, 51.5, 57.8, 74, 61.54,
119/61.55; 312/204; 248/151, 188; 108/156,
108/153.1-157; 220/23.87, 630, 737, 743,
220/9.4, 495.01, 574, 212, 255, 23.83; 206/515;
D7/586, 543, 550.1, 587, 505, 584, 545, 500,
D7/553.1-553.8, 546, 555, 556, 504, 565,
D7/562, 602; D9/429; 43/109; D22/122;
99/430, DIG. 15

See application file for complete search history.

(56) **References Cited**

U.S. PATENT DOCUMENTS

75,673 A	3/1868	Gibson
0,459,032 A	9/1891	Worthley
472,316 A	4/1892	Smith
495,872 A	4/1893	Ball
571,196 A	2/1897	Johnson
603,492 A	5/1898	Waterer

OTHER PUBLICATIONS

Notice of Allowance with Notice of References Cited dated Aug. 5, 2008, from corresponding U.S. Appl. No. 29/269,432, now U.S. Patent D581,604.

(Continued)

Primary Examiner — Susan Moon Lee

(74) *Attorney, Agent, or Firm* — Katten Muchin Rosenman LLP

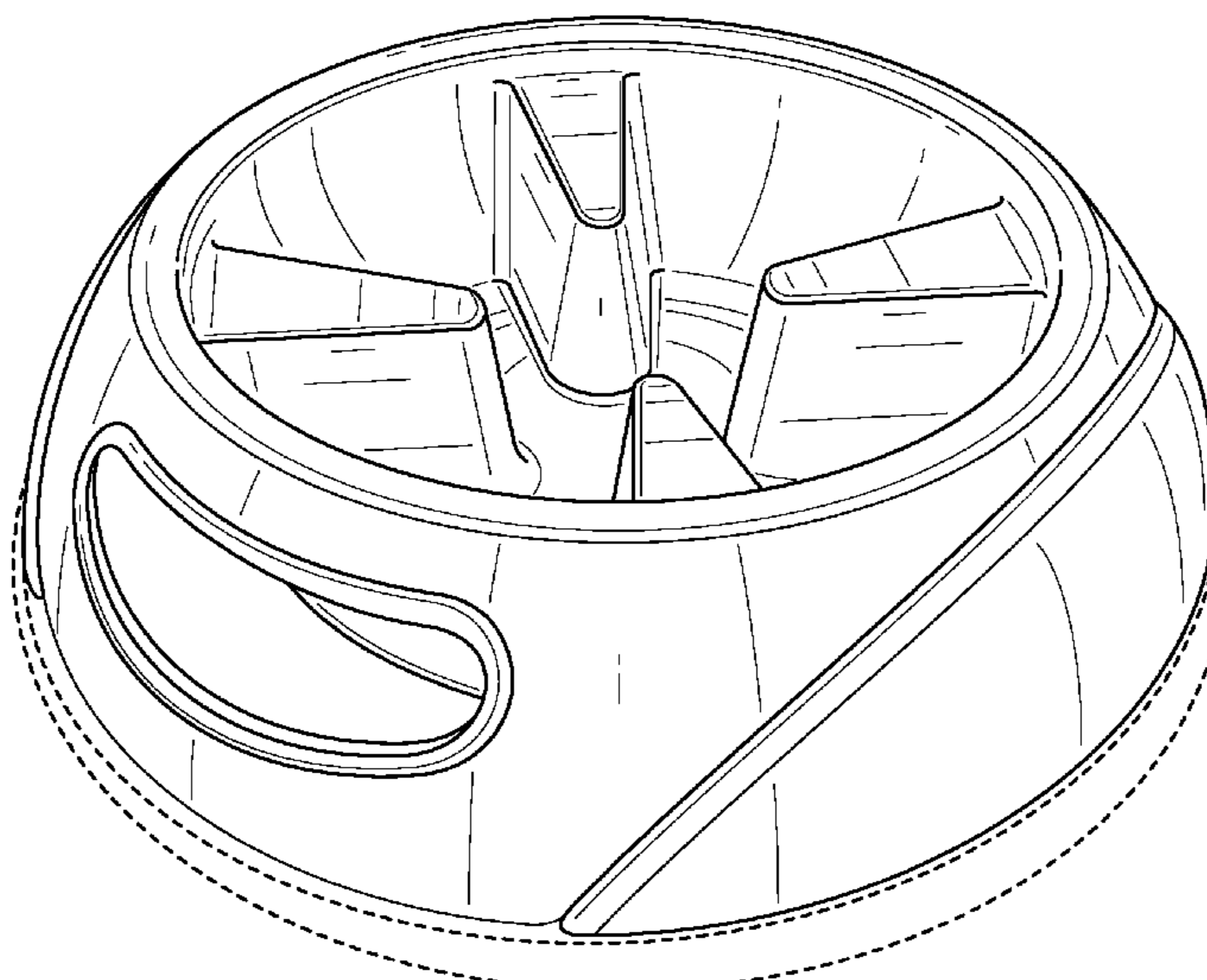
(57) **CLAIM**

We claim the ornamental design for a pet bowl, as shown and described.

DESCRIPTION

FIG. 1 is a perspective view of a pet bowl;
FIG. 2 is a front view thereof;
FIG. 3 is a rear view thereof;
FIG. 4 is a left side view thereof;
FIG. 5 is a right side view thereof;
FIG. 6 is a top view thereof; and,
FIG. 7 is a bottom view thereof.
In the drawings, the portions depicted in broken line are not claimed.

1 Claim, 5 Drawing Sheets



US D636,944 S

U.S. PATENT DOCUMENTS					
2,174,725	A	10/1939 Hutaff, Jr.	D313,488	S	1/1991 Conner
2,178,812	A	11/1939 Schade	D313,489	S	1/1991 Conner
2,191,811	A	2/1940 Trampier, Sr.	4,981,108	A	1/1991 Faeroe
2,259,682	A	10/1941 Collins	4,986,433	A	1/1991 Davis
2,419,834	A	4/1947 Grindstaff	5,000,123	A	3/1991 Morse et al.
D156,331	S	12/1949 French	5,031,575	A	7/1991 Phillips
D158,159	S	* 4/1950 Verlod D27/115	5,037,084	A	8/1991 Flor
D160,890	S	11/1950 Reifsnyder et al.	5,069,166	A	12/1991 Ahuna
2,554,086	A	5/1951 Block	D325,684	S	4/1992 Deare
2,584,301	A	2/1952 Sinclair	5,105,769	A	4/1992 Smith et al.
2,677,350	A	5/1954 Prestidge et al.	5,113,798	A	5/1992 Rera
2,699,752	A	1/1955 Reyes	5,125,184	A	6/1992 Anderson
2,813,509	A	11/1957 Bruno	D329,681	S	9/1992 Demarest et al.
2,905,351	A	9/1959 Lerner	5,147,980	A	9/1992 Ferguson
2,928,372	A	3/1960 Farley	D330,785	S	11/1992 Jordan
D191,058	S	* 8/1961 Jones D7/584	5,169,023	A	12/1992 Heiberg et al.
3,076,579	A	2/1963 Kuhlman	5,253,609	A	10/1993 Partelow et al.
D197,574	S	2/1964 Gulotta	5,277,149	A	1/1994 East
D201,670	S	7/1965 Moore	D344,370	S	2/1994 Dryden et al.
3,195,510	A	7/1965 Bernstein	5,297,504	A	* 3/1994 Carrico 119/61.54
3,349,739	A	10/1967 Griese, Jr.	5,341,596	A	8/1994 Kao
D212,191	S	9/1968 Mineo	5,352,465	A	10/1994 Gondek et al.
3,491,724	A	1/1970 Sunner	5,366,103	A	11/1994 Abernathy et al.
3,498,268	A	3/1970 Sleith et al.	5,392,948	A	2/1995 McEntee
3,521,788	A	7/1970 Kandel et al.	5,419,454	A	5/1995 Stowell et al.
3,578,524	A	5/1971 Ingell	5,423,452	A	6/1995 Tardif
3,611,998	A	10/1971 Loscalzo	D364,998	S	12/1995 Held
3,622,036	A	* 11/1971 Bongaerts 220/574	5,478,034	A	12/1995 Cunningham et al.
3,653,362	A	4/1972 Davis	5,485,937	A	1/1996 Tseng
3,664,304	A	5/1972 Carter	5,488,927	A	2/1996 Lorenzana et al.
3,671,008	A	6/1972 Villalba	5,501,176	A	3/1996 Tully
3,698,594	A	10/1972 Boehlert	D370,314	S	5/1996 Pearson-Falcon
3,722,476	A	3/1973 Van Ness et al.	5,526,773	A	6/1996 Richardson
3,734,062	A	5/1973 O'Hara	5,546,894	A	8/1996 St-Pierre
3,763,826	A	10/1973 Portelli	5,560,315	A	10/1996 Lampe
D229,074	S	11/1973 Cuprak	5,560,732	A	10/1996 Kulp et al.
3,776,193	A	12/1973 Post	5,564,362	A	10/1996 Fiveash
D230,034	S	1/1974 Goldman et al.	5,564,363	A	10/1996 Soffici
3,810,446	A	5/1974 Kightlinger et al.	5,570,655	A	11/1996 Targa
D232,658	S	9/1974 Fassauer	5,577,461	A	11/1996 Sebastian et al.
3,838,772	A	10/1974 Lang et al.	5,584,263	A	12/1996 Sexton
3,958,504	A	5/1976 Levin	5,601,012	A	2/1997 Ellner
3,991,719	A	11/1976 Bruce	5,628,276	A	5/1997 Raposa
4,011,951	A	3/1977 Boyer	5,638,638	A	6/1997 Moskowitz
D244,216	S	5/1977 Gerber	5,649,499	A	7/1997 Krietzman et al.
D244,948	S	7/1977 Foley et al.	D383,031	S	9/1997 Cousins
D246,627	S	12/1977 Sugiyama	5,669,328	A	9/1997 Lanfranchi
4,085,706	A	4/1978 Evans	5,676,275	A	10/1997 Khattar
4,089,498	A	5/1978 Woodruff	D390,418	S	2/1998 Jagger
D248,076	S	6/1978 Christian	D391,440	S	3/1998 Cousins
4,106,658	A	8/1978 Brandon	5,724,914	A	3/1998 Nemeth
4,127,189	A	11/1978 Shumrak et al.	5,743,210	A	4/1998 Lampe
4,208,836	A	6/1980 Kramer	5,775,255	A	7/1998 Louviere, III
D259,669	S	6/1981 Peterson	5,782,201	A	7/1998 Wells
4,270,490	A	6/1981 Kopp	5,787,839	A	8/1998 Magnant et al.
D262,069	S	11/1981 Khider	5,813,638	A	9/1998 Morris
4,357,905	A	11/1982 Carpenter	5,855,185	A	1/1999 Scott
D267,221	S	12/1982 Williams	5,857,427	A	1/1999 Kelley
D269,386	S	6/1983 Khider	D405,561	S	2/1999 Willinger et al.
D270,323	S	8/1983 Powers	5,887,545	A	3/1999 Cuttress
4,428,325	A	1/1984 Koch	5,904,264	A	5/1999 Yamada et al.
D274,781	S	7/1984 Baker et al.	D412,605	S	8/1999 Sharon
D278,167	S	3/1985 Kilham	5,938,162	A	8/1999 Honjo
4,576,118	A	3/1986 Meadows	5,979,361	A	11/1999 Willinger
D283,496	S	4/1986 Pisarkiewicz	5,996,531	A	12/1999 Anderson
4,603,851	A	8/1986 Russell	6,032,824	A	* 3/2000 Barrow 220/621
4,721,063	A	1/1988 Atchley	D422,843	S	4/2000 Rashid
D294,531	S	3/1988 Neunzig	D423,149	S	* 4/2000 Cooper et al. D30/129
D296,020	S	5/1988 McCarroll	D423,733	S	4/2000 Choi et al.
4,756,420	A	7/1988 Deaton	D423,880	S	5/2000 Rashid
D299,771	S	2/1989 Kennedy	D424,757	S	5/2000 Cooper et al.
4,803,954	A	2/1989 Welch et al.	6,062,166	A	5/2000 Macrina
D302,753	S	8/1989 Zelinger	6,065,428	A	5/2000 Fronk
4,886,016	A	12/1989 Atchley	D426,104	S	6/2000 Bradley
D305,846	S	2/1990 Griffith	6,082,301	A	7/2000 Kramer
4,905,629	A	3/1990 Hand et al.	6,112,698	A	9/2000 Zelinger
D313,486	S	1/1991 Conner	6,119,628	A	9/2000 Lorenzana et al.
D313,487	S	* 1/1991 Conner D30/129	6,145,474	A	11/2000 Lemkin
			6,152,319	A	11/2000 Kamachi et al.

US D636,944 S

Page 3

D439,707 S * 3/2001 Hansen et al. D30/129
 6,230,653 B1 5/2001 Tobin
 6,237,532 B1 5/2001 Derr
 D444,034 S 6/2001 Miller et al.
 D446,361 S * 8/2001 Elliott D30/129
 D446,362 S 8/2001 Choi et al.
 6,311,640 B1 11/2001 Mercado
 6,330,956 B1 12/2001 Willinger
 6,339,899 B1 1/2002 Lehmann
 D454,990 S * 3/2002 Lorenzana D30/129
 D458,419 S 6/2002 Ross
 D459,841 S 7/2002 Ross
 D465,884 S * 11/2002 Ross D30/129
 D466,655 S * 12/2002 Zelinger D30/129
 D467,125 S 12/2002 Orr et al.
 D467,687 S 12/2002 Tangolics
 6,516,747 B1 2/2003 Willinger
 D471,677 S * 3/2003 Northrop D30/129
 6,539,893 B1 4/2003 Otto-Lubker et al.
 D477,171 S 7/2003 Gabbour
 D478,466 S 8/2003 Henry et al.
 D485,208 S 1/2004 Fan
 D485,784 S 1/2004 Fan
 D486,992 S 2/2004 Henry et al.
 D490,577 S 5/2004 Steinbacher et al.
 D490,745 S 6/2004 Fan
 D491,321 S * 6/2004 Wolf D30/129
 D491,322 S * 6/2004 Wolf D30/129
 D504,196 S * 4/2005 Huthmaker et al. D30/129
 D504,197 S * 4/2005 Huthmaker et al. D30/129
 D514,750 S * 2/2006 Matula D30/129
 D523,996 S * 6/2006 Fine D30/129
 D526,529 S 8/2006 Henry et al.
 D529,838 S 10/2006 Boling
 D531,081 S 10/2006 Fan
 D563,607 S * 3/2008 Northrop D30/129
 D563,608 S 3/2008 Kitchen
 D564,710 S 3/2008 Modi et al.
 D564,711 S 3/2008 Modi et al.
 D565,356 S 4/2008 Mellen et al.
 D575,581 S * 8/2008 Harris D7/396.6
 D576,448 S * 9/2008 Harris D7/505
 D581,604 S 11/2008 Ragonetti et al.
 D590,109 S 4/2009 Anderson et al.
 D593,364 S * 6/2009 Harris D7/505
 D600,861 S * 9/2009 Sin D30/129
 D600,862 S * 9/2009 Sin D30/129
 D603,106 S 10/2009 Ragonetti et al.

7,600,486 B2 * 10/2009 Ellis 119/61.5
 7,849,817 B1 * 12/2010 Warganich 119/77
 2002/0017056 A1 2/2002 Fan
 2002/0185073 A1 12/2002 Fullerton et al.
 2003/0033986 A1 2/2003 Brown
 2003/0098310 A1 5/2003 McGee
 2003/0192480 A1 10/2003 Bennett
 2004/0231607 A1 * 11/2004 Hollinger 119/61.54
 2004/0244703 A1 12/2004 Lehman
 2005/0039689 A1 2/2005 Mossmer
 2005/0039690 A1 2/2005 Sage, Jr.
 2006/0005774 A1 1/2006 Newman Bornhofen
 2006/0213447 A1 9/2006 Kitchen et al.
 2007/0089678 A1 4/2007 Greenwood
 2008/0022937 A1 * 1/2008 Shirley et al. 119/72
 2008/0053374 A1 3/2008 Kerrigan et al.
 2008/0072829 A1 * 3/2008 Kerrigan et al. 119/61.5
 2008/0141945 A1 6/2008 Markham
 2009/0126641 A1 * 5/2009 Anderson et al. 119/61.5
 2010/0012042 A1 * 1/2010 Lee 119/61.5
 2010/0077963 A1 * 4/2010 Lipscomb et al. 119/54
 2010/0275852 A1 * 11/2010 Lipscomb et al. 119/61.5

FOREIGN PATENT DOCUMENTS

GB	2 440 500	2/2008
NL	1012335	12/2000
WO	02/094123 A3	11/2002
WO	02/094125 A3	11/2002

OTHER PUBLICATIONS

Notice of Allowance with Notice of References Cited dated Jun. 25, 2009, from corresponding U.S. Appl. No. 29/323,870, now U.S. Patent D603,106.
 www.brake-fast.net; Retrieved from archive.org on Mar. 25, 2009, archived on Dec. 10, 2006.
 United States Office Action dated May 13, 2009, from corresponding U.S. Appl. No. 11/940,623.
 United States Office Action dated Oct. 15, 2009, from corresponding U.S. Appl. No. 11/940,623.
 United States Office Action dated Jun. 26, 2008, from corresponding U.S. Appl. No. 29/304,375.
 Petstages Healthy Portion Dog Bowl, 2005.

* cited by examiner

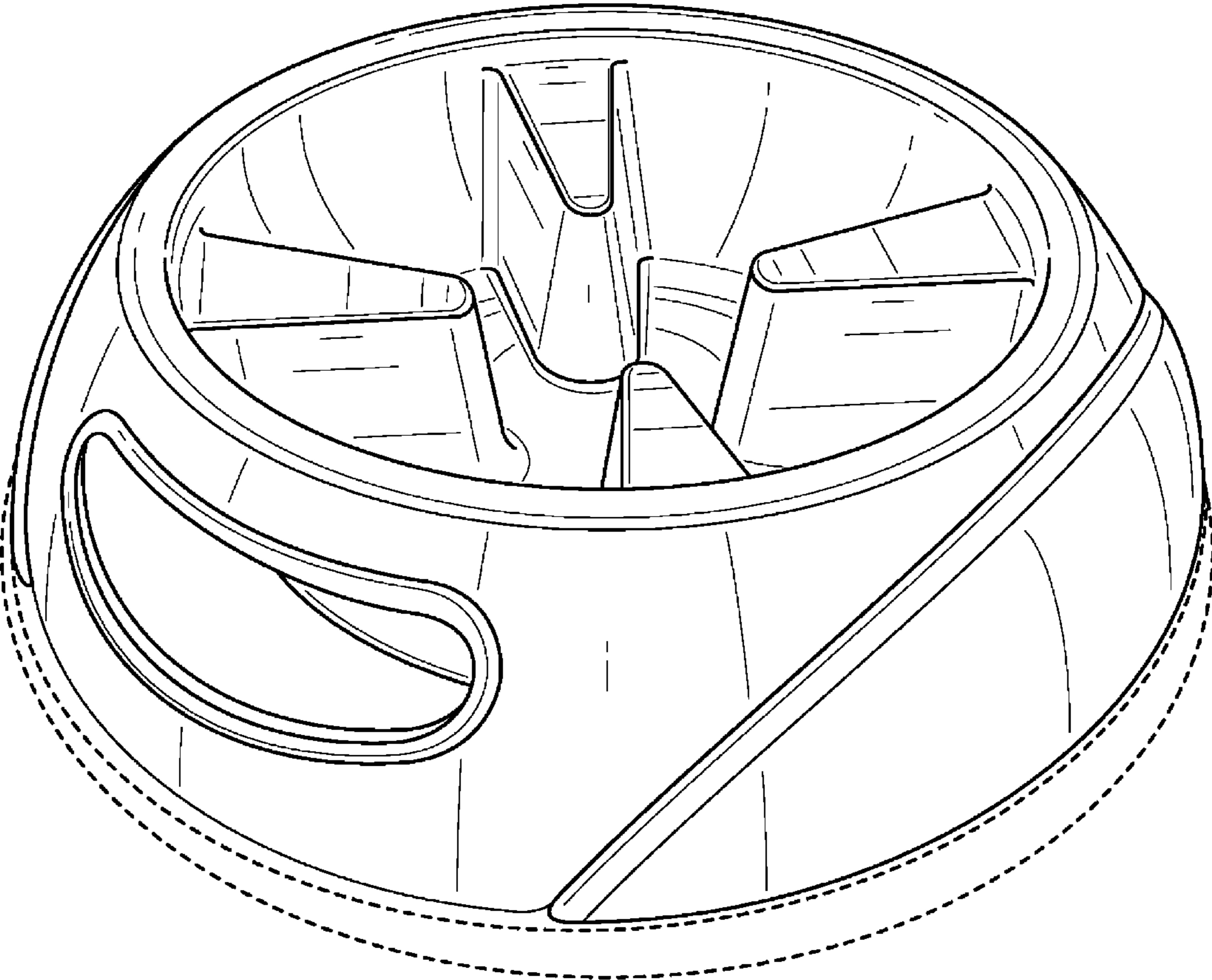


FIG. 1

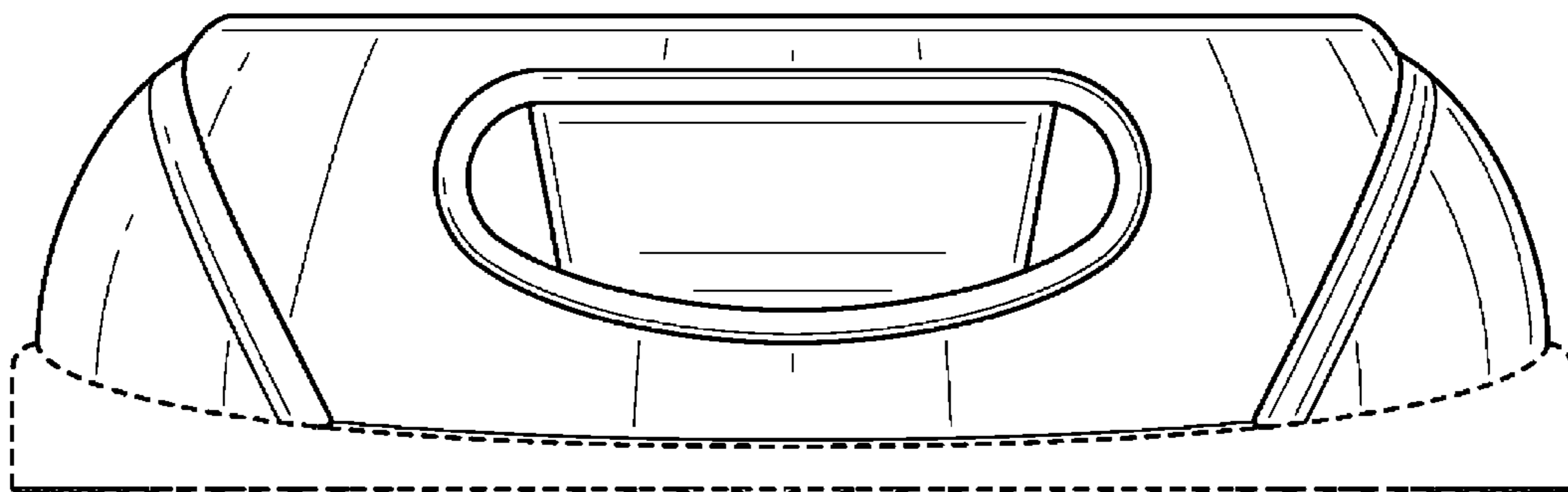


FIG. 2

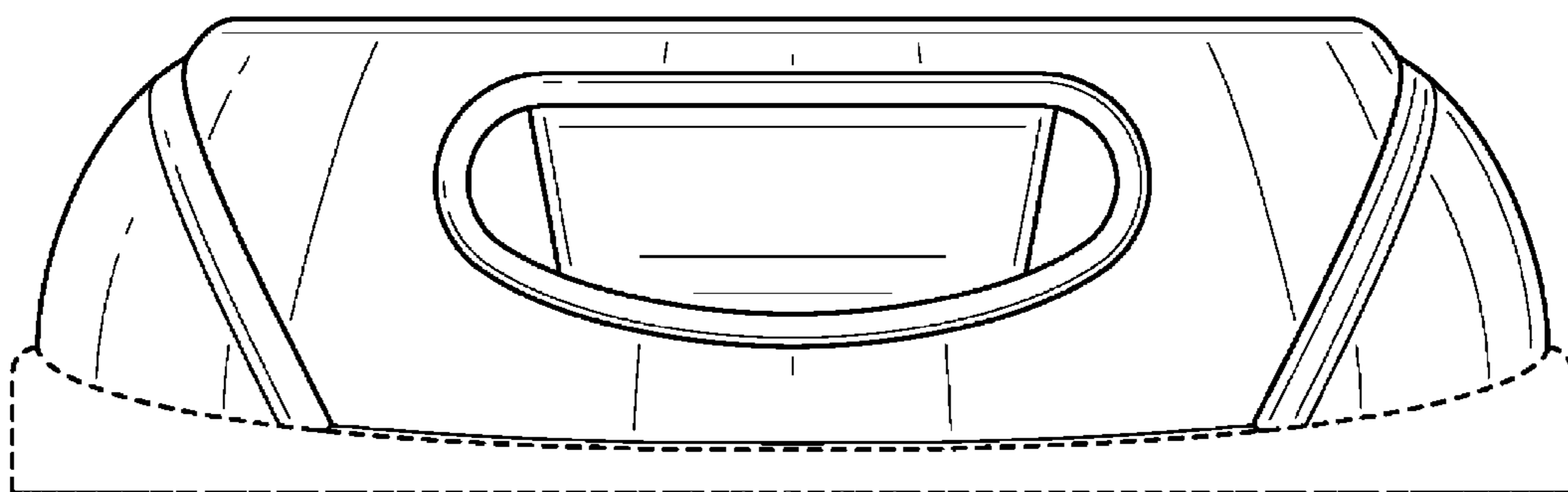


FIG. 3

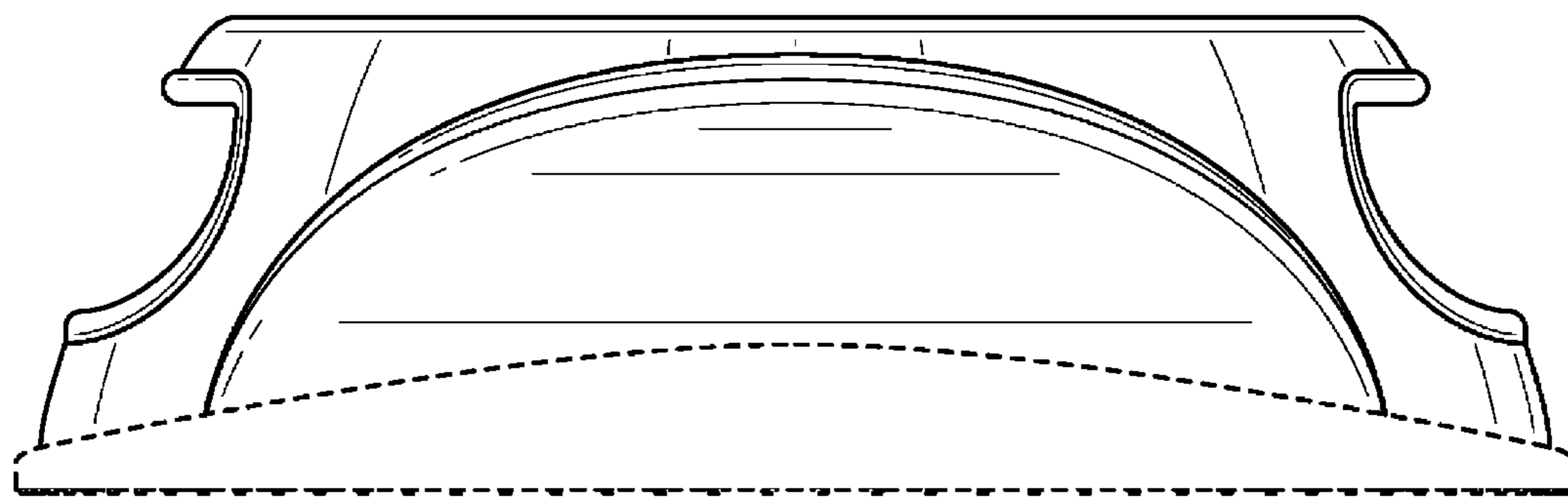


FIG. 4

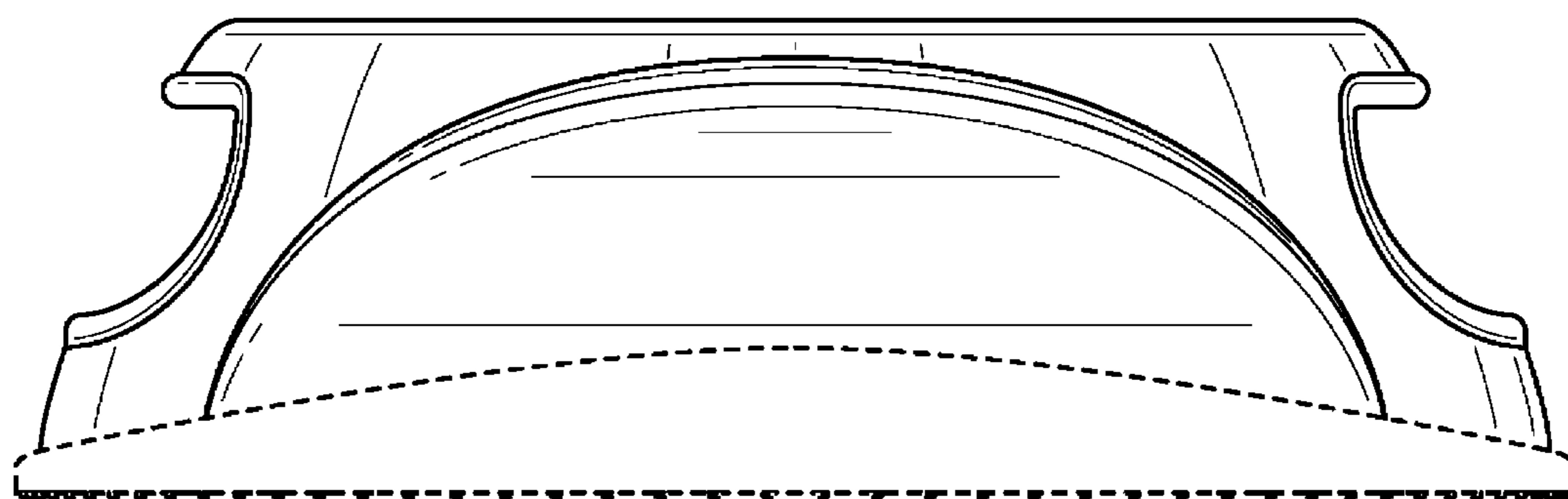


FIG. 5

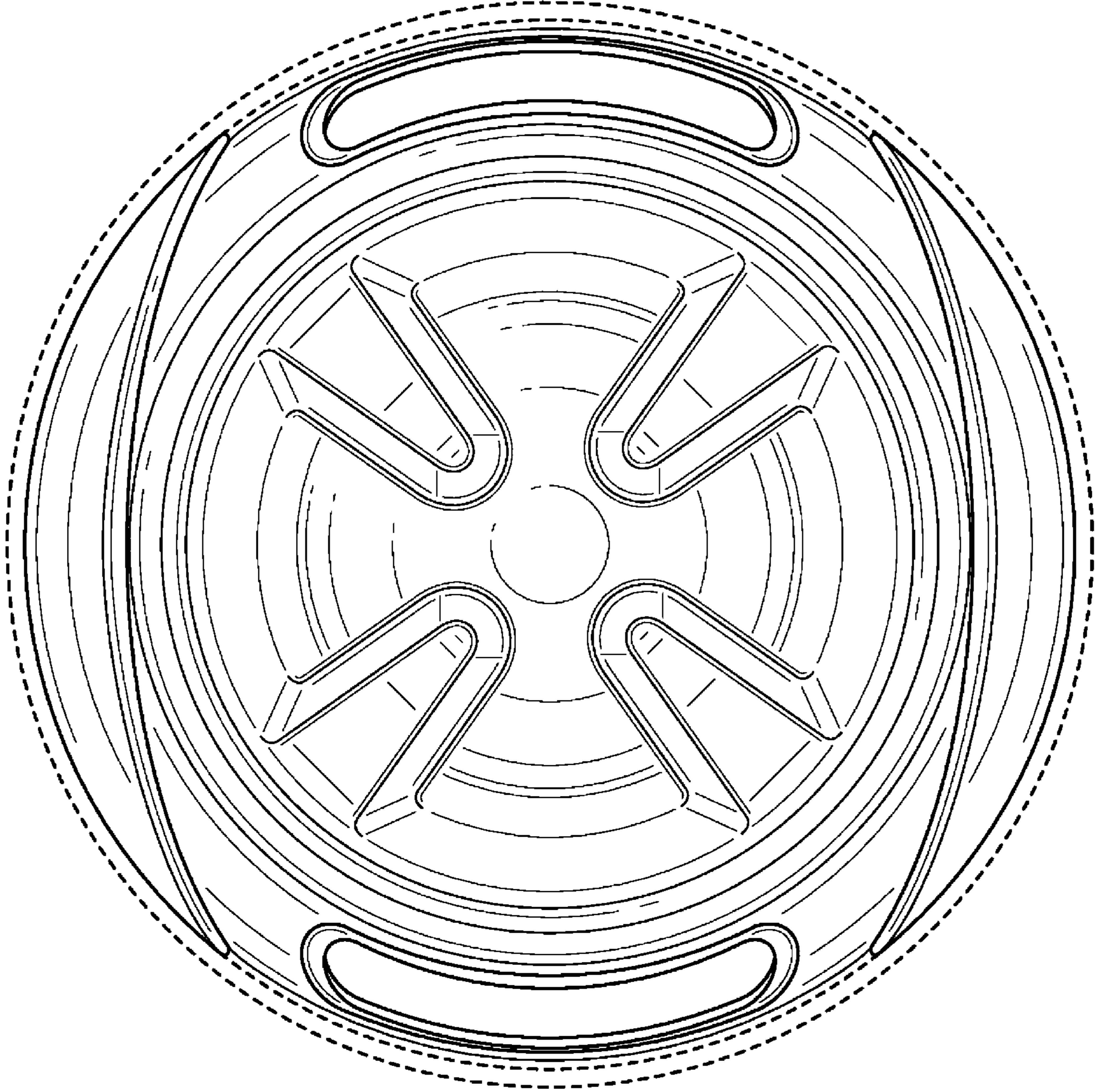


FIG. 6



FIG. 7