



US00D636943S

(12) **United States Design Patent**
Pilz

(10) **Patent No.:** **US D636,943 S**

(45) **Date of Patent:** **** Apr. 26, 2011**

(54) **ANIMAL FEEDING DEVICE**

(75) **Inventor:** **Gisela Pilz**, Freising (DE)

(73) **Assignee:** **Catsomat GmbH & Co. Pet Products**
KG, Freising (DE)

(**) **Term:** **14 Years**

(21) **Appl. No.:** **29/349,731**

(22) **Filed:** **Apr. 27, 2010**

(30) **Foreign Application Priority Data**

Dec. 2, 2009 (EM) 001642646-0001

(51) **LOC (9) Cl.** **03-07**

(52) **U.S. Cl.** **D30/122**

(58) **Field of Classification Search** D30/121,
D30/122, 129-133; 119/61.5, 51.01, 61.56,
119/51.03, 59, 62, 63, 51.5, 57.8, 74, 61.54,
119/61.55, 53, 53.5, 75, 51.02, 52.3, 57.9,
119/77; 312/204; 248/151, 188; 108/156,
108/153.1-157; 220/23.87, 630, 737, 743,
220/9.4, 495.01, 574, 212, 255, 23.83; 206/515;
D7/586, 543, 550.1, 587, 505, 584, 545, 500,
D7/553.1-553.8, 546, 555, 556, 504, 565,
D7/562, 602; D9/429; 43/109; D22/122;
99/430, DIG. 15; 49/30; 52/66, 64; 135/133,
135/906; D21/834

See application file for complete search history.

(56) **References Cited**

U.S. PATENT DOCUMENTS

D204,369	S	*	4/1966	Lepper	D30/122
3,646,912	A	*	3/1972	Gardner	119/51.12
4,164,200	A	*	8/1979	Gambling	119/51.12
D257,692	S	*	12/1980	Thayer	D30/121
D312,334	S	*	11/1990	Kirk	D30/122
D313,093	S	*	12/1990	Tanaka	D30/122
D341,131	S	*	11/1993	Keeney et al.	D14/420
D369,825	S	*	5/1996	Yatabe et al.	D18/50
D457,180	S	*	5/2002	Gotham et al.	D16/246
D517,554	S	*	3/2006	Yanagisawa et al.	D14/421
D532,817	S	*	11/2006	Ishii	D18/50
2007/0193230	A1	*	8/2007	Bapista	53/510

FOREIGN PATENT DOCUMENTS

DE 33 28 762 A1 2/1985

* cited by examiner

Primary Examiner — Susan Moon Lee

(74) *Attorney, Agent, or Firm* — Alix, Yale & Ristas, LLP

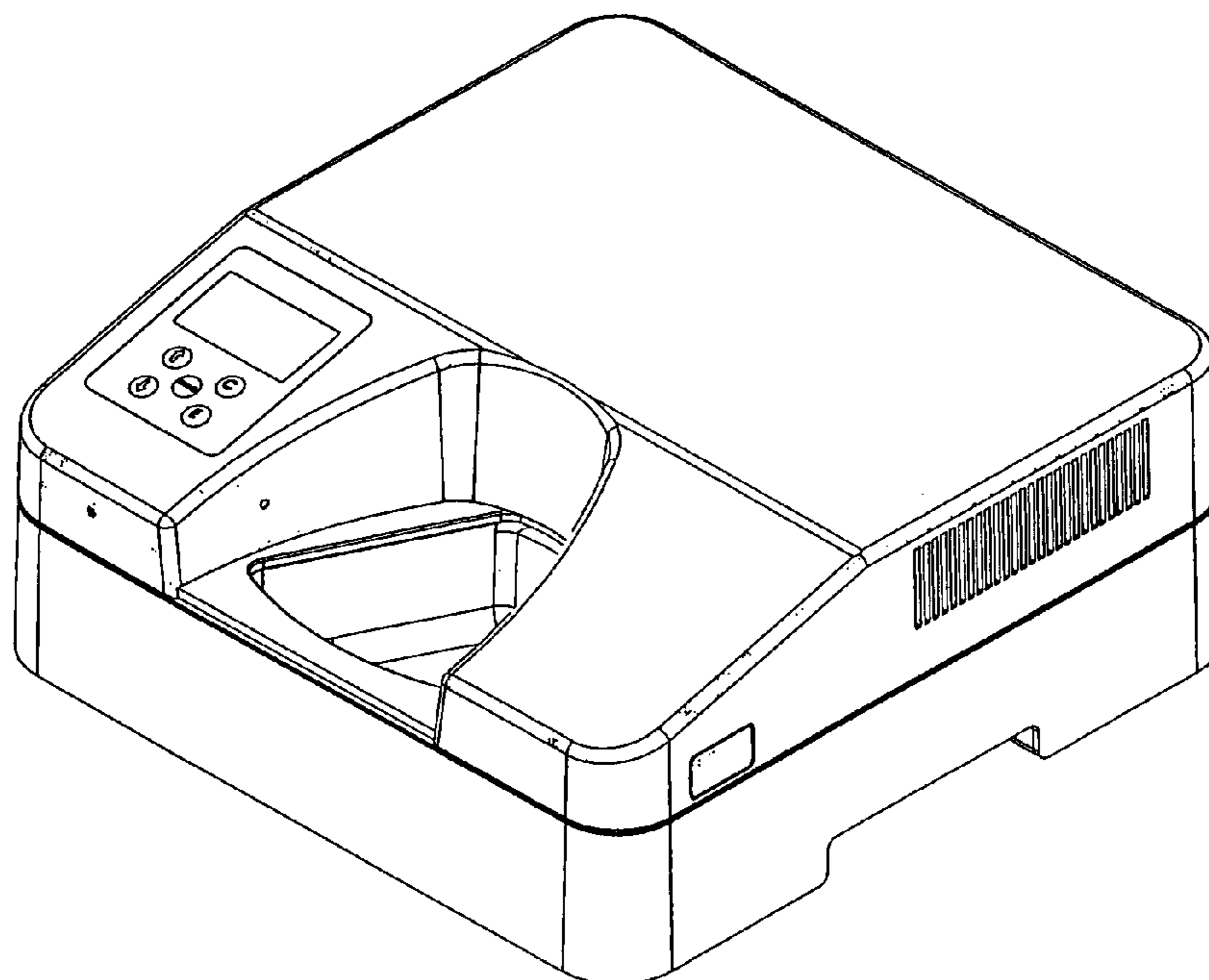
(57) **CLAIM**

The ornamental design for an animal feeding device, as shown and described.

DESCRIPTION

FIG. 1 is a perspective view of an animal feeding device showing my new design;
FIG. 2 is a front view thereof;
FIG. 3 is a rear view thereof;
FIG. 4 is a right side view thereof;
FIG. 5 is a left side view thereof;
FIG. 6 is a top plan view thereof; and,
FIG. 7 is a bottom plan view thereof.

1 Claim, 7 Drawing Sheets



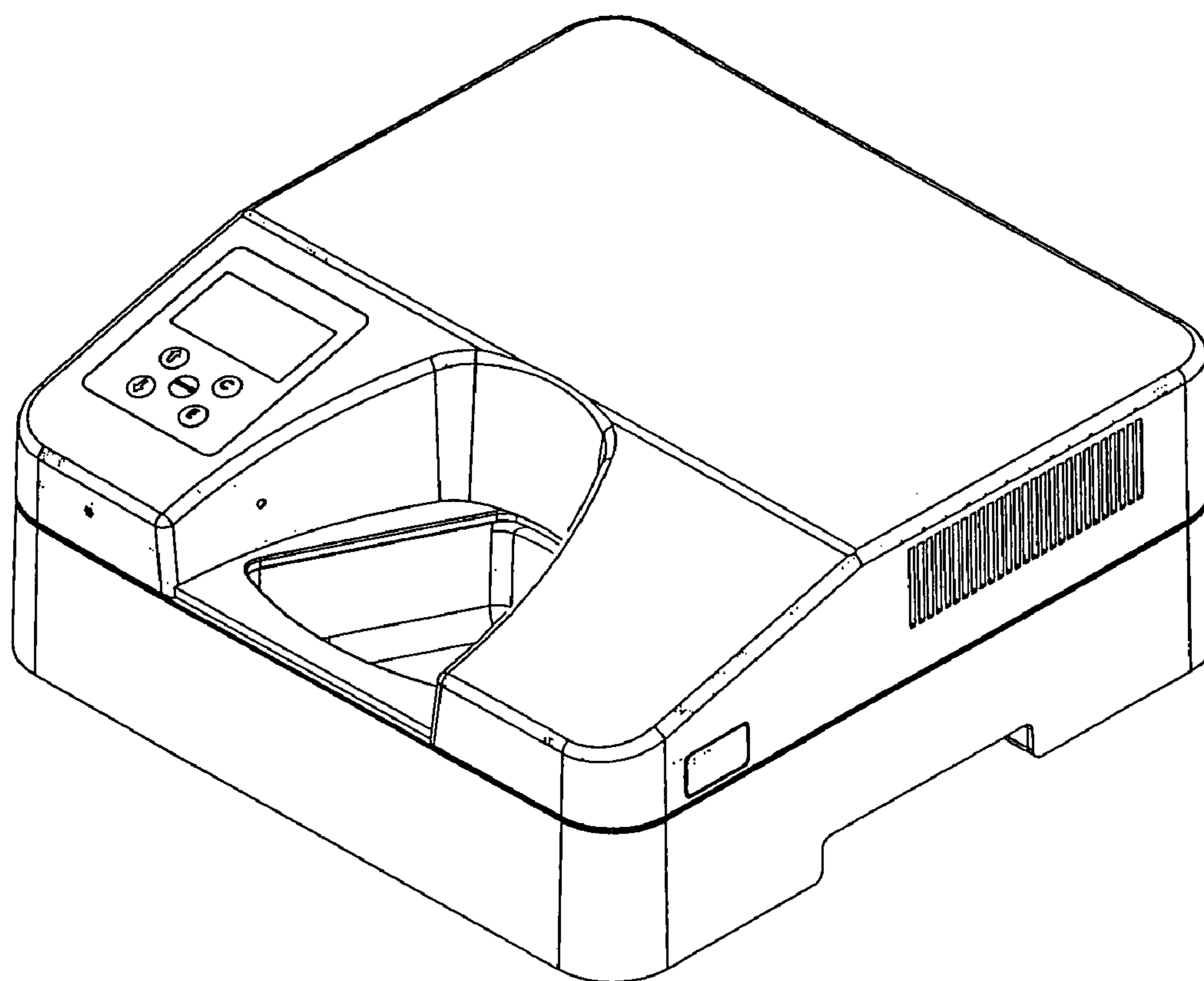


Fig. 1

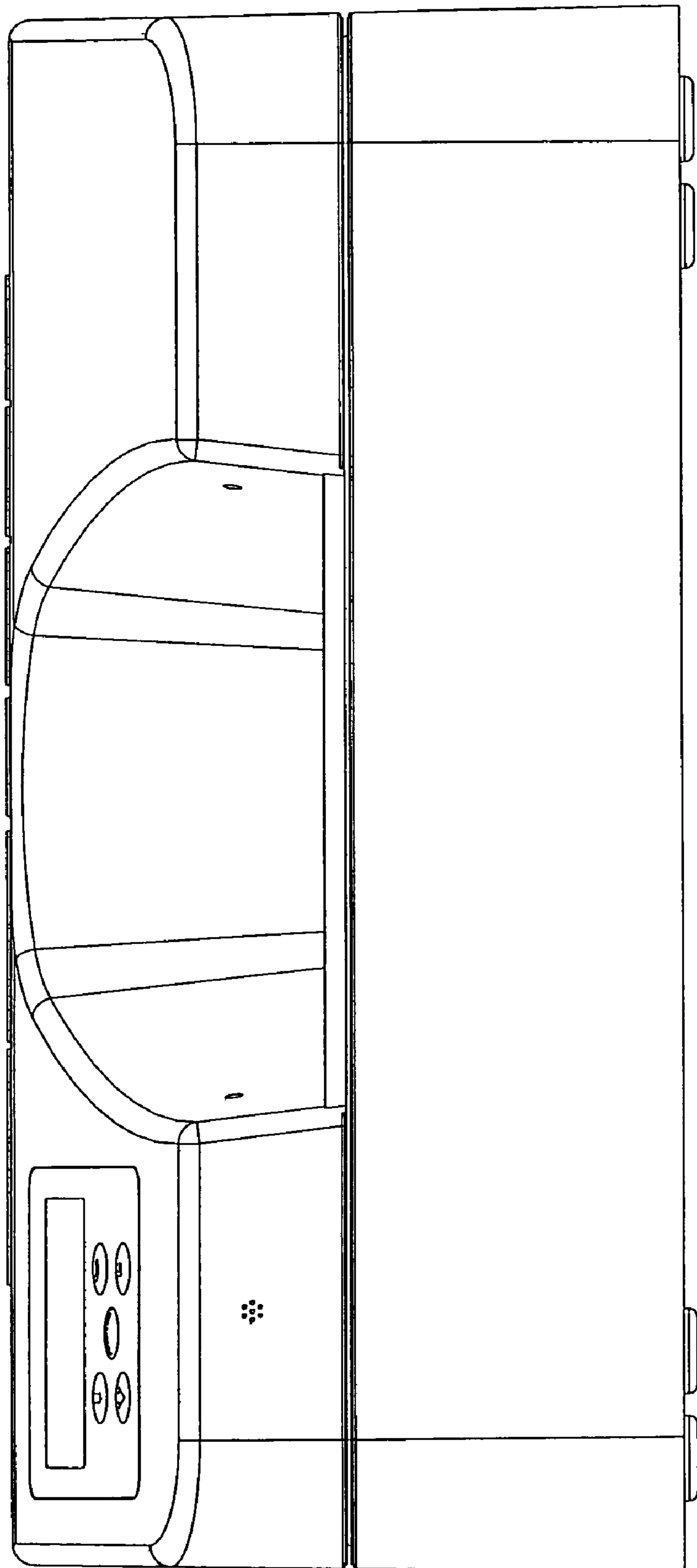


Fig. 2

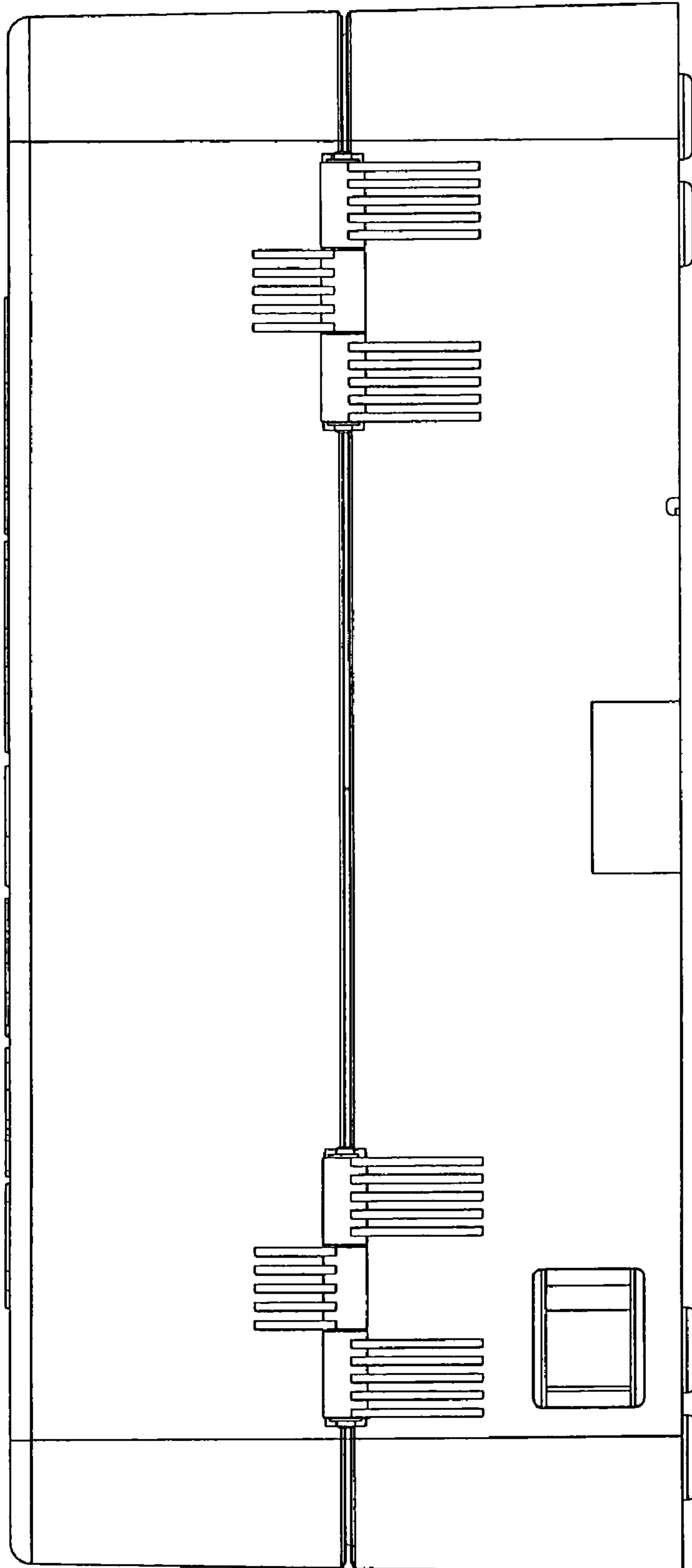


Fig. 3

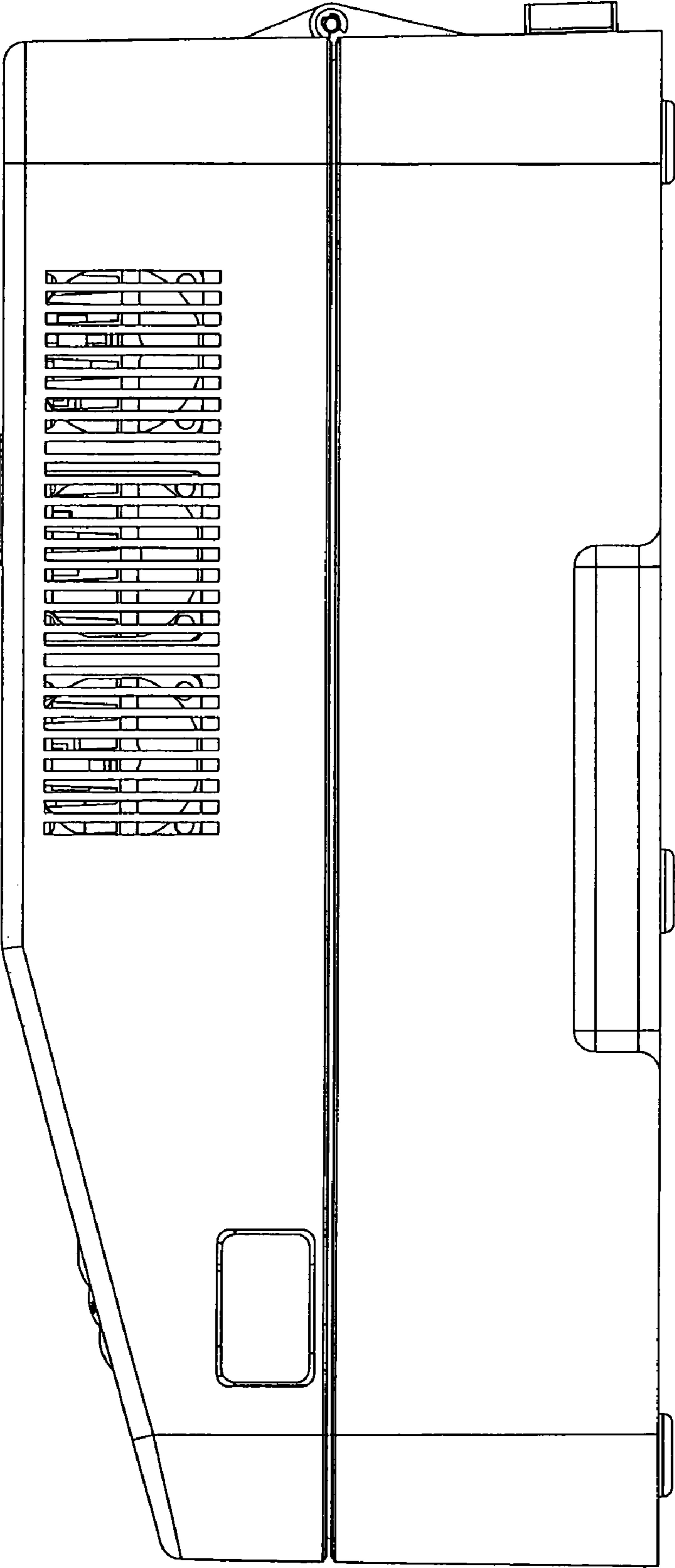


Fig. 4

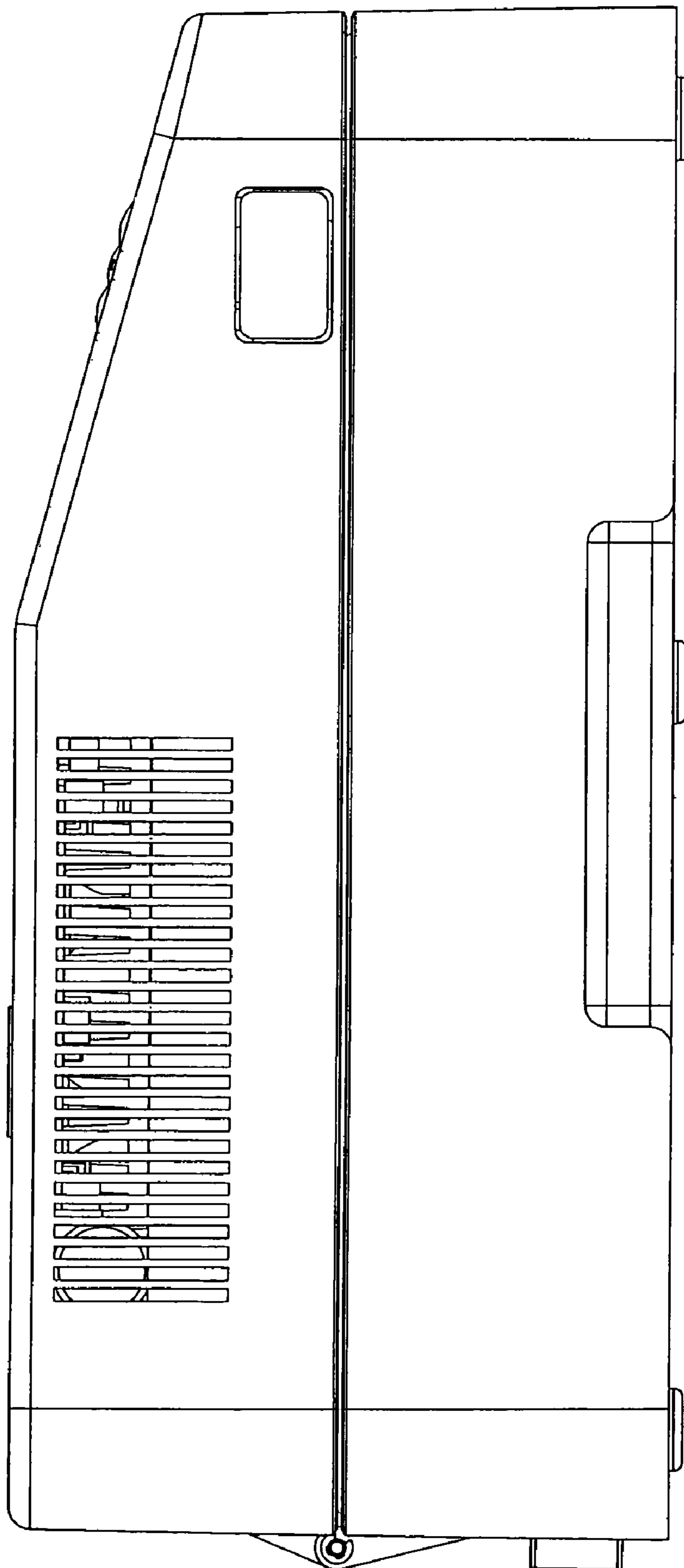


Fig. 5

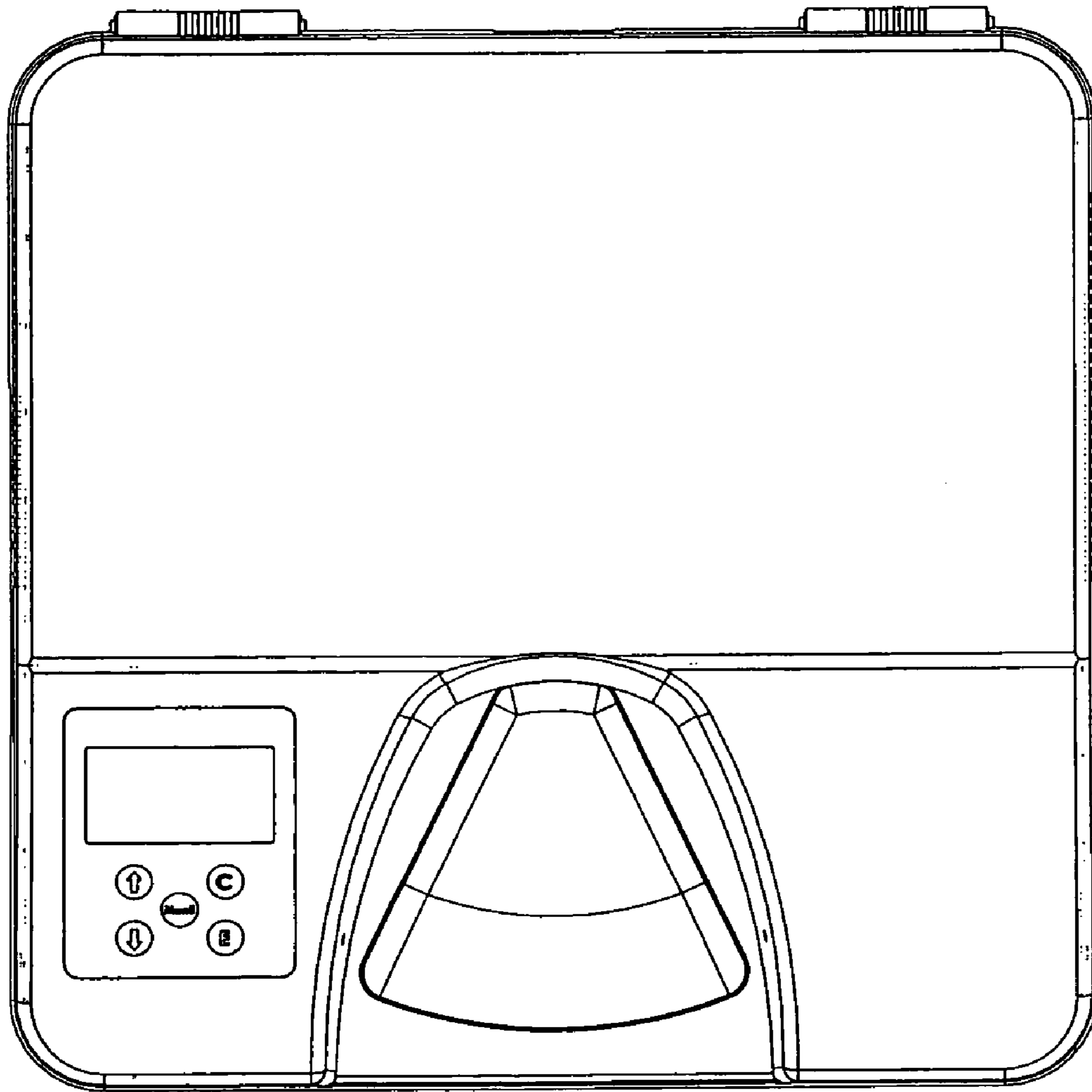


Fig. 6

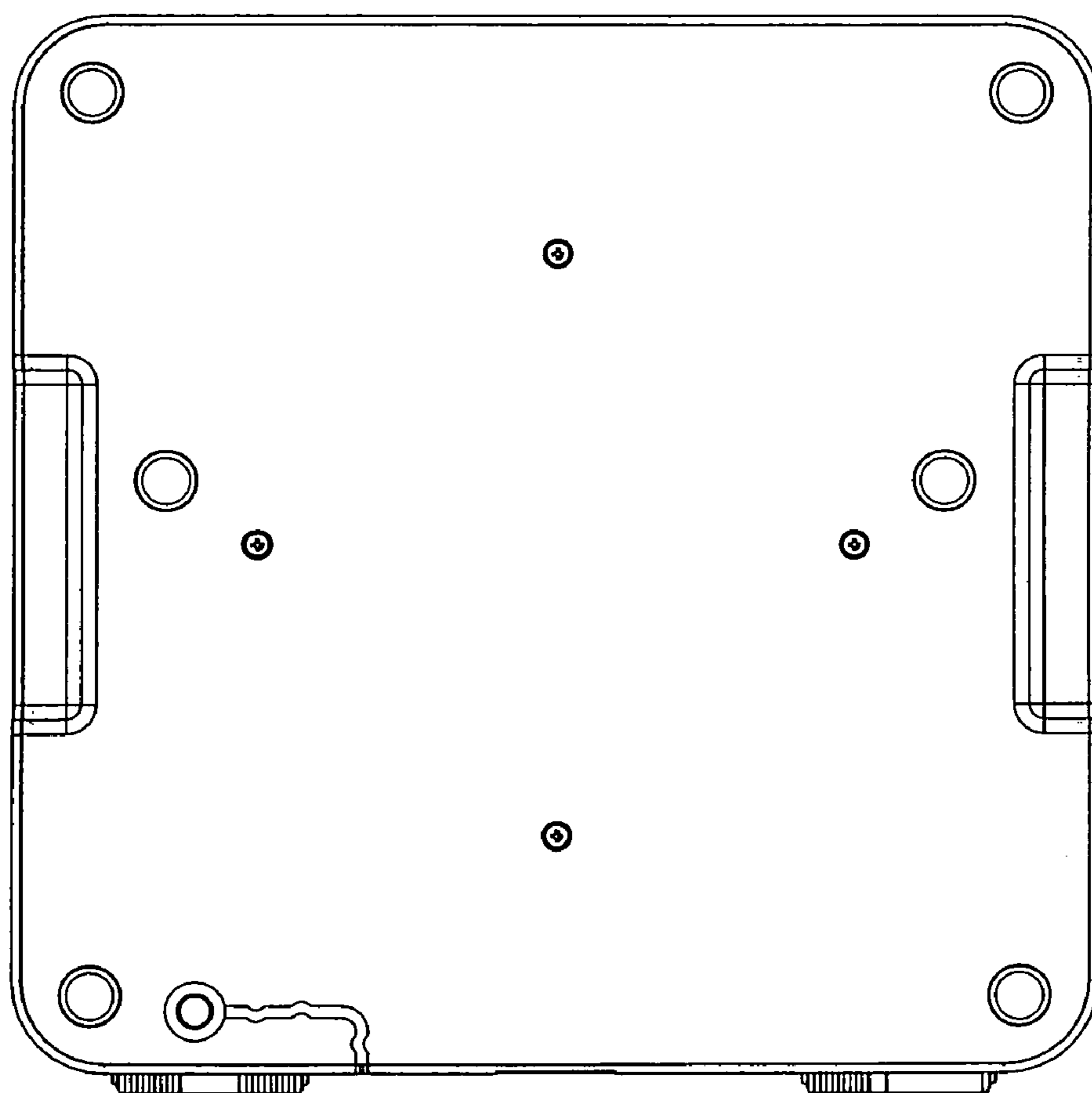


Fig. 7