



US00D636942S

(12) **United States Design Patent**
Meritt

(10) **Patent No.:** **US D636,942 S**
(45) **Date of Patent:** **** Apr. 26, 2011**

(54) **FAWN FEEDER**

FOREIGN PATENT DOCUMENTS

(75) Inventor: **Rick Meritt**, Gilmer, TX (US)

GB 2129266 A 5/1984
(Continued)

(73) Assignee: **Rick Meritt Investments, Ltd.**, Gilmer, TX (US)

OTHER PUBLICATIONS

(**) Term: **14 Years**

Advertisement (Mumme's Inc.) (1 page), Texas Deer Association Tracks, vol. 6, Issue 3 (May/Jun. 2005), p. 51.

(21) Appl. No.: **29/375,784**

(Continued)

(22) Filed: **Sep. 27, 2010**

Primary Examiner — Susan Moon Lee

(74) *Attorney, Agent, or Firm* — Gardere Wynne Sewell, LLP

Related U.S. Application Data

(63) Continuation of application No. 29/345,839, filed on Oct. 22, 2009, now Pat. No. Des. 624,707, which is a continuation of application No. 29/296,690, filed on Oct. 25, 2007, now Pat. No. Des. 603,104, which is a continuation of application No. 11/160,611, filed on Jun. 30, 2005, now Pat. No. 7,370,605, which is a continuation-in-part of application No. 09/920,231, filed on Aug. 1, 2001, now Pat. No. 6,920,841.

(57) **CLAIM**

The ornamental design for a fawn feeder, as shown and described.

DESCRIPTION

All the material from the related applications which is essential to the claimed design is included in this application. Any material in the related applications which is not present in this application forms no part of the claimed design.

(51) **LOC (9) Cl.** **30-03**

(52) **U.S. Cl.** **D30/121**

(58) **Field of Classification Search** D30/133, D30/121, 122, 124, 127, 128, 132; 119/51.01, 119/61, 51.04, 53, 57.91, 54, 53.5, 52.4, 119/51.11, 63, 61.2, 52.1, 57.5, 57.6, 51.13, 119/62, 75, 500, 501; 239/7, 687, 379, 397.5; 222/199, 181.1, 181.2, 185.1, 557, 156, 485, 222/486, 548, 555; 220/200, 227, 247, 262; 221/174, 185.1, 289, 295, 296, 559; 454/35; 209/270, 283, 244; 52/194, 192; 49/279, 49/344, 357; D34/28

FIG. 1 is a perspective view of a fawn feeder according to my new design;

FIG. 2 is a left side elevation view of the fawn feeder shown in FIG. 1;

FIG. 3 is a right side elevation view of the fawn feeder shown in FIG. 1;

FIG. 4 is a front elevation view of the fawn feeder shown in FIG. 1;

FIG. 5 is a rear elevation view of the fawn feeder shown in FIG. 1;

FIG. 6 is a top plan view of the fawn feeder shown in FIG. 1; and,

FIG. 7 is a bottom plan view of the fawn feeder shown in FIG. 1.

The broken lines are for illustrative purposes only and form no part of the claimed design. The stem pipe is shown in a broken away style for ease of illustration since the stem pipe's length is not fixed.

See application file for complete search history.

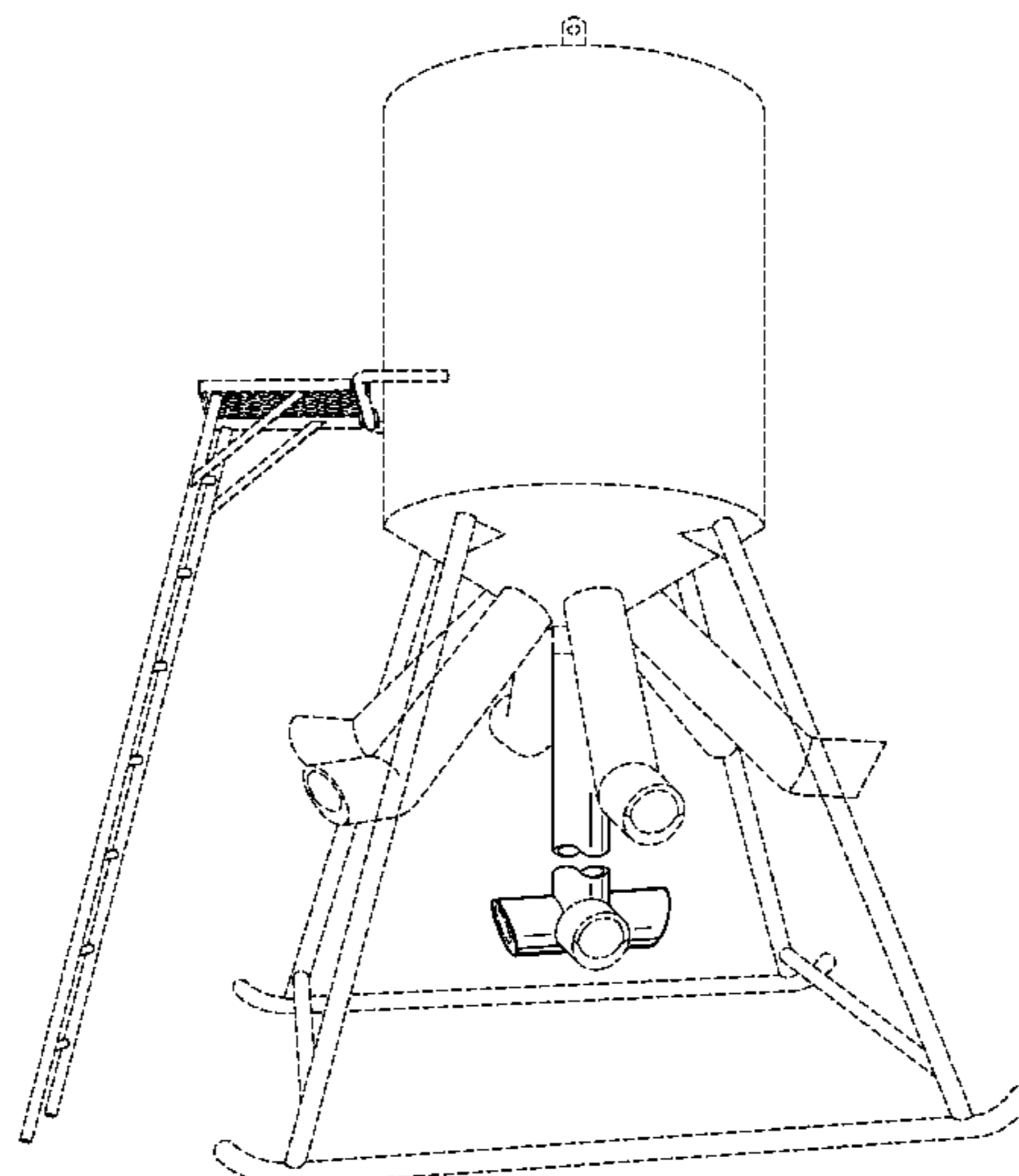
(56) **References Cited**

U.S. PATENT DOCUMENTS

347,416 A 8/1886 Buckingham
411,140 A 9/1889 Farrington et al.

(Continued)

1 Claim, 7 Drawing Sheets



U.S. PATENT DOCUMENTS							
423,712 A	3/1890	Arnold		4,130,302 A *	12/1978	Mitchell et al.	285/113
485,142 A	10/1892	Stephens		4,163,474 A	8/1979	MacDonald et al.	
587,803 A	8/1897	Ewer		D256,623 S	8/1980	Lockwood	
D30,487 S *	4/1899	Hanrahan	D23/263	D258,012 S	1/1981	Murphy	
714,508 A *	11/1902	Moser	166/88.1	D258,013 S	1/1981	Murphy	
1,214,881 A	2/1917	Bemtzen		4,256,054 A	3/1981	Hitchcock	
1,232,447 A *	7/1917	Horne	285/133.11	4,291,809 A	9/1981	Lyon	
1,237,016 A	8/1917	Brown		D262,144 S	12/1981	Sher	
1,239,404 A	9/1917	Knoll, Jr.		D262,408 S	12/1981	Whaling	
1,309,671 A	7/1919	Weaver		4,328,880 A	5/1982	Lapeyre	
1,355,399 A	10/1920	Kelley		4,337,728 A	7/1982	Van Gilst et al.	
1,359,691 A	11/1920	Genuit		4,358,205 A	11/1982	Eakins	
1,561,299 A	11/1925	Banks		4,397,304 A	8/1983	Villain	
1,563,816 A	12/1925	Worthington		D271,090 S	10/1983	Edgar et al.	
D77,948 S	3/1929	Evans		D271,963 S	12/1983	Perkins	
1,781,581 A *	11/1930	Hellyer	285/340	D273,715 S	5/1984	Sher	
D92,312 S	5/1934	Kanter		D275,228 S	8/1984	Nishigaki	
1,982,498 A *	11/1934	Cornell, Jr.	285/133.6	4,508,303 A	4/1985	Beckerer, Jr.	
2,025,973 A *	12/1935	Cornell, Jr.	285/133.3	D279,717 S	7/1985	Mau et al.	
2,121,558 A *	6/1938	Coe et al.	29/890.15	4,538,548 A	9/1985	Page	
2,136,956 A	11/1938	Schmitt		4,542,930 A	9/1985	Adams	
2,191,724 A *	2/1940	Newton	138/37	4,576,350 A *	3/1986	Bond	248/97
D130,381 S	11/1941	Roth		4,580,528 A *	4/1986	Kendall	119/53
2,454,721 A	11/1948	Severance et al.		4,582,023 A *	4/1986	Zumbahlen et al.	119/53.5
D152,655 S	2/1949	Rossell		4,601,414 A	7/1986	Lawson	
2,464,278 A	3/1949	Wilson		4,608,046 A	8/1986	Towfigh	
2,480,034 A *	8/1949	Lapp	285/333	4,621,737 A	11/1986	Casey	
D161,749 S	1/1951	Griner		H176 H	12/1986	Johnstone, Jr.	
2,551,393 A *	5/1951	Pinger	285/133.3	D288,608 S	3/1987	Dahlberg	
D163,955 S	7/1951	McCartney		4,653,195 A	3/1987	Esparza	
2,583,203 A	1/1952	Bergeron		4,707,389 A	11/1987	Ward	
2,619,252 A	11/1952	De Hoffmann		4,719,875 A	1/1988	Van Gilst	
2,638,871 A	5/1953	Ruedemann		D295,091 S	4/1988	Swartzendruber	
2,654,346 A	10/1953	Goff		4,815,621 A	3/1989	Bartis	
D171,639 S	3/1954	Clemens, Jr.		4,859,423 A	8/1989	Perlman	
2,756,032 A	7/1956	Dowell		D305,193 S	12/1989	Sajadieh	
2,760,807 A	8/1956	Watson		D305,804 S	1/1990	Browning et al.	
2,761,597 A	9/1956	Stukey		4,956,821 A	9/1990	Fenelon	
2,808,029 A	10/1957	Geerling		4,971,366 A	11/1990	Towsley	
2,881,947 A	4/1959	Hancock		4,986,220 A	1/1991	Reneau et al.	
2,886,002 A	5/1959	O'Malley et al.		4,997,284 A	3/1991	Tousignant et al.	
D187,929 S	5/1960	Rensch		D319,759 S	9/1991	Bookout	
2,988,047 A	6/1961	Hurdle		D319,794 S	9/1991	Elkins	
3,007,618 A	11/1961	Davis et al.		5,046,765 A *	9/1991	Usui	285/197
3,034,480 A	5/1962	French		5,061,180 A	10/1991	Wiele	
D194,594 S	2/1963	Juculano		5,069,164 A	12/1991	Wiwi	
3,104,778 A	9/1963	Leonard		5,086,730 A	2/1992	Figley	
3,119,411 A *	1/1964	Bock et al.	137/855	5,090,743 A	2/1992	Obering	
3,128,560 A	4/1964	McKenzie		D326,741 S	6/1992	Powers	
3,131,511 A	5/1964	Deaner		5,130,496 A	7/1992	Jenkins	
3,318,473 A	5/1967	Jones et al.		5,143,289 A	9/1992	Gresham et al.	
3,386,756 A	6/1968	Primm		5,183,298 A	2/1993	Harrington	
3,487,433 A	12/1969	Fleming		D333,841 S	3/1993	Henricksen	
3,515,098 A	6/1970	Thurmond		5,195,459 A	3/1993	Ancketill	
3,527,483 A *	9/1970	Dashner	285/197	D336,554 S	6/1993	Reeder	
3,613,641 A	10/1971	Geerlings		5,218,784 A	6/1993	Pollock	
3,636,983 A	1/1972	Keyser		D340,516 S	10/1993	Too	
3,655,011 A	4/1972	Willett		5,257,826 A *	11/1993	Prassas et al.	285/148.19
3,658,211 A	4/1972	Kitchens		5,273,454 A	12/1993	Shotey	
D226,507 S	3/1973	Wright		5,275,131 A	1/1994	Brake et al.	
3,720,235 A	3/1973	Schrock		5,333,572 A	8/1994	Nutt	
3,730,142 A	5/1973	Kahrs et al.		5,339,996 A	8/1994	Dubbert et al.	
3,780,701 A	12/1973	Wentworth, Sr.		5,372,093 A	12/1994	Poosh	
3,820,826 A *	6/1974	Ligon et al.	285/55	5,405,047 A	4/1995	Hansen	
D232,552 S	8/1974	Watson		5,410,986 A	5/1995	Washam	
3,856,315 A	12/1974	Stansbury		5,435,267 A	7/1995	Patterson	
3,873,391 A	3/1975	Plauka et al.		5,450,677 A	9/1995	Casey	
D237,001 S	9/1975	Von Serda		5,464,257 A	11/1995	Riddles et al.	
3,902,460 A	9/1975	Franklin		D367,093 S	2/1996	Weir	
3,924,881 A *	12/1975	O'Connor	285/133.21	D367,517 S *	2/1996	Sabio et al.	D23/235
3,976,314 A *	8/1976	Graham	285/238	5,503,090 A *	4/1996	Guzan	111/7.2
3,977,045 A	8/1976	Saurenman		D371,228 S	6/1996	Monin	
D242,933 S	1/1977	Brubaker et al.		5,533,646 A	7/1996	Dildine	
D243,559 S	3/1977	Hoyle et al.		5,544,764 A	8/1996	Cima	
D244,857 S	6/1977	Hayes		D373,659 S	9/1996	Miller	
D245,048 S	7/1977	Pool		D375,159 S	10/1996	Johansson	
D245,368 S	8/1977	Mueller		5,570,547 A	11/1996	Webb et al.	
D246,603 S	12/1977	Frost		5,599,016 A *	2/1997	Larkin	473/448
				D382,748 S	8/1997	Riskey	

US D636,942 S

5,655,671 A	8/1997	Barry et al.		D543,666 S	5/2007	Ross et al.	
5,662,630 A	9/1997	Raynie		7,214,028 B2	5/2007	Boasso et al.	
5,666,260 A	9/1997	Pasmanik et al.		D545,742 S	7/2007	Kinoshita	
D386,137 S	11/1997	Bailey		D548,589 S	8/2007	Blasko et al.	
5,699,753 A	12/1997	Aldridge, III		D548,890 S	8/2007	Chen	
5,730,302 A	3/1998	Groene		D549,313 S	8/2007	Kelnhoffer	
5,740,757 A	4/1998	Smeester		D550,697 S *	9/2007	Gusmorino et al.	D14/492
D394,178 S	5/1998	Gremchuck		D551,965 S	10/2007	Blasko et al.	
5,753,158 A	5/1998	Orsing		D558,111 S	12/2007	Banks, III	
D397,527 S	8/1998	Bruder et al.		7,302,912 B2	12/2007	Boyer	
5,794,561 A	8/1998	Schulz		7,311,223 B2	12/2007	Post	
D401,016 S	11/1998	Holliday		D559,470 S	1/2008	Stevens et al.	
5,862,777 A	1/1999	Sweeney		D562,557 S	2/2008	Lewis	
5,876,282 A	3/1999	Kenny		7,370,605 B2	5/2008	Meritt	
5,901,497 A	5/1999	Bulvin		D574,309 S	8/2008	Unfried et al.	
5,901,886 A	5/1999	Grindstaff et al.		D574,932 S	8/2008	Zhuang	
5,906,174 A	5/1999	Muldoon		D575,556 S	8/2008	Rohkar, Jr.	
5,934,222 A	8/1999	Hwang		D575,908 S	8/2008	Meritt	
5,979,717 A	11/1999	Dalton et al.		D579,392 S *	10/2008	Saracoglu	D12/194
D417,614 S	12/1999	Chu		7,475,796 B2	1/2009	Garton	
D420,316 S	2/2000	Hanlon et al.		D587,366 S	2/2009	Turkat	
D421,650 S	3/2000	Liao		D588,166 S	3/2009	Lyons, III	
D421,821 S	3/2000	Kinjerski		7,497,400 B2 *	3/2009	Skinner	242/588.2
D423,436 S *	4/2000	Larson	D12/194	D598,354 S	8/2009	Nakazawa et al.	
D426,734 S	6/2000	Fuchs		D598,602 S	8/2009	Laarman	
6,073,587 A	6/2000	Hill et al.		D599,503 S	9/2009	Meritt	
6,082,300 A	7/2000	Futch		D602,649 S *	10/2009	Meritt	D30/121
6,142,100 A	11/2000	Marchioro		D603,104 S	10/2009	Meritt	
D436,861 S	1/2001	Sagel et al.		D603,105 S	10/2009	Meritt	
6,199,509 B1	3/2001	Mostyn et al.		D603,566 S	11/2009	Meritt	
6,202,284 B1 *	3/2001	Joblin	29/516	D604,017 S	11/2009	Meritt	
D445,062 S	7/2001	Wong		7,686,346 B1 *	3/2010	Buccicone et al.	285/133.21
D445,170 S	7/2001	Speicher		7,735,454 B1 *	6/2010	Stoppelberg	119/52.4
6,283,159 B1	9/2001	Tada		D622,453 S *	8/2010	Meritt	D30/133
D450,456 S	11/2001	Warren, III		D624,706 S	9/2010	Meritt	
6,328,184 B1	12/2001	Krol		D624,707 S *	9/2010	Meritt	D30/121
6,329,602 B1	12/2001	Ushiyama et al.		D624,708 S	9/2010	Meritt	
6,364,125 B1	4/2002	D'Angelo		D624,709 S	9/2010	Meritt	
D458,201 S	6/2002	Warren		D629,009 S *	12/2010	O'Donnell et al.	D14/492
D460,726 S	7/2002	Campbell et al.		D629,572 S	12/2010	Meritt	
6,435,134 B1	8/2002	Ho		D629,975 S	12/2010	Meritt	
6,439,158 B1	8/2002	Blohm		D629,976 S	12/2010	Meritt	
D464,875 S	10/2002	Koppang		2001/0035473 A1 *	11/2001	Patton	242/397.2
D466,809 S	12/2002	Sagel		2002/0134850 A1	9/2002	Hollenberg	
6,488,511 B1	12/2002	Stewart		2005/0224126 A1	10/2005	Otani et al.	
6,510,813 B1	1/2003	Boone, Jr.		2005/0229860 A1	10/2005	Meritt	
D469,926 S	2/2003	Petrucelli		2005/0269367 A1	12/2005	Post	
D476,451 S	6/2003	Morgan, Sr.		2006/0048712 A1	3/2006	Boyer	
6,591,990 B2	7/2003	Lanman et al.		2006/0060148 A1	3/2006	Boyer	
6,622,653 B1	9/2003	Starnes, Jr.		2006/0283396 A1	12/2006	Hernandez	
6,637,595 B1	10/2003	Frossard et al.		2007/0028844 A1	2/2007	Bodenstab et al.	
D486,946 S	2/2004	Castro		2008/0178815 A1	7/2008	Meritt	
D487,170 S	2/2004	Petrucelli		2008/0178816 A1	7/2008	Meritt	
6,691,640 B1	2/2004	Huckabee					
D488,114 S *	4/2004	Kulla	D12/194				
D488,889 S	4/2004	Walsh					
D490,352 S	5/2004	Ward					
6,763,781 B1	7/2004	Norrell					
D494,384 S	8/2004	Chandaria					
D495,186 S	8/2004	Poupel et al.					
6,786,180 B1	9/2004	Cheng					
D504,309 S	4/2005	Fuchs					
6,904,690 B2	6/2005	Bakke et al.					
6,920,841 B2	7/2005	Meritt					
6,959,664 B1	11/2005	Keuter et al.					
D520,423 S	5/2006	Poole					
7,059,355 B2	6/2006	Otani et al.					
D525,657 S	7/2006	Warren, III					
D528,488 S	9/2006	Webb					
7,143,721 B2	12/2006	Robbins					
D534,469 S	1/2007	Murkett					
D534,848 S *	1/2007	Murkett	D12/194				
7,165,796 B1	1/2007	Hung					
D539,715 S *	4/2007	Lai	D12/194				
D540,231 S	4/2007	Braun et al.					
D540,812 S *	4/2007	Gusmorino et al.	D14/492				
7,204,201 B2	4/2007	Leombruno					
D541,718 S	5/2007	Emler					
D542,533 S	5/2007	Yang					

FOREIGN PATENT DOCUMENTS

GB 2193782 A 2/1988

OTHER PUBLICATIONS

Advertisement (Mumme's Inc.) (1 page), The Journal of the Texas Trophy Hunters Association, Jan./Feb. 2005, on reverse side of p. 74.

Advertisement (Sweeney Automated Feeding Systems) (2 pages, front and back) (date referenced Jan. 1-Feb. 28, 2005).

Internet web site (Atascosa Wildlife Supply) (2 pages); <http://www.atascosawildlifesupply.com/feeders.html> (Mar. 8, 2005).

Advertisement (Atascosa Wildlife Supply) (2 pages); the Journal of the Texas Trophy Hunters Association, May/Jun. 2005 (reverse sides of pp. 23 and 26).

Advertisement (Texas Wildlife Supply) (1 pages), The Journal of the Texas Trophy Hunters Association, May/Jun. 2005 (reverse side of p. 174).

Internet web site (American Hunter Outdoor Products) (15 pages); <http://www.americanhunterfeeders.com> (Feb. 24, 2005).

Internet web site (Mumme's Inc.) (1 pages); <http://www.mummesinc.com> (Feb. 24, 2005).

Internet web site (Boss Game Systems) (3 pages); <http://www.bossgamesystems.com> (Oct. 6, 2005).

Advertisement (American Hunter Outdoor Products) (1 page), The Journal of the Texas Trophy Hunters Association, May/June 2005, on reverse side of p. 155.

"Introduction to Welding," Materials Engineering Group.; Copyright 1997 Materials Engineering (UK) Ltd.; <http://www.meg.co.uk/meg/app01.htm>.

"Welding," Microsoft Encarta Online Encyclopedia 2002; <http://encarta.msn.com> (1997-2002) Microsoft Corporation.

"Fair Special, 2000# Capacity Gravity Flow Protein Feeder," and Photo, Sycamore Springs Ranch, Approximately Oct. 2005.

Advertisement (Rick Meritt; Outback Wildlife Feeders); The Journal of the Texas Trophy Hunters, Sep./Oct. 2007, vol. 32, No. 5 (3pp).

Advertisement (Rick Meritt; Outback Wildlife Feeders); The Journal of the Texas Trophy Hunters, Jul./Aug. 2006, vol. 31, No. 4 (3pp).

Advertisement (Rick Meritt; Outback Wildlife Feeders); The Journal of the Texas Trophy Hunters, Sep./Oct. 2005, vol. 30, No. 5 (3pp).

Advertisement (Rick Meritt; Outback Wildlife Feeders); The Journal of the Texas Trophy Hunters, Sep./Oct. 2001, vol. 26, No. 5 (2pp).

Advertisement (Rick Meritt; Outback Wildlife Feeders); The Journal of the Texas Trophy Hunters, Sep./Oct. 2002, vol. 27, No. 5 (2pp).

Advertisement (Rick Meritt; Outback Wildlife Feeders); The Journal of the Texas Trophy Hunters, Sep./Oct. 2003, vol. 28, No. 5 (2pp).

Advertisement (Rick Meritt; Outback Wildlife Feeders); The Journal of the Texas Trophy Hunters, Sep./Oct. 2004, vol. 29, No. 5 (2pp).

* cited by examiner

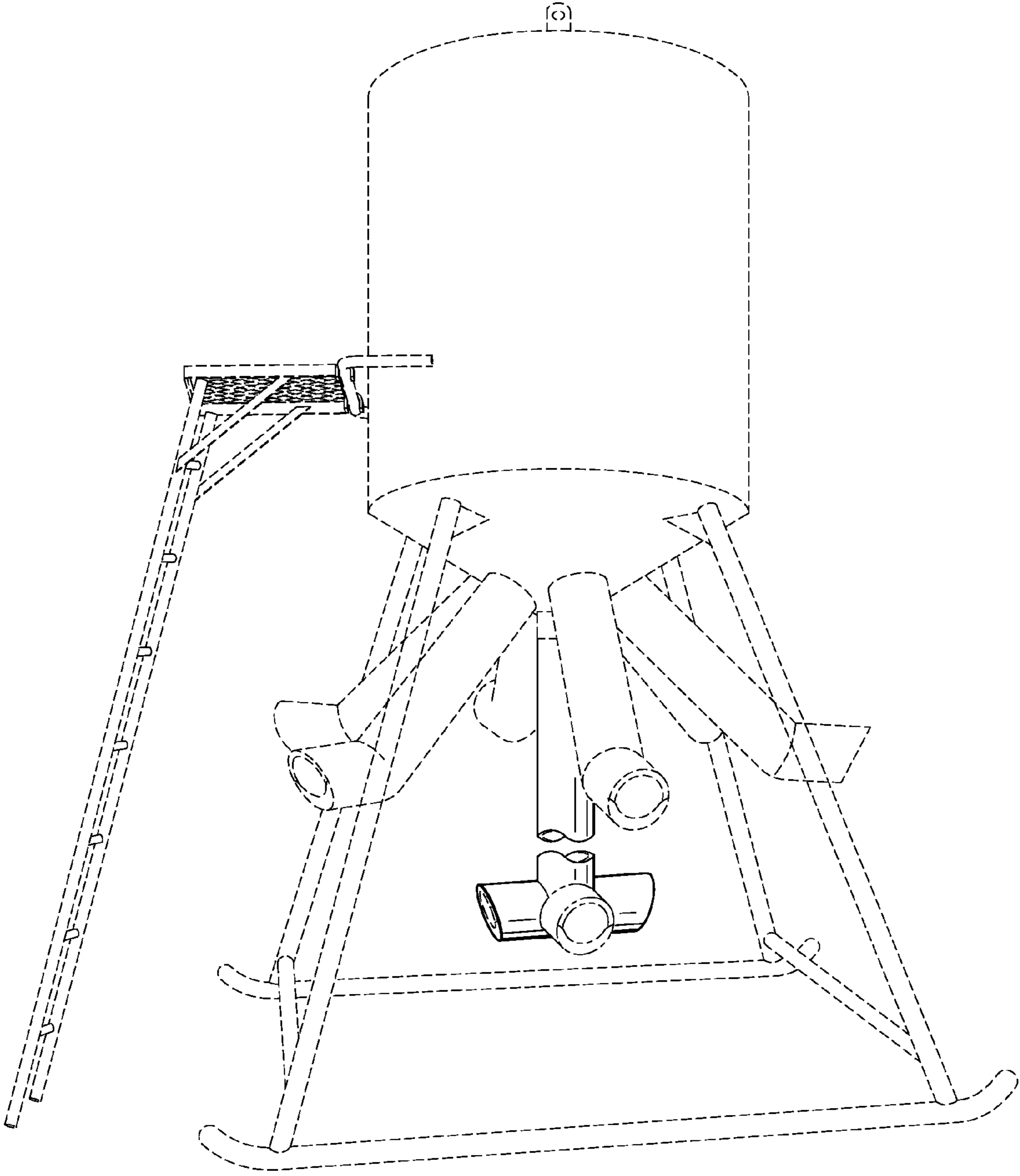


FIG. 1

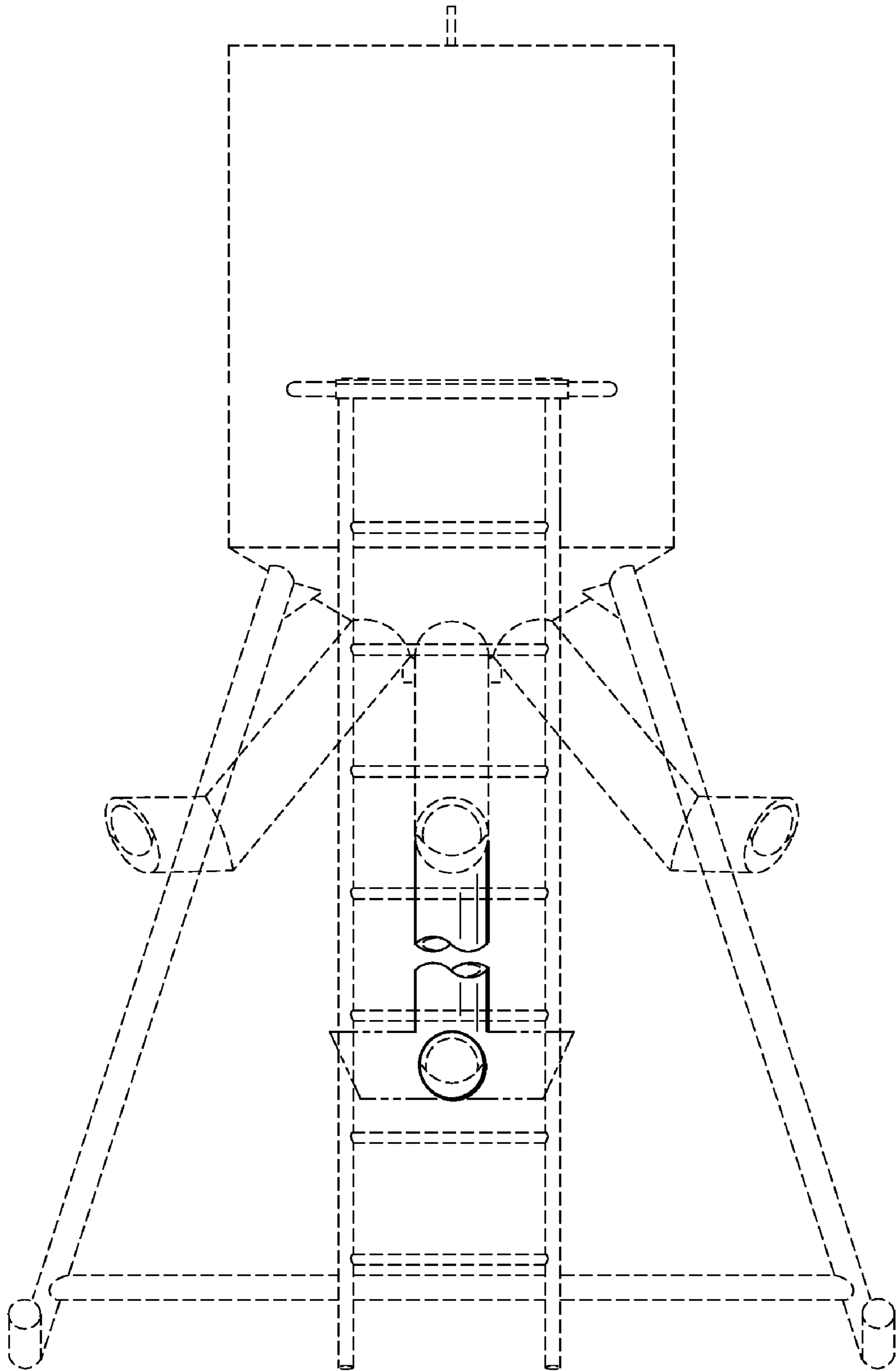


FIG. 2

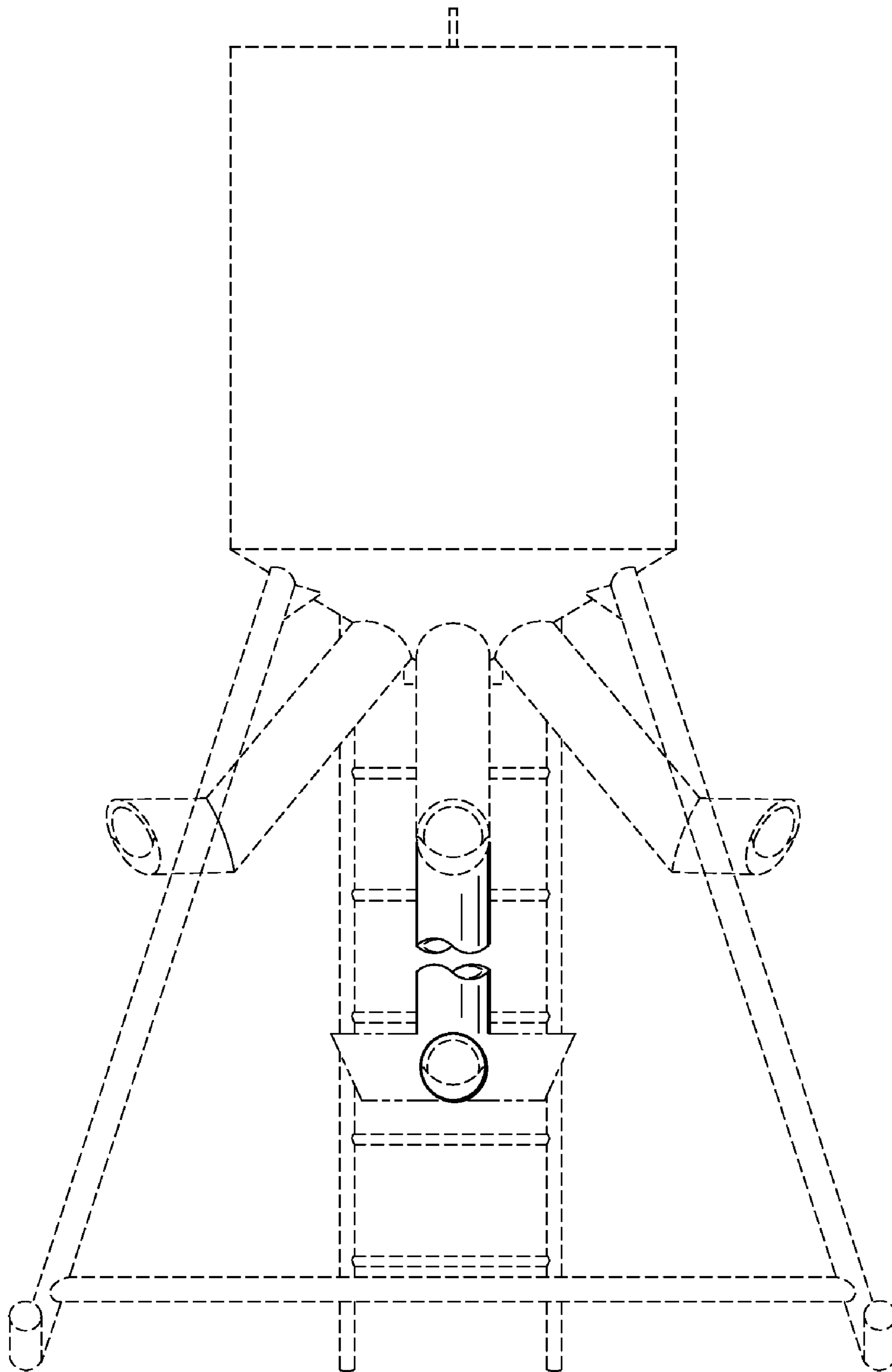


FIG. 3

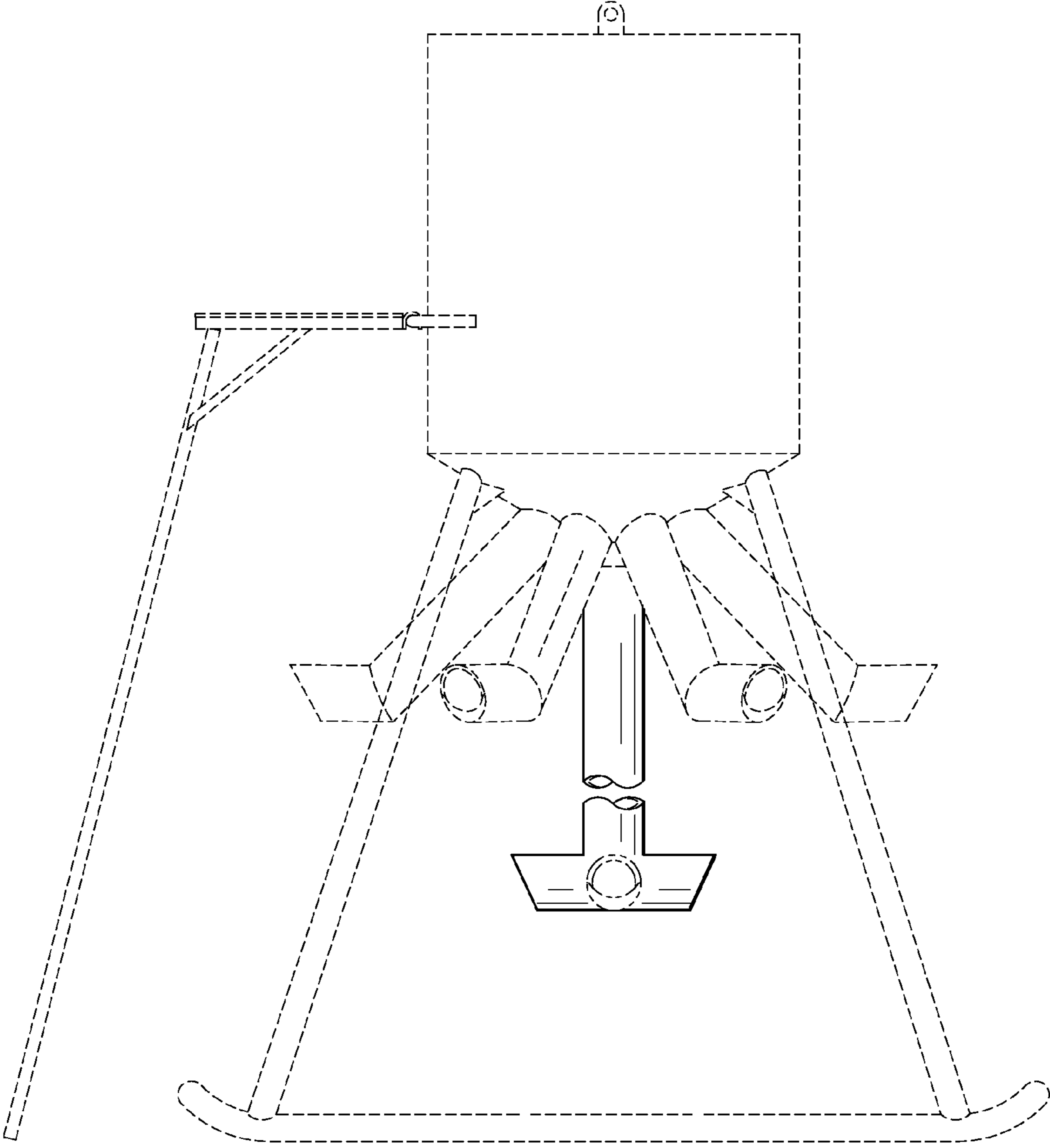


FIG. 4

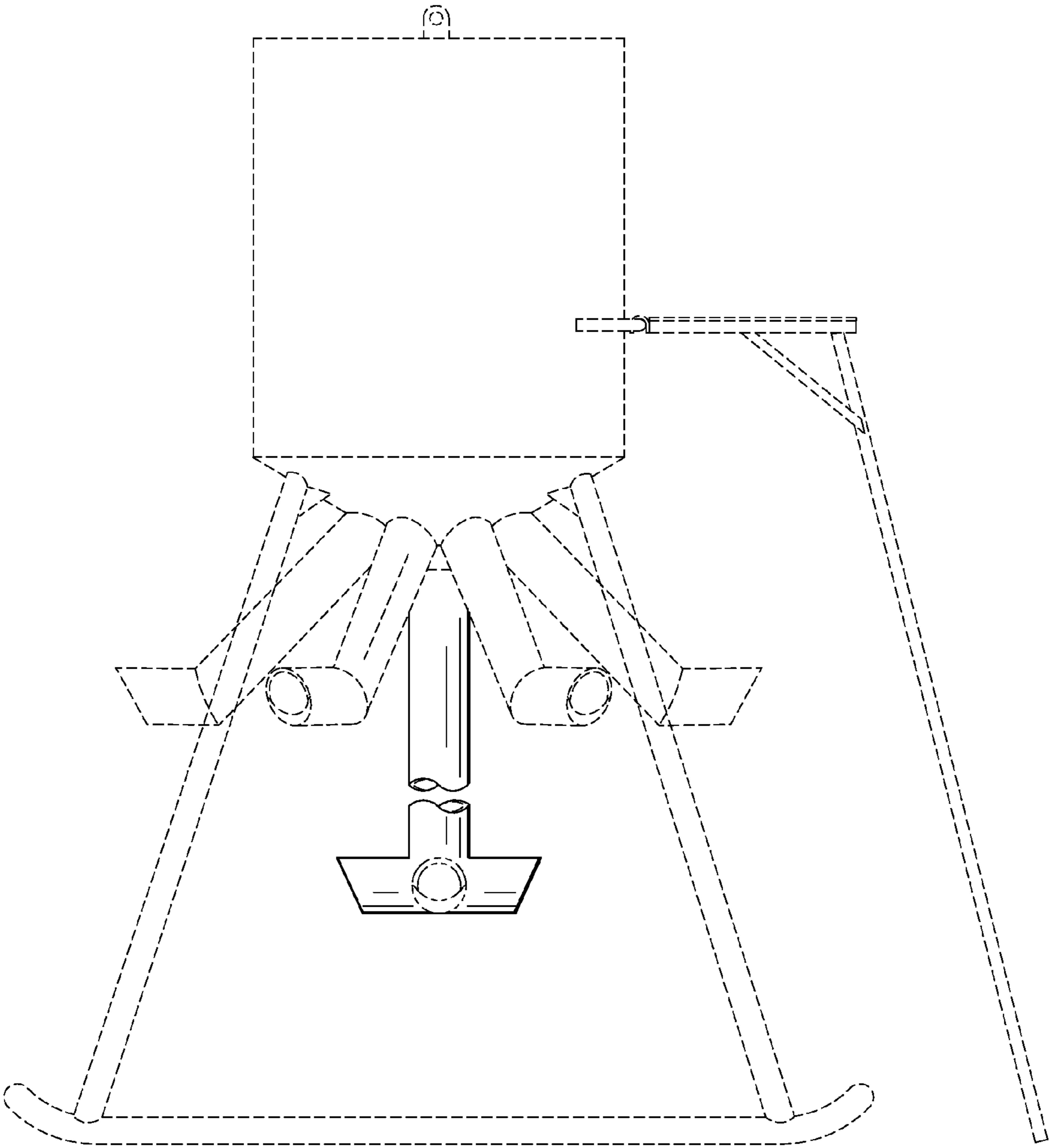


FIG. 5

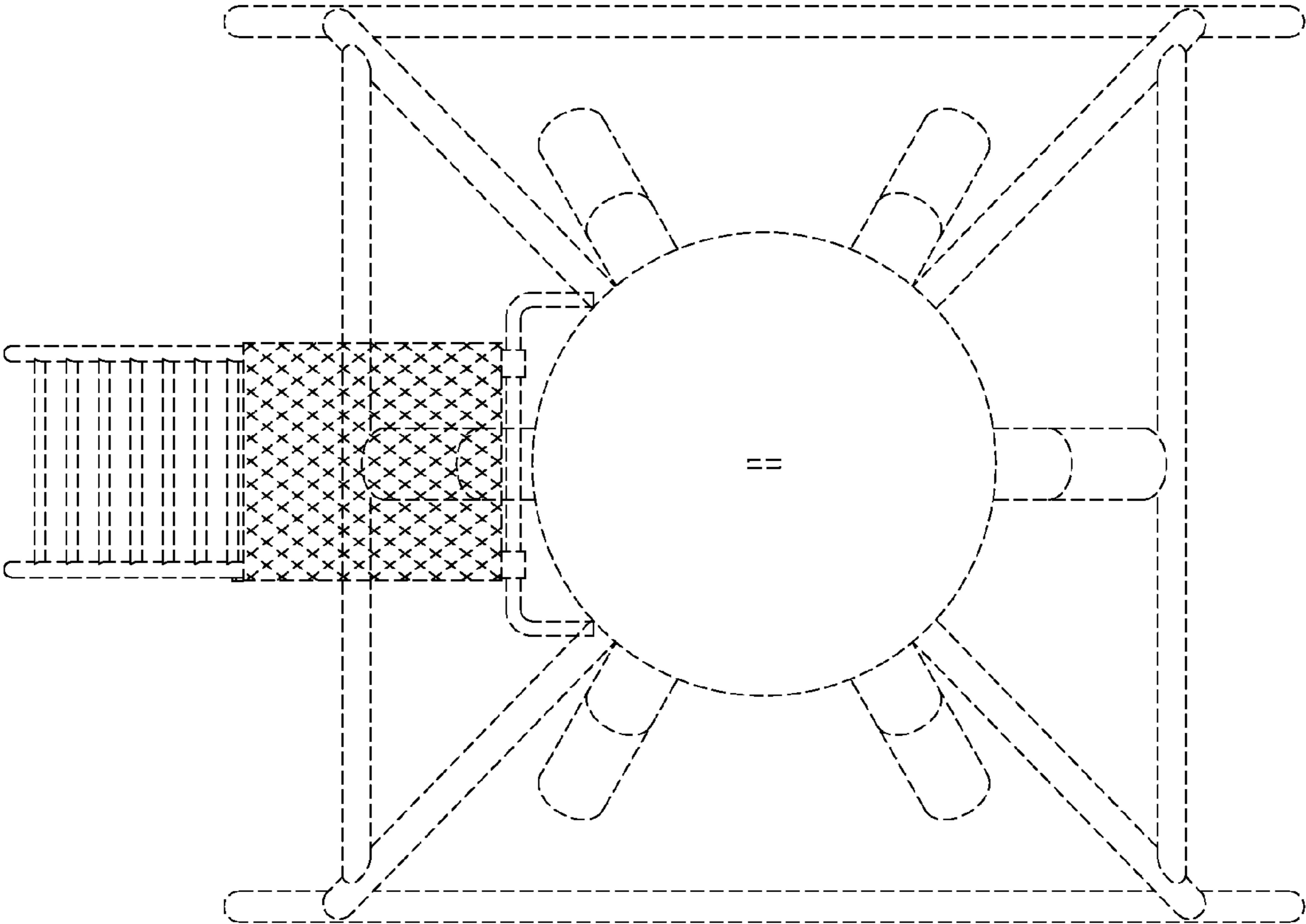


FIG. 6

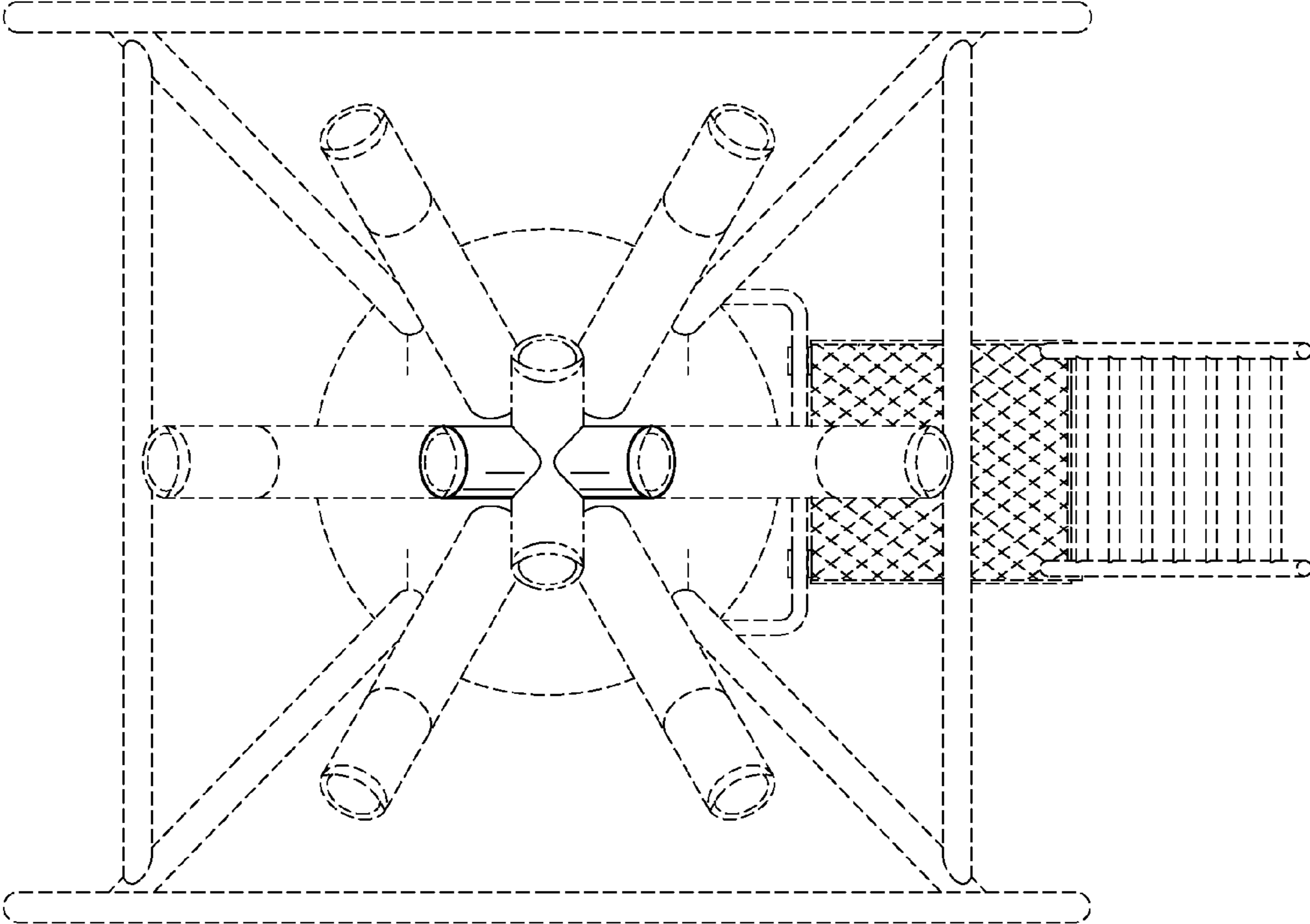


FIG. 7