



US00D636931S

(12) **United States Design Patent**
de The et al.

(10) **Patent No.:** **US D636,931 S**

(45) **Date of Patent:** **** Apr. 26, 2011**

(54) **SMOKING ARTICLE PACK**

(75) Inventors: **Tanneguy Blaudin de The**, Tours (FR);
John England, Mamaroneck, NY (US);
Steven Holford, London (GB)

(73) Assignee: **British American Tobacco (Holdings) Limited**, London (GB)

(**) Term: **14 Years**

(21) Appl. No.: **29/379,054**

(22) Filed: **Nov. 12, 2010**

Related U.S. Application Data

(62) Division of application No. 29/329,849, filed on Dec. 22, 2008, now Pat. No. Des. 629,155.

(51) **LOC (9) Cl.** **27-06**

(52) **U.S. Cl.** **D27/189; D9/423**

(58) **Field of Classification Search** 229/160.1;
D27/186-191; D9/430-433, 424-428;
206/236-241, 242-276

See application file for complete search history.

(56) **References Cited**

U.S. PATENT DOCUMENTS

2,361,597 A * 10/1944 Buttery 229/225
D218,793 S * 9/1970 Rushlow D27/189
5,487,468 A * 1/1996 Sheahan 206/242

D448,888 S * 10/2001 Focke et al. D27/189
6,343,691 B1 * 2/2002 Focke et al. 206/268
D474,856 S * 5/2003 Hatto D27/189
D499,646 S * 12/2004 Gibbs et al. D9/433
D601,748 S * 10/2009 Pipes et al. D27/189
D613,903 S * 4/2010 Wu et al. D27/189
2001/0030135 A1 * 10/2001 Fath et al. 206/247
2004/0020798 A1 * 2/2004 Draghetti 206/271
2009/0308766 A1 * 12/2009 Polloni et al. 206/264

FOREIGN PATENT DOCUMENTS

WO DM054252 * 4/2000

* cited by examiner

Primary Examiner — Jennifer Rivard

(74) *Attorney, Agent, or Firm* — Chadbourne & Parke LLP;
Walter G. Hanchuk

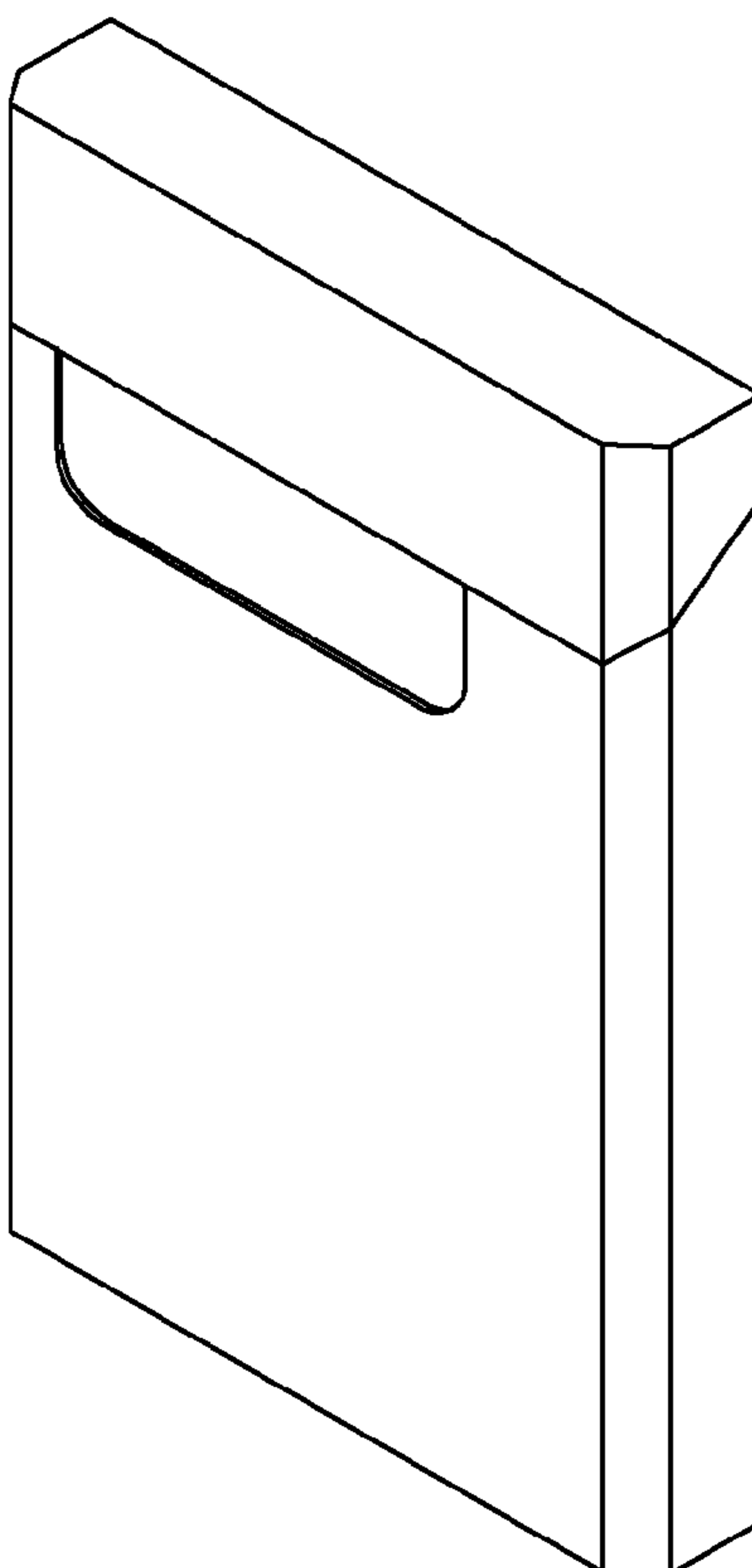
(57) **CLAIM**

The ornamental design for a smoking article pack, as shown and described.

DESCRIPTION

FIG. 1 is a front top right perspective view of an embodiment of the smoking article pack;
FIG. 2 is a front view thereof;
FIG. 3 is a rear view thereof;
FIG. 4 is a right side view thereof;
FIG. 5 is a left side view thereof;
FIG. 6 is a bottom view thereof; and,
FIG. 7 is a top view thereof.

1 Claim, 2 Drawing Sheets



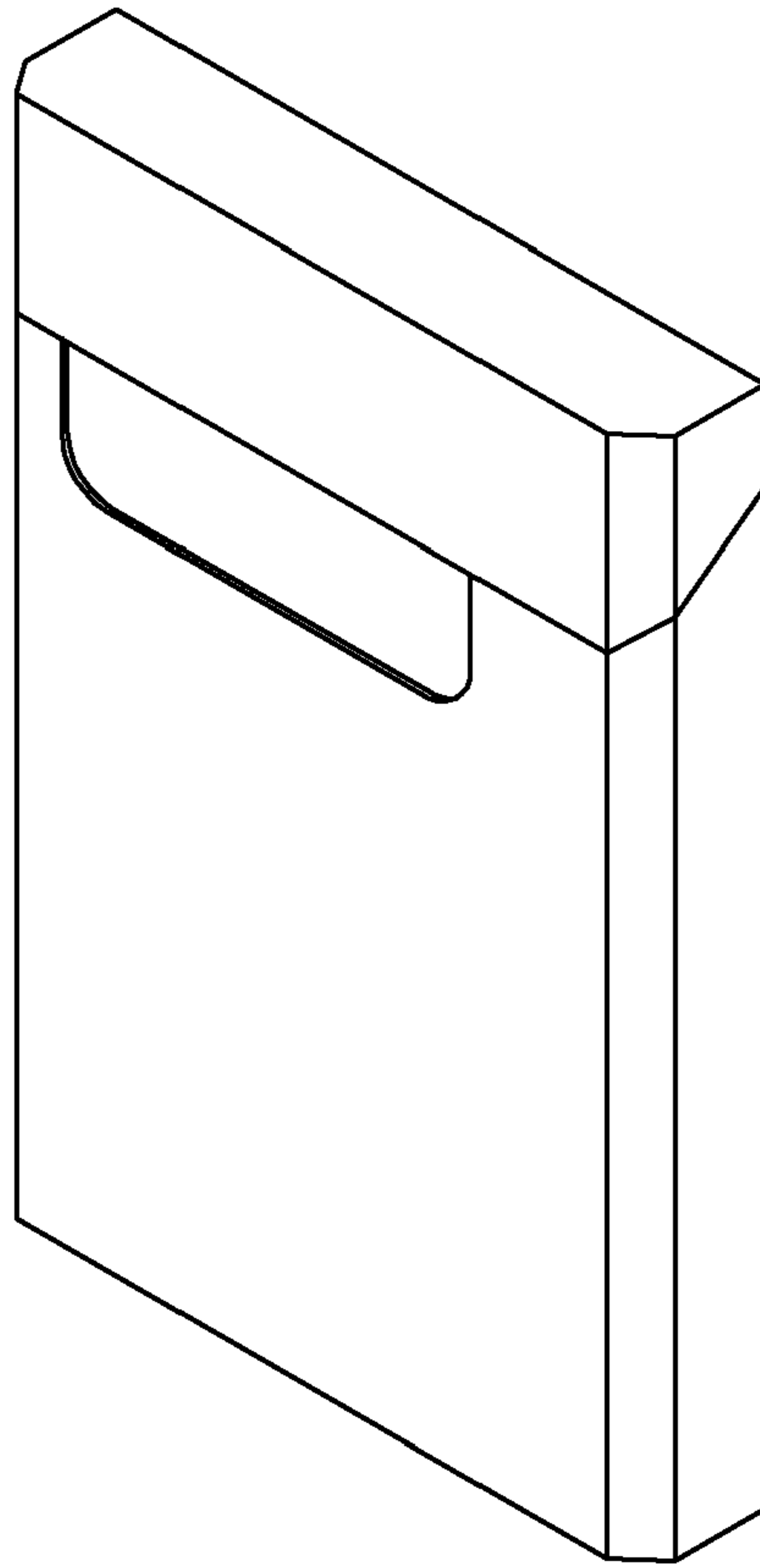


Fig. 1

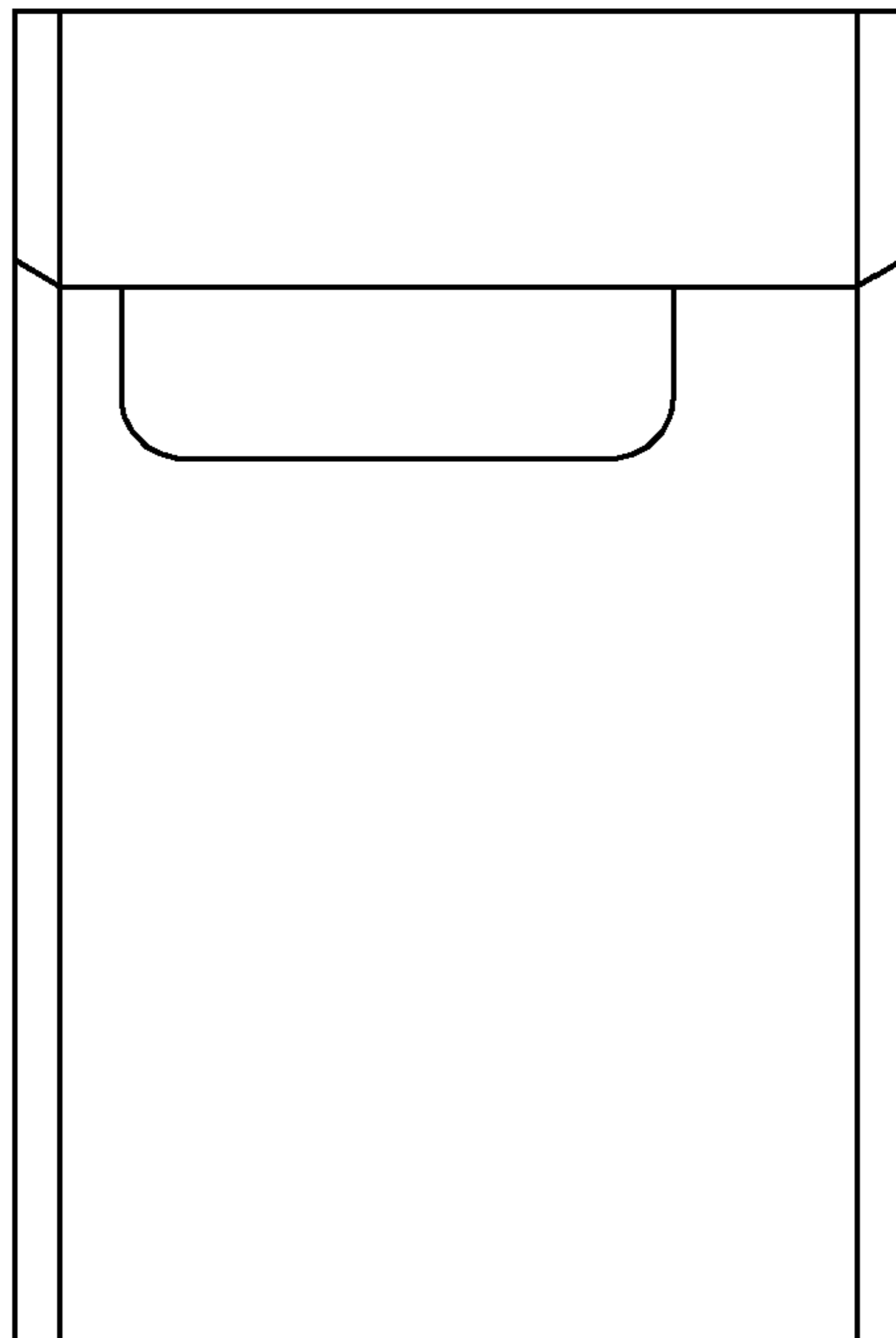


Fig. 2

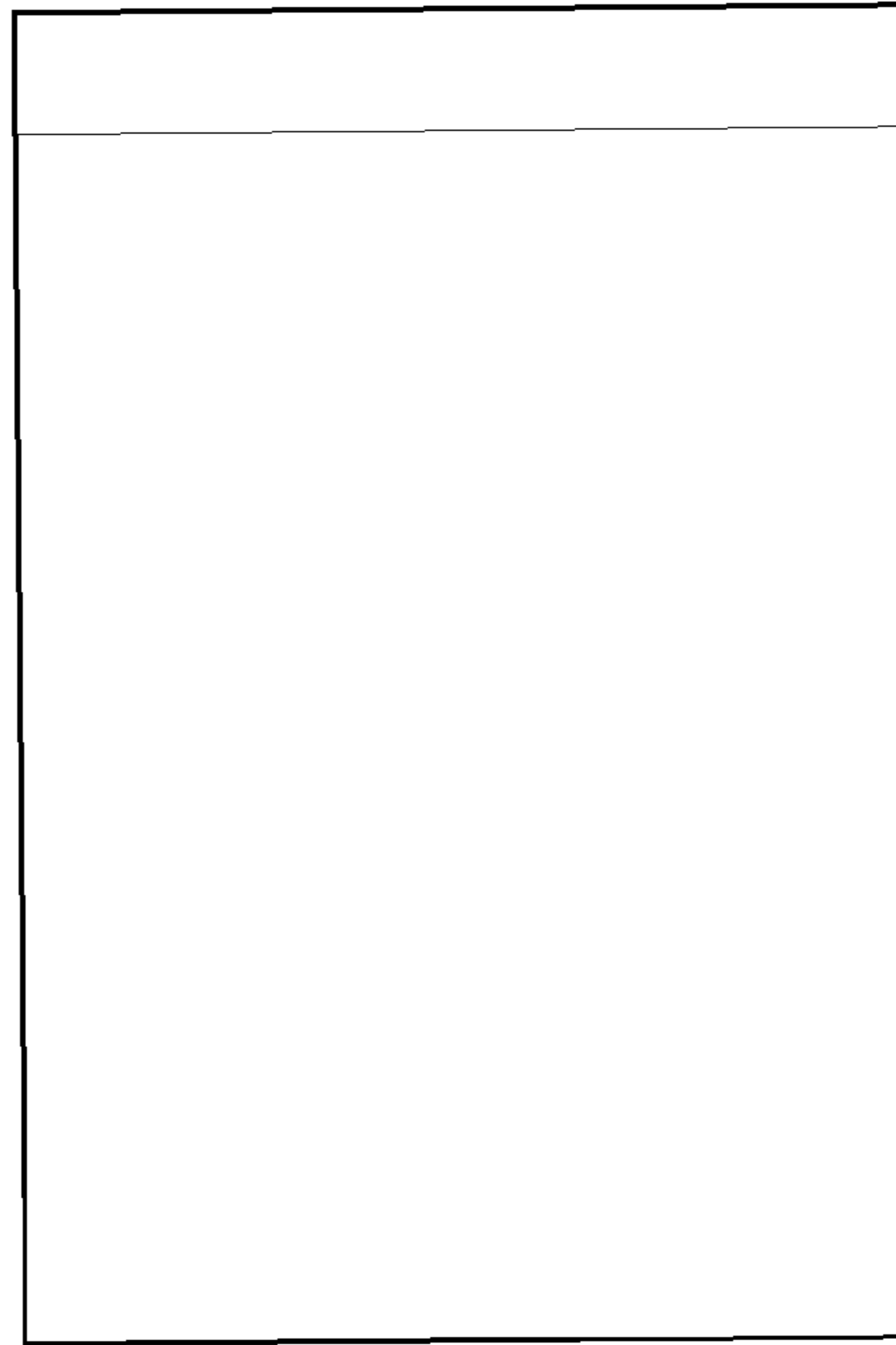


Fig. 3

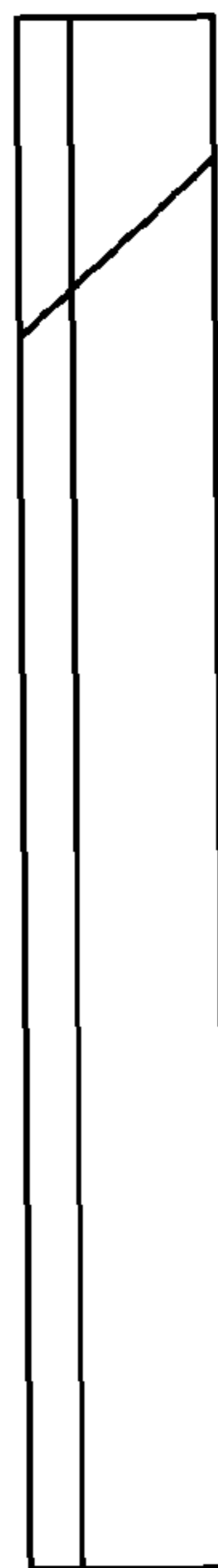


Fig. 4

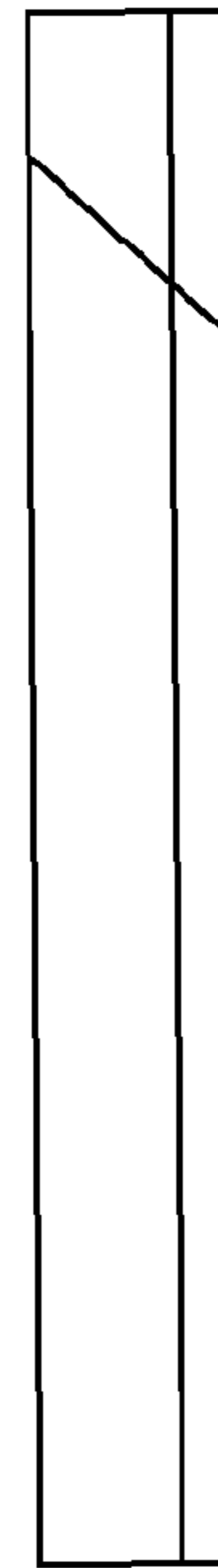


Fig. 5

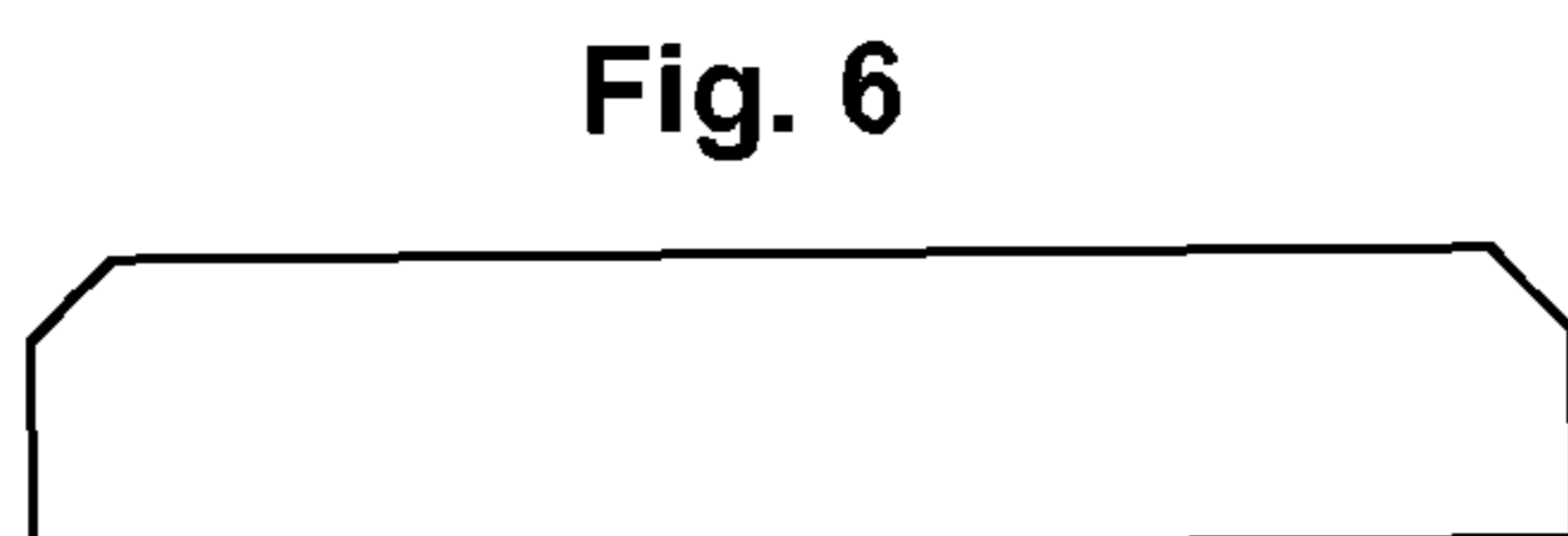


Fig. 6

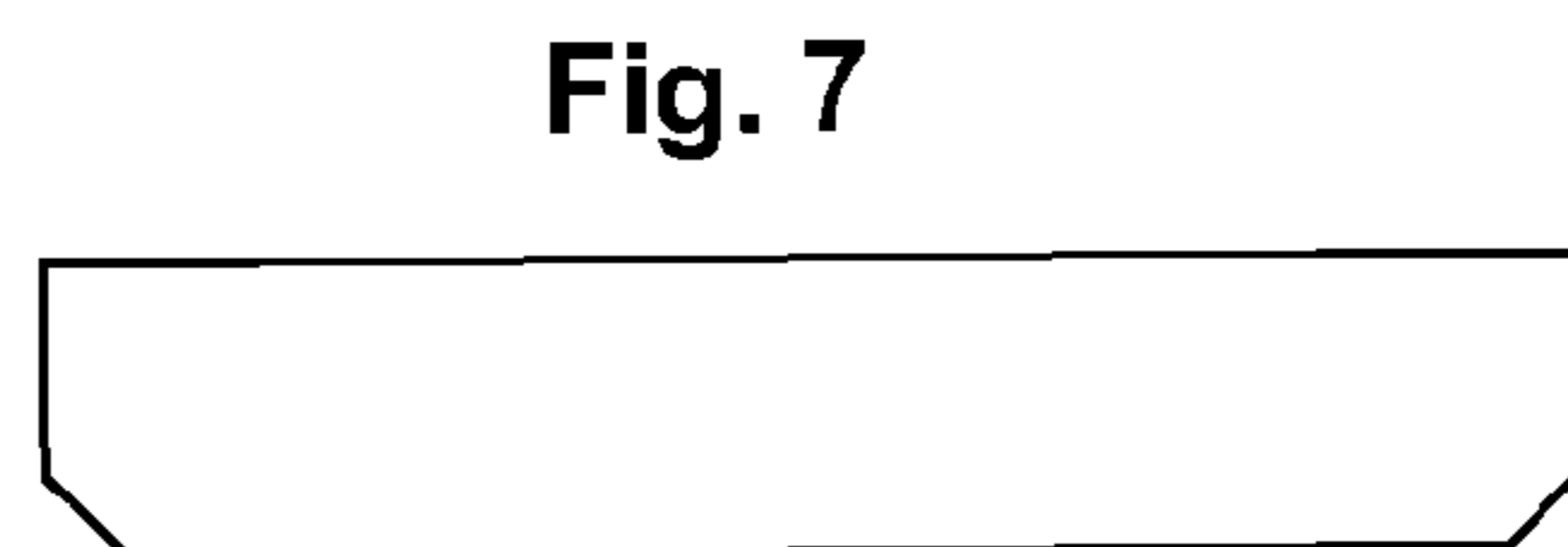


Fig. 7

UNITED STATES PATENT AND TRADEMARK OFFICE
CERTIFICATE OF CORRECTION

PATENT NO. : D636,931 S
APPLICATION NO. : 29/379054
DATED : April 26, 2011
INVENTOR(S) : Tanneguy Blaudin de The et al.

Page 1 of 1

It is certified that error appears in the above-identified patent and that said Letters Patent is hereby corrected as shown below:

On the Title Page:

Item (73) Assignee

“British American Tobacco (Holdings) Limited” should read --British-American Tobacco (Holdings)
Limited--

Signed and Sealed this
Sixth Day of October, 2015



Michelle K. Lee
Director of the United States Patent and Trademark Office