



US00D636930S

(12) **United States Design Patent**
Park

(10) **Patent No.:** **US D636,930 S**

(45) **Date of Patent:** **** *Apr. 26, 2011**

(54) **LIGHTER**

D592,352 S * 5/2009 Chuan D27/157
D592,802 S * 5/2009 Chuan D27/154
D616,603 S * 5/2010 Chuan D27/139

(75) Inventor: **Keith K. Park**, La Canada Flintridge,
CA (US)

(73) Assignee: **Prometheus International, Inc.**,
Commerce, CA (US)

(**) Term: **14 Years**

(21) Appl. No.: **29/363,873**

(22) Filed: **Jun. 15, 2010**

(51) **LOC (9) Cl.** **27-05**

(52) **U.S. Cl.** **D27/157**

(58) **Field of Classification Search** D7/416;
D27/131-161; 431/253-256, 129, 143, 153,
431/273-277

See application file for complete search history.

(56) **References Cited**

U.S. PATENT DOCUMENTS

D463,616 S * 9/2002 Kim D27/154
D466,644 S * 12/2002 Cohen Harel D27/141
D515,735 S * 2/2006 Smith D27/157
D538,463 S * 3/2007 Chuang D27/143
D539,473 S * 3/2007 Almsberger et al. D27/157

OTHER PUBLICATIONS

PROMETHEUS Fall 2000 Catalog, Invader, p. 25.

* cited by examiner

Primary Examiner — Jennifer Rivard

(74) *Attorney, Agent, or Firm* — Knobbe, Martens, Olson &
Bear, LLP

(57) **CLAIM**

The ornamental design for a lighter, as shown and described.

DESCRIPTION

FIG. 1 is a front perspective view of a lighter embodying my new design.

FIG. 2 is a front elevational view of the lighter of FIG. 1.

FIG. 3 is a rear elevational view of the lighter of FIG. 1.

FIG. 4 is a left-side elevational view of the lighter of FIG. 1.

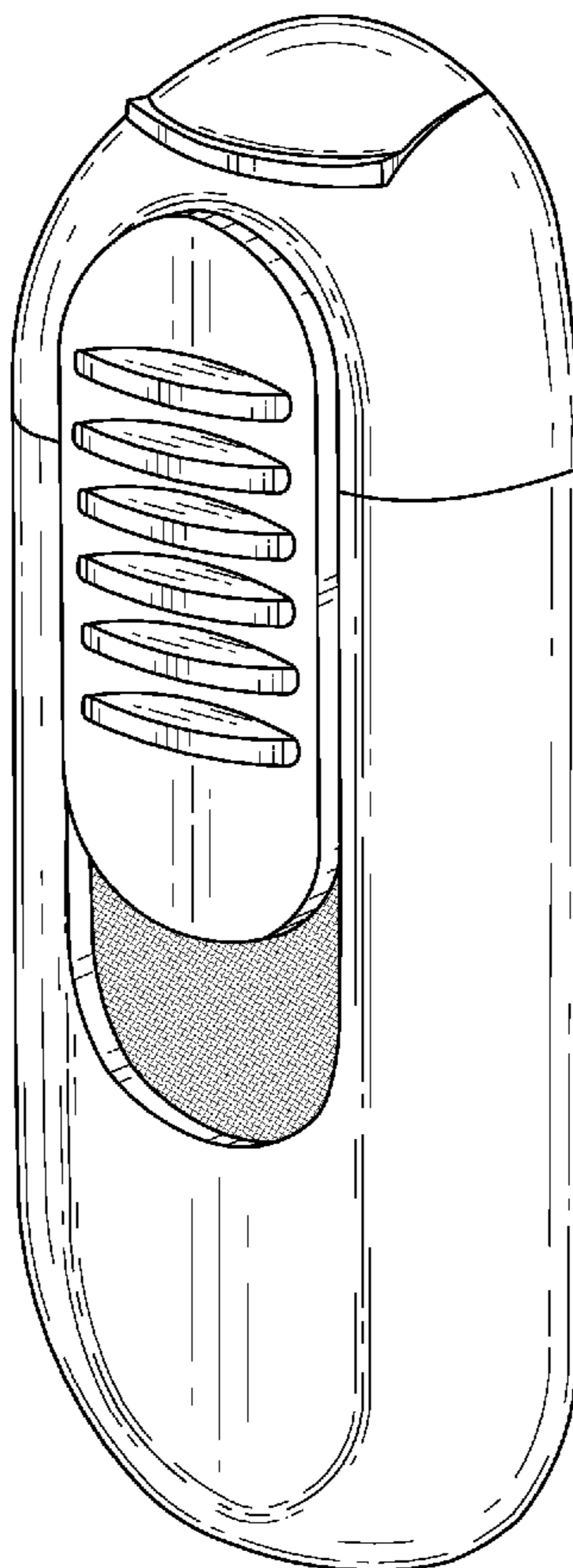
FIG. 5 is a right-side elevational view of the lighter of FIG. 1.

FIG. 6 is a top plan view of the lighter of FIG. 1; and,

FIG. 7 is a bottom plan view of the lighter of FIG. 1.

The broken lines shown in the drawings illustrate portions of the lighter and form no part of the claimed design.

1 Claim, 3 Drawing Sheets



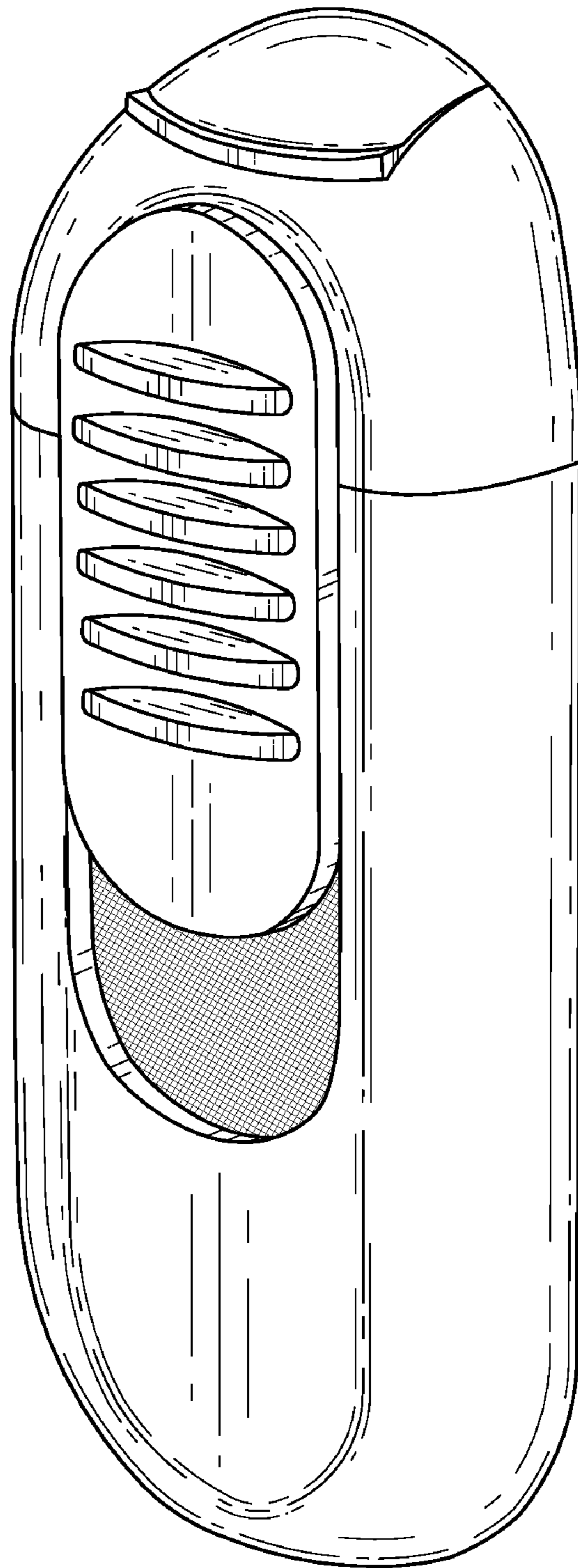


FIG. 1

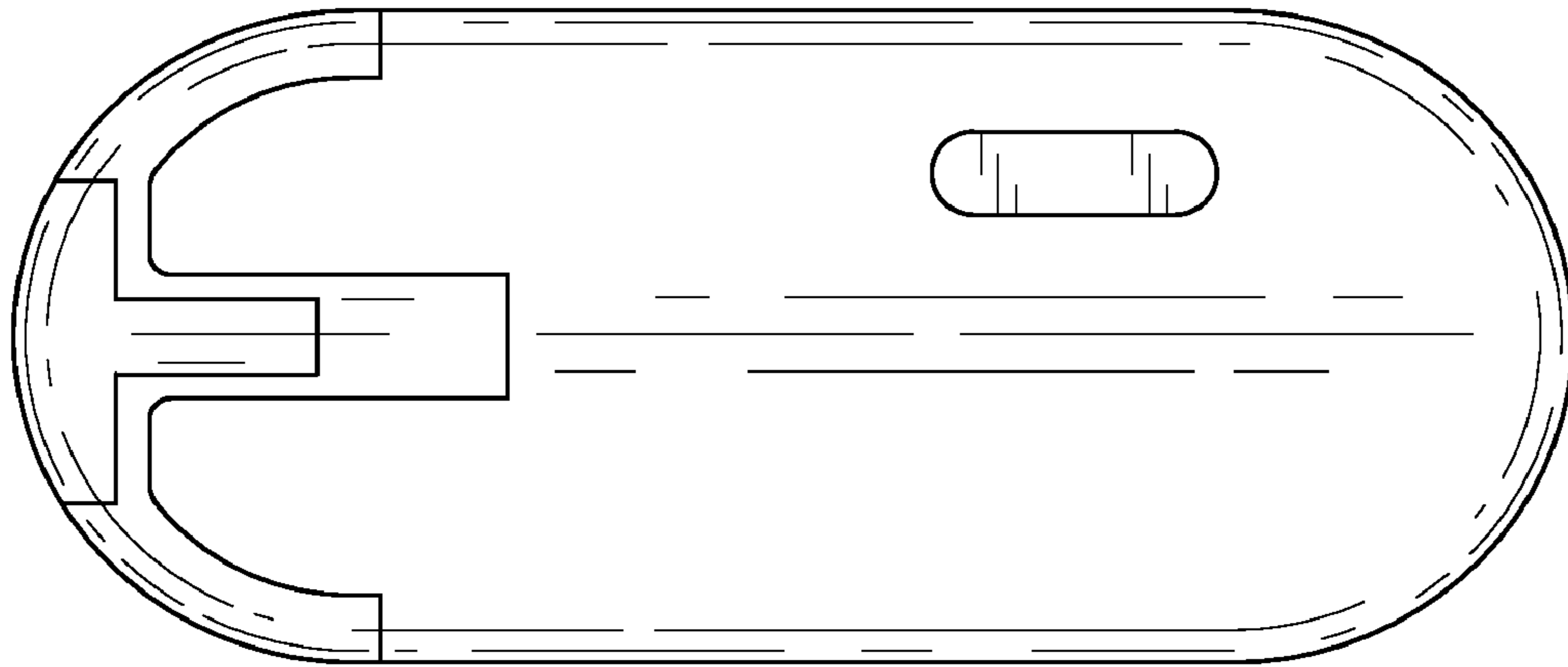


FIG. 3

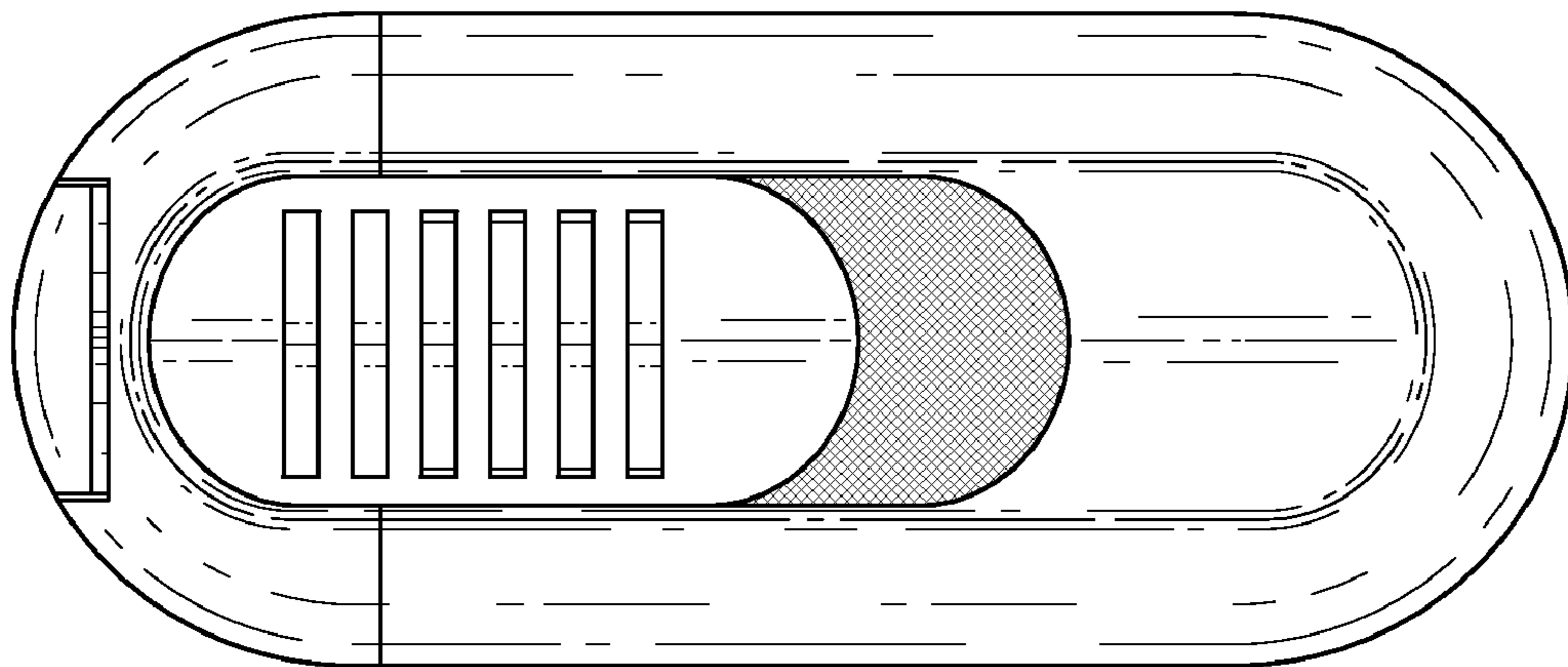


FIG. 2

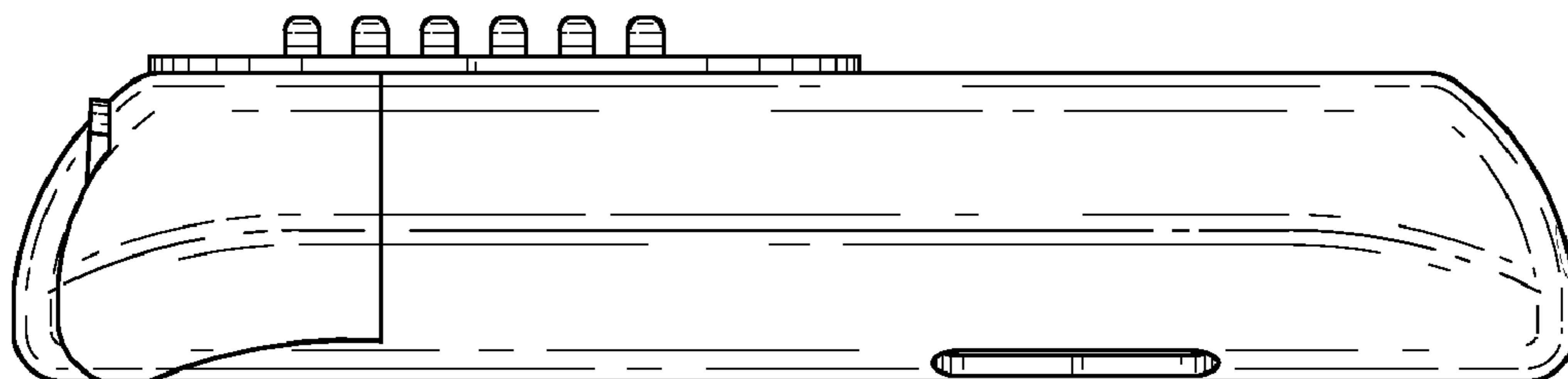


FIG. 4

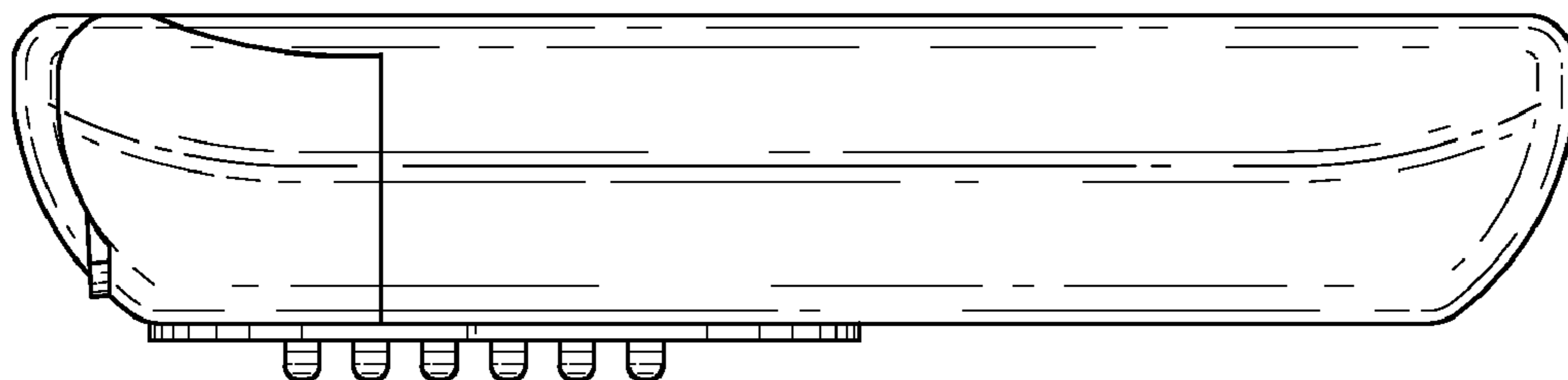


FIG. 5

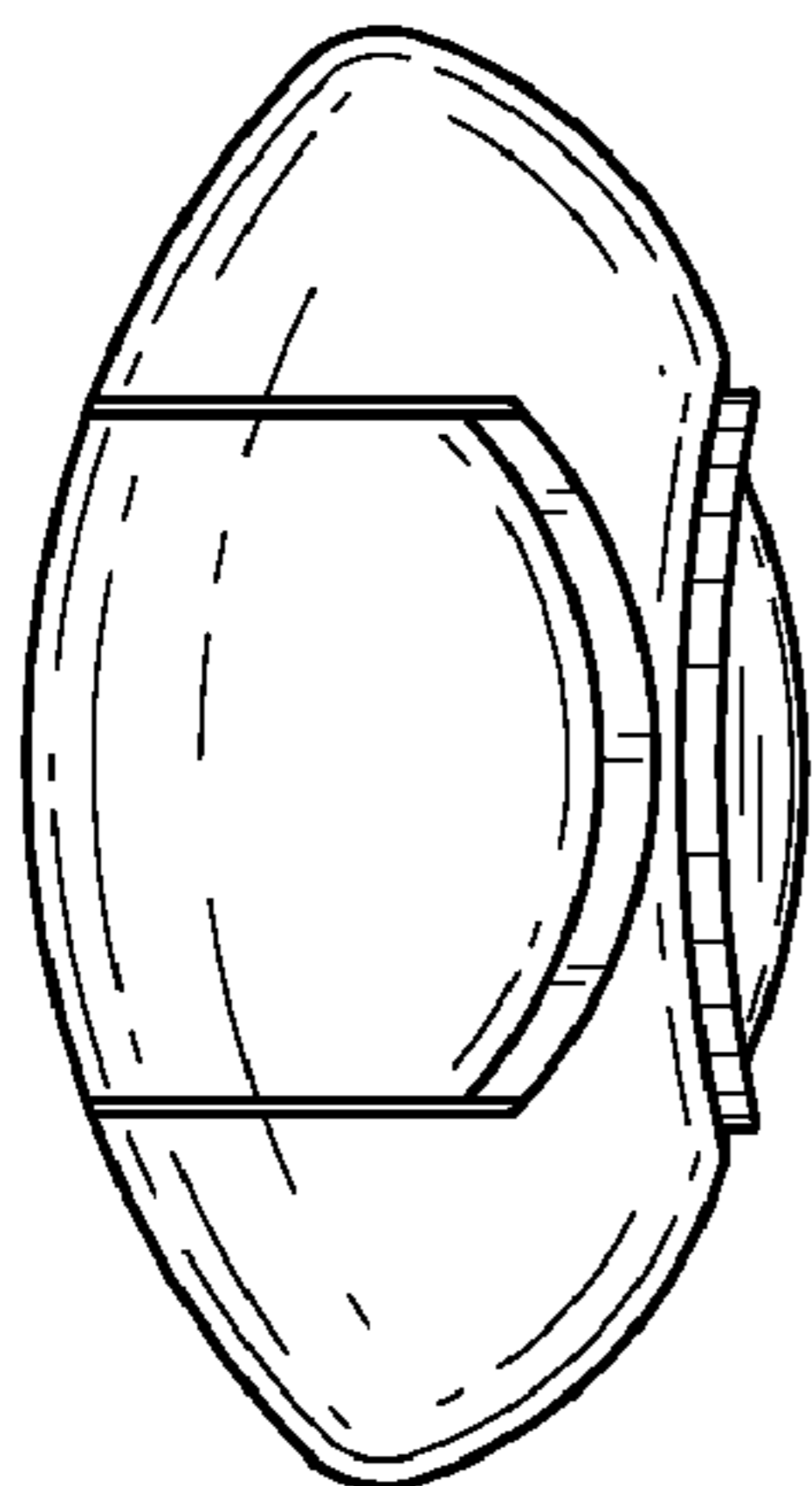


FIG. 6

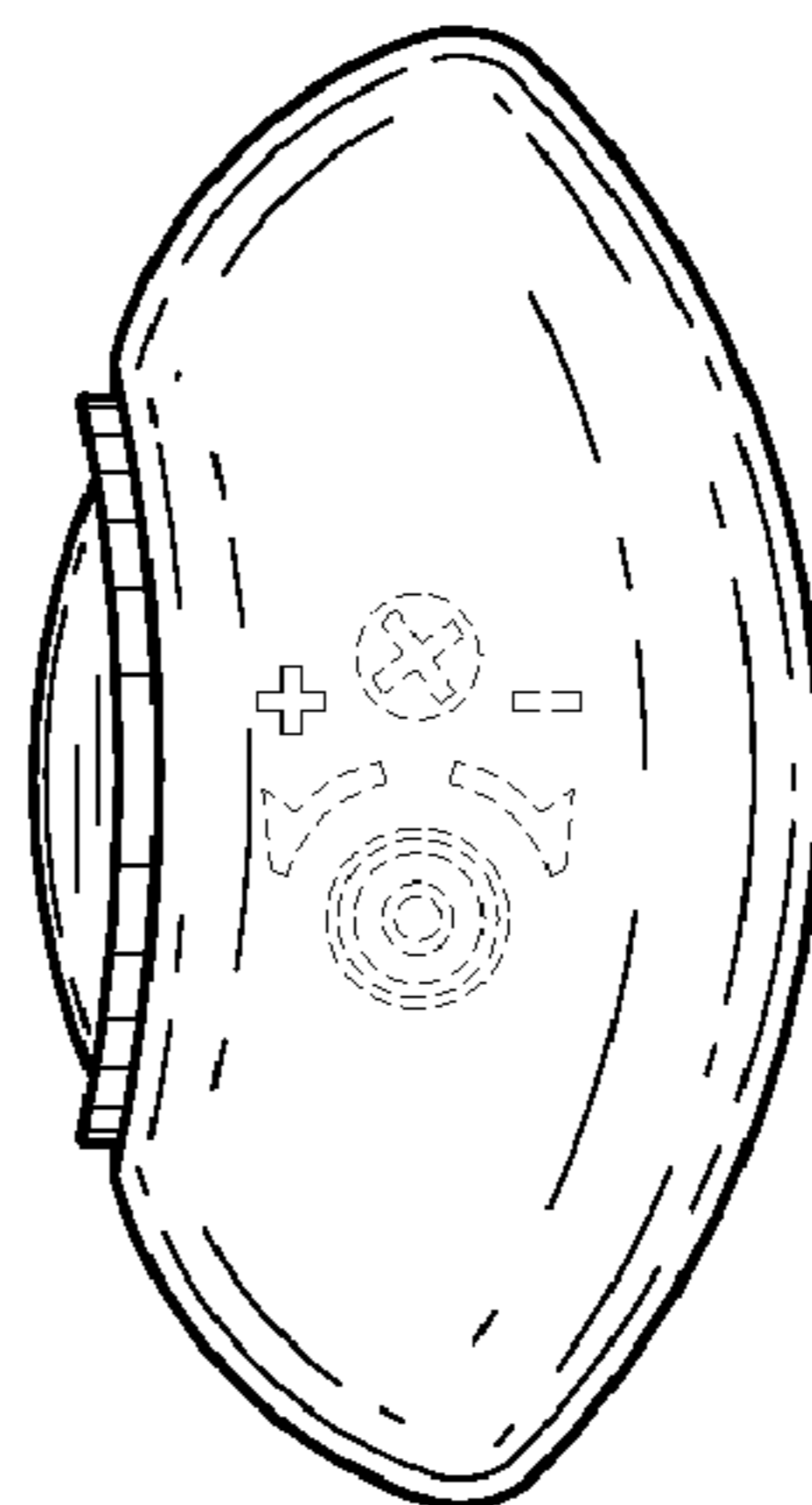


FIG. 7