



US00D636928S

(12) **United States Design Patent**
Lin

(10) **Patent No.:** **US D636,928 S**

(45) **Date of Patent:** **** Apr. 26, 2011**

(54) **LIGHT FIXTURE**

(76) Inventor: **Andy Kaiti Lin**, Palo Alto, CA (US)

(**) Term: **14 Years**

(21) Appl. No.: **29/339,787**

(22) Filed: **Jul. 8, 2009**

(51) **LOC (9) Cl.** **26-99**

(52) **U.S. Cl.** **D26/138**

(58) **Field of Classification Search** D26/2,
D26/88, 93, 103, 106, 69, 67, 66, 64, 63,
D26/65, 71, 75, 76, 80, 120, 121, 124, 128,
D26/118, 138, 142, 122, 113, 154, 156, 90,
D26/85, 86, 84, 81, 87; 362/183, 294, 295,
362/249.01-249.11; D13/102, 103, 179,
D13/180; D25/127, 129, 38; 361/704; 220/570,
220/695, 756; D9/430, 416, 424, 737; D32/53.1,
D32/53, 54; 244/118.5, 118.6; 297/245;
D6/356, 491, 492, 519, 580; D23/271, 286,
D23/234; D12/345; D8/349, 354, 373
See application file for complete search history.

(56) **References Cited**

U.S. PATENT DOCUMENTS

D148,099	S	*	12/1947	Tanchuck	D26/140
3,739,319	A	*	6/1973	Garnett	439/374
4,447,030	A	*	5/1984	Nattel	248/27.1
D281,620	S	*	12/1985	Gustavsson et al.	D23/393
4,787,587	A	*	11/1988	Deming	248/205.1
D301,632	S	*	6/1989	Lohrentz	D26/61
4,881,157	A	*	11/1989	Pahl	362/371
D305,299	S	*	1/1990	Freeman	D8/373
D312,205	S	*	11/1990	de Rooij	D8/373
D318,010	S	*	7/1991	Clinkscapes	D8/373
D328,361	S	*	7/1992	Paproski	D26/106
D331,006	S	*	11/1992	Dziedzic	D8/356
5,511,750	A	*	4/1996	Evenson	248/200
5,704,710	A	*	1/1998	Greene et al.	362/374

D415,950	S	*	11/1999	Anderson	D8/354
6,047,936	A	*	4/2000	Favotto et al.	248/309.1
D432,901	S	*	10/2000	McDonald	D8/354
D436,163	S	*	1/2001	Peterson et al.	D23/393
D494,051	S	*	8/2004	Klein et al.	D8/373
6,991,384	B1	*	1/2006	Davis	396/428
D523,736	S	*	6/2006	Lu	D8/373
D556,363	S	*	11/2007	Komar et al.	D26/106
D569,539	S	*	5/2008	Behar et al.	D26/63
D571,640	S	*	6/2008	Misch	D8/354
D574,530	S	*	8/2008	Tragatschnig	D26/61
D578,377	S	*	10/2008	Baer et al.	D8/349
D580,918	S	*	11/2008	Yokota	D14/239
7,555,817	B2	*	7/2009	Hsu et al.	16/367
7,601,922	B2	*	10/2009	Larsen et al.	174/481
D603,544	S	*	11/2009	Jensen et al.	D26/63
D608,046	S	*	1/2010	Chien	D26/107
D608,047	S	*	1/2010	Scheper et al.	D26/138
2005/0108854	A1	*	5/2005	Lee et al.	16/340
2008/0283702	A1	*	11/2008	Ikerd	248/228.1

* cited by examiner

Primary Examiner — Cathron C Brooks

Assistant Examiner — Kevin K Rudzinski

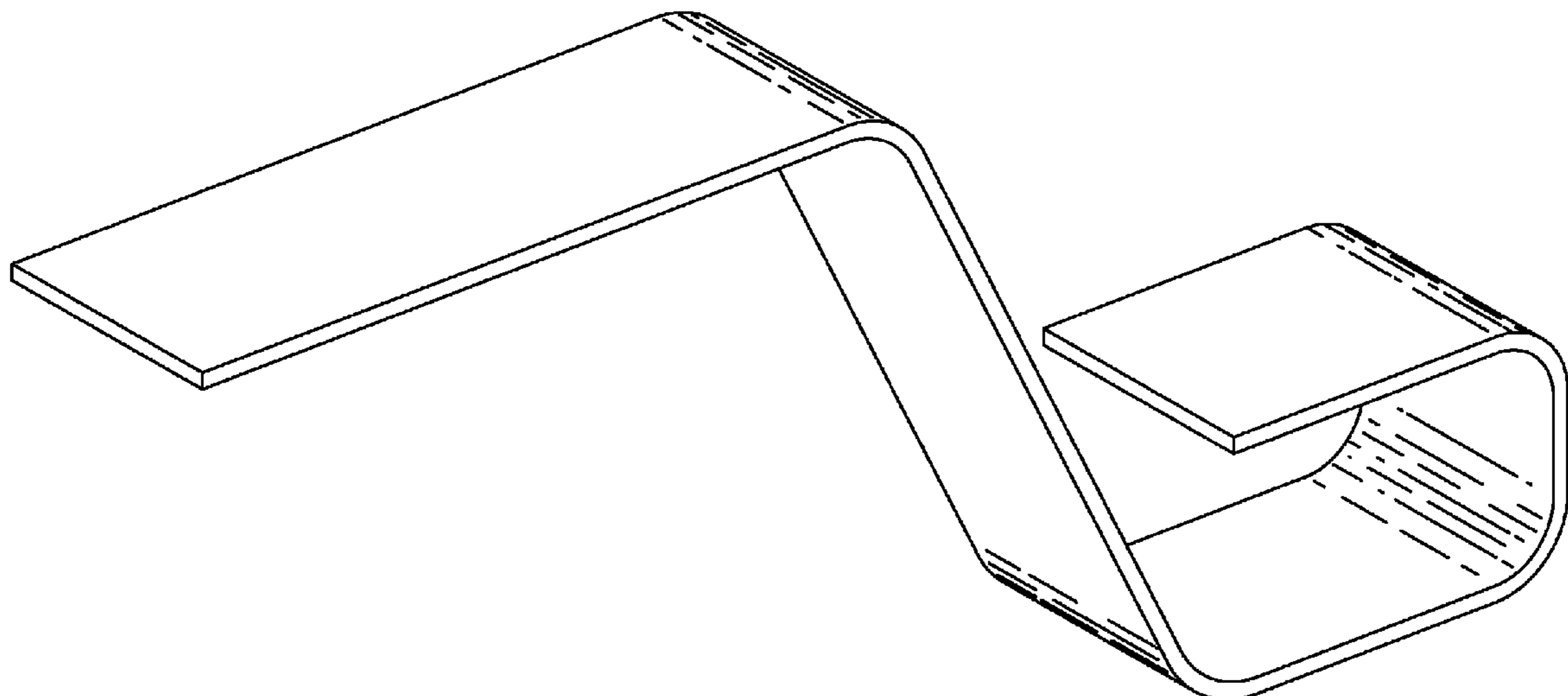
(57) **CLAIM**

I claim the ornamental design for a light fixture, as shown and described.

DESCRIPTION

FIG. 1 is a front top right perspective view of a light fixture according to my design;
FIG. 2 is a top plan view of the design shown in FIG. 1;
FIG. 3 is a right side elevation view of the design shown in FIG. 1;
FIG. 4 is a back elevation view of the design shown in FIG. 1;
FIG. 5 is a front elevation view of the design shown in FIG. 1;
FIG. 6 is a left side elevation view of the design shown in FIG. 1; and,
FIG. 7 is a bottom plan view of the design shown in FIG. 1.

1 Claim, 4 Drawing Sheets



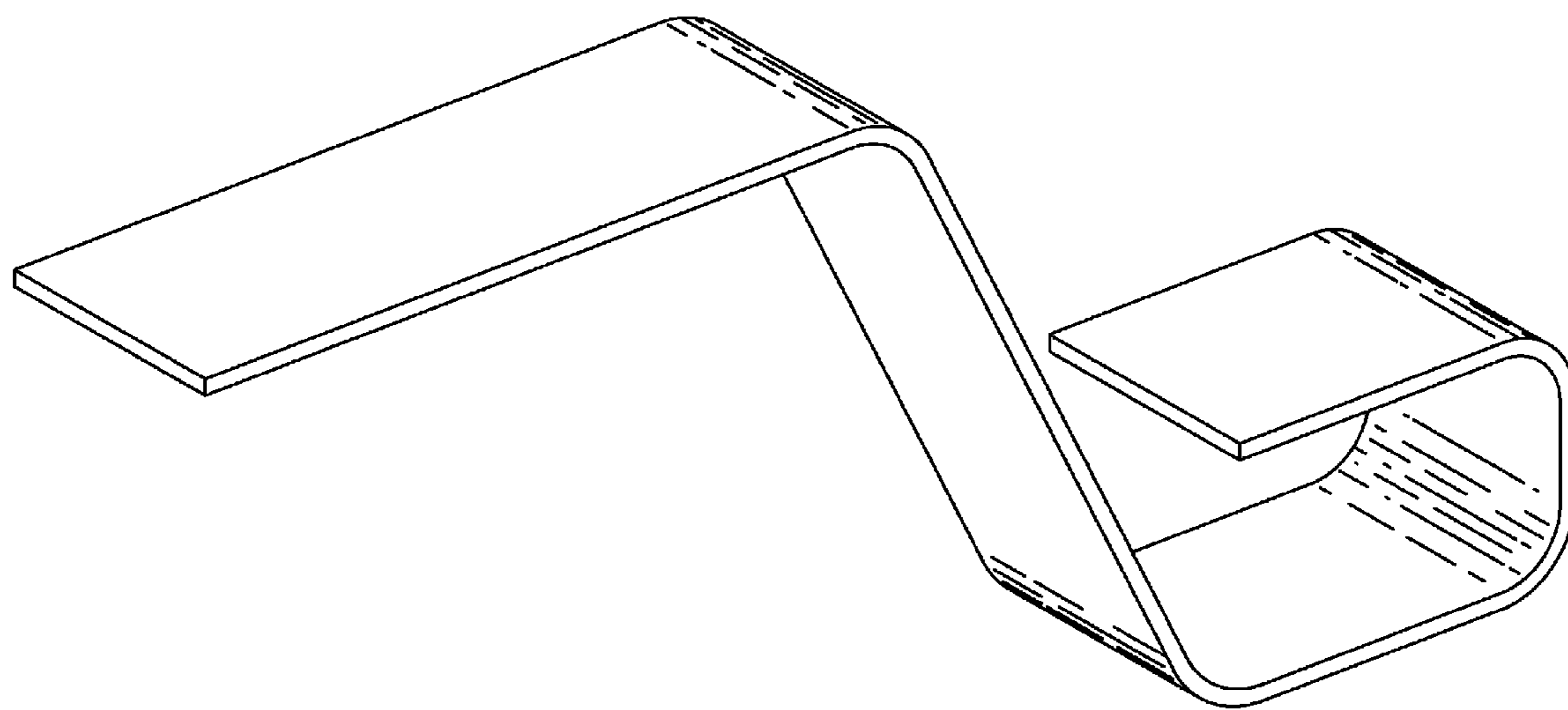


FIG. 1

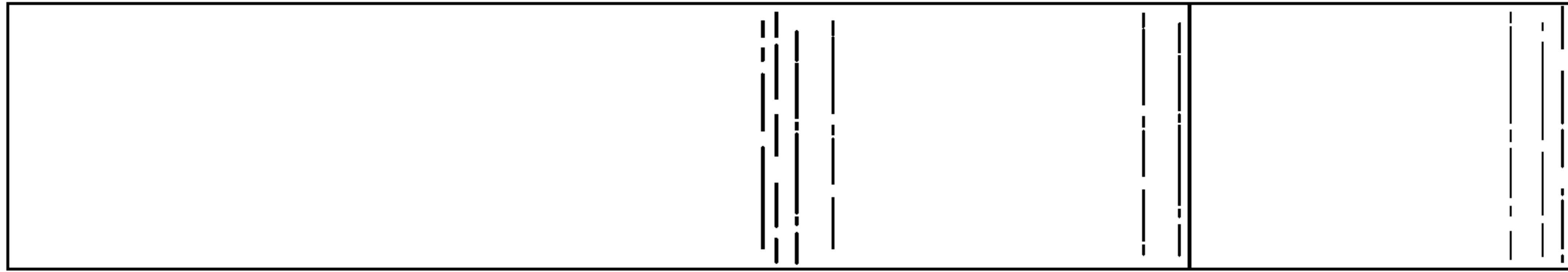


FIG. 2

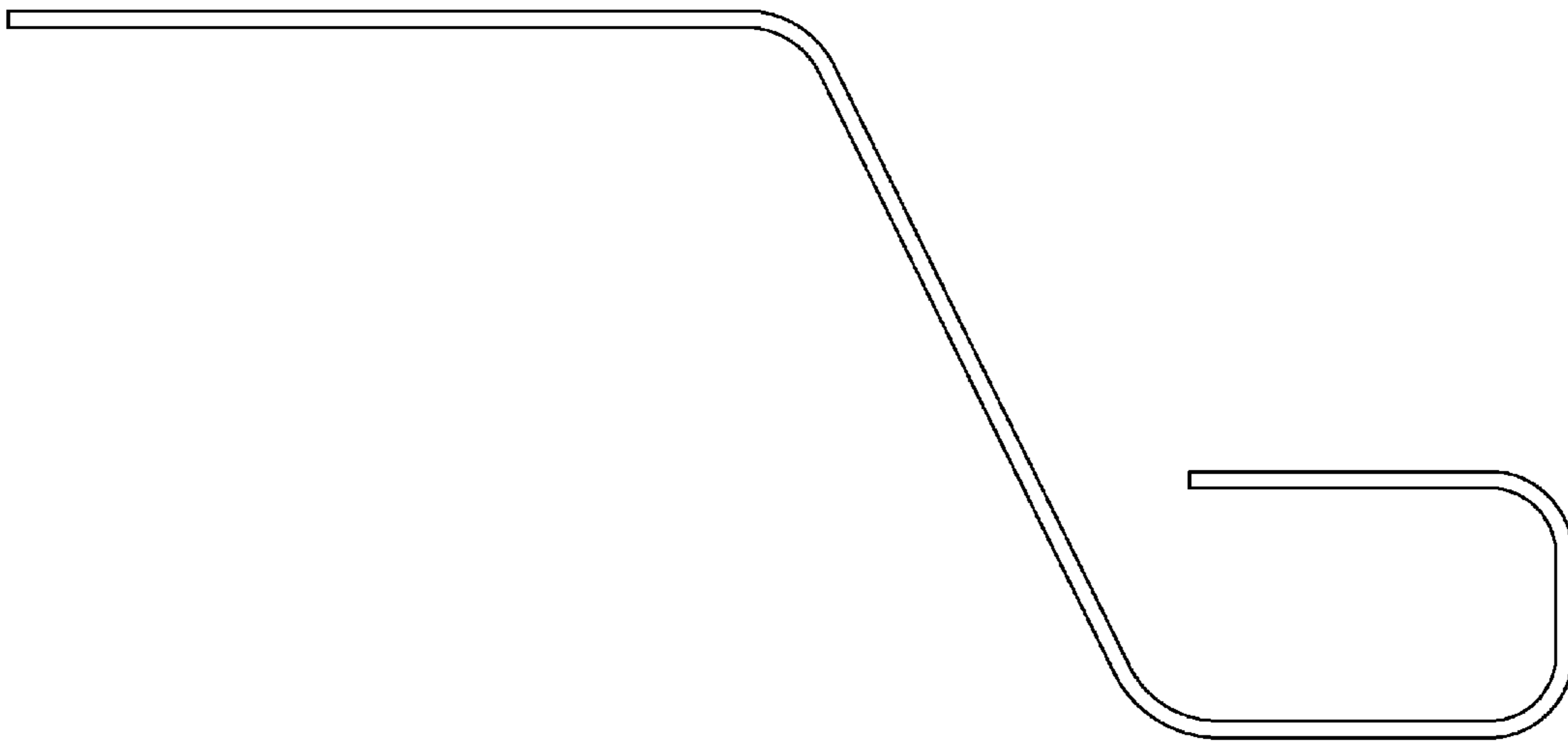


FIG. 3

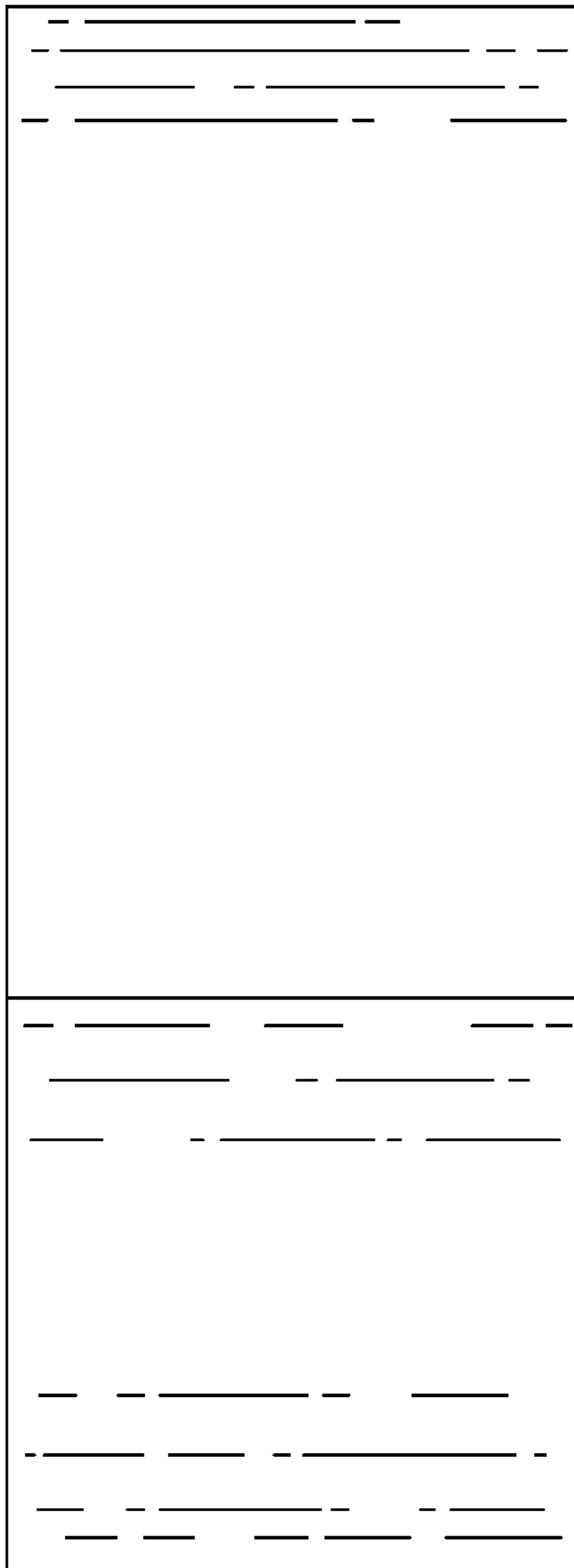


FIG. 4

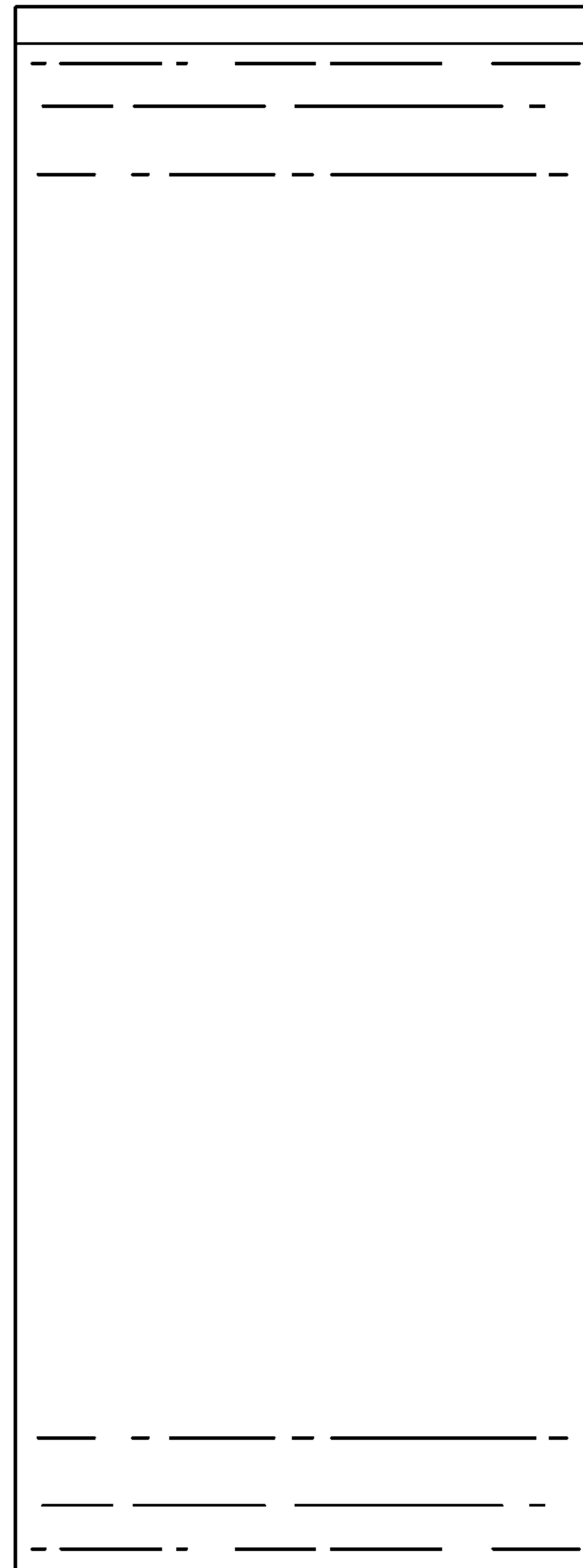


FIG. 5

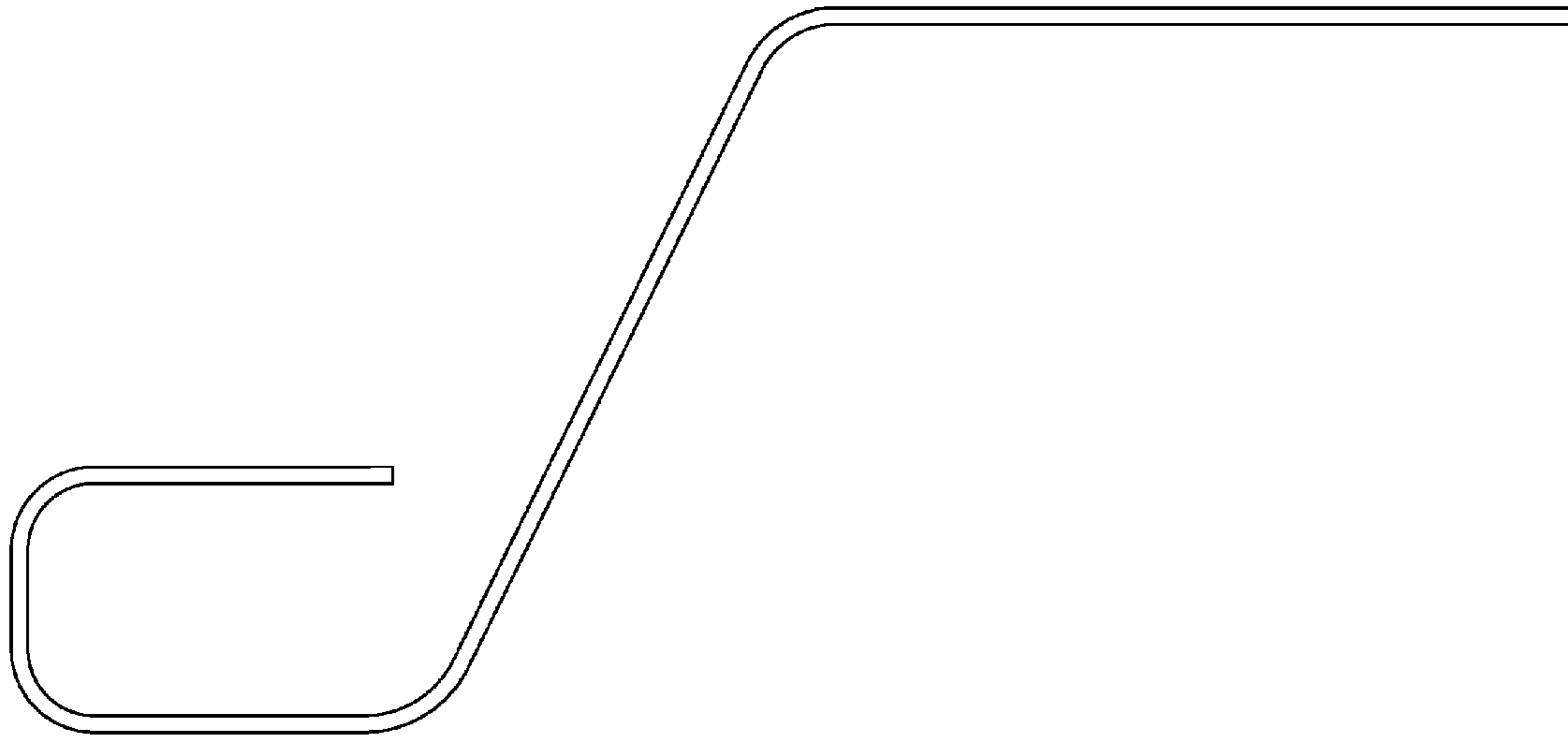


FIG. 6

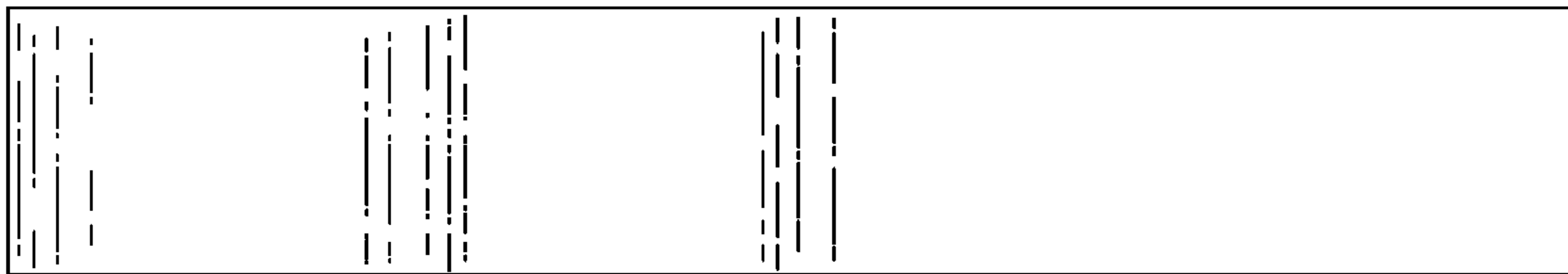


FIG. 7