



US00D636925S

(12) **United States Design Patent**
Kawagoe et al.

(10) **Patent No.:** **US D636,925 S**
(45) **Date of Patent:** **** Apr. 26, 2011**

(54) **LIGHT EMITTING DIODE LAMP**
(75) Inventors: **Shinya Kawagoe**, Osaka (JP); **Kuninori Takezawa**, Shiga (JP); **Hayato Kameyama**, Osaka (JP); **Naotaka Hashimoto**, Osaka (JP); **Toshikazu Endou**, Osaka (JP)
(73) Assignee: **Panasonic Corporation**, Osaka (JP)
(**) Term: **14 Years**
(21) Appl. No.: **29/366,571**
(22) Filed: **Jul. 27, 2010**

4,841,422 A 6/1989 Groh
D302,863 S * 8/1989 Krol D26/26
D331,638 S * 12/1992 Vamberszky et al. D26/118
D343,019 S * 1/1994 Garrity D26/37
5,483,428 A * 1/1996 Poppenheimer 362/101
D366,947 S * 2/1996 Brown D26/37
D382,659 S * 8/1997 Kaloustian D26/28
D383,564 S * 9/1997 Lecluze D26/118
5,909,955 A * 6/1999 Roorda 362/368
D428,155 S * 7/2000 Chalberg et al. D24/204
6,116,758 A 9/2000 Lin
D438,328 S * 2/2001 Pan D26/88
D460,574 S * 7/2002 Horowitz D26/28
6,474,846 B1 * 11/2002 Kelmelis et al. 362/365
D472,996 S * 4/2003 Horowitz D26/28
D474,299 S * 5/2003 Lecluze D26/74
6,565,230 B2 5/2003 Ashley

(Continued)

(30) **Foreign Application Priority Data**
Feb. 26, 2010 (JP) 2010-004515
Feb. 26, 2010 (JP) 2010-004516
Feb. 26, 2010 (JP) 2010-004517
Feb. 26, 2010 (JP) 2010-004518

Primary Examiner — Cathron C Brooks
Assistant Examiner — Kevin K Rudzinski
(74) *Attorney, Agent, or Firm* — Brinks Hofer Gilson & Lione

(51) **LOC (9) Cl.** **26-99**
(52) **U.S. Cl.** **D26/120**
(58) **Field of Classification Search** D26/2,
D26/88, 93, 103, 106, 69, 67, 66, 64, 63,
D26/65, 71, 75, 76, 80, 120, 121, 124, 128,
D26/118, 138, 142, 122, 113, 154, 156, 90,
D26/85, 86, 84, 81, 87; 362/183, 294, 295,
362/249.01–249.11; D13/102, 103, 179,
D13/180; D25/127, 129, 38; 361/704; 220/570,
220/695, 756; D9/430, 416, 424, 737; D32/53.1,
D32/53, 54; 244/118.5, 118.6; 297/245;
D6/356, 491, 492, 519, 580; D23/271, 286,
D23/234; D12/345; D8/349, 354, 373
See application file for complete search history.

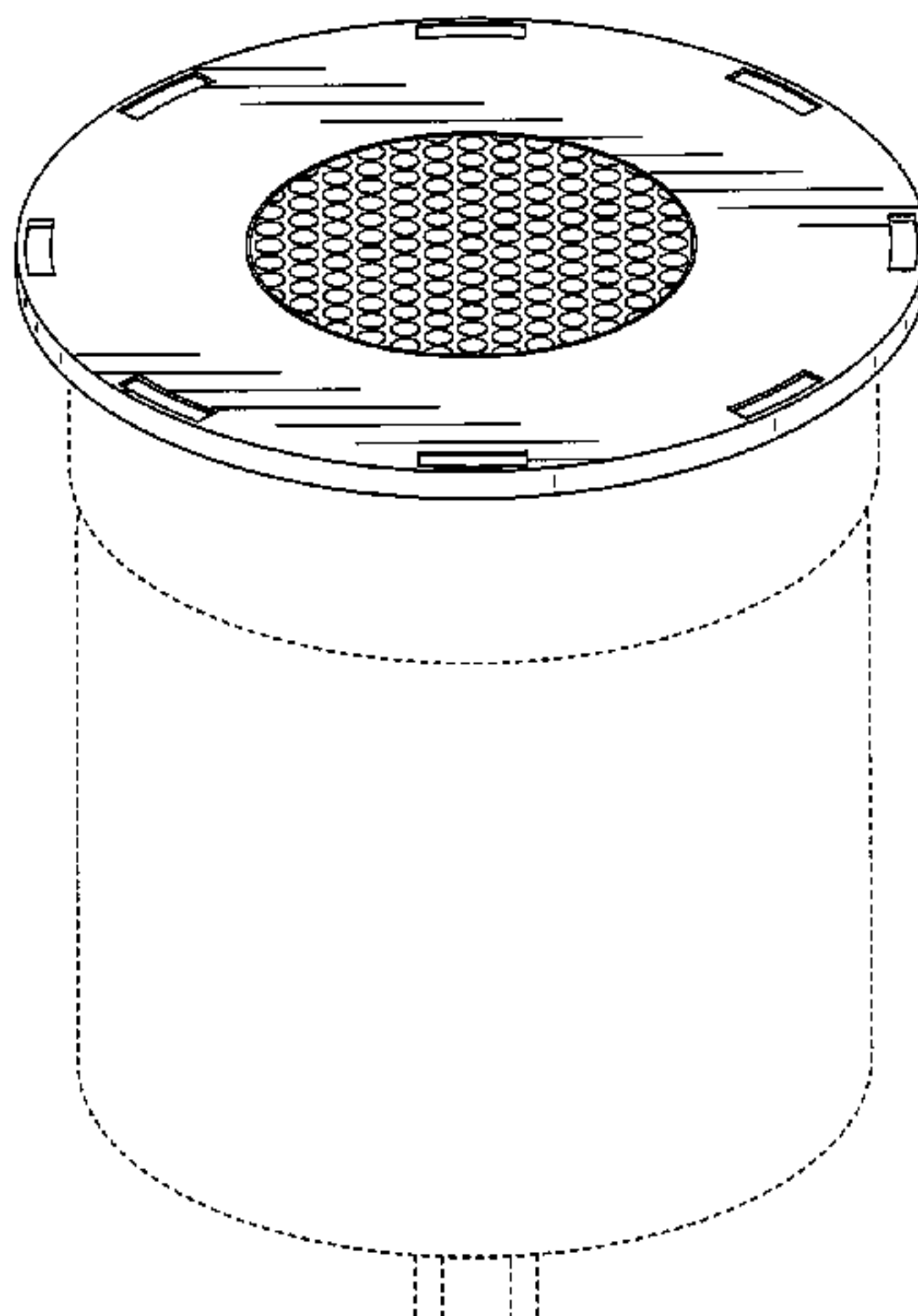
(57) **CLAIM**
We claim the ornamental design for a light emitting diode lamp, as shown and described.

DESCRIPTION

FIG. 1 is a top perspective view of a light emitting diode lamp of the present invention;
FIG. 2 is a front view thereof;
FIG. 3 is a rear view thereof;
FIG. 4 is a first side view thereof;
FIG. 5 is a second side view thereof;
FIG. 6 is a top view thereof;
FIG. 7 is a bottom view thereof; and,
FIG. 8 is a top perspective view thereof shown in an environmental use.
The broken line showing of the base and support structure in FIGS. 1-5 and 7, and the trim in FIG. 8 is included for the purpose of illustrating environmental structures and forms no part of the claimed design.

(56) **References Cited**
U.S. PATENT DOCUMENTS
RE23,193 E * 1/1950 Packer et al. 362/371
D170,925 S * 11/1953 Kaveckas D24/210
3,666,040 A * 5/1972 Junk 181/150
4,780,799 A 10/1988 Groh

1 Claim, 8 Drawing Sheets



US D636,925 S

Page 2

U.S. PATENT DOCUMENTS

D476,108	S *	6/2003	Lecluze	D26/74
6,655,813	B1 *	12/2003	Ng	362/148
D488,583	S *	4/2004	Benghozi	D26/118
6,979,107	B1 *	12/2005	Benensohn	362/374
D518,028	S *	3/2006	Halsall et al.	D14/216
7,093,953	B1 *	8/2006	Dicke et al.	362/196
D560,829	S *	1/2008	Mason, II	D26/28
D561,917	S *	2/2008	Tsao	D26/2
D574,095	S *	7/2008	Hill et al.	D26/26
D574,541	S *	8/2008	Matsumoto et al.	D26/74
D581,555	S	11/2008	To et al.		
7,465,077	B1 *	12/2008	Mier-Langner et al.	362/365
D584,428	S *	1/2009	Li et al.	D26/2
D585,579	S *	1/2009	Lehman	D26/63
D593,222	S	5/2009	To et al.		
D595,452	S *	6/2009	Khang et al.	D26/138
D599,921	S *	9/2009	Rivardo et al.	D26/24
D601,275	S *	9/2009	Ho et al.	D26/2
D606,696	S *	12/2009	Chen et al.	D26/74
D612,956	S *	3/2010	Moon	D26/2
D613,434	S *	4/2010	Weiss	D26/2
2004/0001336	A1 *	1/2004	Wang et al.	362/147
2006/0176703	A1 *	8/2006	Cayton et al.	362/350

* cited by examiner

FIG. 1

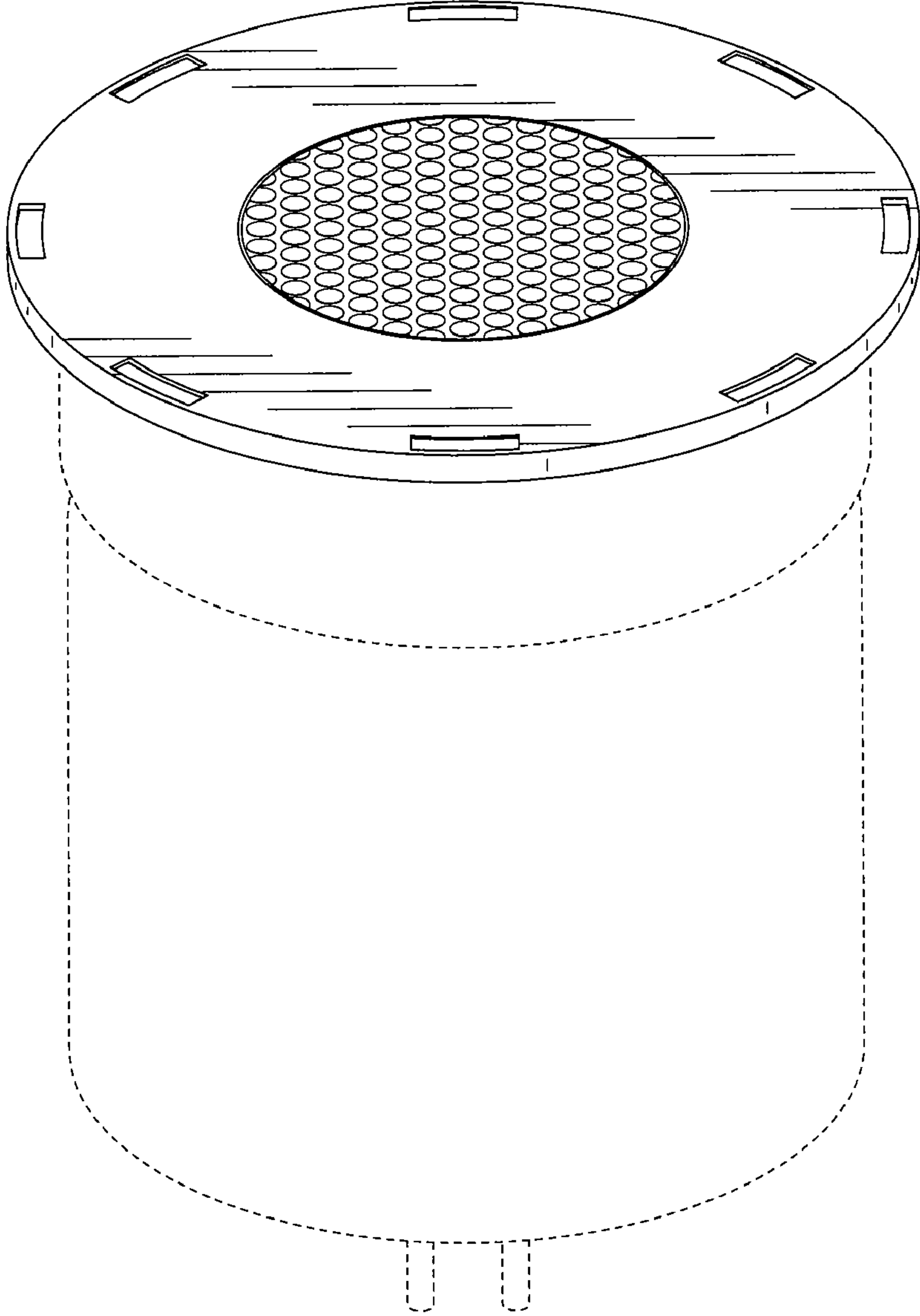


FIG.2

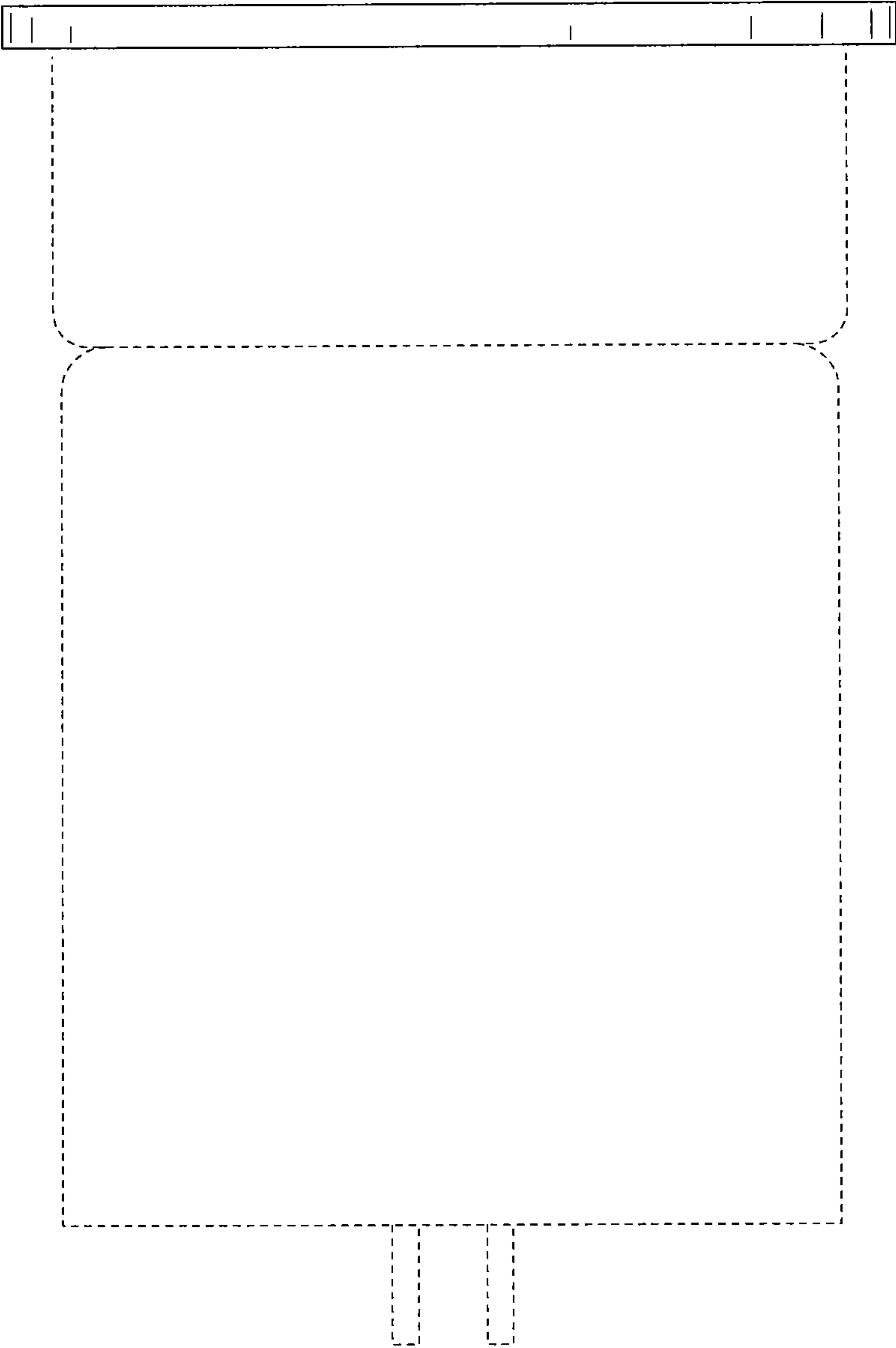


FIG.3

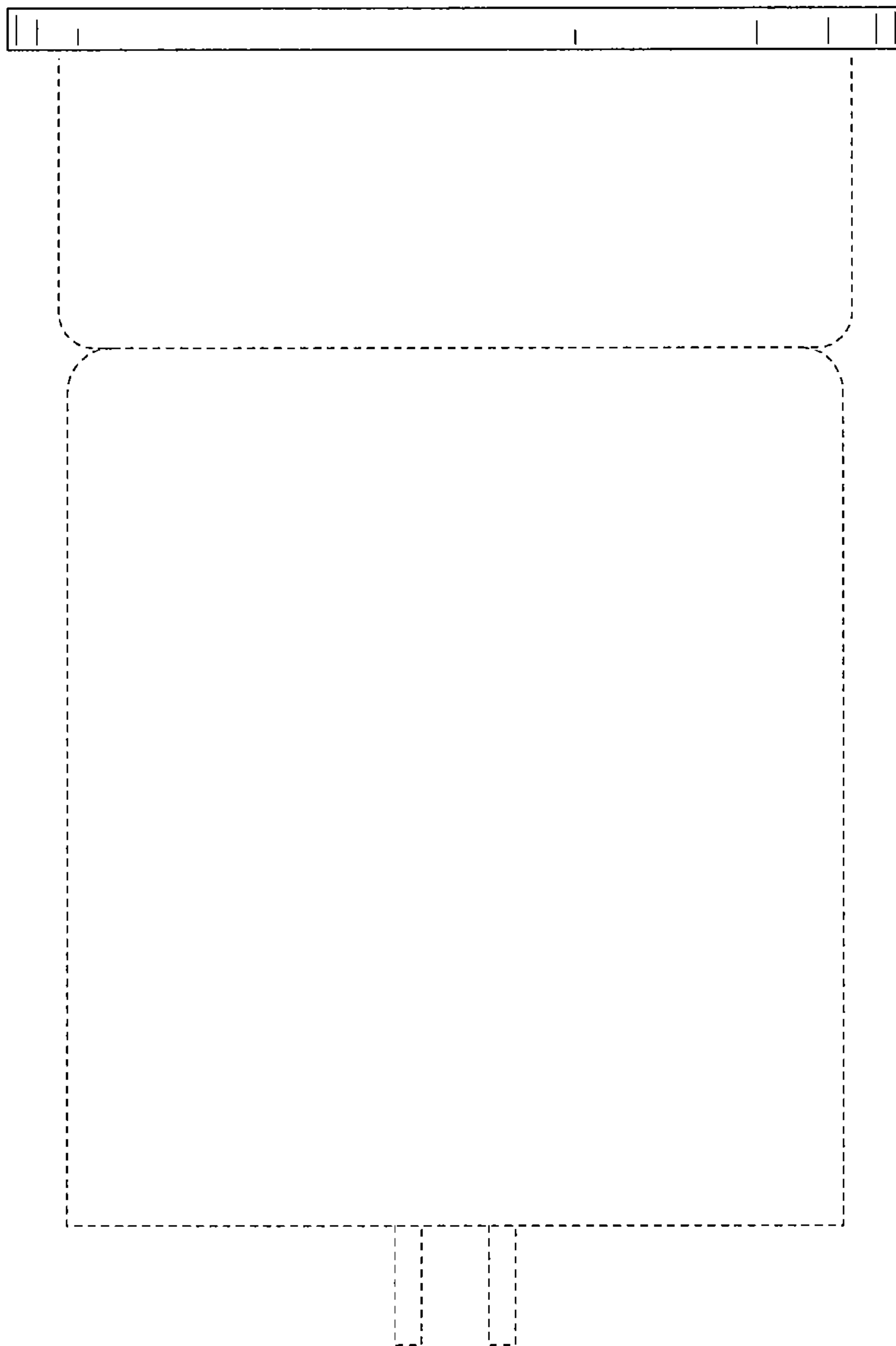


FIG.4

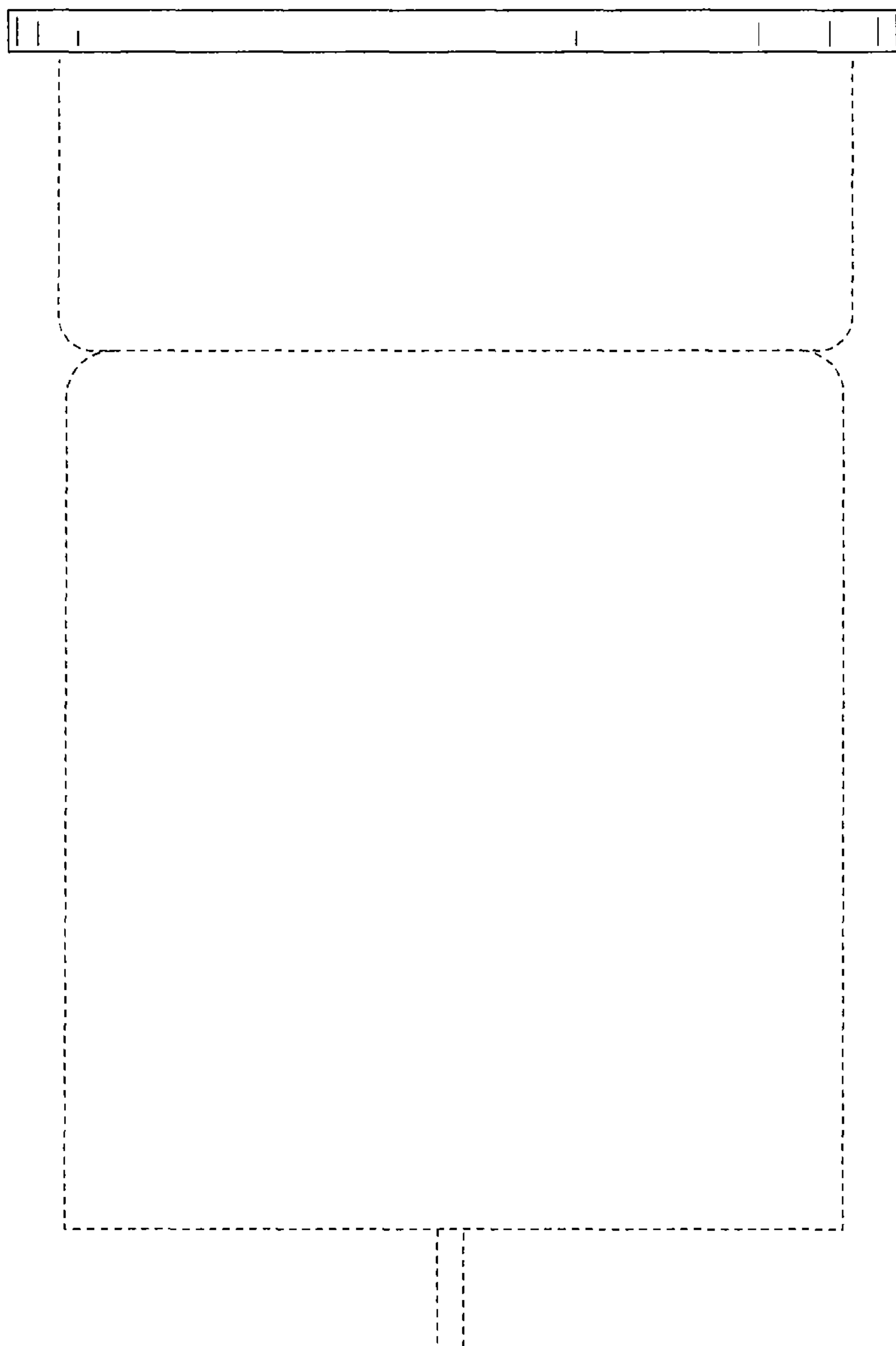


FIG.5

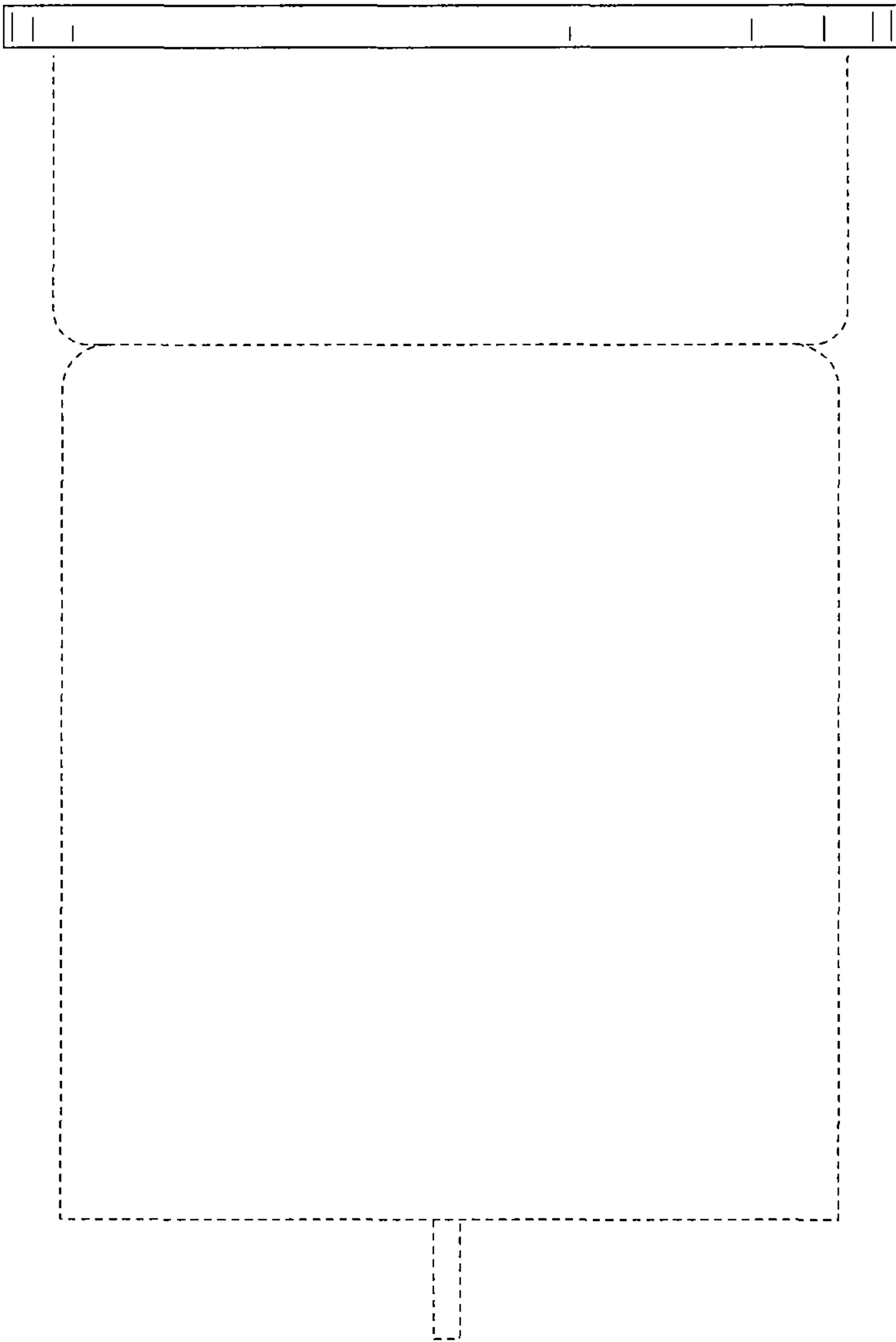


FIG.6

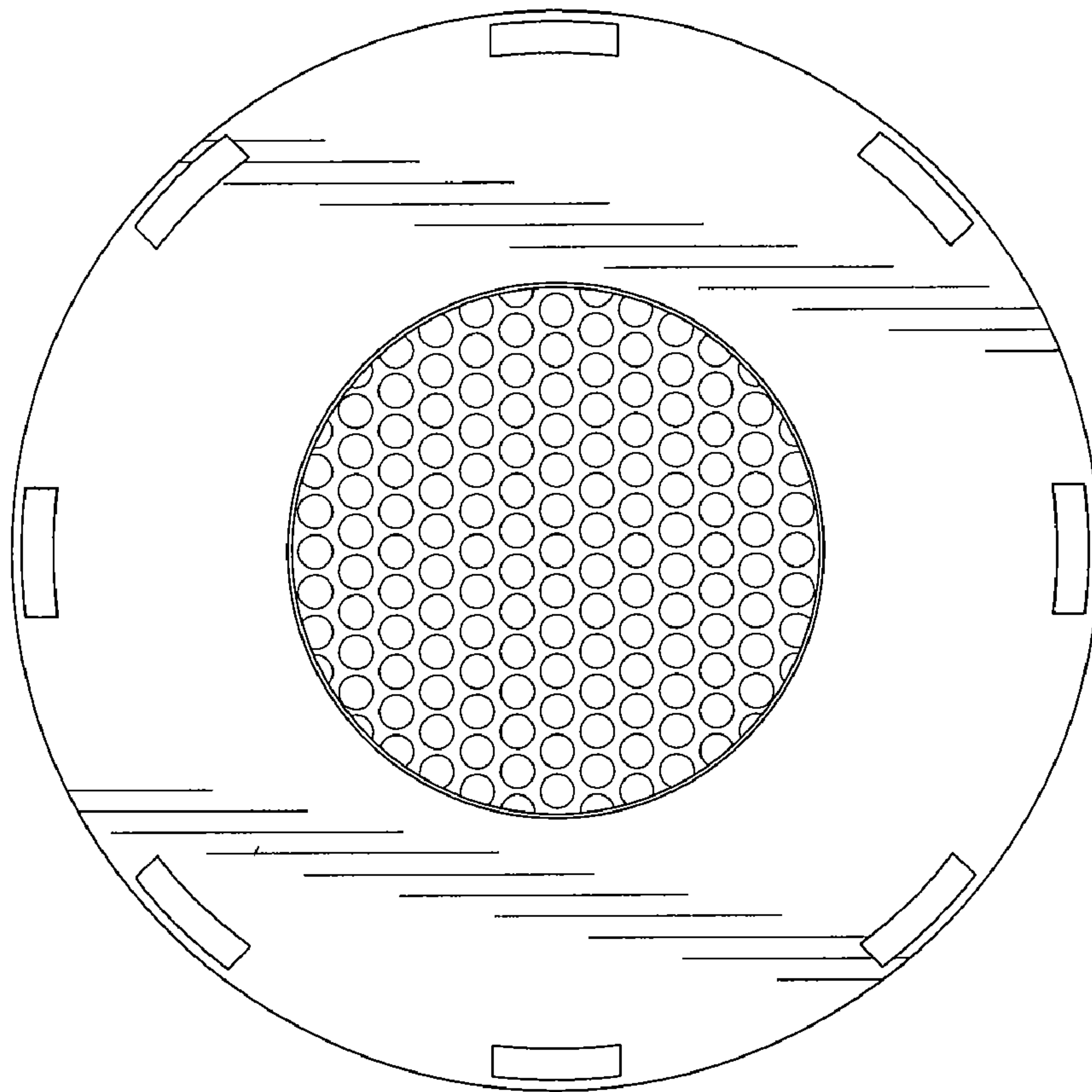


FIG.7

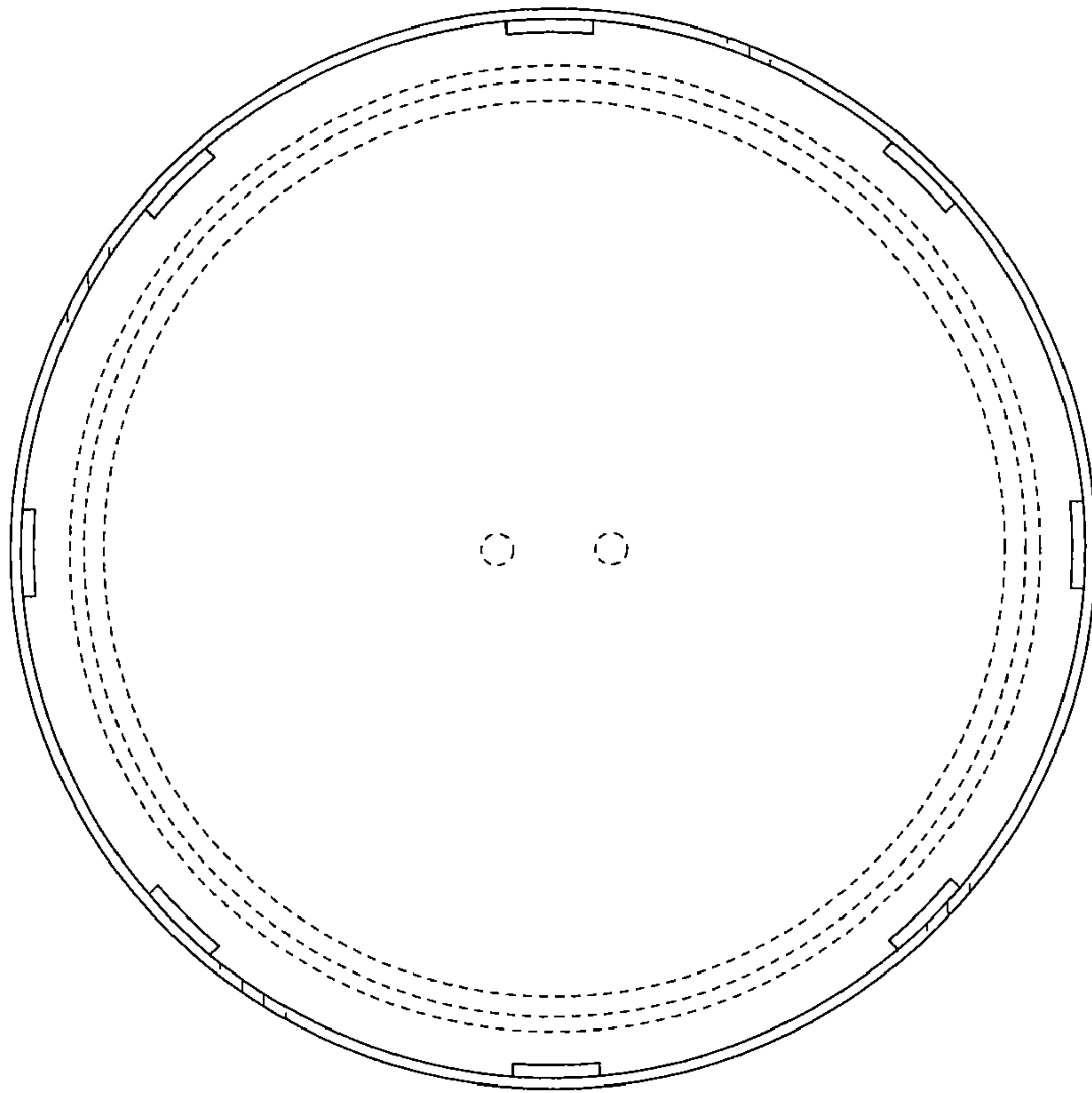


FIG.8

