



US00D636922S

(12) **United States Design Patent**
Yoshida et al.

(10) **Patent No.:** **US D636,922 S**
(45) **Date of Patent:** **** Apr. 26, 2011**

- (54) **RECESSED LIGHTING FIXTURE**
- (75) Inventors: **Kazufumi Yoshida**, Kanagawa (JP);
Junichiro Yamamoto, Kanagawa (JP);
Shizuka Sakamoto, Kanagawa (JP)
- (73) Assignees: **Toshiba Lighting & Technology Corporation**, Kanagawa (JP);
Kabushiki Kaisha Toshiba, Tokyo (JP)

- D473,966 S * 4/2003 Lecluze D26/74
- D488,251 S * 4/2004 Benghozi D26/118
- D544,979 S * 6/2007 Hartmann et al. D26/74
- D545,988 S * 7/2007 Goetz-Schaefer D26/74
- D569,024 S * 5/2008 Redfern D26/74
- 7,476,010 B2 * 1/2009 Johnson 362/373
- D610,291 S * 2/2010 Yoshinobu et al. D26/74
- D610,292 S * 2/2010 Yoshinobu et al. D26/74
- D618,376 S * 6/2010 Redfern et al. D26/92

* cited by examiner

- (**) Term: **14 Years**
- (21) Appl. No.: **29/356,387**
- (22) Filed: **Feb. 25, 2010**

Primary Examiner — Angela J Lee
(74) *Attorney, Agent, or Firm* — Jianq Chyun IP Office

(30) **Foreign Application Priority Data**

- Aug. 25, 2009 (JP) 2009-019380
- (51) **LOC (9) Cl.** **26-05**
- (52) **U.S. Cl.** **D26/74**
- (58) **Field of Classification Search** D26/74,
D26/72, 24, 36, 59, 118, 133, 134; 362/145,
362/147, 148, 150, 151, 153, 218, 217.06,
362/217.07, 294, 296.01, 296.06, 296.07,
362/296.08, 311.07, 311.09, 364, 365, 373;
D13/179

See application file for complete search history.

(56) **References Cited**

U.S. PATENT DOCUMENTS

- D386,277 S * 11/1997 Lecluze D26/74
- D397,472 S * 8/1998 Lecluze D26/118

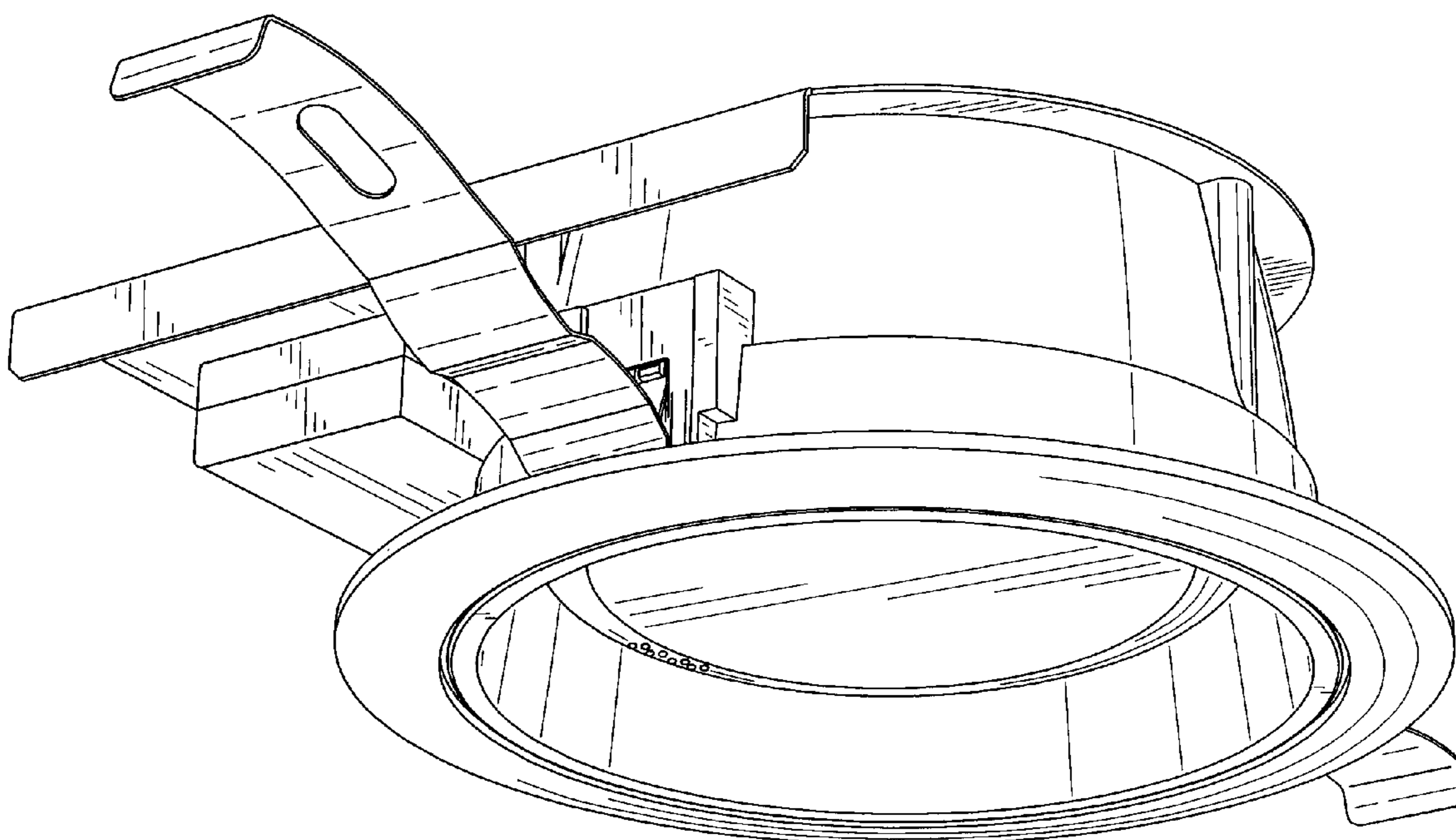
(57) **CLAIM**

The ornamental design for a recessed lighting fixture, as shown and described.

DESCRIPTION

FIG. 1 is a perspective view of a recessed lighting fixture showing our new design;
 FIG. 2 is a front view thereof;
 FIG. 3 is a rear side view thereof;
 FIG. 4 is a right view thereof;
 FIG. 5 is a top view thereof;
 FIG. 6 is a bottom view thereof; and,
 FIG. 7 is a cross-sectional view taken along line 7—7.
 A left side view of the recessed lighting fixture is omitted since the left side view is symmetrical with the right side view. The portion shown in FIG. 7 with double hatching lines is pervious to light.
 The internal structure shown in broken lines in the cross-sectional view, FIG. 7, forms no part of the claimed design.

1 Claim, 7 Drawing Sheets



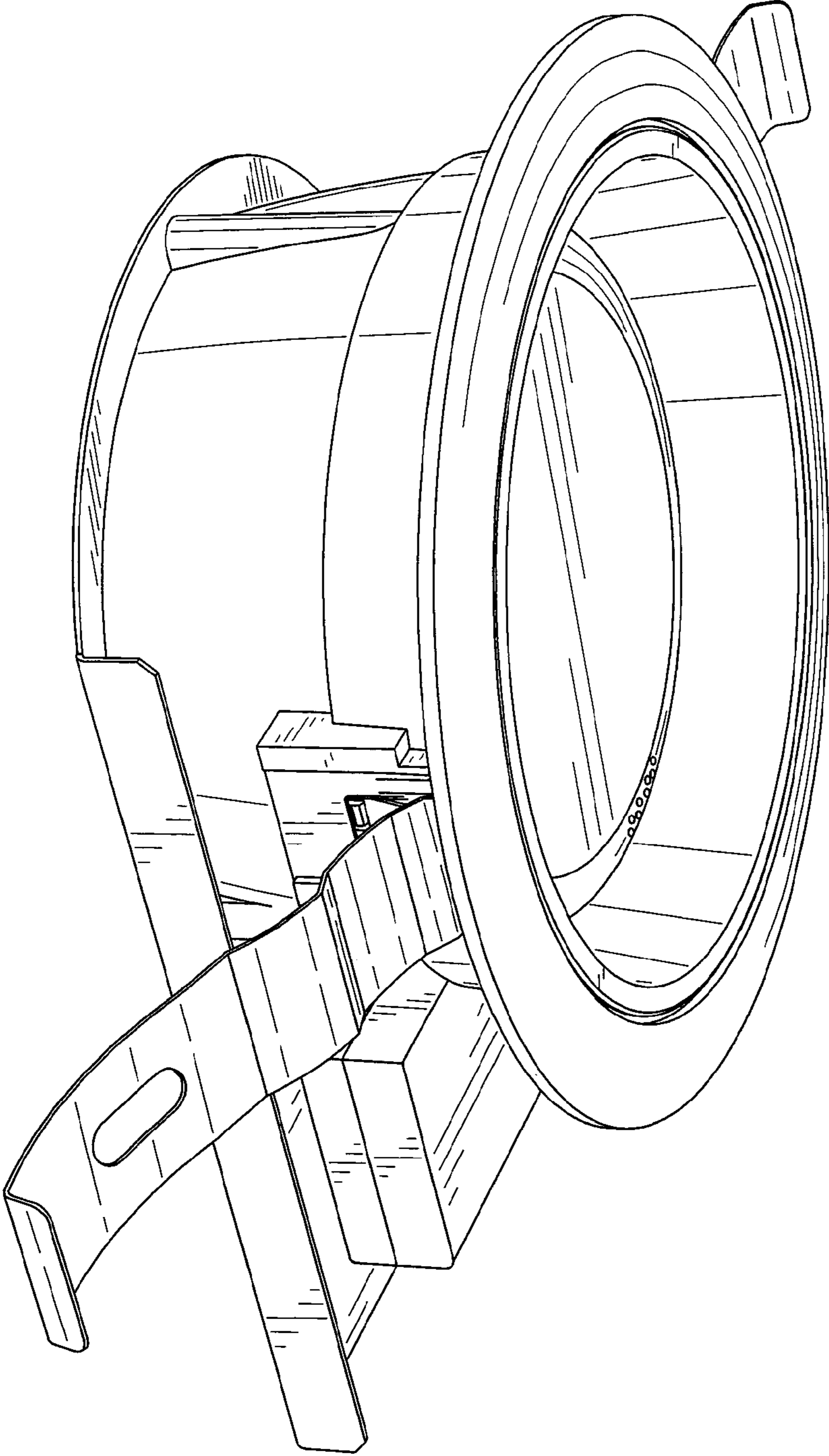


FIG. 1

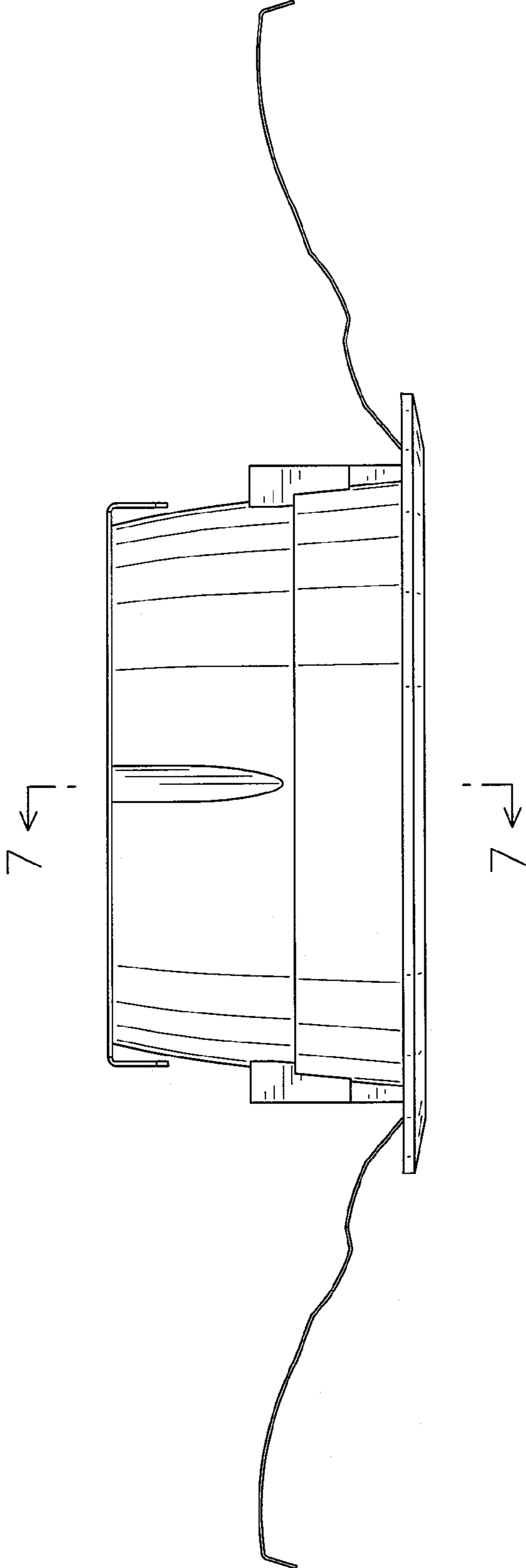


FIG. 2

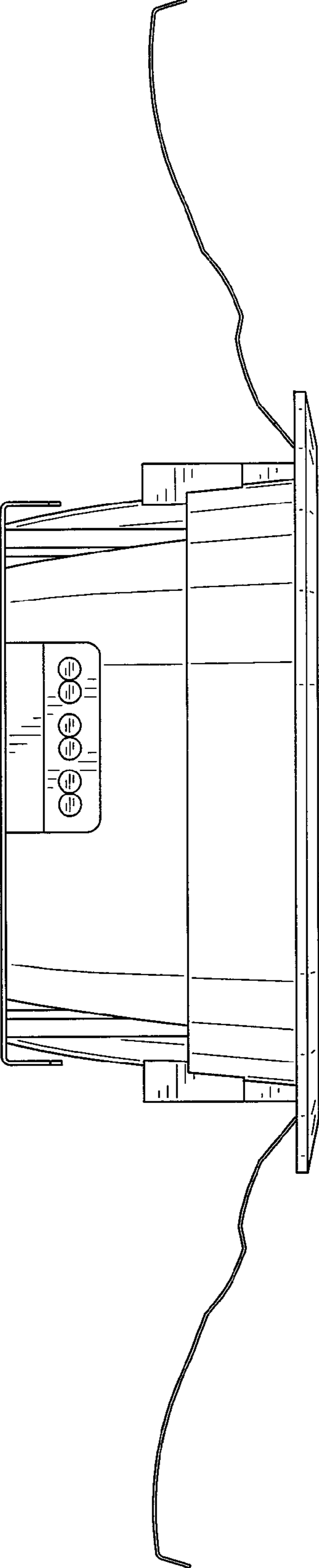


FIG. 3

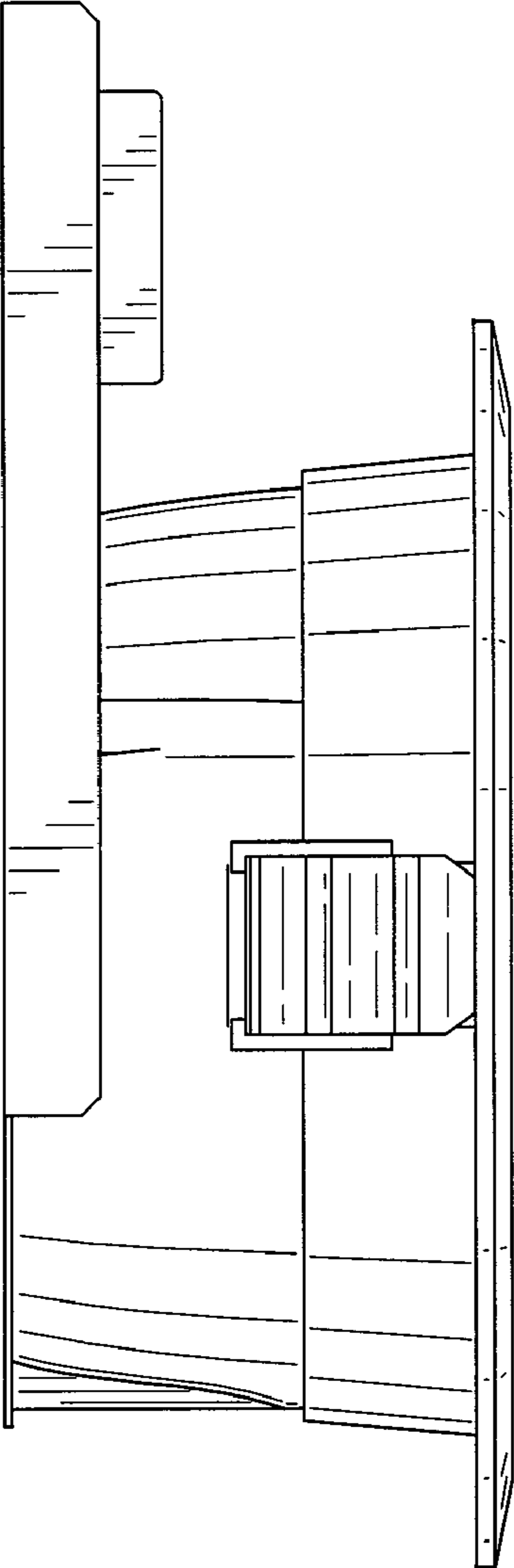


FIG. 4

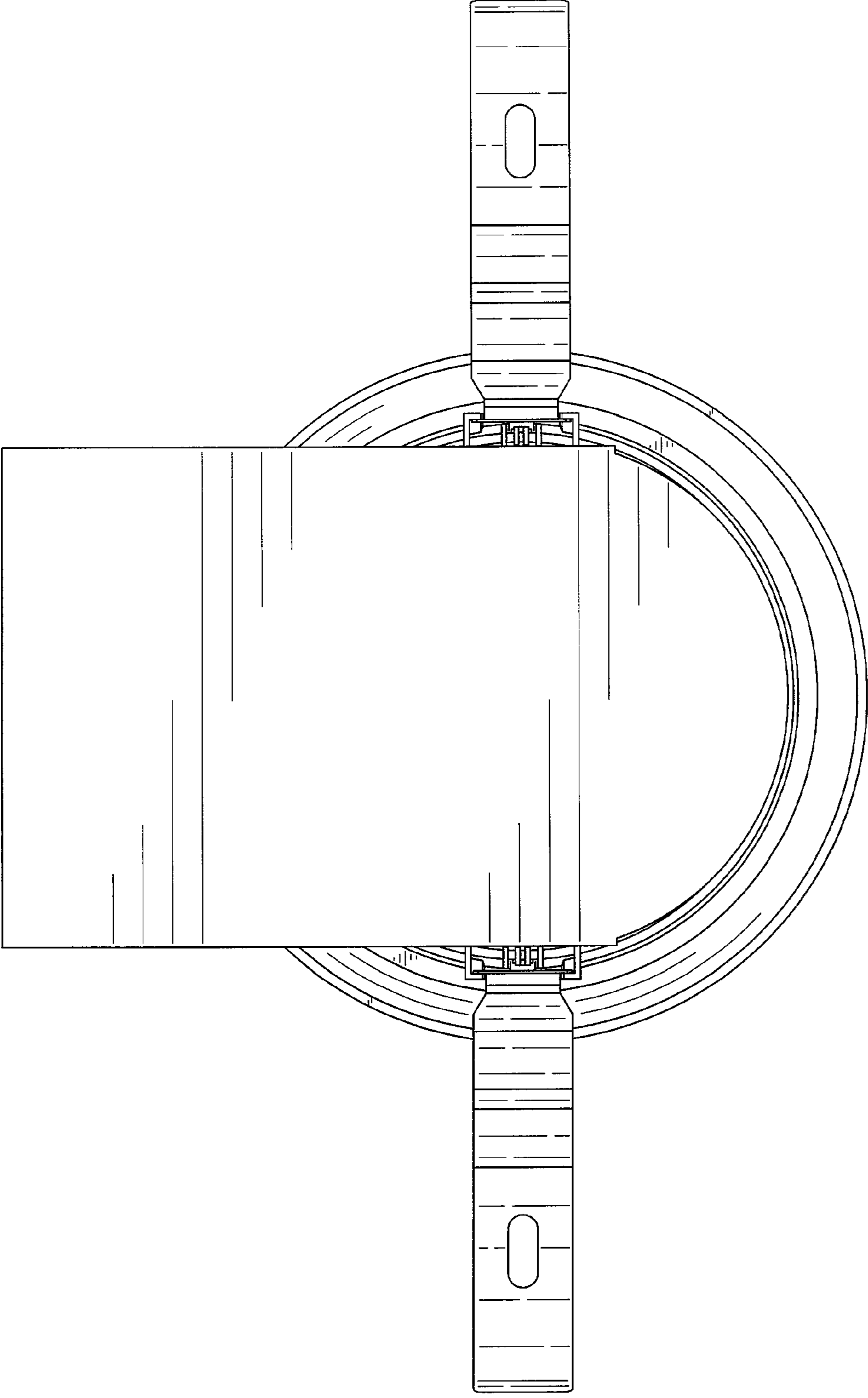


FIG. 5

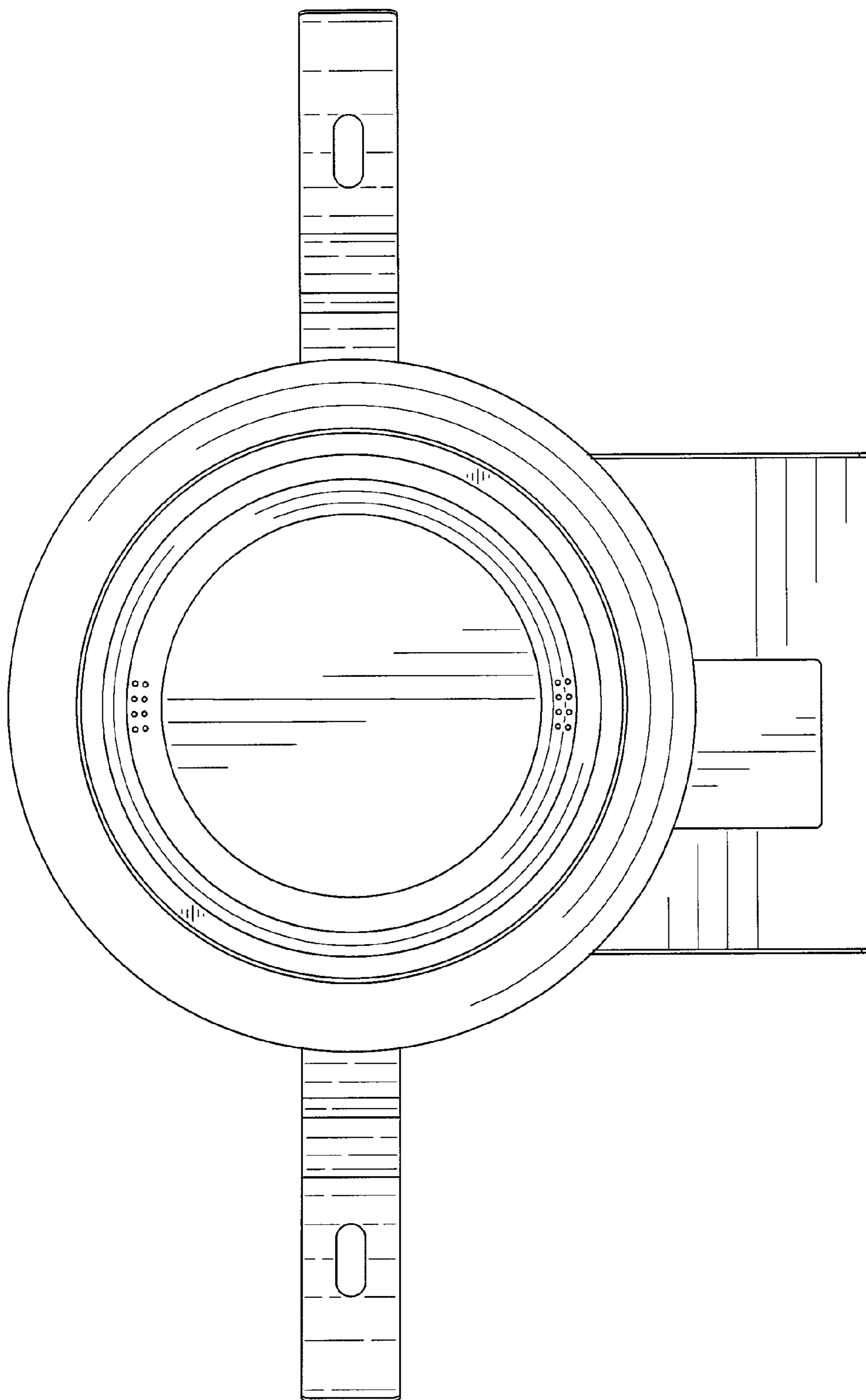


FIG. 6

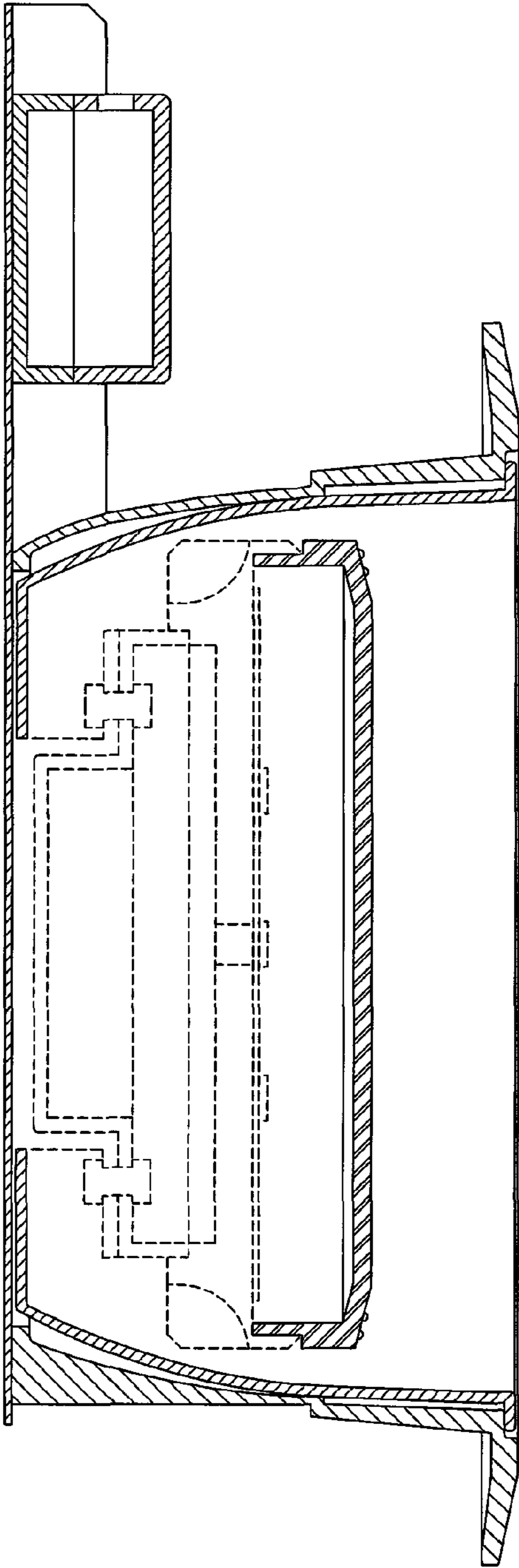


FIG. 7