



US00D636921S

(12) **United States Design Patent**
Van de Ven et al.

(10) **Patent No.:** **US D636,921 S**

(45) **Date of Patent:** **** Apr. 26, 2011**

(54) **LIGHTING DEVICE**

(75) Inventors: **Antony Paul Van de Ven**, Hong Kong SAR (CN); **Wai Kwan Chan**, Hong Kong SAR (CN); **James Michael Lay**, Cary, NC (US); **Nick Hoang Nguyen**, Durham, NC (US); **Nathan R. Snell**, Raleigh, NC (US)

(73) Assignee: **Cree, Inc.**, Durham, NC (US)

(**) Term: **14 Years**

(21) Appl. No.: **29/353,900**

(22) Filed: **Jan. 15, 2010**

(51) **LOC (9) Cl.** **26-05**

(52) **U.S. Cl.** **D26/74**

(58) **Field of Classification Search** D26/74,
D26/72, 24, 36, 59, 118, 133, 134; 362/145,
362/147, 148, 150, 151, 153, 218, 217.06,
362/217.07, 294, 296.01, 296.06, 296.07,
362/296.08, 311.07, 311.09, 364, 365, 373;
D13/179

See application file for complete search history.

(56) **References Cited**

U.S. PATENT DOCUMENTS

D474,298	S	*	5/2003	Lecluze	D26/74
D476,108	S	*	6/2003	Lecluze	D26/74
D490,181	S	*	5/2004	Redfern	D26/72
D546,999	S	*	7/2007	Rashidi	D26/118
D551,384	S	*	9/2007	Rashidi	D26/118
D551,797	S	*	9/2007	Rashidi	D26/118
D562,489	S	*	2/2008	Rashidi	D26/74
D562,490	S	*	2/2008	Rashidi	D26/74
D570,531	S	*	6/2008	Rashidi	D26/118
D571,036	S	*	6/2008	Rashidi	D26/118
D601,293	S	*	9/2009	MacKenzie	D26/74
D601,739	S	*	10/2009	Chan et al.	D26/74
2010/0039829	A1	*	2/2010	Tsai	362/373

OTHER PUBLICATIONS

U.S. Appl. No. 29/344,219, filed Sep. 25, 2009, Van de Ven et al.

U.S. Appl. No. 12,566,861, filed Sep. 25, 2009, Van de Ven et al.

* cited by examiner

Primary Examiner — Angela J Lee

(74) *Attorney, Agent, or Firm* — Burr & Brown

(57) **CLAIM**

The ornamental design for a lighting device, as shown and described.

DESCRIPTION

FIG. 1 is a first perspective view of the lighting device in accordance with our new design;

FIG. 2 is a second perspective view thereof;

FIG. 3 is a front view thereof;

FIG. 4 is a right side view thereof;

FIG. 5 is a back view thereof;

FIG. 6 is a left view thereof;

FIG. 7 is a top view thereof;

FIG. 8 is a bottom view thereof;

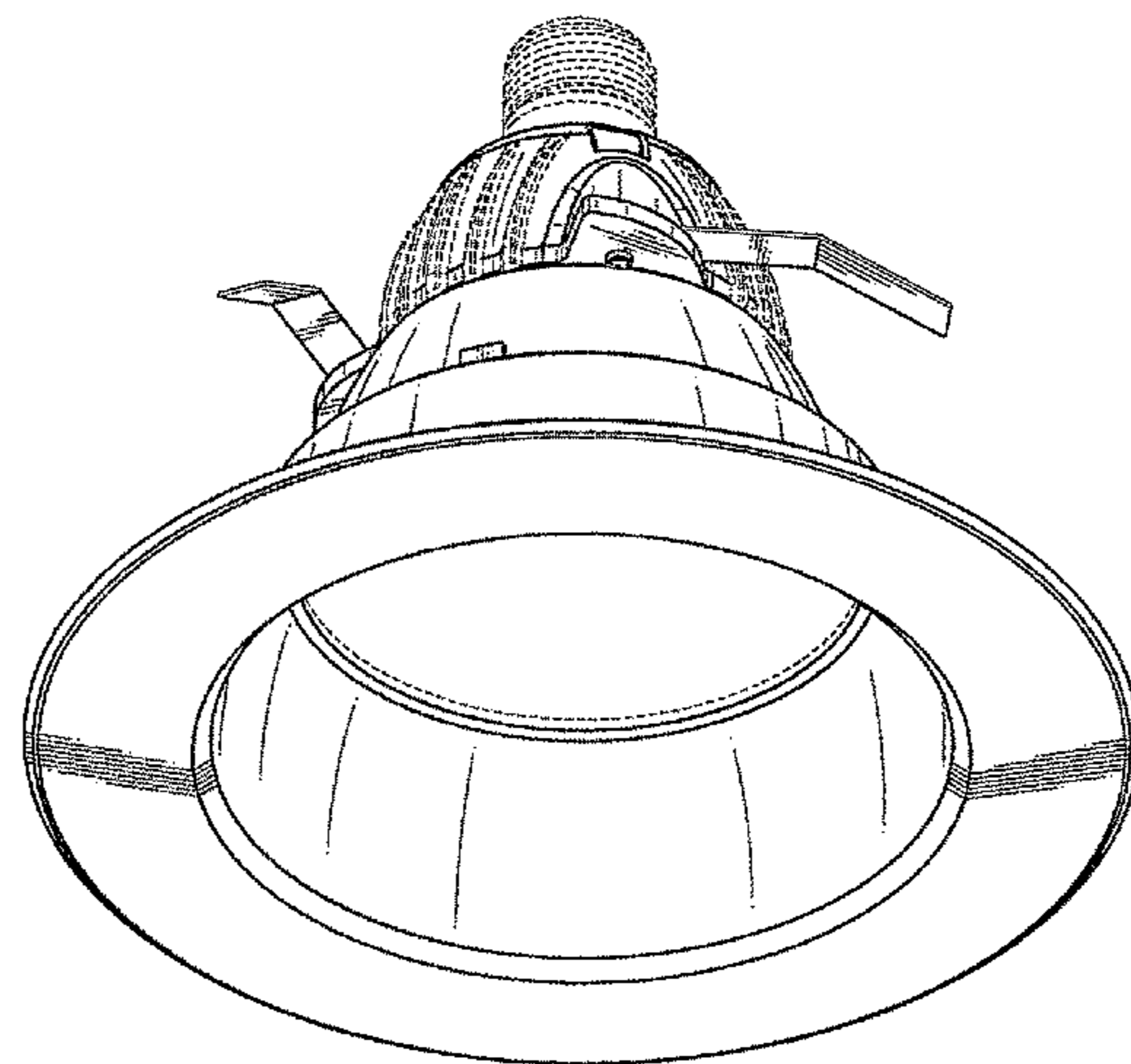
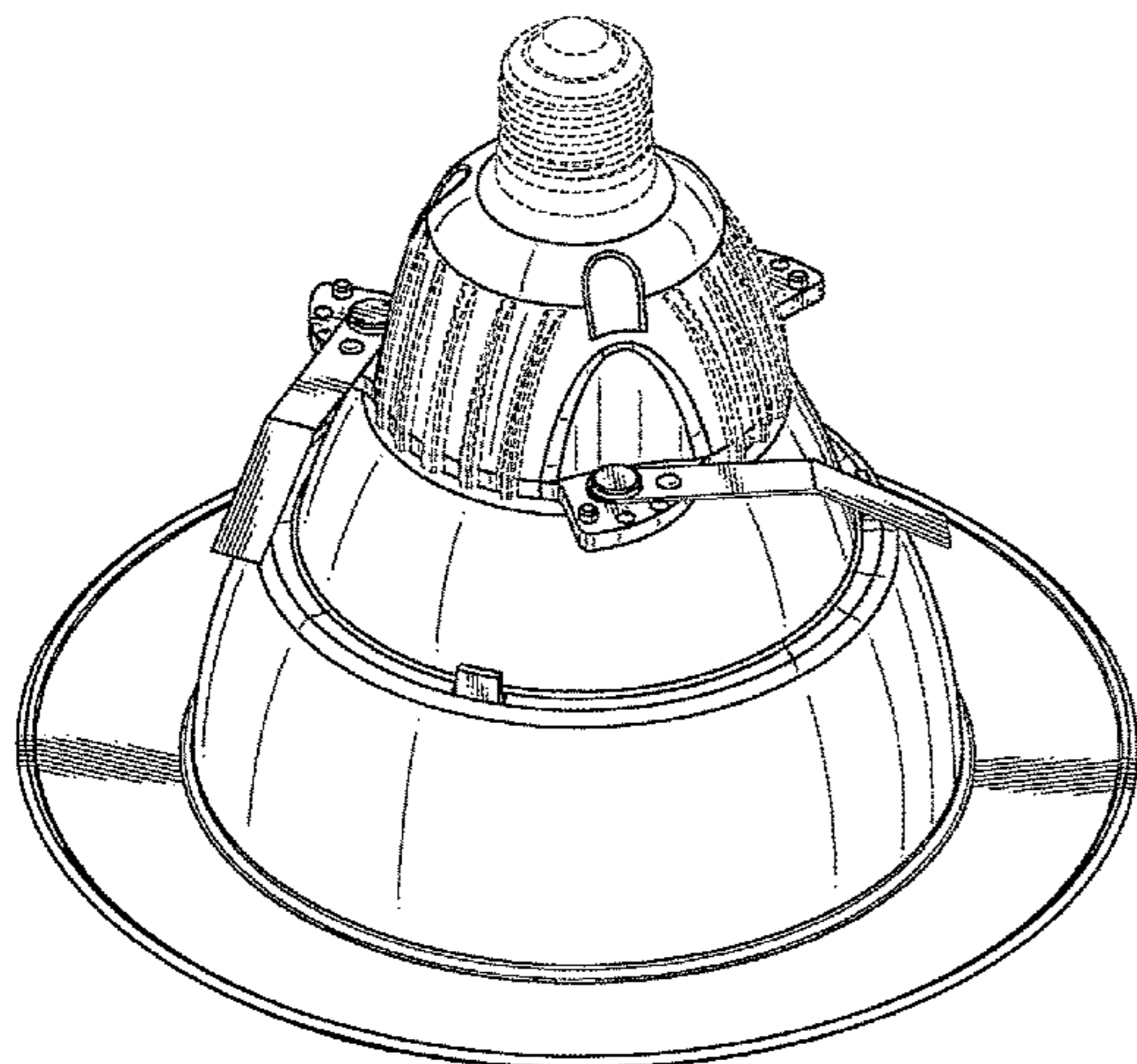
FIG. 9 is a perspective view of a second embodiment of a lighting device in accordance with our new design as shown in FIGS. 1-8, but with a GU 24 connector (shown in broken lines) instead of an Edison connector (shown in broken lines in FIGS. 1-7); and

FIG. 10 is a perspective view of the lighting device depicted in FIGS. 1-8, with the three clips shown in an alternative orientation; and,

FIG. 11 is a perspective view of the lighting device depicted in FIG. 9, with the three clips shown in an alternative orientation.

The portions of the drawings shown in broken lines represent environmental structure and form no part of the claimed design.

1 Claim, 7 Drawing Sheets



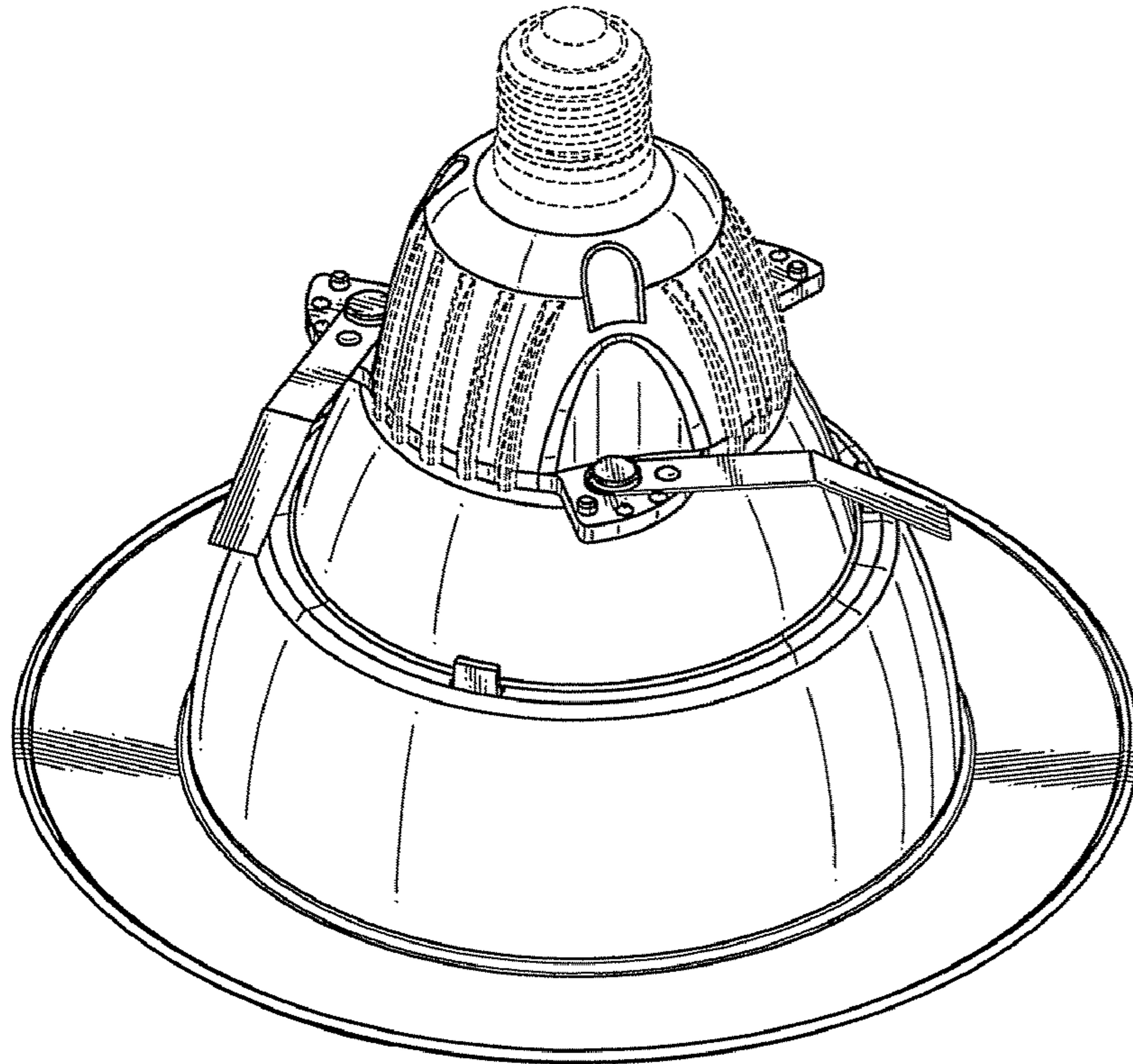


FIG. 1

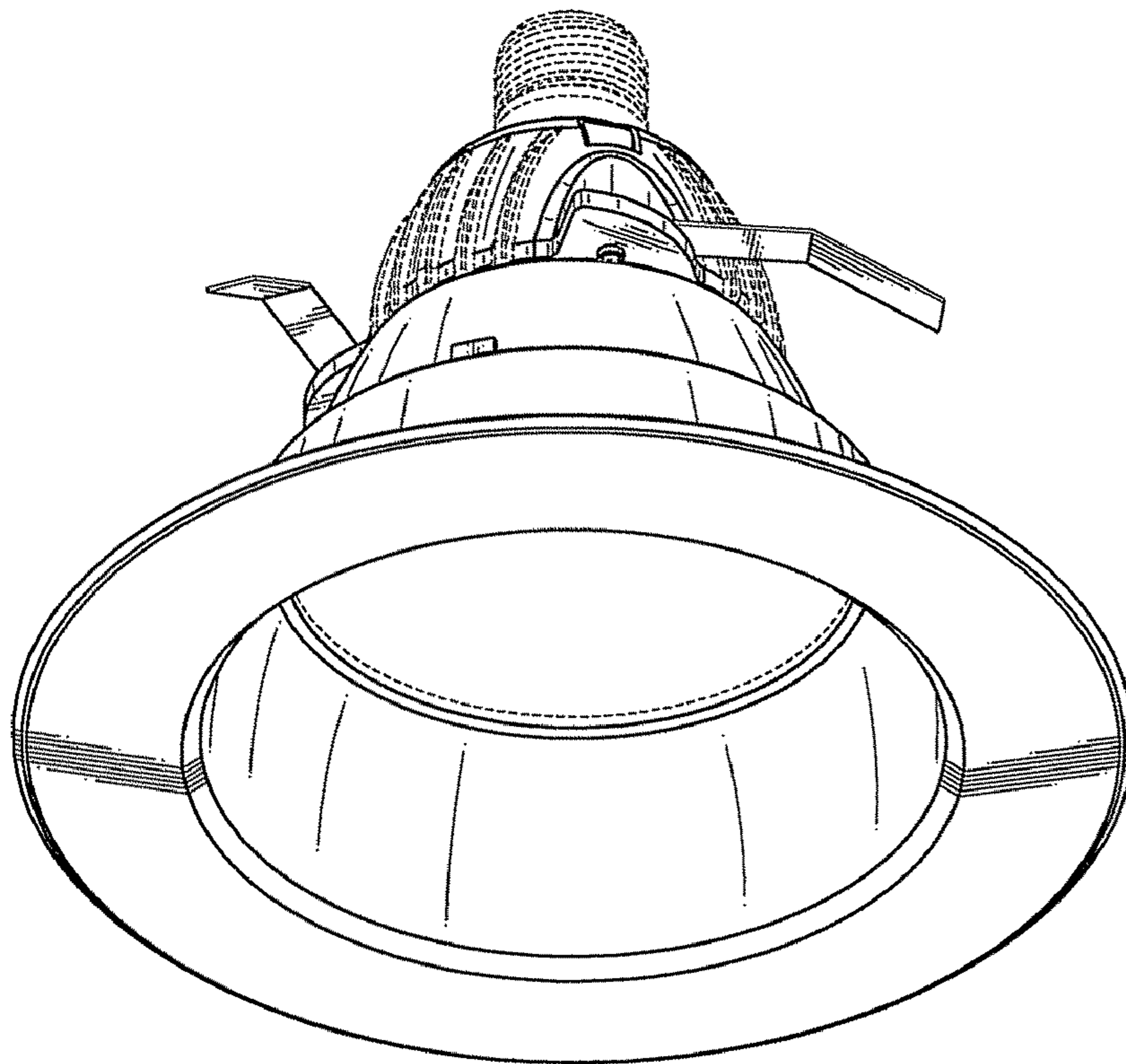


FIG. 2

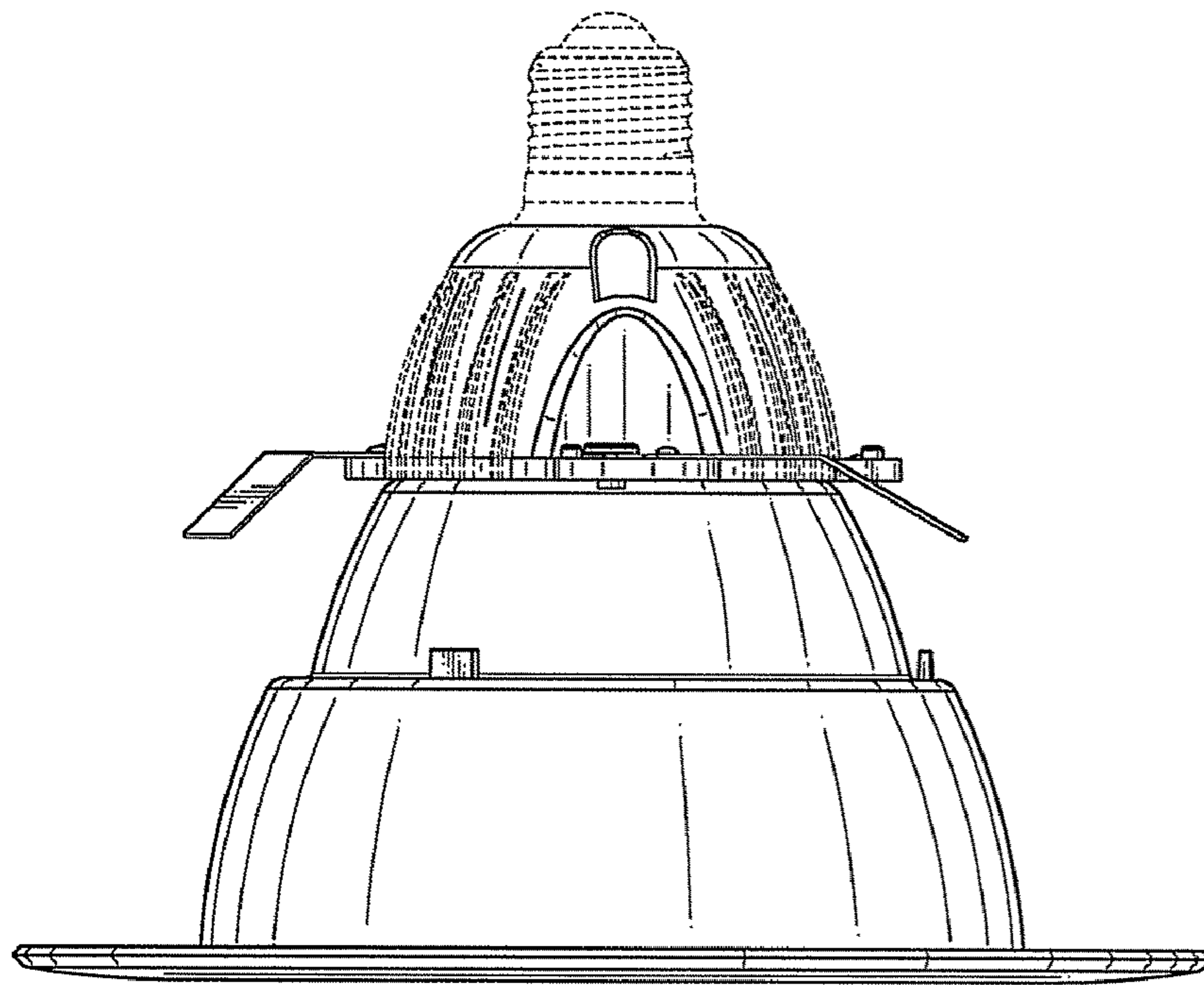


FIG.3

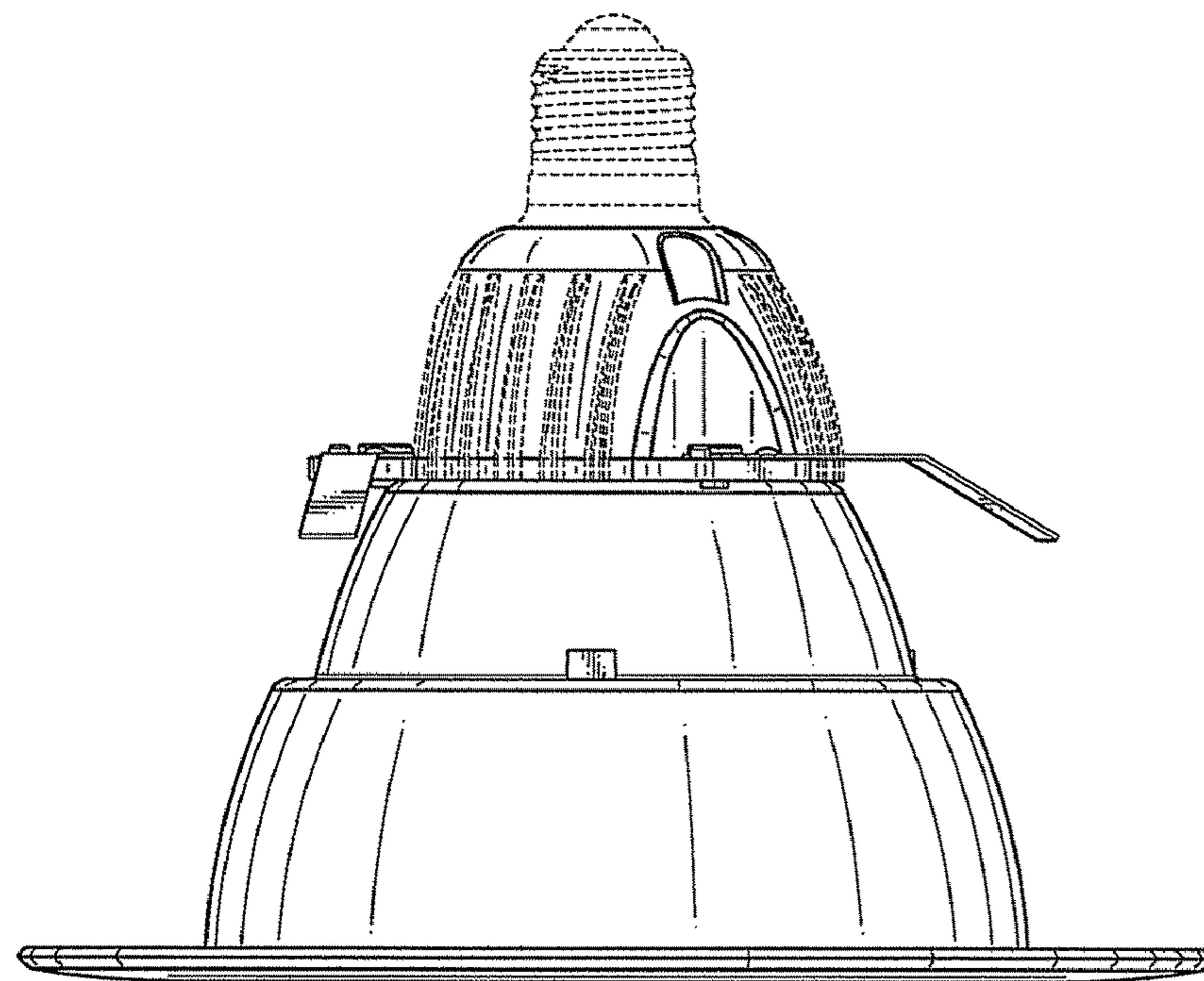


FIG.4

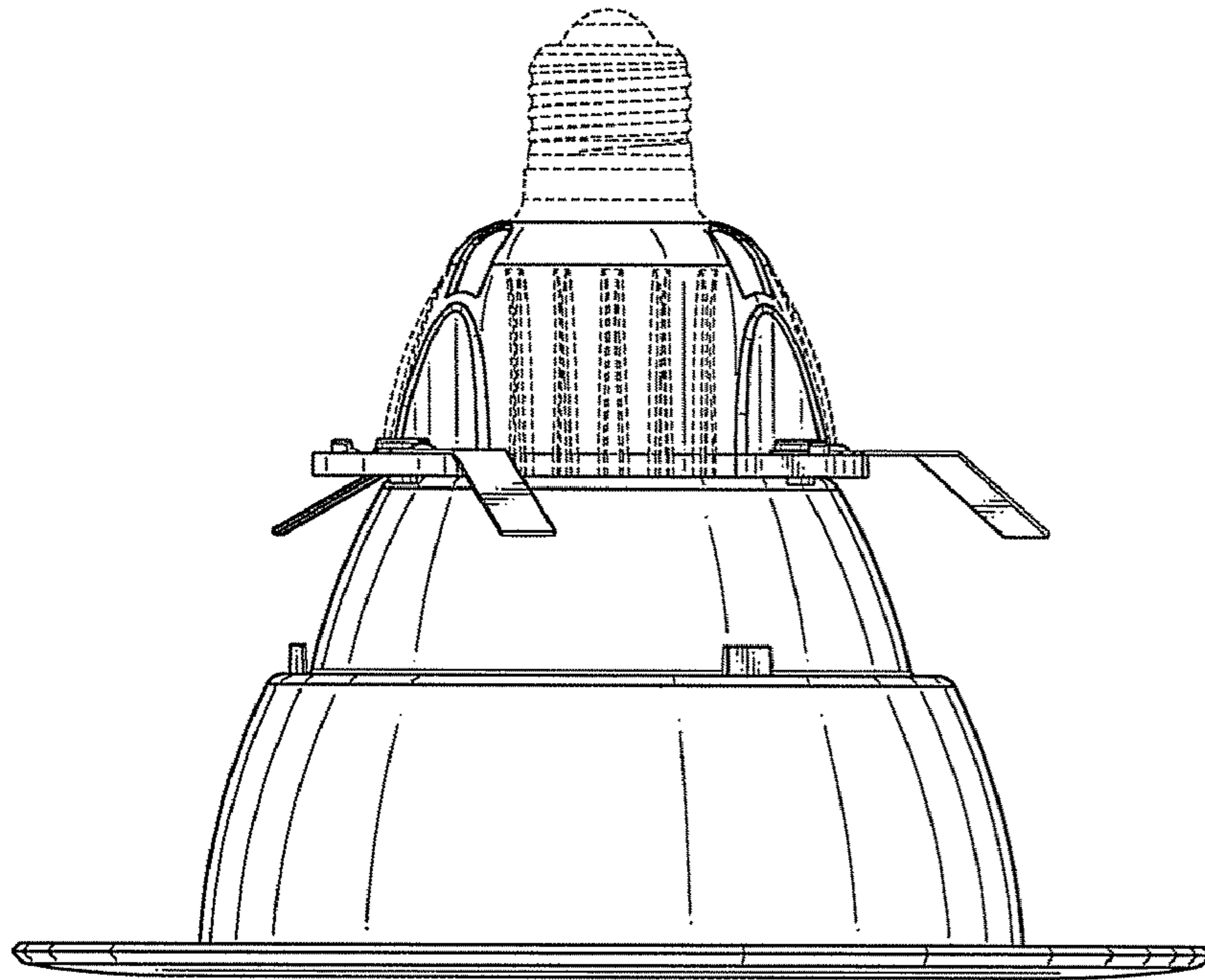


FIG. 5

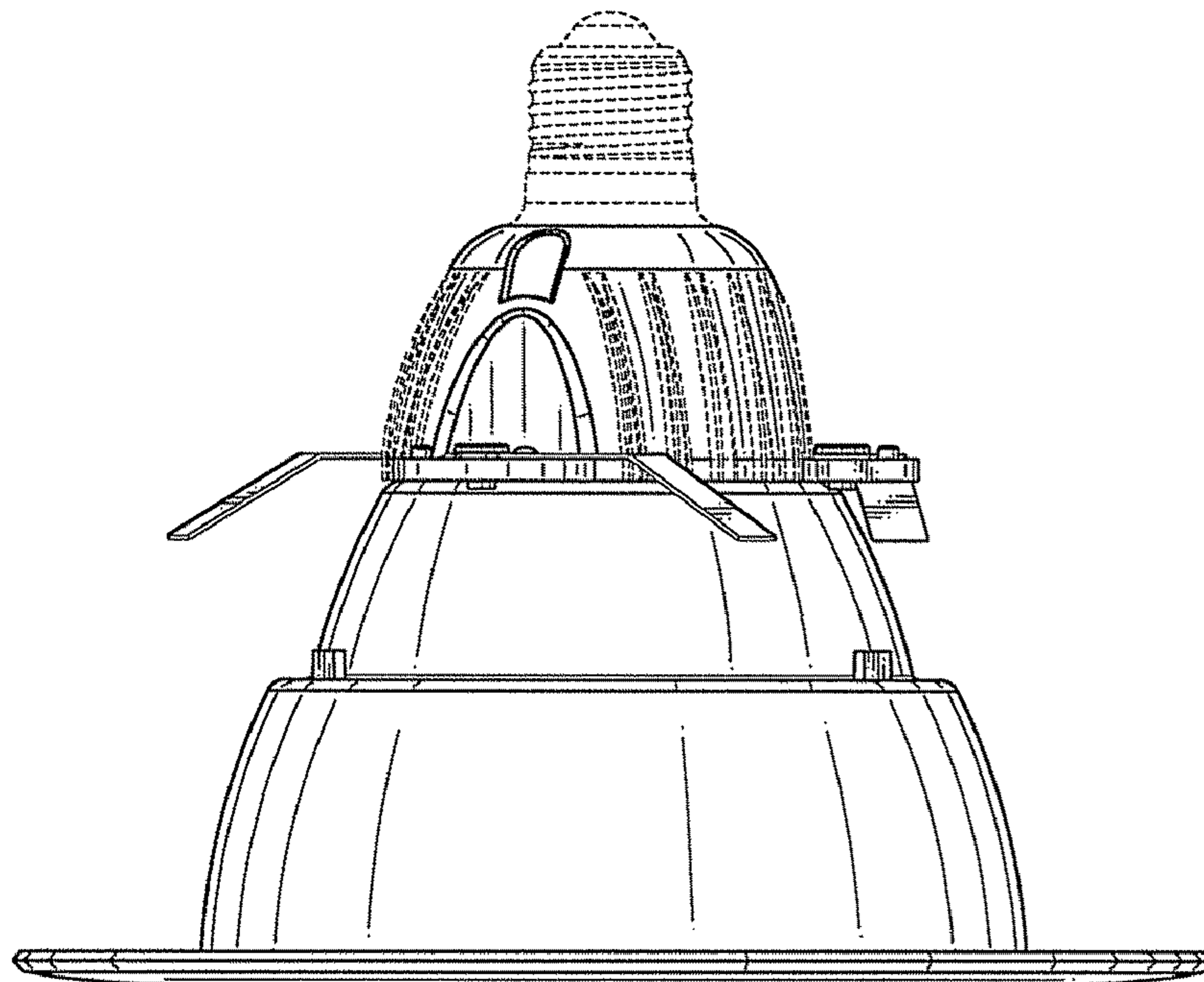


FIG. 6

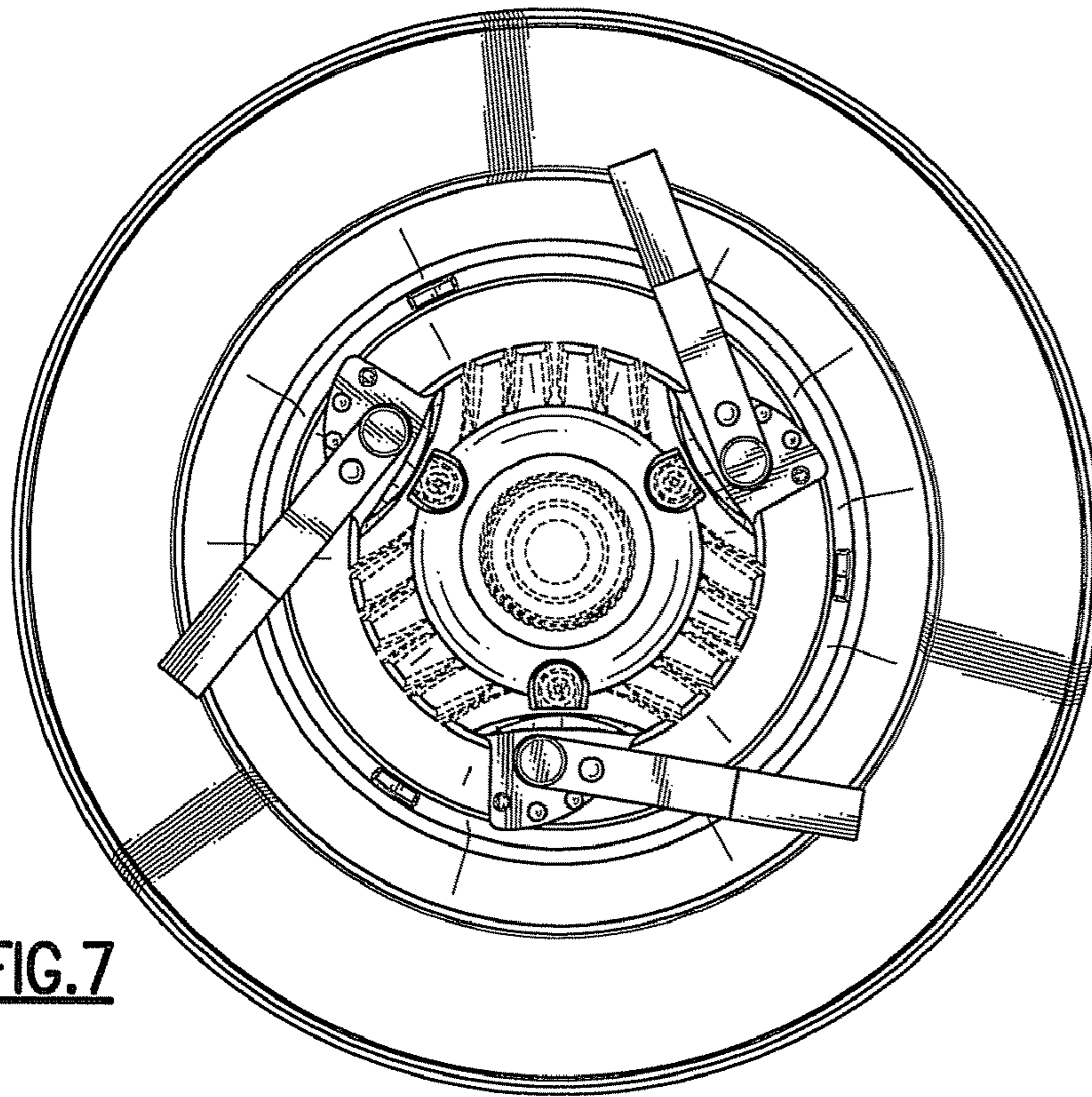


FIG. 7

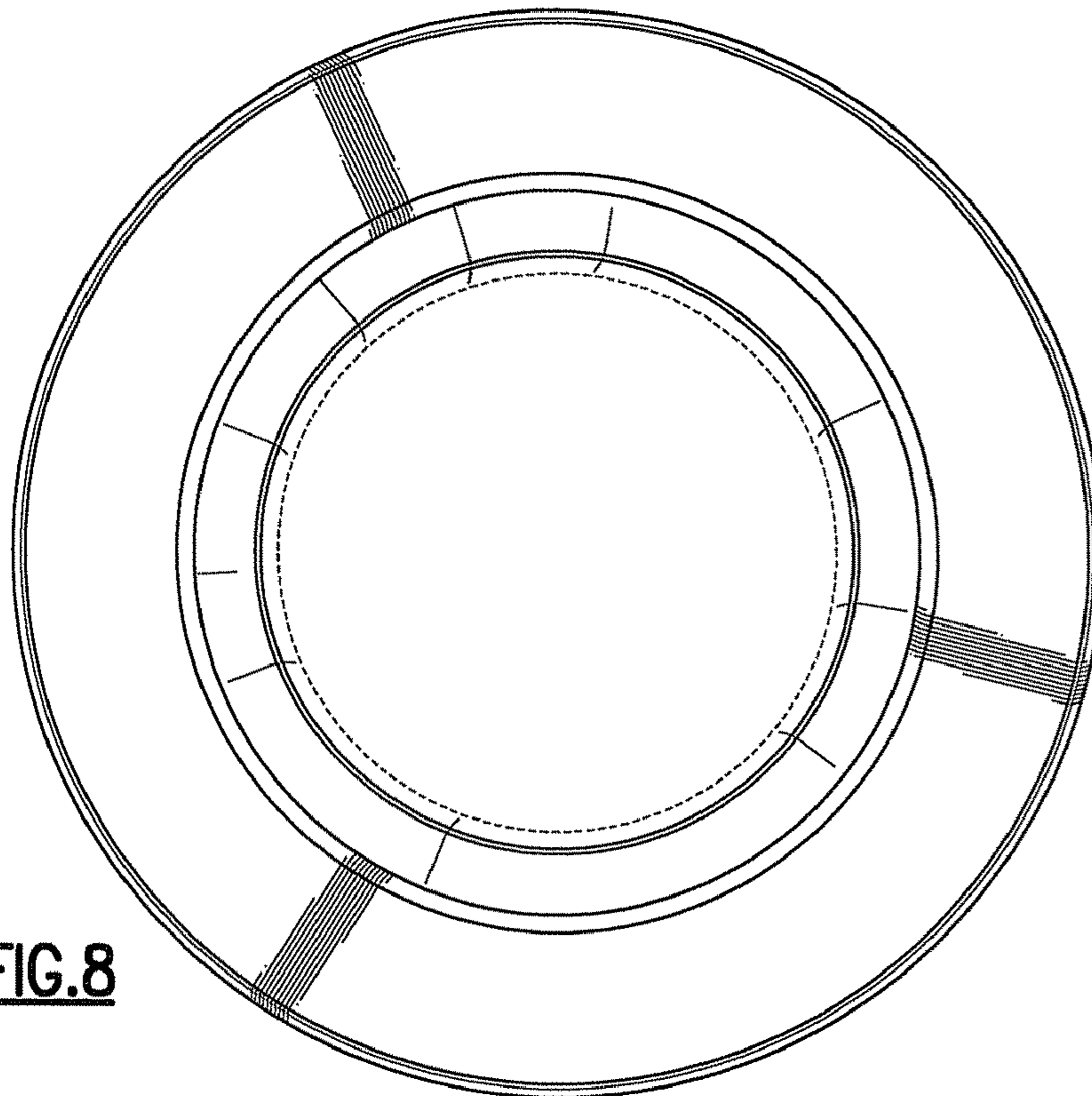


FIG. 8

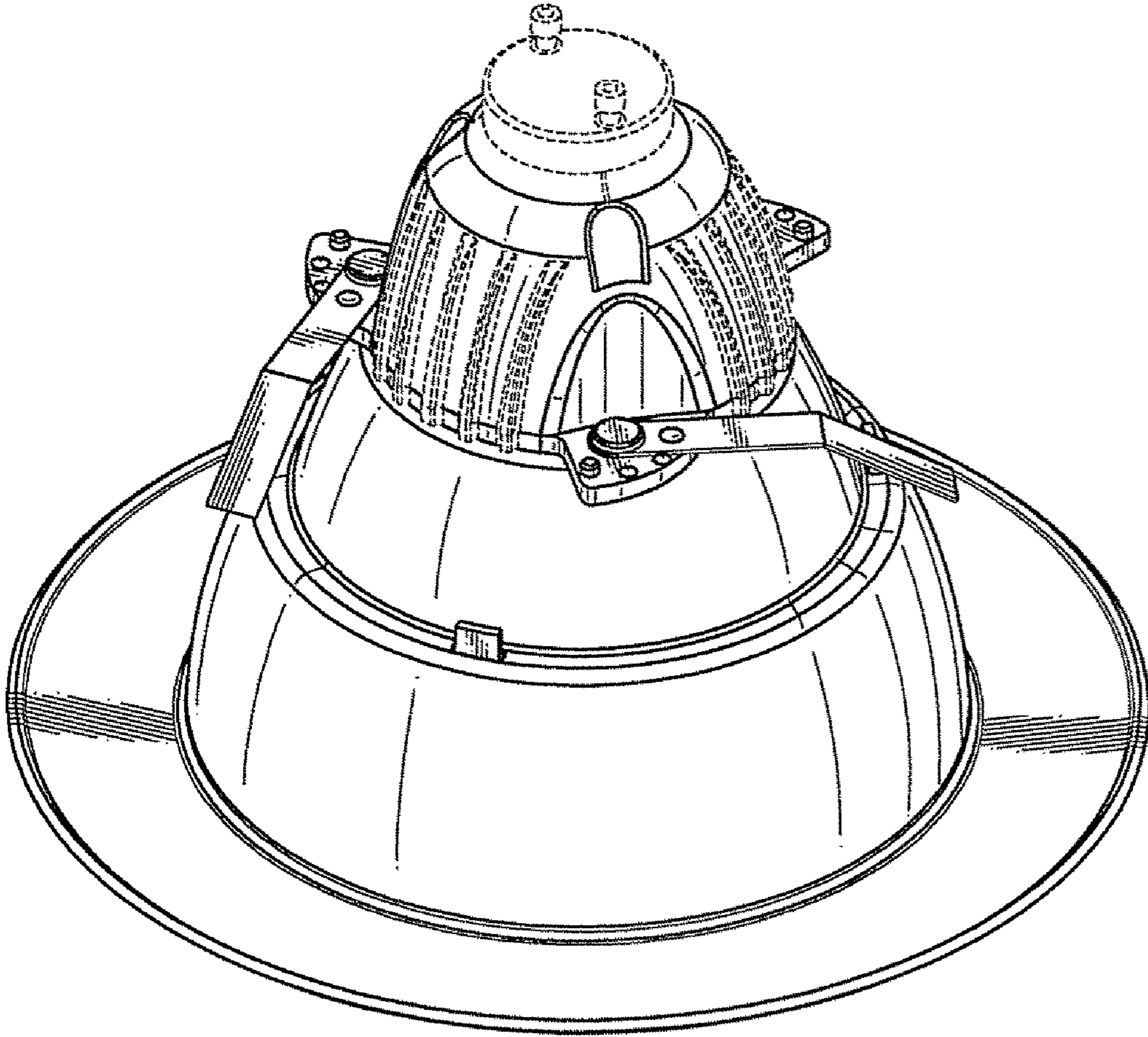


FIG.9

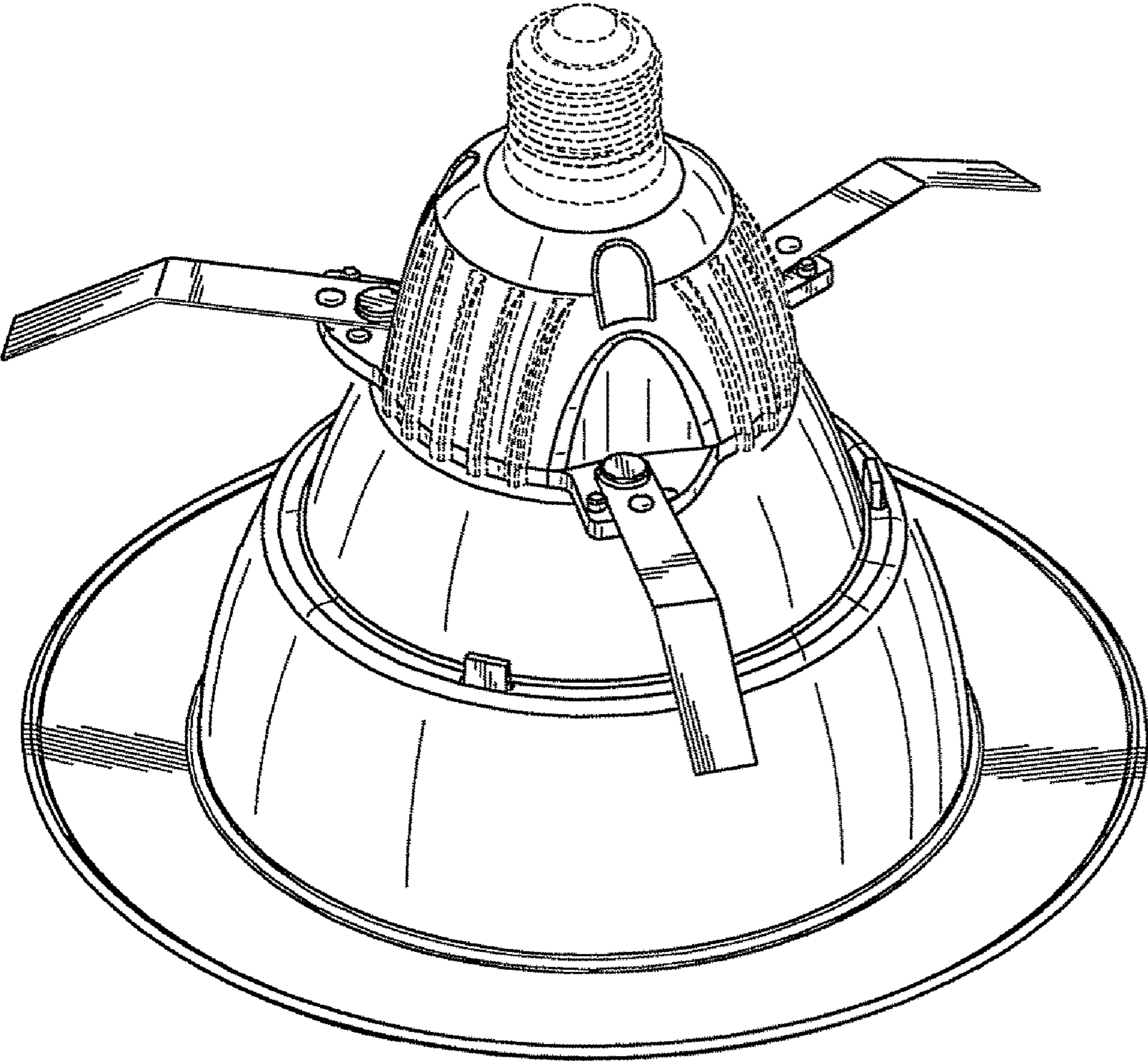


FIG. 10

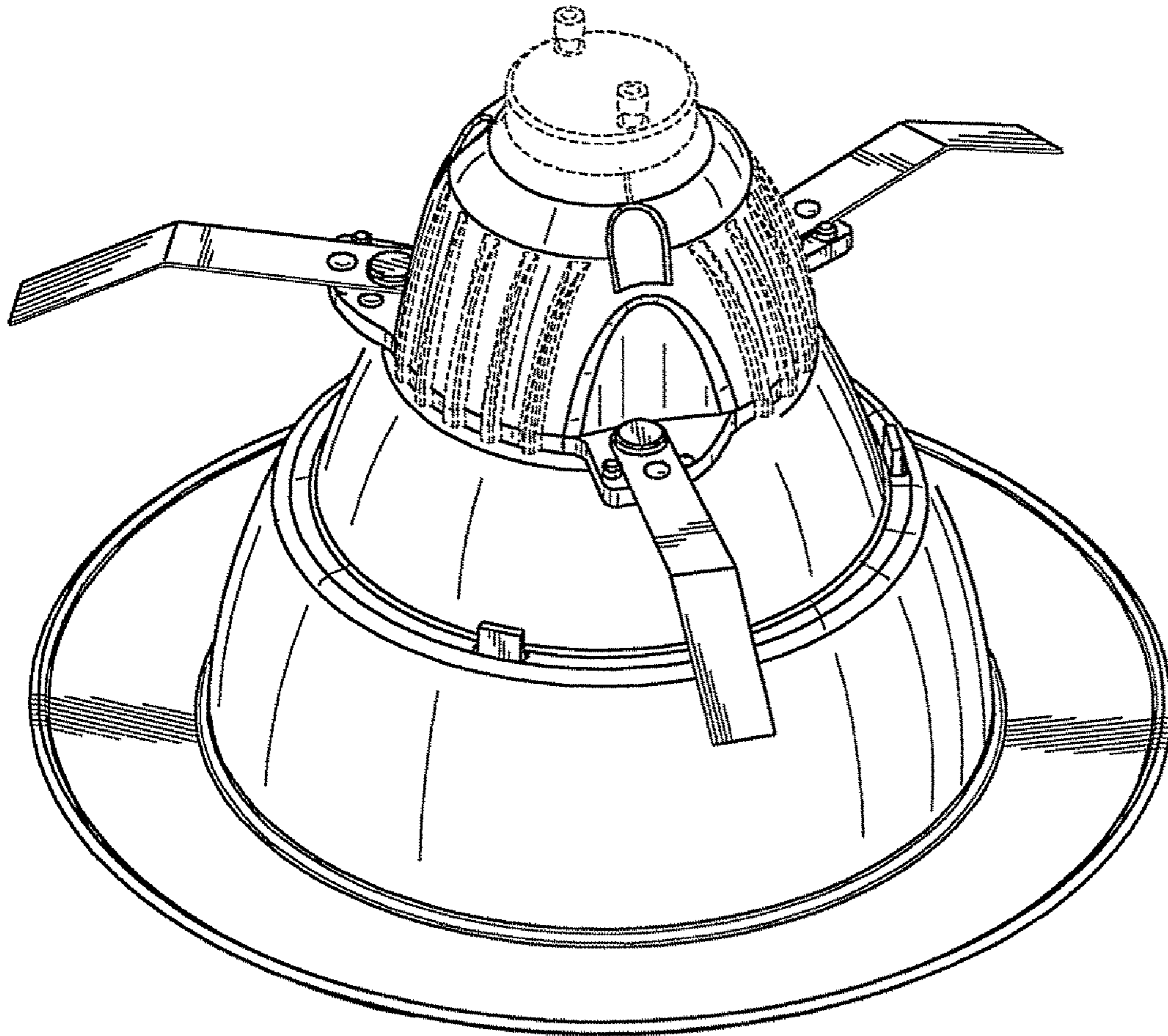


FIG. 11