



US00D636920S

(12) **United States Design Patent**
Boissevain

(10) **Patent No.:** **US D636,920 S**

(45) **Date of Patent:** **** Apr. 26, 2011**

(54) **LUMINAIRE FOR ROAD LIGHTING**

(75) **Inventor:** **Christopher James Boissevain,**
Wimberley, TX (US)

(73) **Assignee:** **Koninklijke Philips Electronics N.V.,**
Eindhoven (NL)

(**) **Term:** **14 Years**

(21) **Appl. No.:** **29/365,325**

(22) **Filed:** **Jul. 8, 2010**

(51) **LOC (9) Cl.** **26-05**

(52) **U.S. Cl.** **D26/71**

(58) **Field of Classification Search** D26/67-71,
D26/85, 92; 362/145, 183, 231, 240, 249.02,
362/249.03, 249.04, 249.06, 249.16, 373,
362/431, 432

See application file for complete search history.

(56) **References Cited**

U.S. PATENT DOCUMENTS

3,183,346	A *	5/1965	Rodmaker et al.	362/218
D228,667	S *	10/1973	Anderson, Jr.	D26/71
D391,659	S *	3/1998	Gaskins et al.	D26/71
D501,947	S *	2/2005	Haugaard et al.	D26/71
D531,342	S *	10/2006	Kauffman et al.	D26/68

D556,935	S *	12/2007	Quioque et al.	D26/71
D580,582	S *	11/2008	Fan	D26/71
D614,336	S *	4/2010	Zheng et al.	D26/71
D615,235	S *	5/2010	Zheng	D26/71
D621,988	S *	8/2010	Zheng et al.	D26/71
2006/0056169	A1 *	3/2006	Lodhie et al.	362/97
2008/0137327	A1 *	6/2008	Hodulik	362/183
2009/0244895	A1 *	10/2009	Chen	362/249.02

* cited by examiner

Primary Examiner — Clare E Heflin

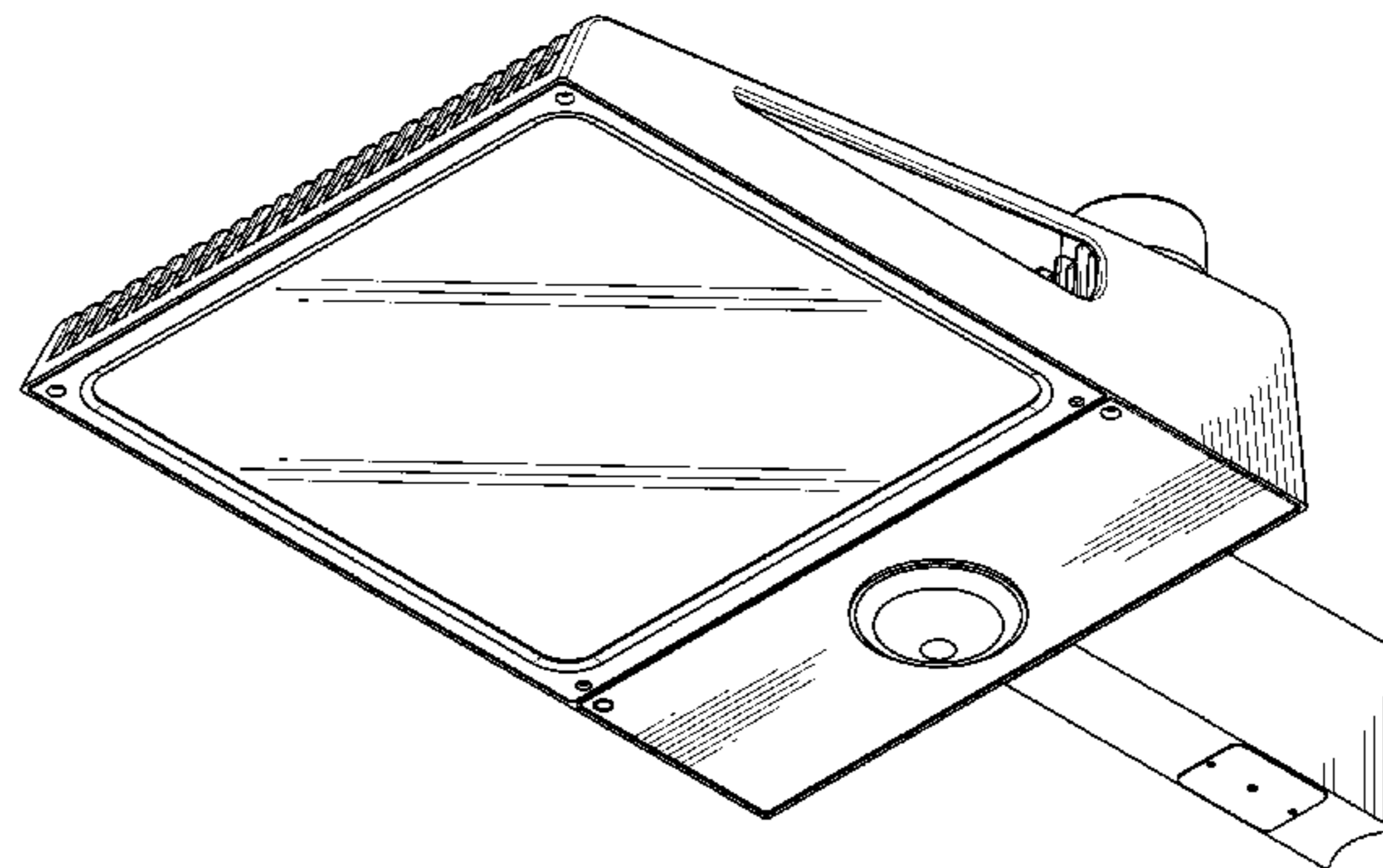
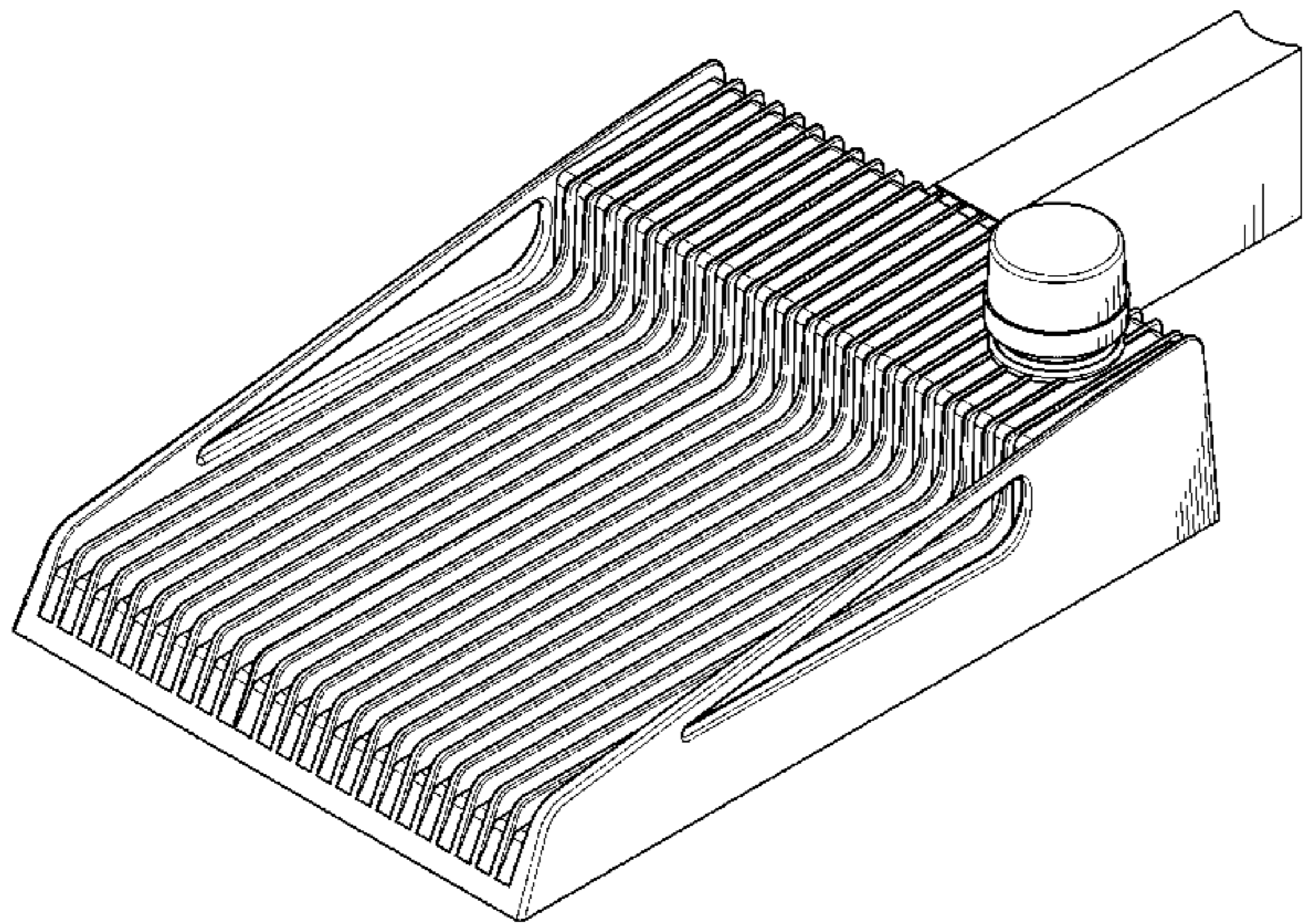
(57) **CLAIM**

The ornamental design for a luminaire for road lighting, as shown.

DESCRIPTION

FIG. 1 is top front right perspective view of a lighting fixture of the present invention;
FIG. 2 is a front view of the lighting fixture of FIG. 1;
FIG. 3 is a rear view of the lighting fixture of FIG. 1;
FIG. 4 is a right side view of the lighting fixture of FIG. 1;
FIG. 5 is a left side view of the lighting fixture of FIG. 1;
FIG. 6 is a top view of the lighting fixture of FIG. 1;
FIG. 7 is a bottom view of the lighting fixture of FIG. 1; and,
FIG. 8 is a lower front right perspective view of the lighting fixture of FIG. 1.

1 Claim, 8 Drawing Sheets



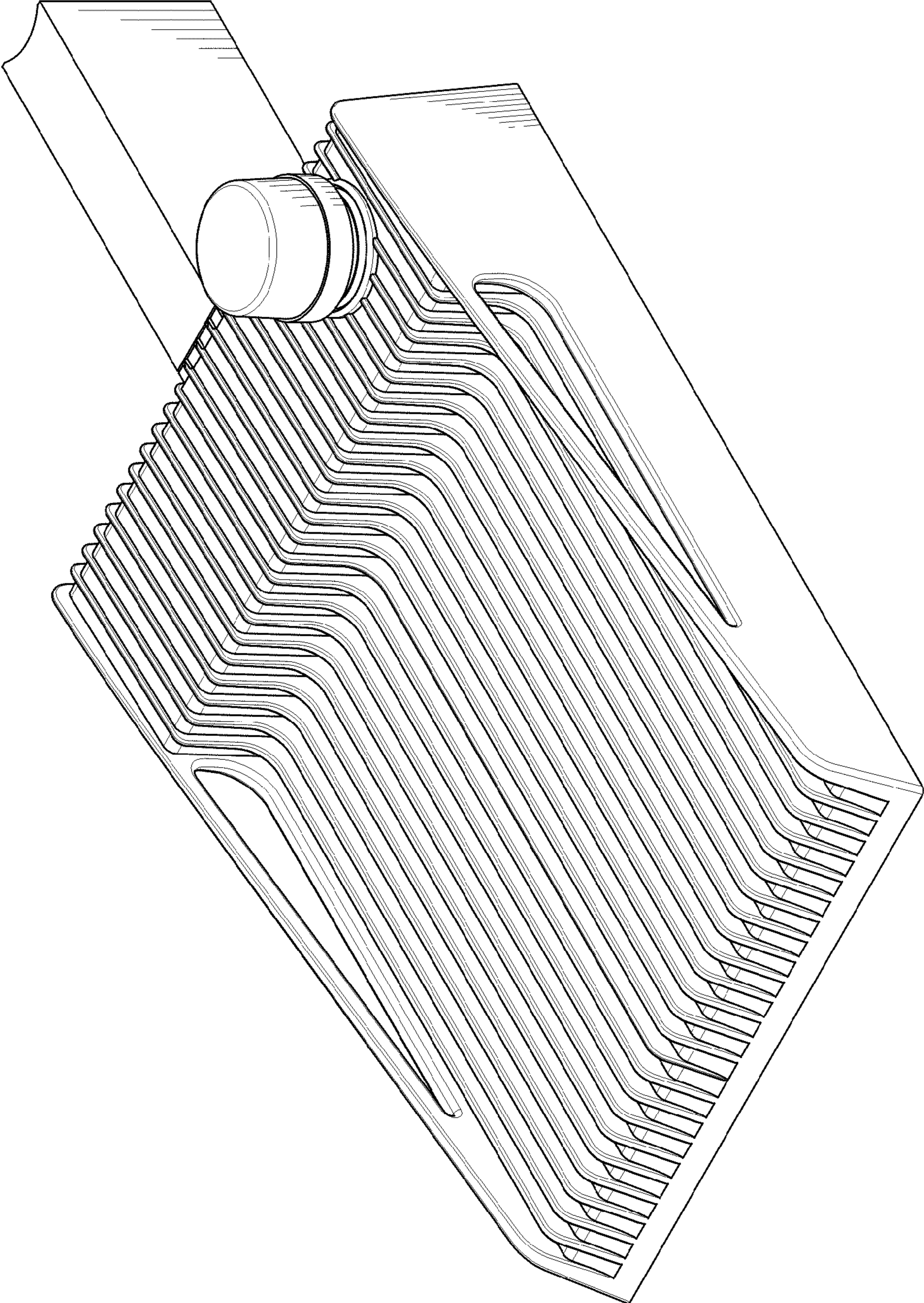


FIG. 1

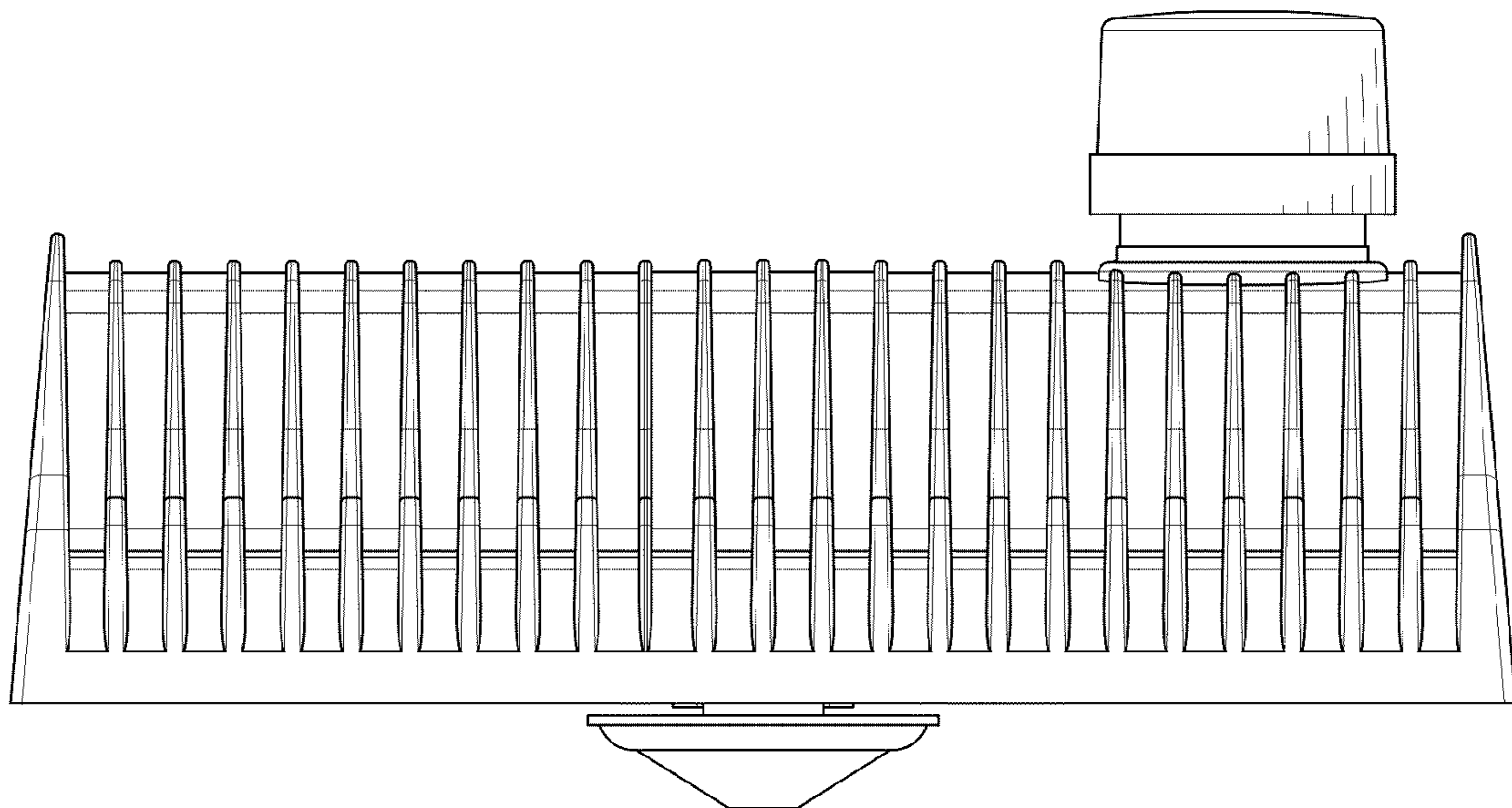


FIG. 2

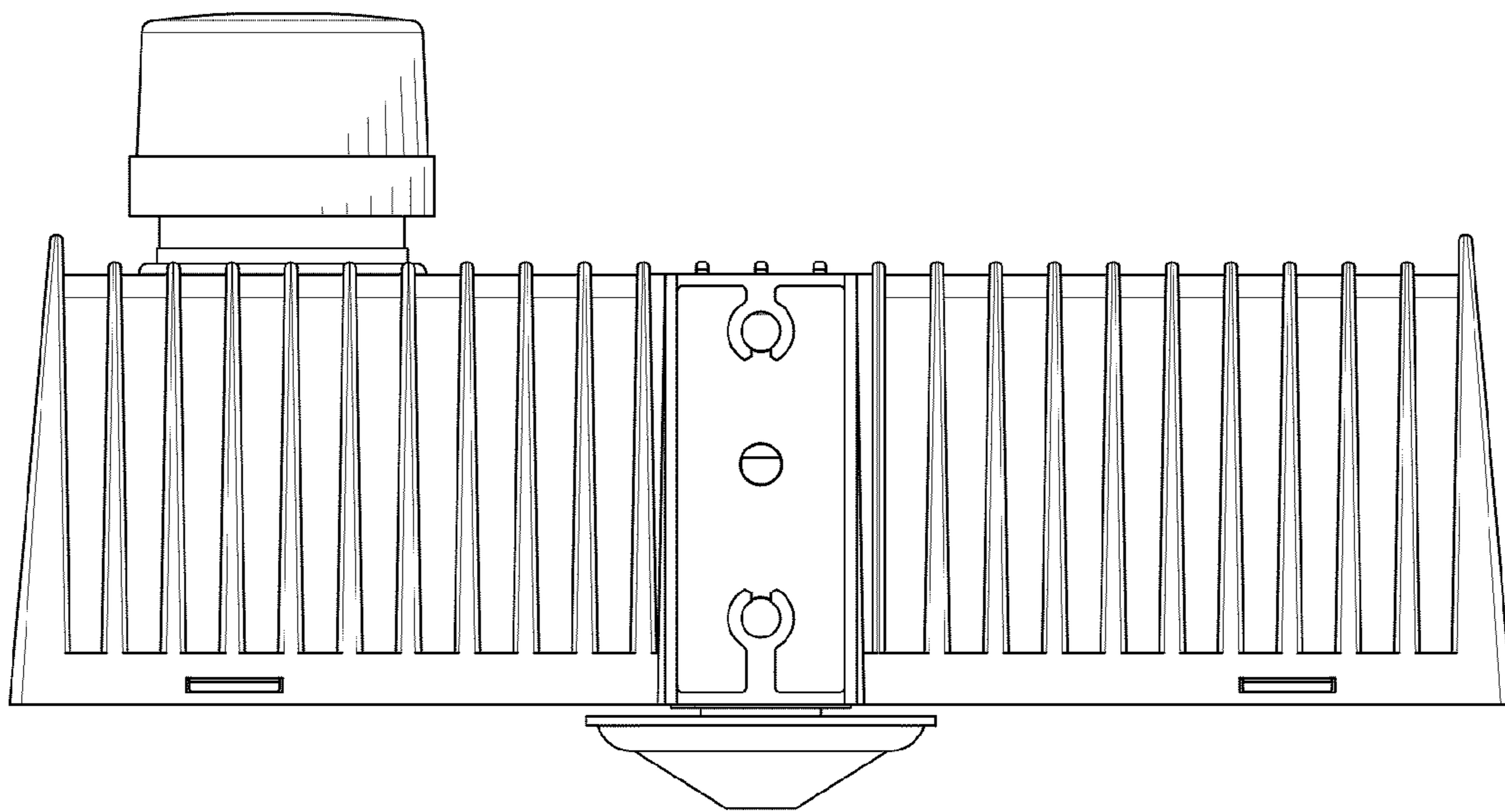


FIG. 3

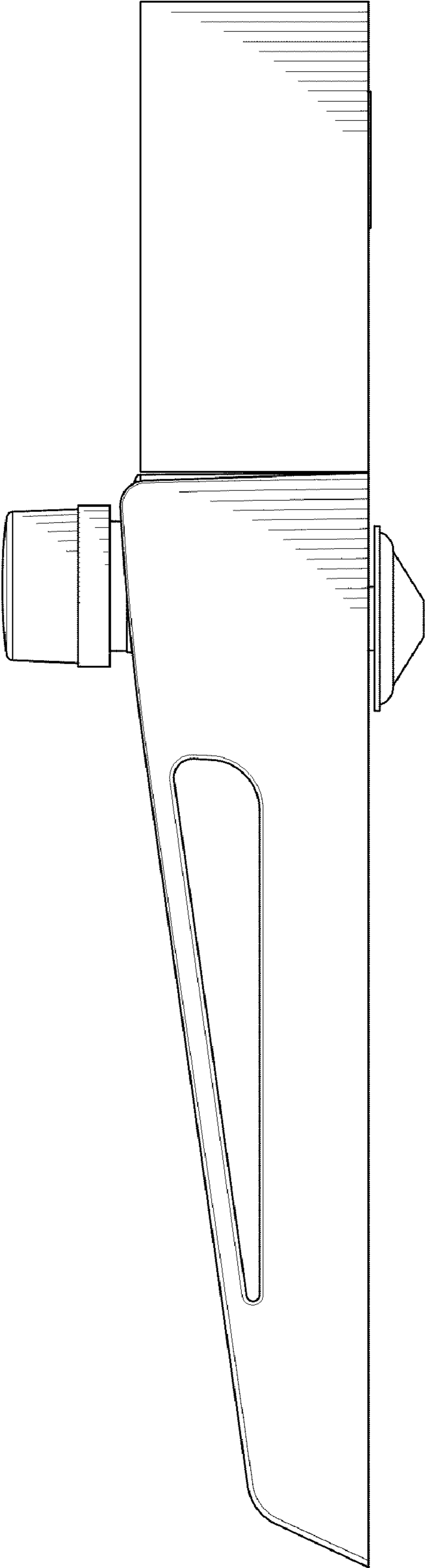


FIG. 4

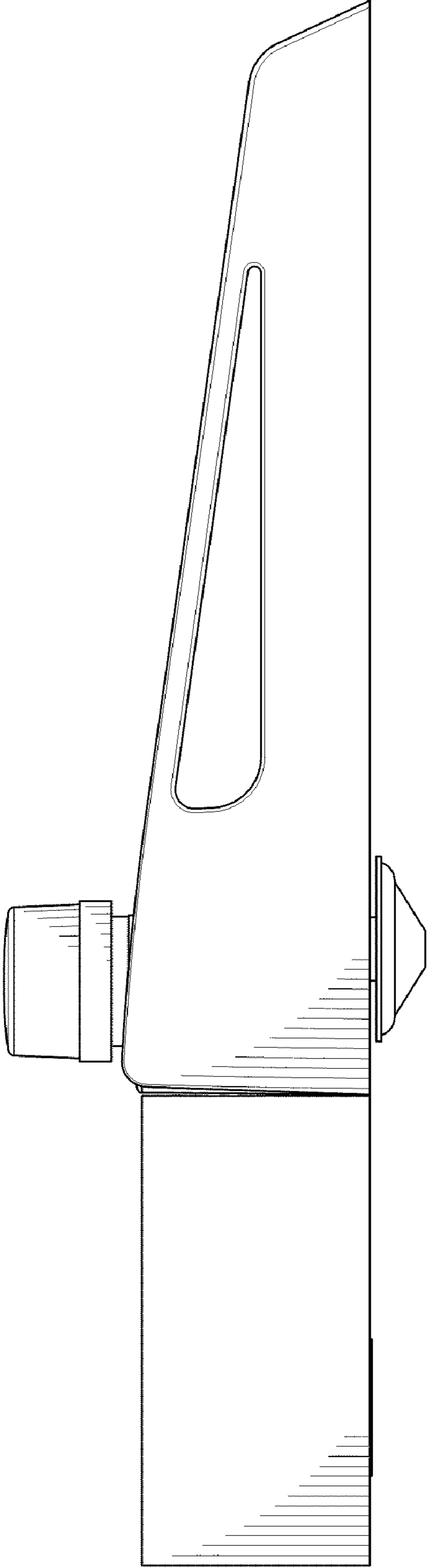


FIG. 5

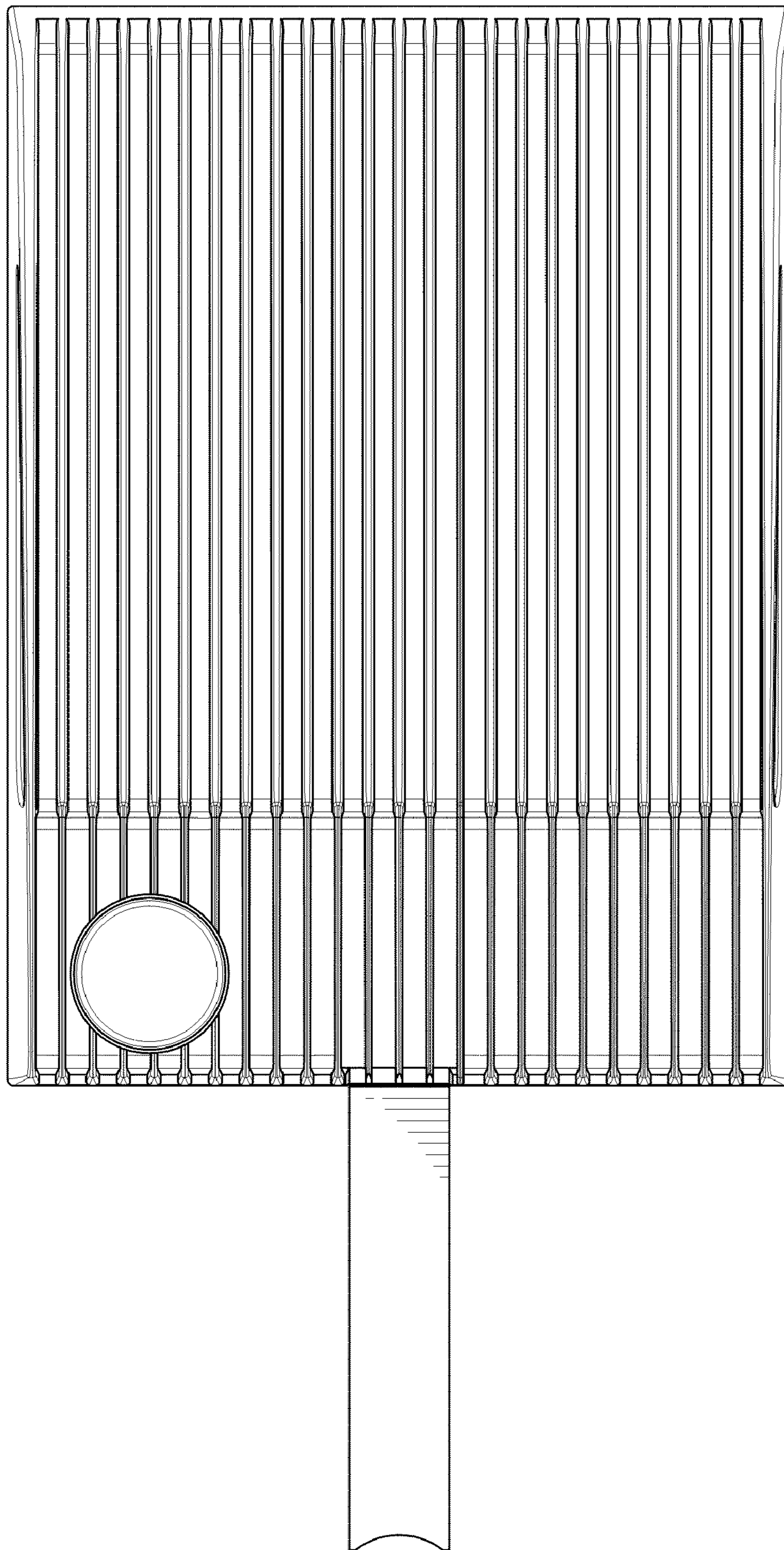


FIG. 6

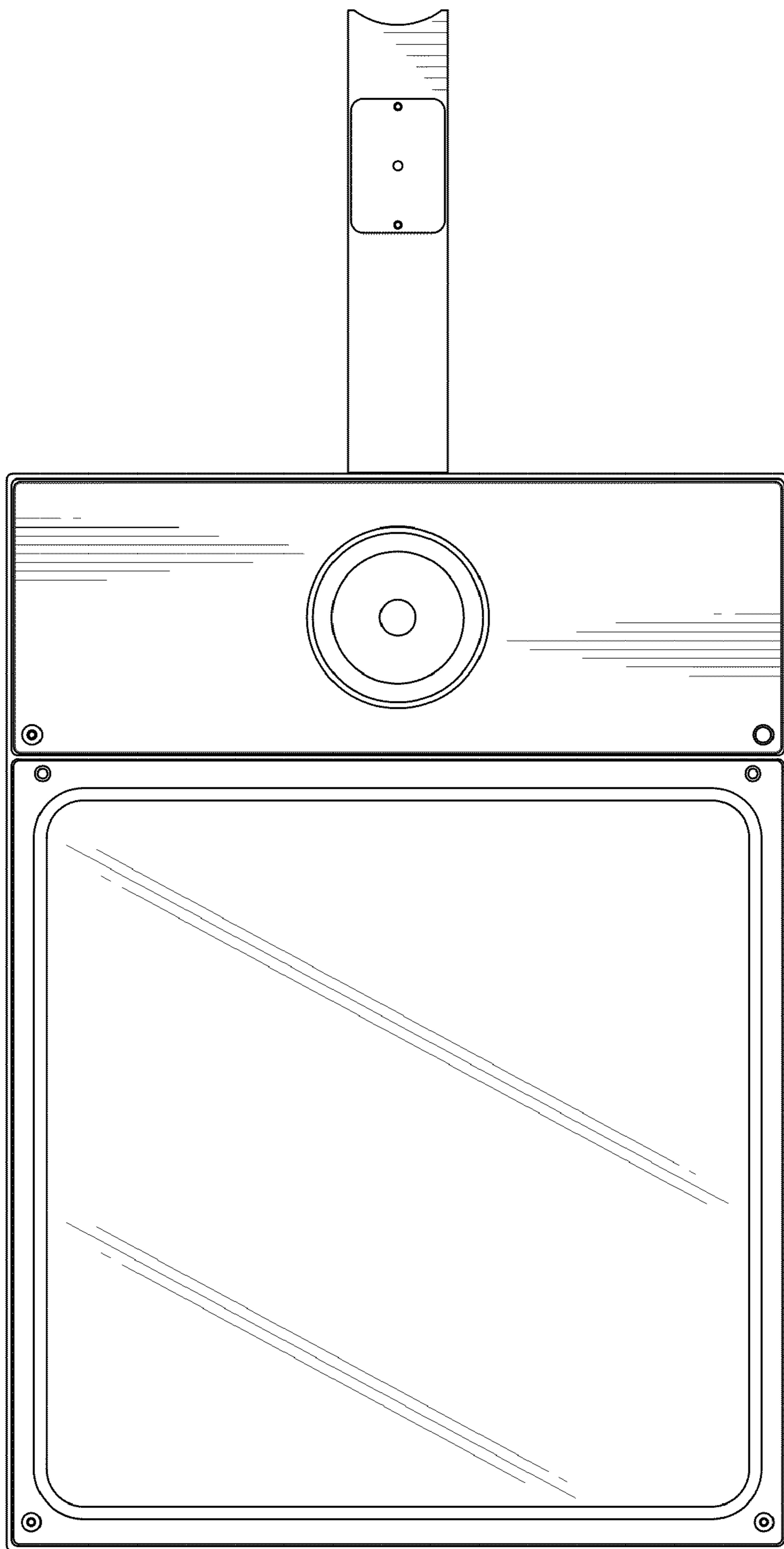


FIG. 7

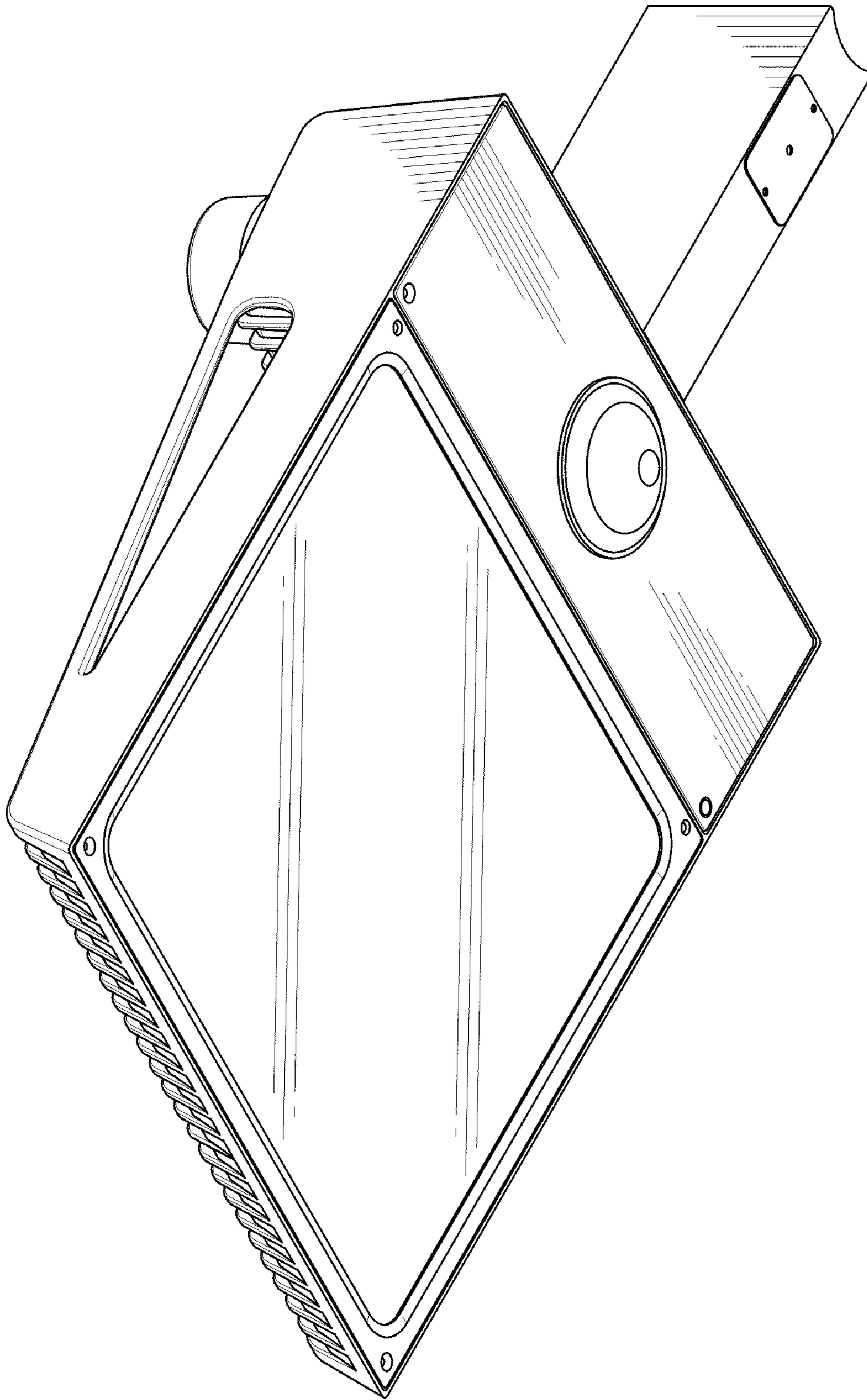


FIG. 8