



US00D636919S

(12) **United States Design Patent**
Wang et al.

(10) **Patent No.:** **US D636,919 S**
(45) **Date of Patent:** **** Apr. 26, 2011**

(54) **TABLE LAMP**

(75) Inventors: **Pao-Chuan Wang**, Taichung County (TW); **Li-Chi Hung**, Taichung (TW)

(73) Assignee: **Forhouse Corporation**, Taichung County (TW)

(**) Term: **14 Years**

(21) Appl. No.: **29/368,533**

(22) Filed: **Aug. 25, 2010**

(51) **LOC (9) Cl.** **26-05**

(52) **U.S. Cl.** **D26/63**

(58) **Field of Classification Search** D26/60-66,
D26/107-109; 362/413, 414, 418, 419, 427,
362/269, 270, 275, 277, 280-285, 287, 288,
362/806

See application file for complete search history.

(56) **References Cited**

U.S. PATENT DOCUMENTS

D290,884 S *	7/1987	Sano et al.	D26/65
D498,551 S *	11/2004	Chan	D26/37
D526,734 S *	8/2006	Brown	D26/60
D571,032 S *	6/2008	Chen	D26/61

D590,532 S *	4/2009	Levine	D26/60
D596,776 S *	7/2009	Hodgson	D26/63
D601,288 S *	9/2009	Thomson et al.	D26/63
D615,681 S *	5/2010	Thomson et al.	D26/63

* cited by examiner

Primary Examiner — Susan M Lee

Assistant Examiner — Linda G. Brooks

(74) *Attorney, Agent, or Firm* — Muncy, Geissler, Olds & Lowe, PLLC

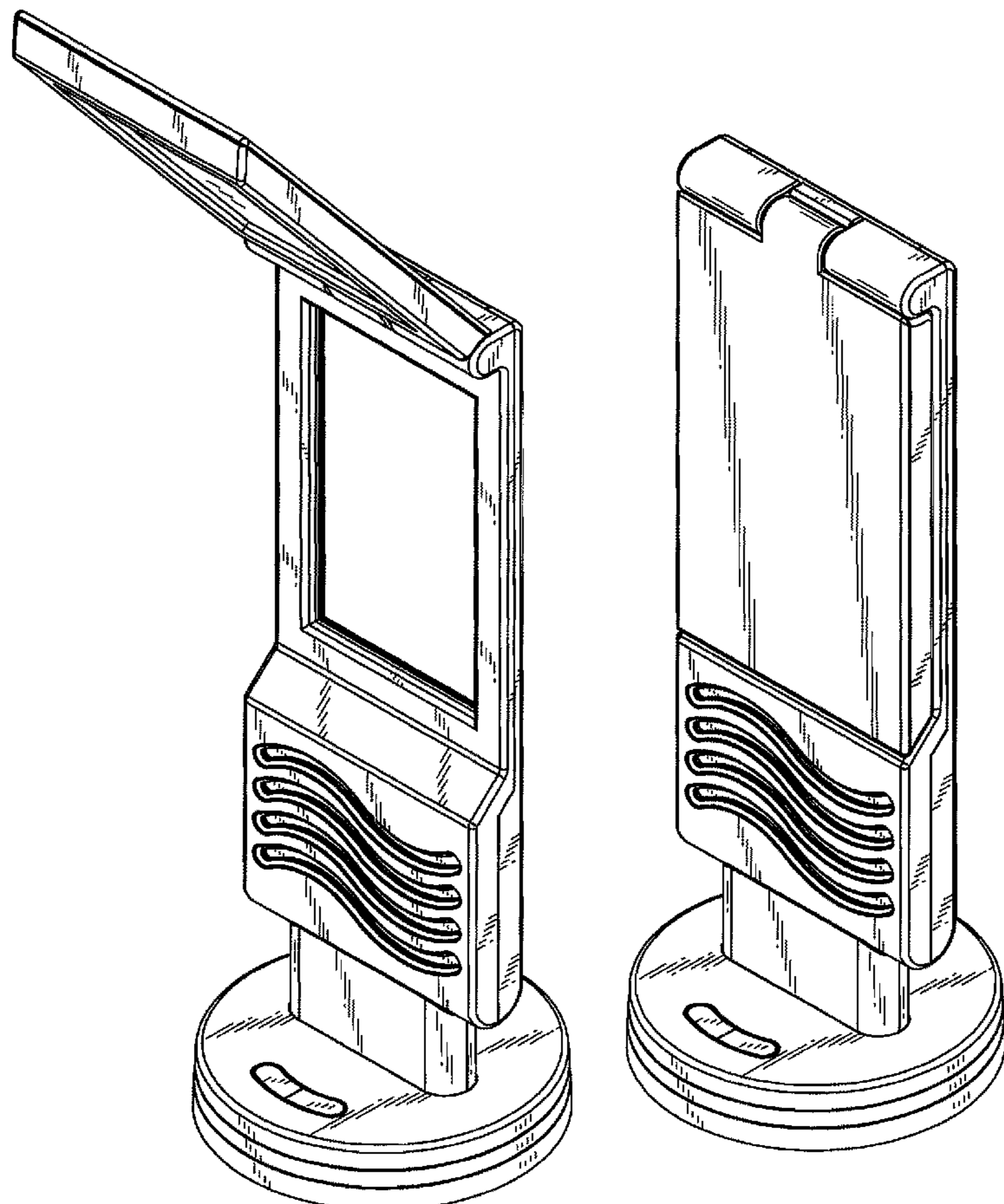
(57) **CLAIM**

The ornamental design for a table lamp, as shown and described.

DESCRIPTION

FIG. 1 shows a perspective view of the present design.
 FIG. 2 shows a front elevational view of the present design.
 FIG. 3 shows a rear elevational view of the present design.
 FIG. 4 shows a right side elevational view of the present design.
 FIG. 5 shows a left side elevational view of the present design.
 FIG. 6 shows a top plan view of the present design.
 FIG. 7 shows a bottom plan view of the present design; and,
 FIG. 8 is a perspective view showing a folded status of the present design.

1 Claim, 7 Drawing Sheets



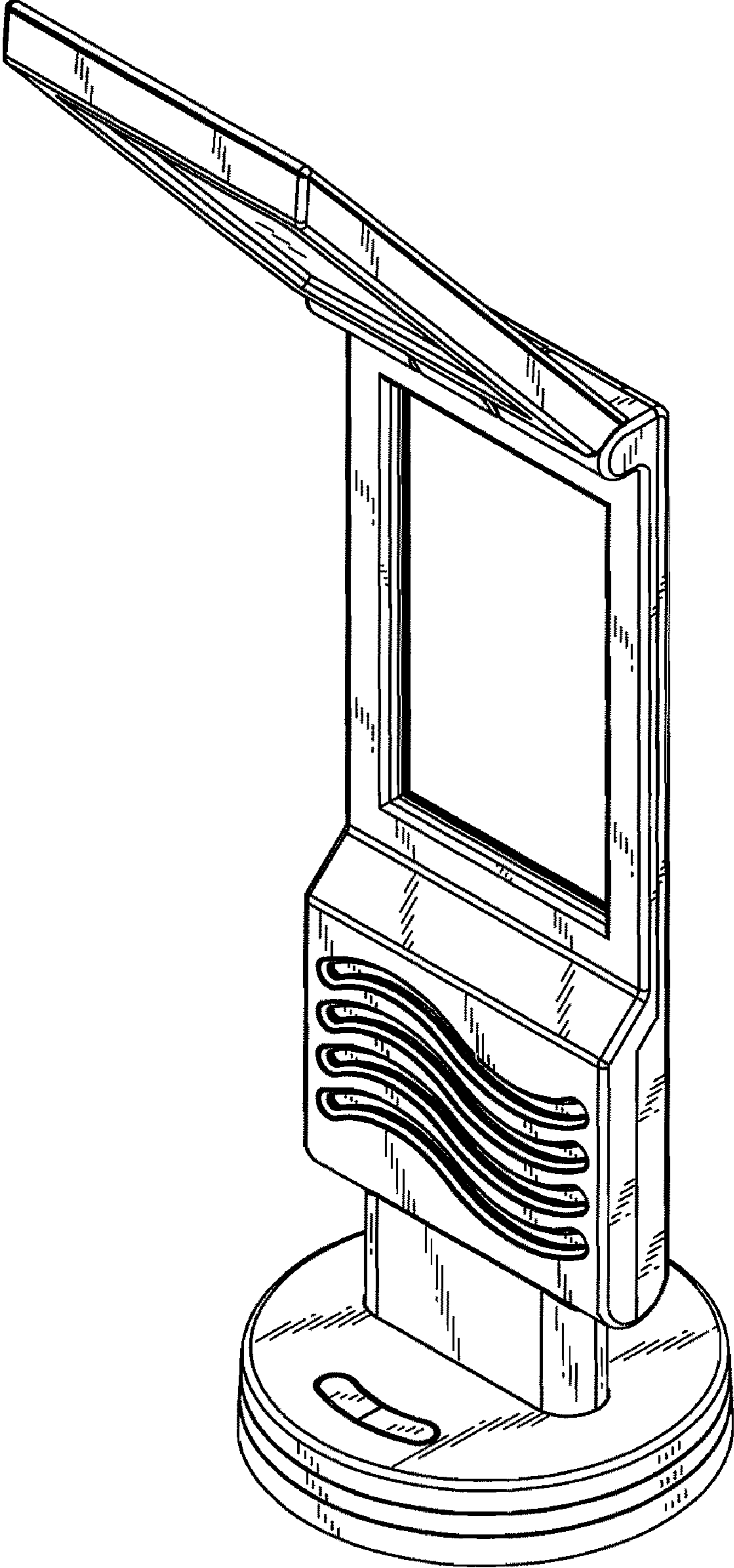


FIG. 1

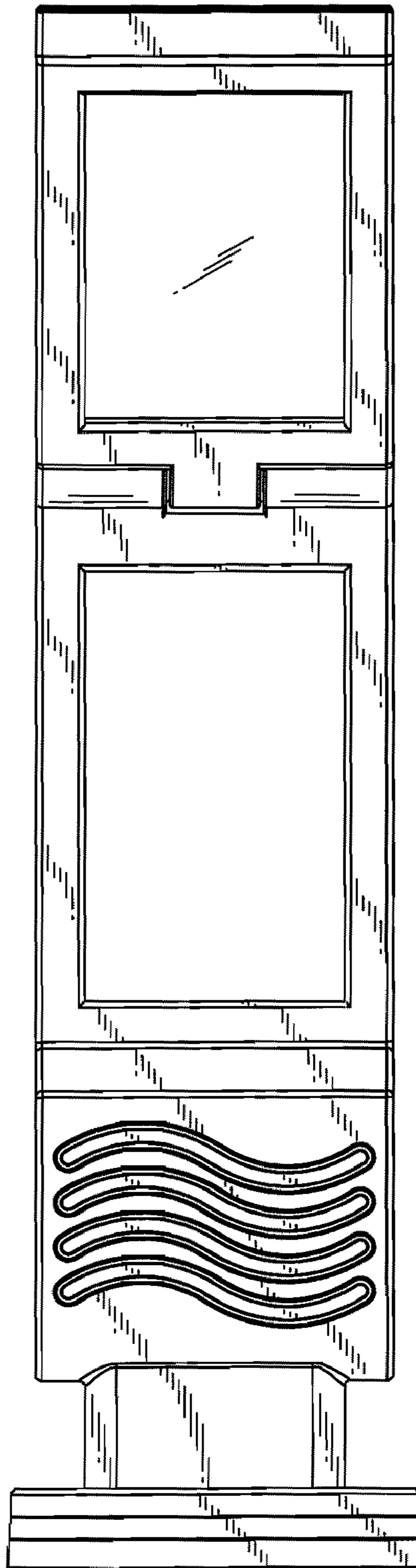


FIG. 2

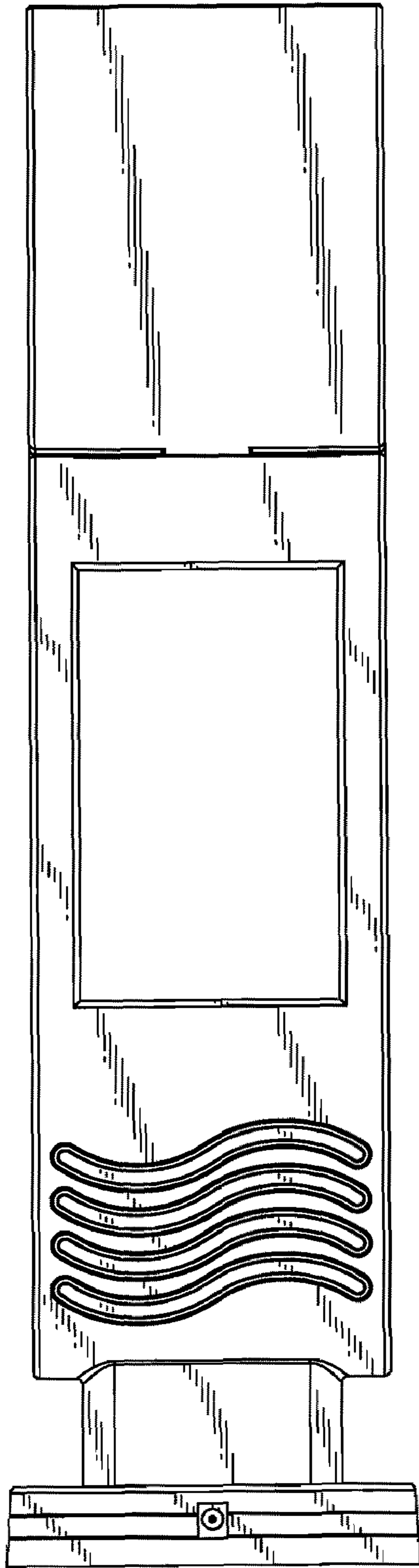


FIG. 3

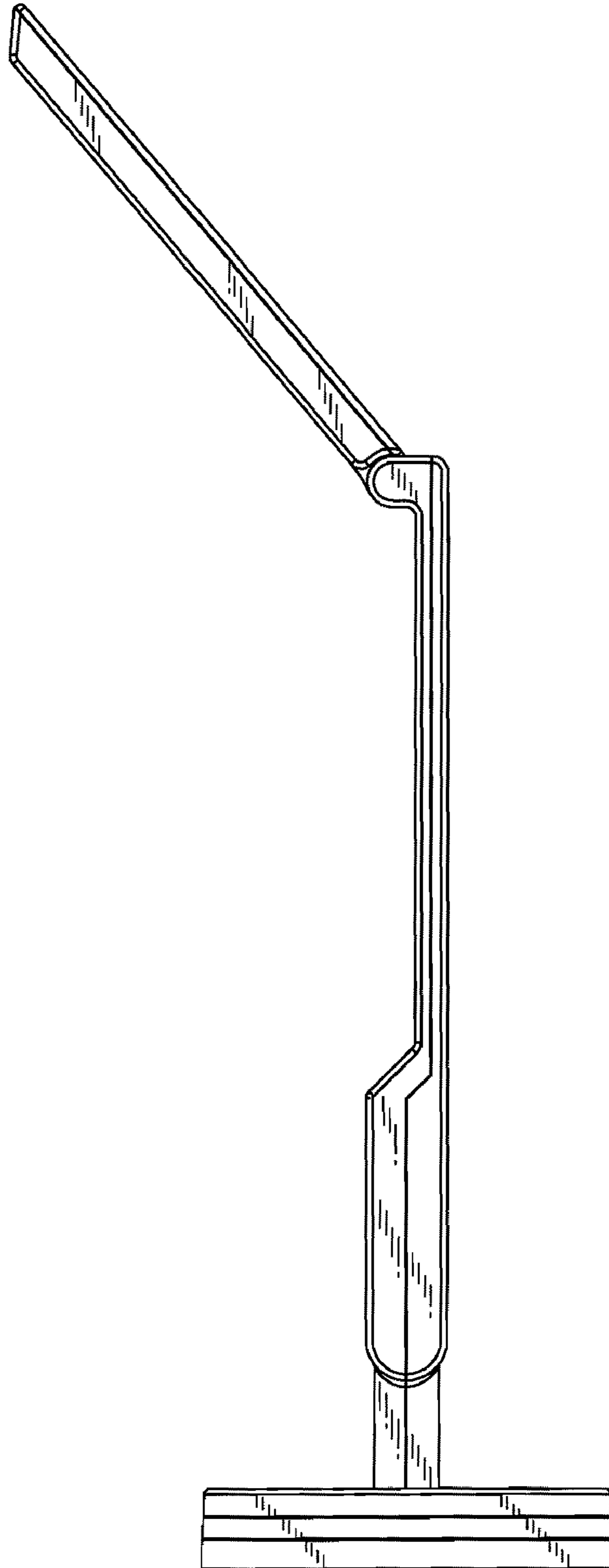


FIG. 4

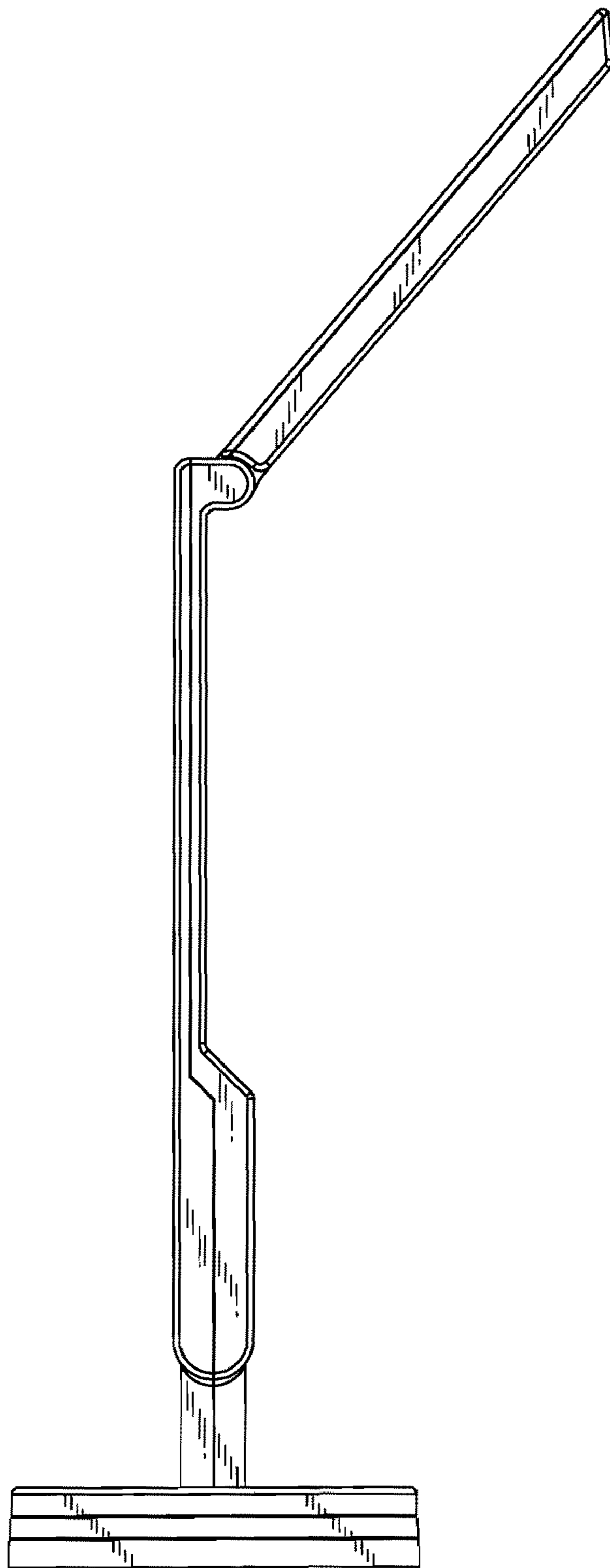


FIG. 5

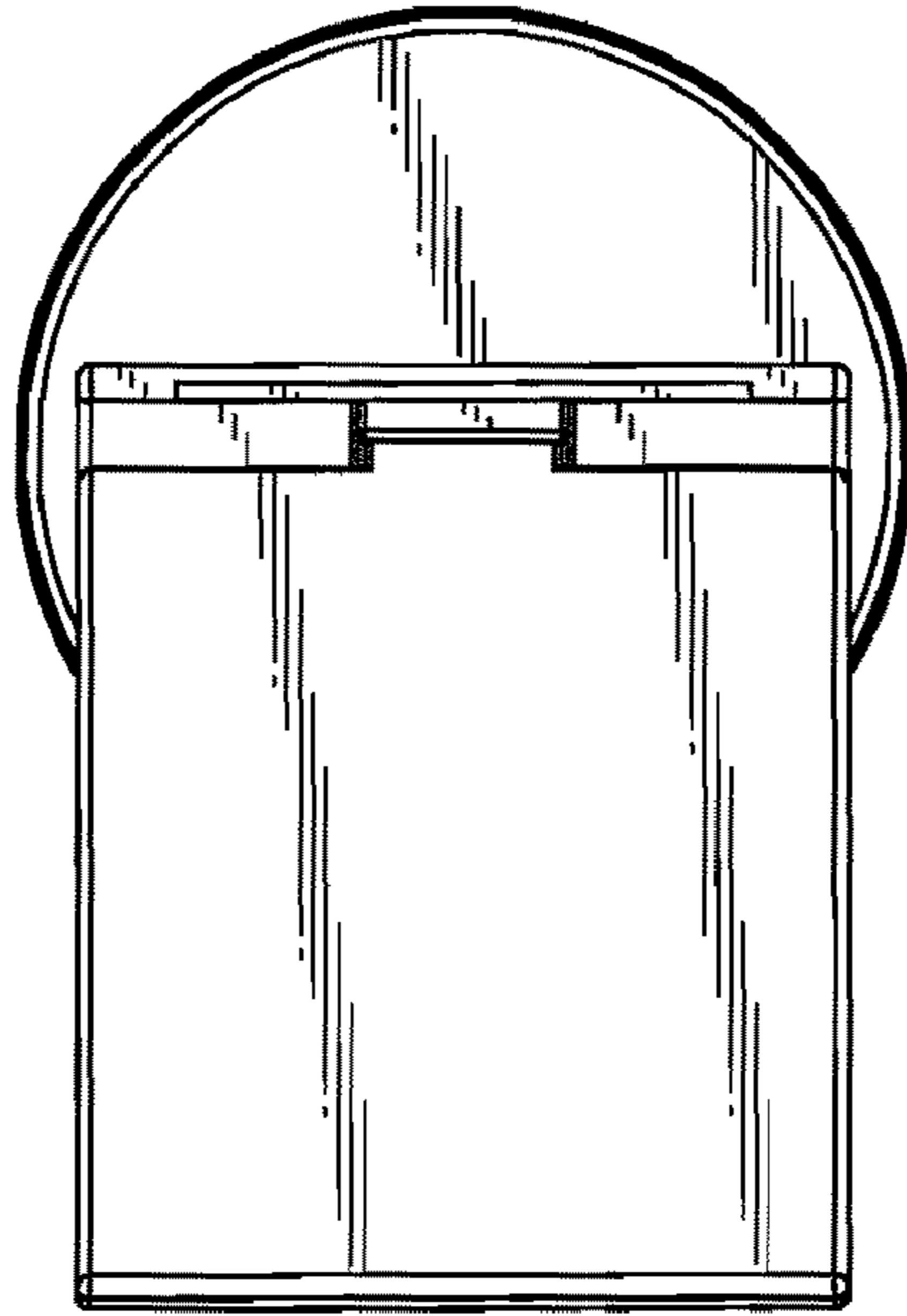


FIG. 6

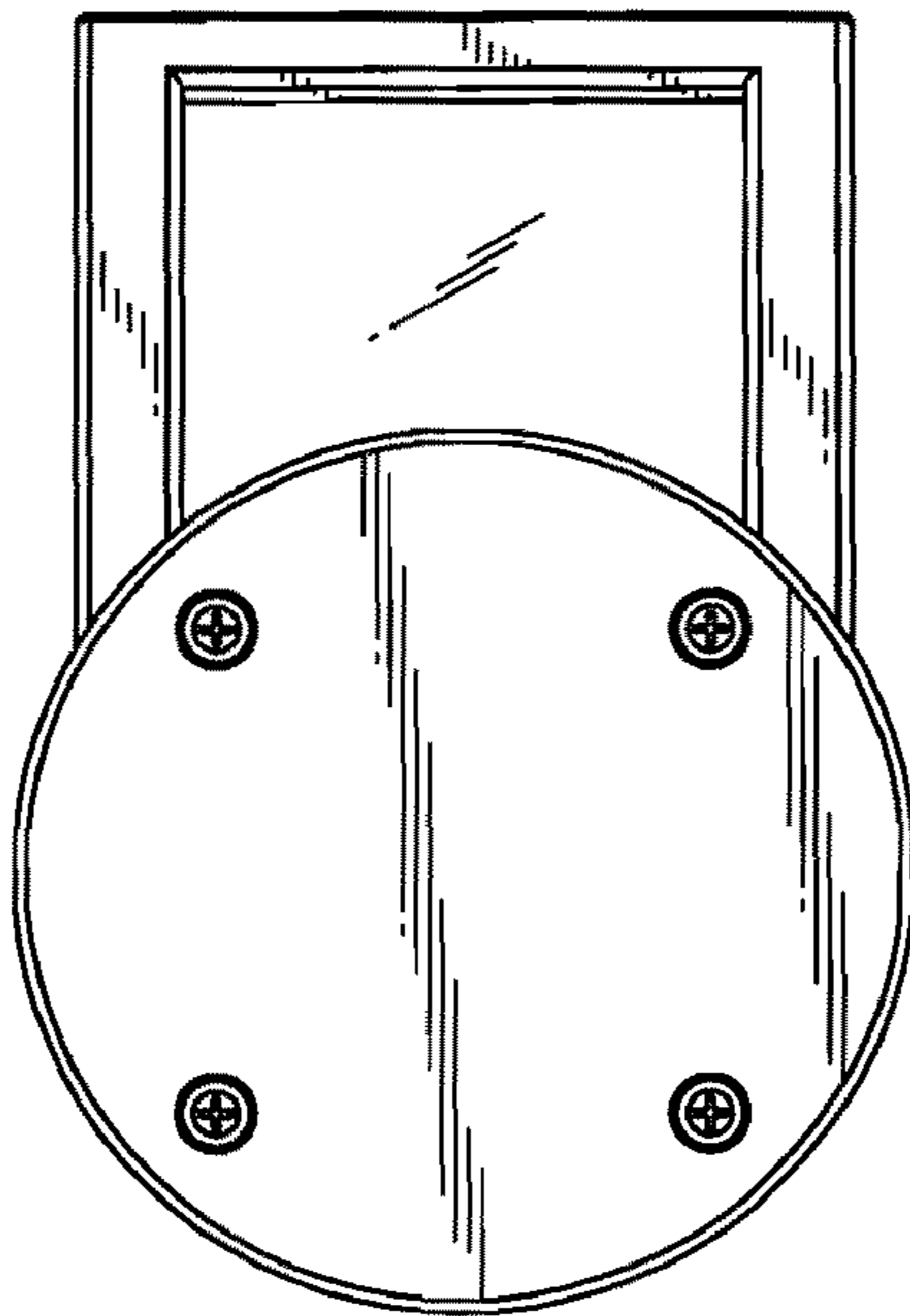


FIG. 7

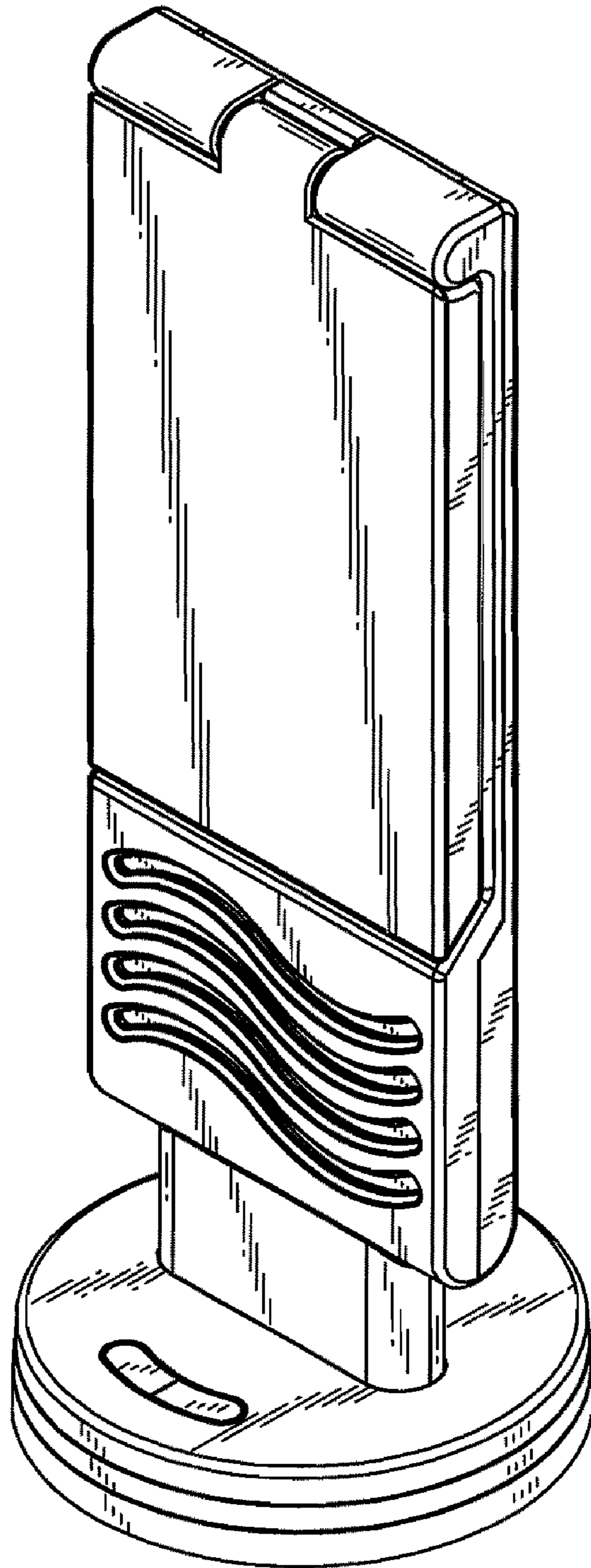


FIG. 8