



US00D636918S

(12) **United States Design Patent**
Nelson et al.

(10) **Patent No.:** **US D636,918 S**

(45) **Date of Patent:** **** Apr. 26, 2011**

(54) **ILLUMINATING DEVICE**

(75) Inventors: **David Nelson**, Las Vegas, NV (US);
Wai-Ming Law, Yuen Long (HK)

(73) Assignee: **Sol-Light, LLC**, Las Vegas, NV (US)

(**) Term: **14 Years**

(21) Appl. No.: **29/376,560**

(22) Filed: **Oct. 8, 2010**

Related U.S. Application Data

(63) Continuation of application No. 29/364,167, filed on Jun. 18, 2010.

(51) **LOC (9) Cl.** **26-05**

(52) **U.S. Cl.** **D26/61; D26/62**

(58) **Field of Classification Search** D26/60–66,
D26/37, 38, 40, 43, 44, 46, 51, 104, 47, 52;
362/98, 99, 157, 174, 800, 191, 197, 198,
362/269, 270, 274, 277, 278, 281, 282, 283,
362/287, 288, 396, 362, 368, 371, 319, 372

See application file for complete search history.

(56) **References Cited**

U.S. PATENT DOCUMENTS

D301,753 S	6/1989	Charet et al.
D325,647 S	4/1992	Hwang
D327,545 S	6/1992	Lee
D427,703 S	7/2000	Chan
D428,177 S	7/2000	Chan
D436,202 S	1/2001	Chen
D498,322 S	11/2004	Schnell
D509,012 S	8/2005	Chan
D524,977 S	7/2006	Smith et al.
D529,651 S	10/2006	Chan
D535,046 S	1/2007	Smith et al.
D544,124 S	6/2007	Chan
7,309,137 B2	12/2007	Chan
7,390,105 B2	6/2008	Nelson et al.
D576,758 S	9/2008	Wang et al.

D590,533 S	4/2009	Li
D600,852 S	9/2009	Clepper et al.
D600,853 S	9/2009	Clepper et al.
D604,445 S	11/2009	Ko et al.
D604,879 S	11/2009	Chan
D605,322 S	12/2009	Lee

(Continued)

OTHER PUBLICATIONS

ZELCO, Long Reach Flexible Flashlight, DiversityBusiness.com, 1 page, date unknown, but prior to filing.

(Continued)

Primary Examiner — Philip S Hyder

Assistant Examiner — Linda G. Brooks

(74) *Attorney, Agent, or Firm* — Banner & Witcoff, Ltd.

(57) **CLAIM**

The ornamental design for an illuminating device, as shown and described.

DESCRIPTION

FIG. 1 is a front perspective view of an illuminating device showing my new design;

FIG. 2 is a right side view thereof;

FIG. 3 is a left side view thereof;

FIG. 4 is a front view thereof in the direction of line 4—4 in FIG. 2;

FIG. 5 is a rear view thereof;

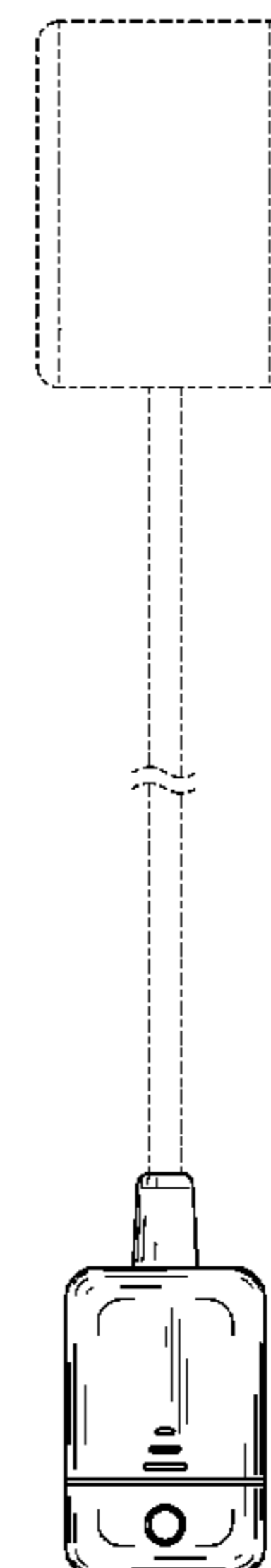
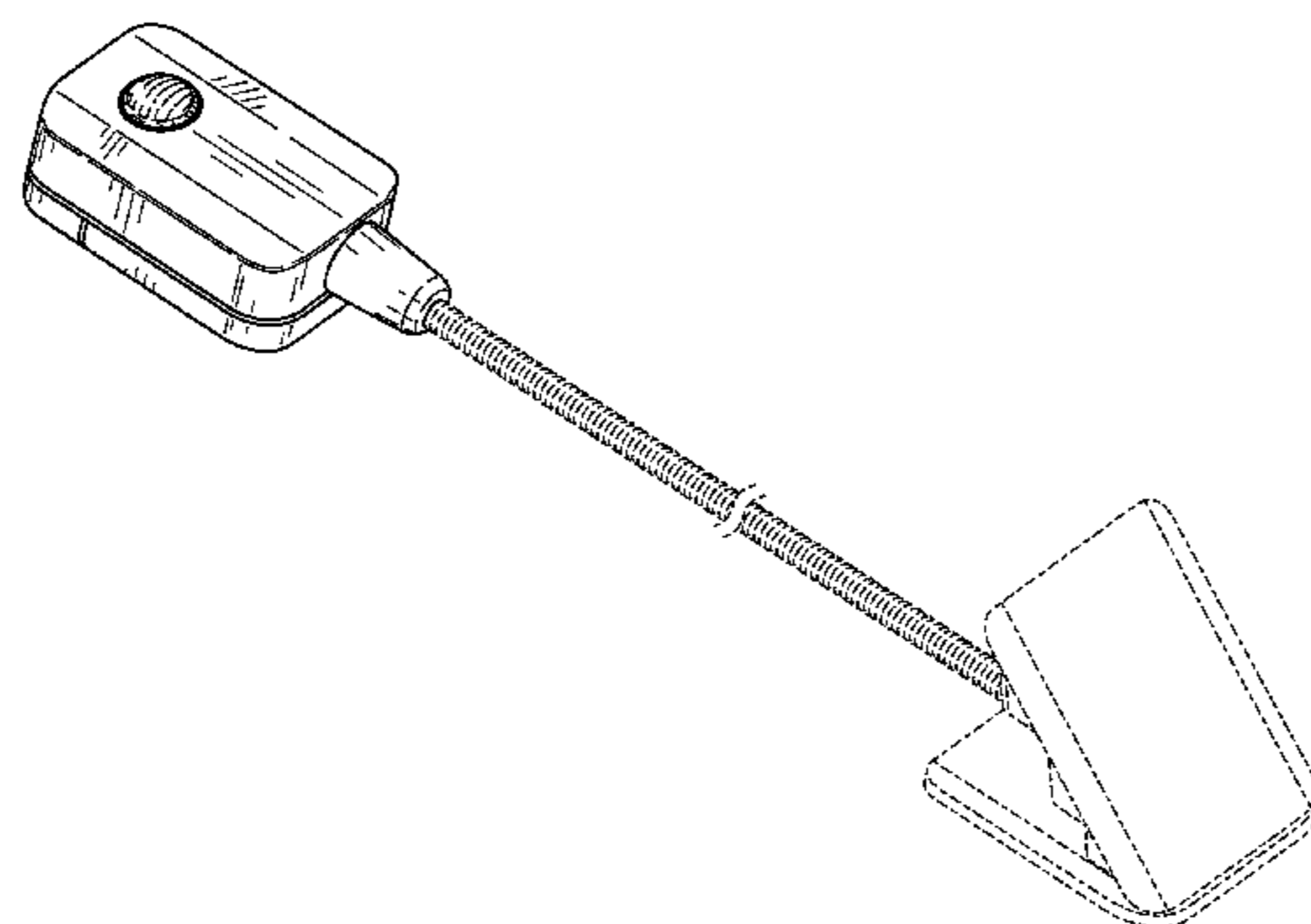
FIG. 6 is a top view thereof;

FIG. 7 is a bottom view thereof; and,

FIG. 8 is a rear perspective view thereof.

The broken line showing of the environmental structure of the remainder of the illuminating device is for illustrative purposes only and forms no part of the claimed design. The broken lines representing the appearance of disclaimed links on the neck have been omitted from FIGS. 2, 3, and 6-8 for ease and clarity of illustration.

1 Claim, 5 Drawing Sheets



U.S. PATENT DOCUMENTS

D613,439 S 4/2010 Lee
D616,584 S 5/2010 Kang et al.
D618,385 S 6/2010 Nelson et al.
D618,386 S 6/2010 Nelson et al.
D621,981 S * 8/2010 McAtamney et al. D26/61
D625,866 S * 10/2010 Kang et al. D26/60
2003/0179572 A1 9/2003 Schnell

OTHER PUBLICATIONS

ZELCO, Itty Bitty Book Light Led Edition, Diversity Business.com, 1 page, date unknown, but prior to filing.
ZELCO, Folio™ The Lighted Clipboard Bookstand, DiversityBusiness.com, 1 page, date unknown, but prior to filing.
ZELCO, The Bugless Lantern, DiversityBusiness.com, 1 page, date unknown, but prior to filing.
ZELCO, Rubberneck Clip Lite, DiversityBusiness.com, 1 page, date unknown, but prior to filing.
ZELCO, Micro Fluorescent Lantern, DiversityBusiness.com, 1 page, date unknown, but prior to filing.

ZELCO, The Audio 'itty bitty' Booklight, (battery version), DiversityBusiness.com, 1 page, date unknown, but prior to filing.
ZELCO, The Fluorescent 'itty bitty' Book Light, DiversityBusiness.com, 1 page, date unknown, but prior to filing.
ZELCO, Lumifier, DiversityBusiness.com, 1 page, date unknown, but prior to filing.
ZELCO, Little Laptop Light, DiversityBusiness.com, 1 page, date unknown, but prior to filing.
ZELCO, The BBQ Grill Light, DiversityBusiness.com, 1 page, date unknown, but prior to filing.
"Bright As Day!" Daylight Spectrum Booklite, Product No. SI292SIL, sharperimage.com, 2 pages, date unknown, but prior to filing.
High-Brightness Dual LED Booklight, Product No. SI289BLK, sharperimage.com, 2 pages, date unknown, but prior to filing.
Opamerica, Ultralife Reading Light, opamerica.com, 4 pages, date unknown, but prior to filing.

* cited by examiner

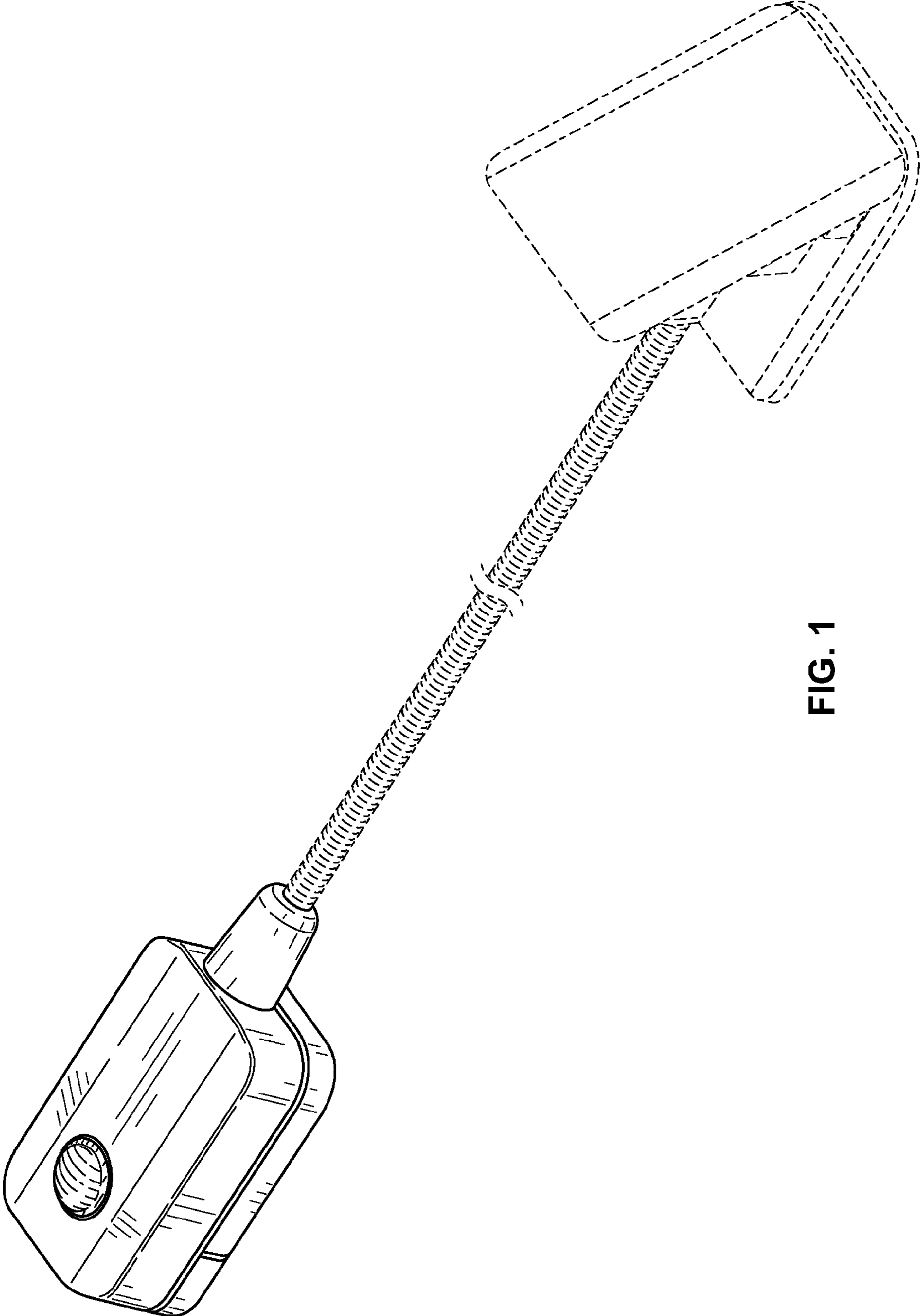


FIG. 1

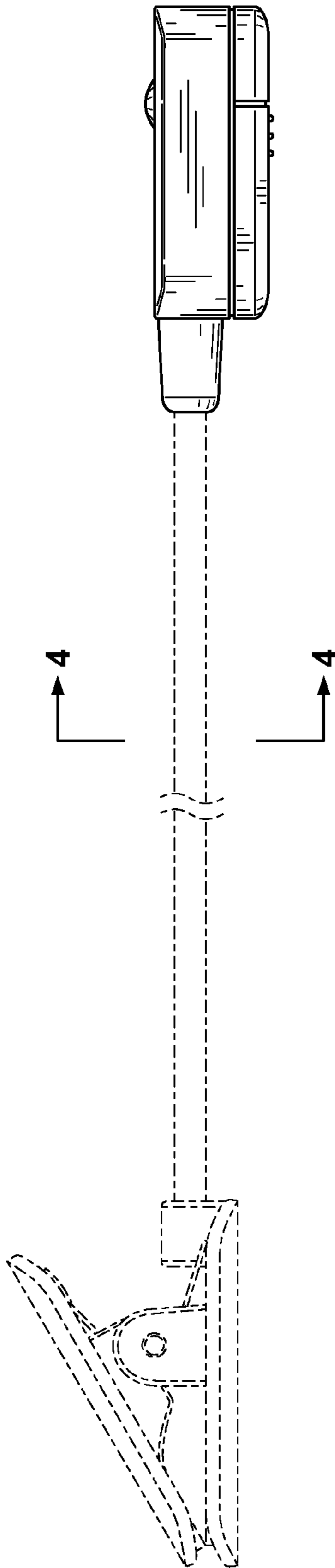


FIG. 2

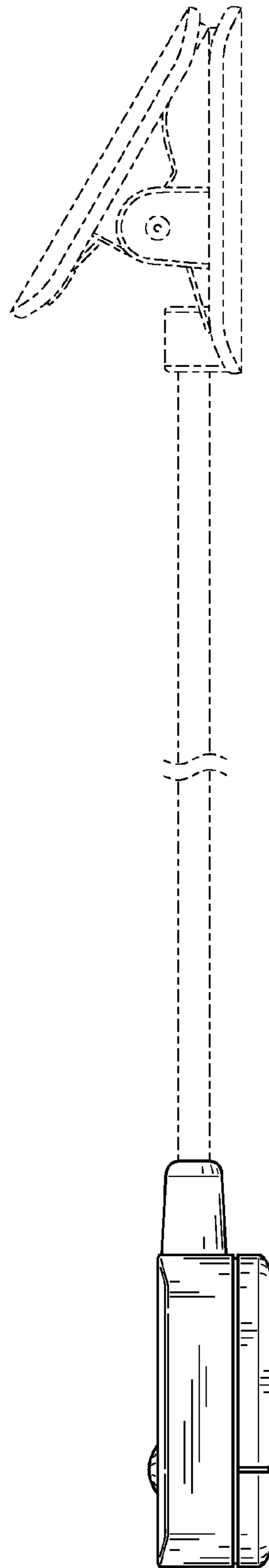


FIG. 3

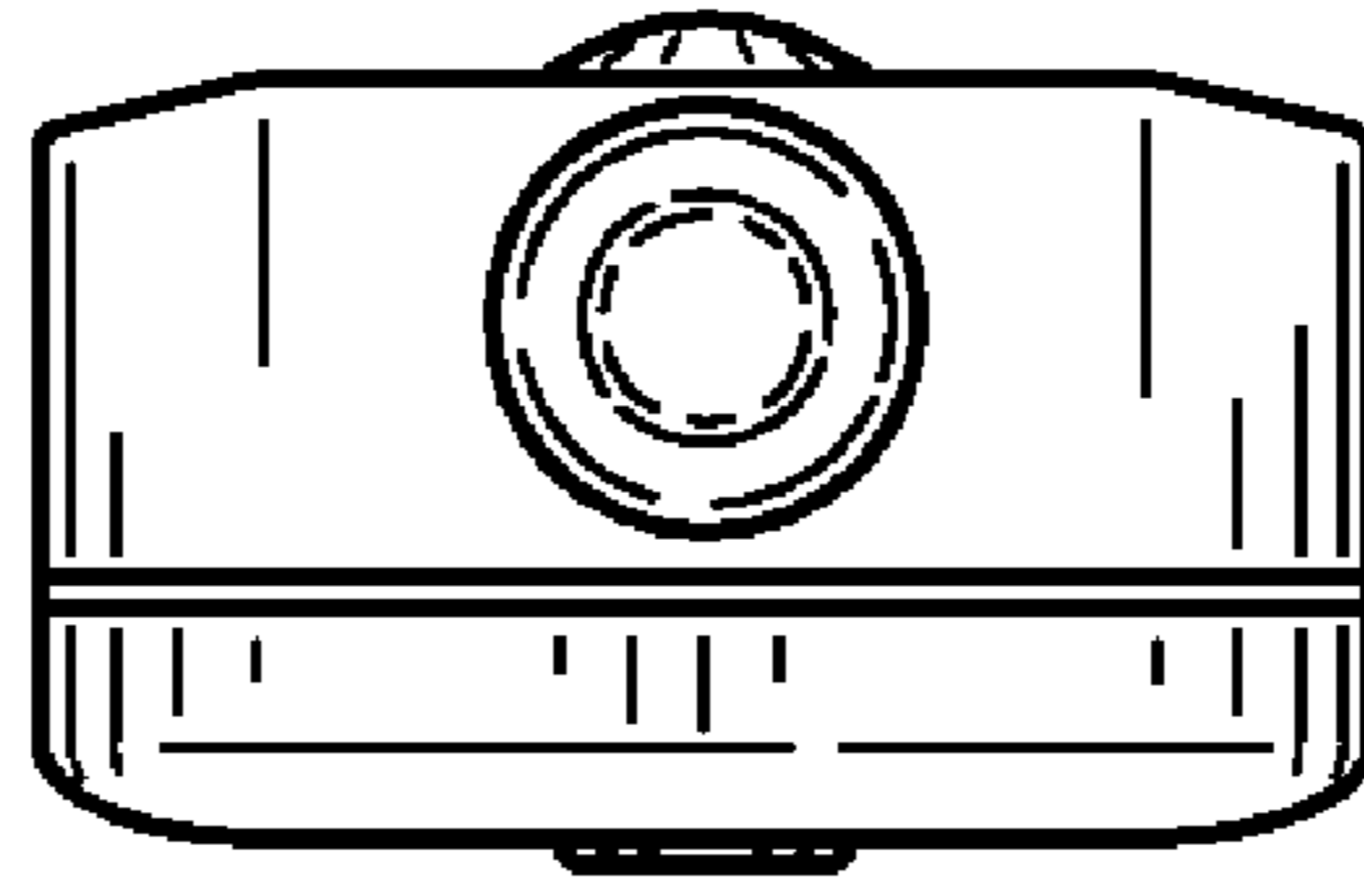


FIG. 4

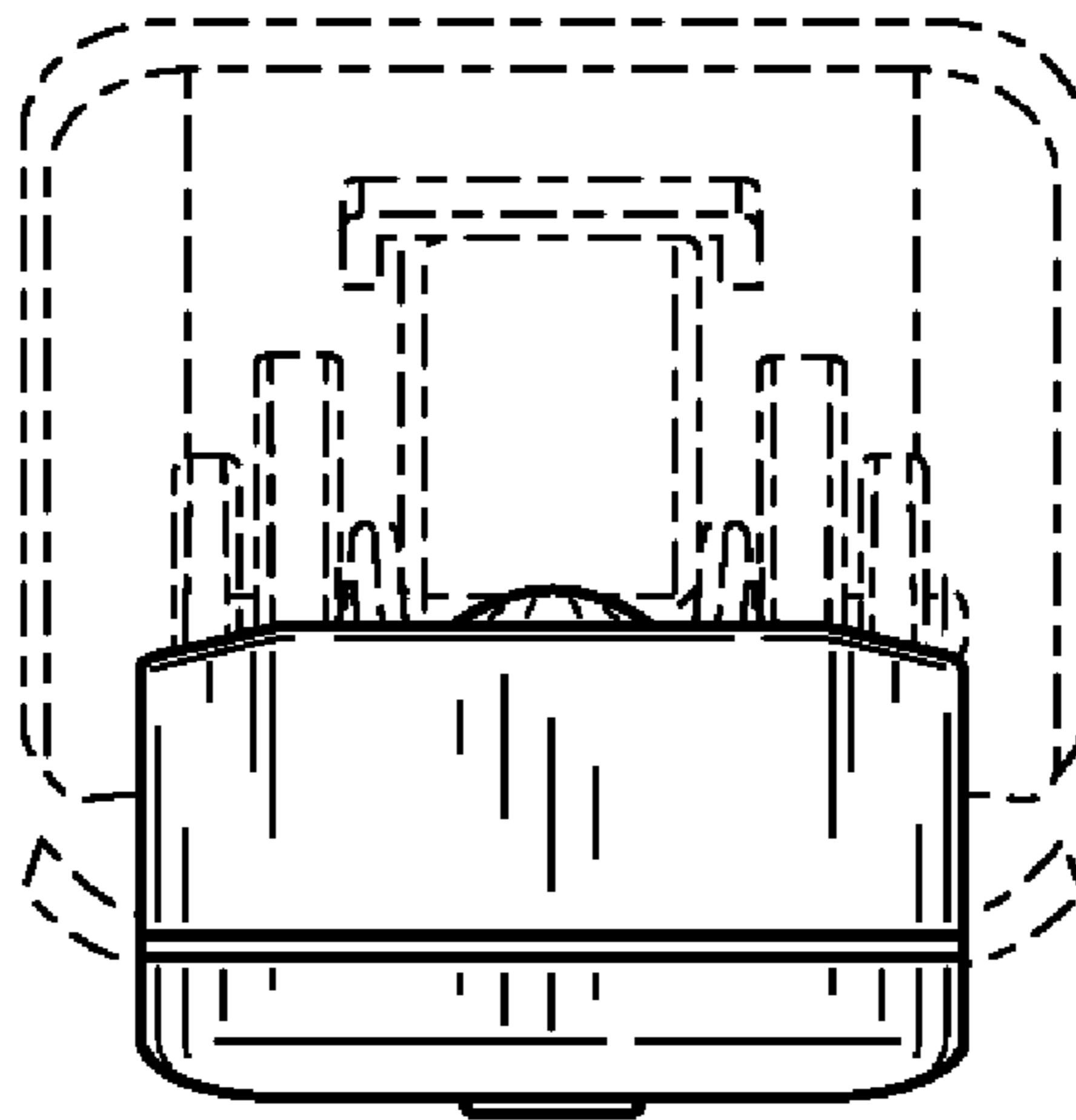
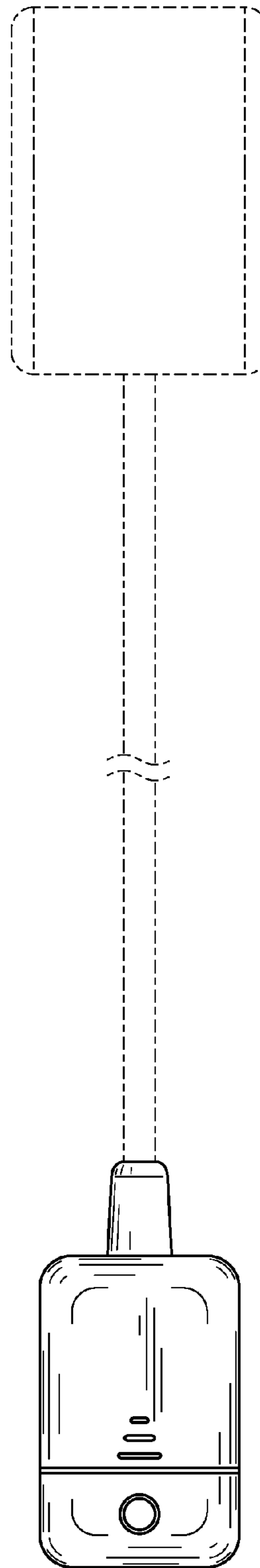
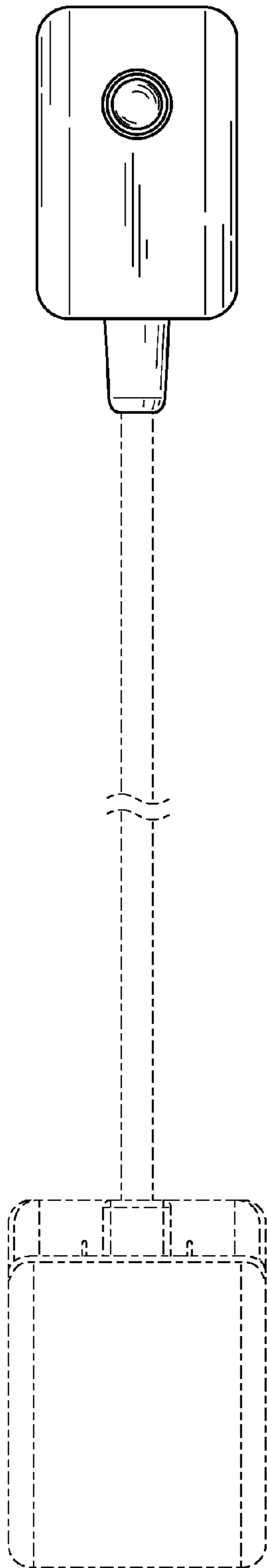


FIG. 5



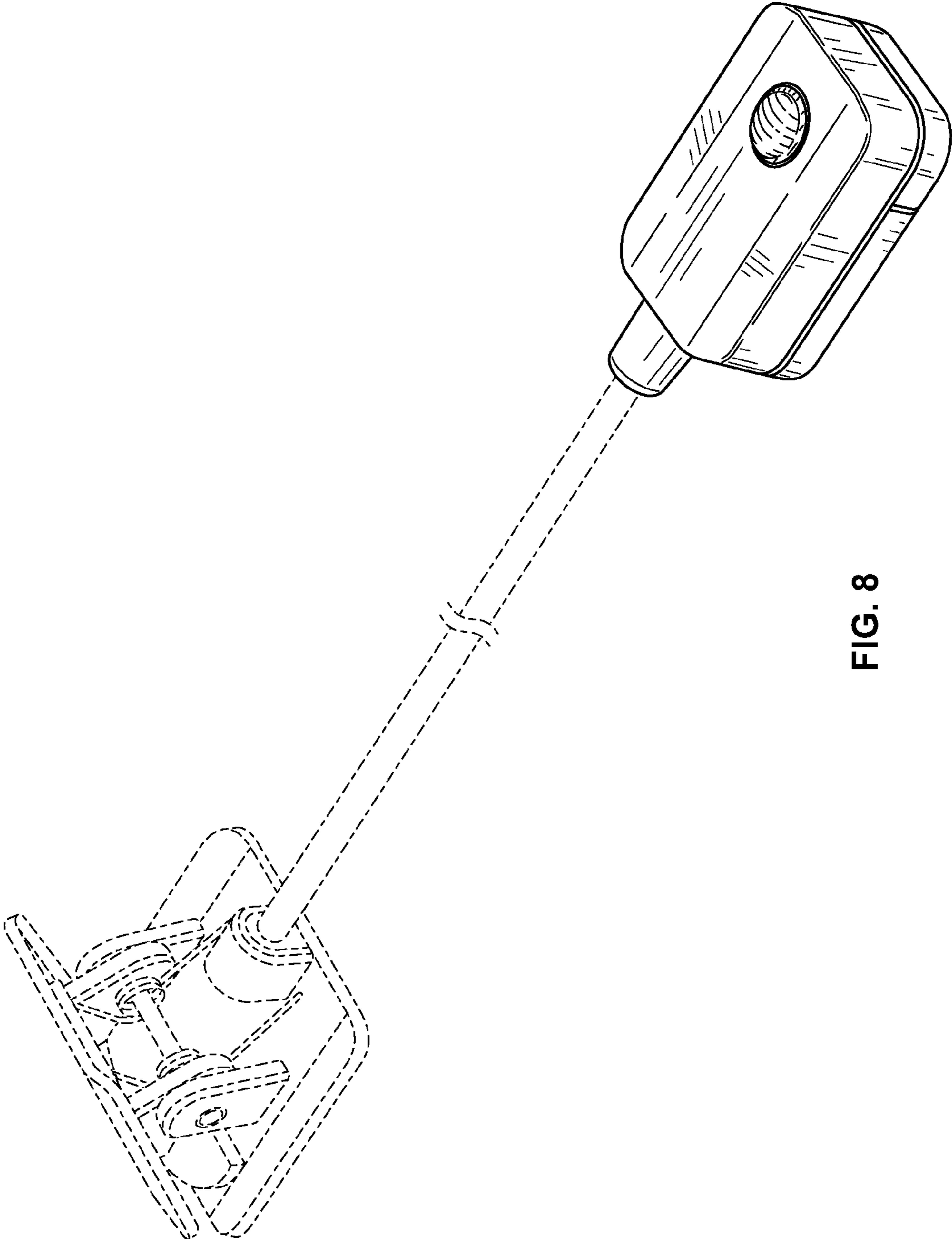


FIG. 8