



US00D636915S

(12) **United States Design Patent**  
**Bryant et al.**

(10) **Patent No.:** **US D636,915 S**  
(45) **Date of Patent:** **\*\* Apr. 26, 2011**

(54) **WORK LIGHT**

(75) Inventors: **Christopher Michael Bryant**, Social Circle, GA (US); **James Richard Christ**, Peachtree City, GA (US)

(73) Assignee: **Cooper Technologies Company**, Houston, TX (US)

(\*\*) Term: **14 Years**

(21) Appl. No.: **29/365,375**

(22) Filed: **Jul. 8, 2010**

**Related U.S. Application Data**

(63) Continuation of application No. 12/403,575, filed on Mar. 13, 2009.

(51) **LOC (9) Cl.** ..... **26-02**

(52) **U.S. Cl.** ..... **D26/42**

(58) **Field of Classification Search** ..... D26/37,  
D26/38, 40, 41, 42, 46, 49, 50; 362/157,  
362/158, 183, 184, 189, 194-197, 200-208  
See application file for complete search history.

(56) **References Cited**

**U.S. PATENT DOCUMENTS**

5,424,931	A	6/1995	Wheeler	
D372,997	S *	8/1996	Meoli	D26/42
D382,359	S *	8/1997	Rorke et al.	D26/42
D391,656	S *	3/1998	Wan	D26/42
D392,062	S *	3/1998	Wan	D26/42
D396,891	S *	8/1998	Lam	D21/483
6,857,756	B2	2/2005	Reiff et al.	
D505,217	S *	5/2005	Bayat et al.	D26/42
6,979,100	B2	12/2005	Reiff et al.	
D540,484	S *	4/2007	Bayat et al.	D26/42
D546,490	S *	7/2007	Brown et al.	D26/42
D550,385	S *	9/2007	Hamilton et al.	D26/37
D556,926	S *	12/2007	Thirouin	D26/37

D558,369	S *	12/2007	O'Hern	D26/42
D567,977	S *	4/2008	Jianwei	D26/42
D567,978	S *	4/2008	Jianwei	D26/42
D588,733	S *	3/2009	O'Hern	D26/42
D593,695	S *	6/2009	Levine	D26/42
7,556,398	B2	7/2009	Van Der Poel	
D620,627	S *	7/2010	Kovacik et al.	D26/42
2004/0004828	A1	1/2004	Chernick et al.	
2004/0032732	A1	2/2004	Rubin	
2006/0034091	A1	2/2006	Kovacik et al.	
2006/0043085	A1	3/2006	Meyers	
2010/0110700	A1	5/2010	Chien	
2010/0232147	A1	9/2010	Bryant et al.	

**OTHER PUBLICATIONS**

Instruction Manual for Black & Decker WLF013BD 25-LED Work Light with Pivoting Head, Sep. 2008.

\* cited by examiner

*Primary Examiner* — Charles A Rademaker

*Assistant Examiner* — Carissa C Fitts

(74) *Attorney, Agent, or Firm* — King & Spalding LLP

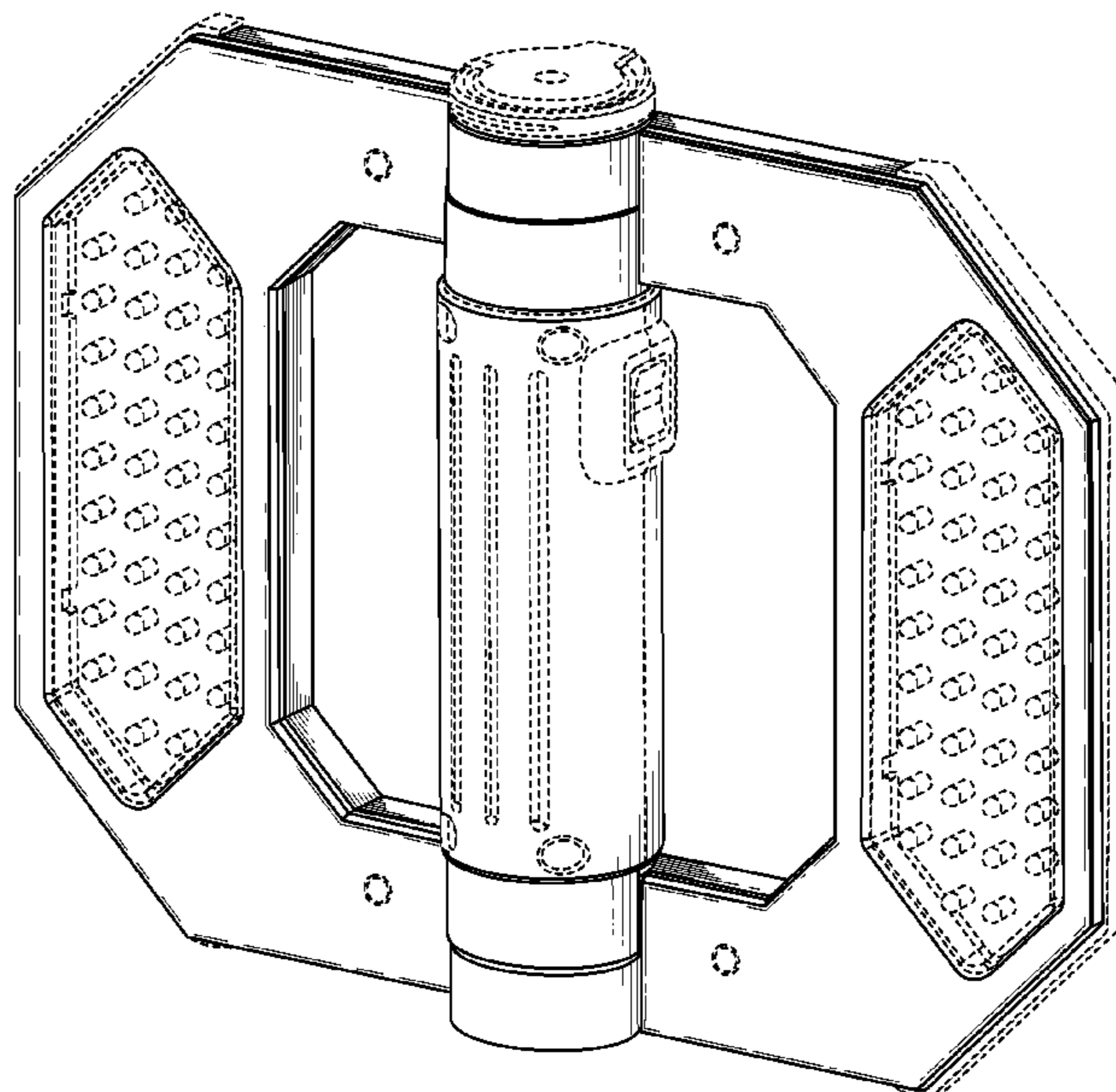
(57) **CLAIM**

The ornamental design for a work light, as shown and described.

**DESCRIPTION**

FIG. 1 is a perspective view of a work light, showing our new design;  
FIG. 2 is a front elevation view thereof;  
FIG. 3 is a rear elevation view thereof;  
FIG. 4 is a top plan view thereof;  
FIG. 5 is a bottom plan view thereof;  
FIG. 6 is a left-side elevation view thereof; and,  
FIG. 7 is a right-side elevation view thereof.  
The broken lines shown represent unclaimed subject matter and form no part of the claimed design.

**1 Claim, 5 Drawing Sheets**



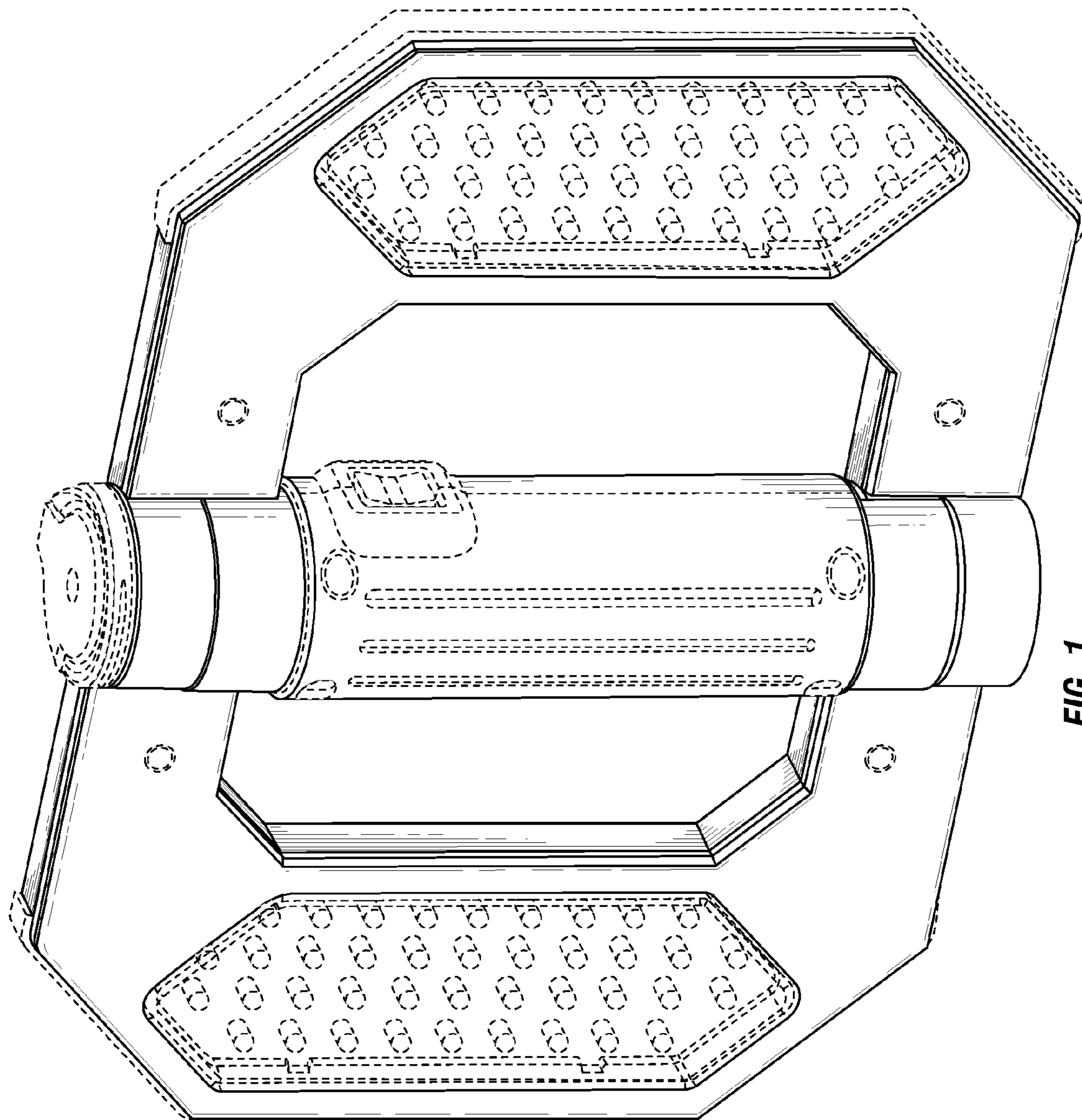


FIG. 1

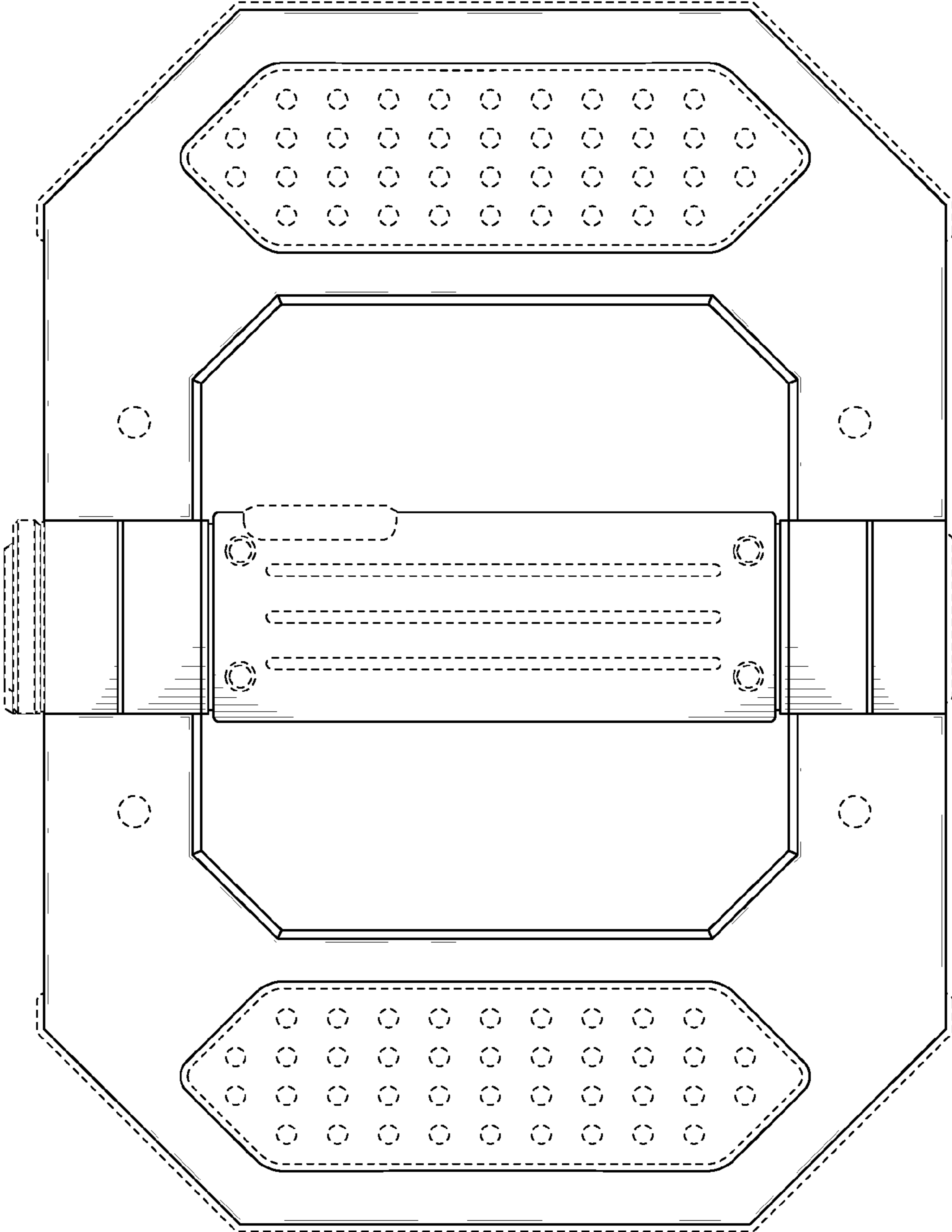


FIG. 2

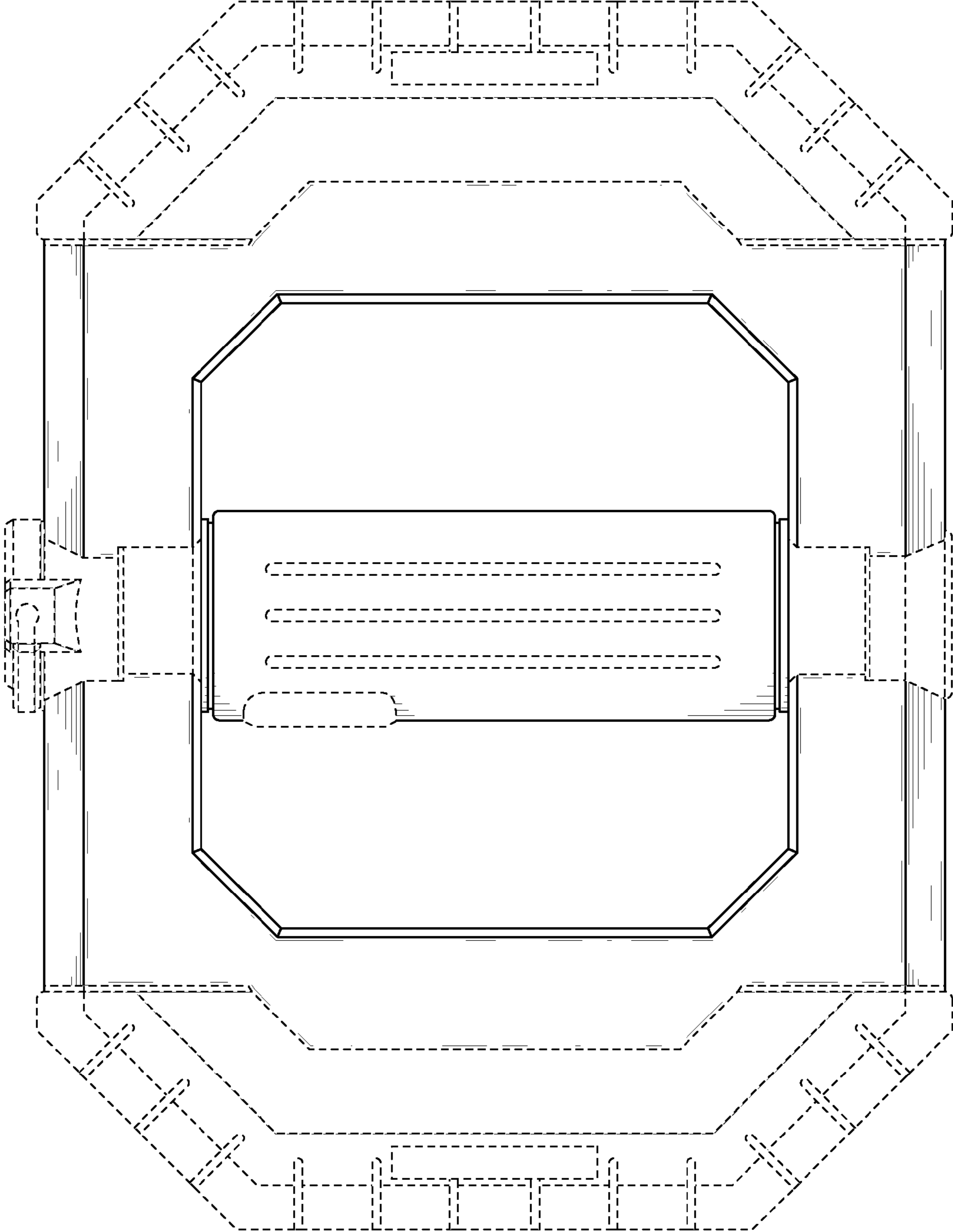
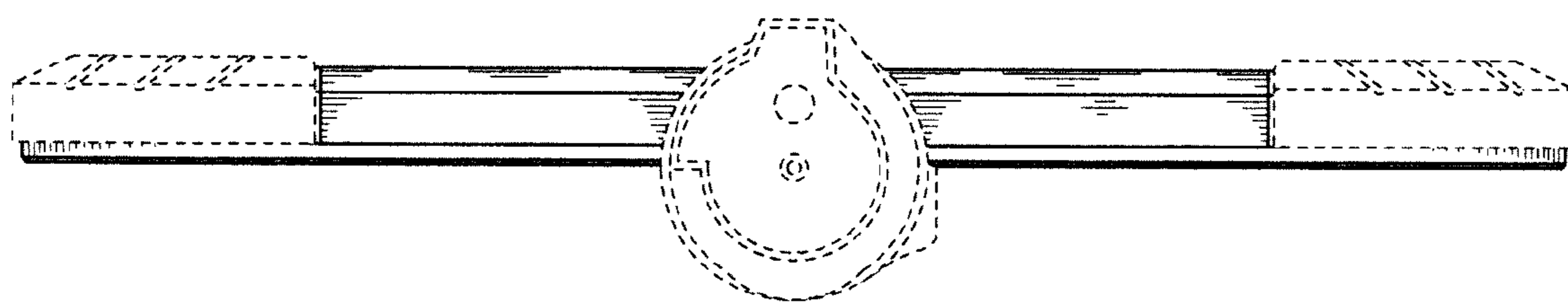
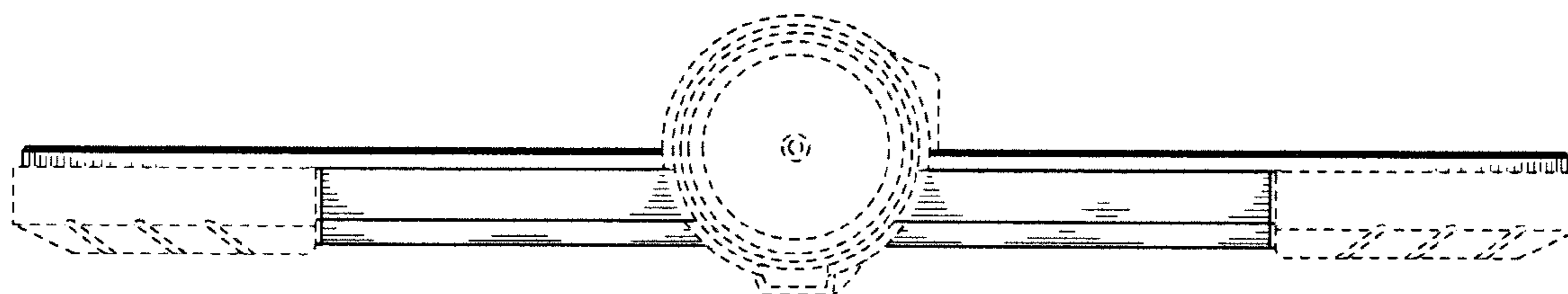


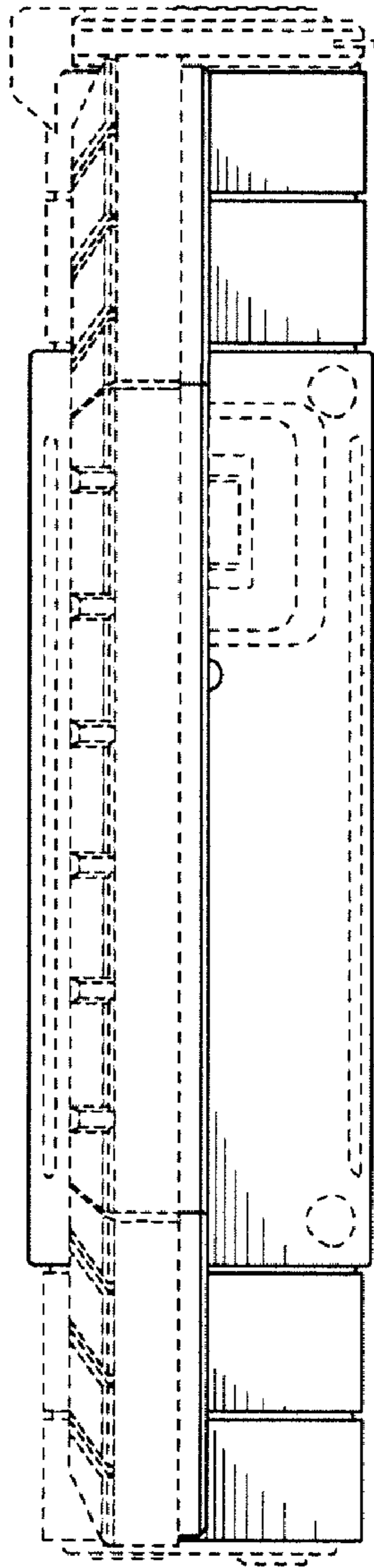
FIG. 3



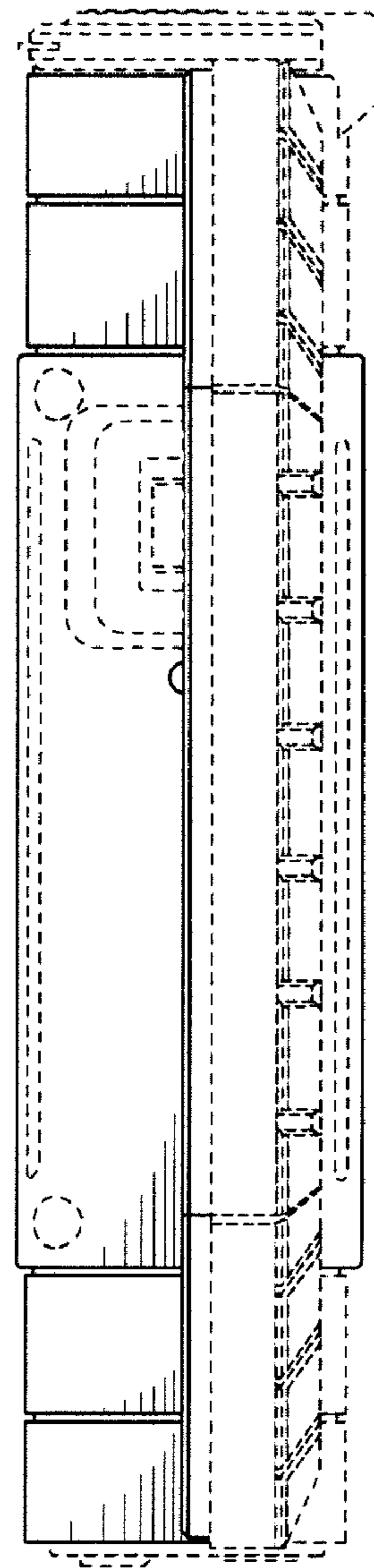
**FIG. 4**



**FIG. 5**



**FIG. 6**



**FIG. 7**