



US00D636904S

(12) **United States Design Patent**
Leahy et al.

(10) **Patent No.:** **US D636,904 S**

(45) **Date of Patent:** **** Apr. 26, 2011**

(54) **LED LAMP**

D584,838 S * 1/2009 To et al. D26/2
D610,271 S * 2/2010 Bi D26/2

(75) Inventors: **James Leahy**, Old Greenwich, CT (US);
Edward Rodriguez, Wakefield, MA
(US)

* cited by examiner

Primary Examiner — Marcus A Jackson

(73) Assignee: **Solais Lighting, Inc.**, Stamford, CT
(US)

(74) *Attorney, Agent, or Firm* — Kristofer E. Elbing

(57) **CLAIM**

The ornamental design for an LED lamp, as shown.

(**) Term: **14 Years**

DESCRIPTION

(21) Appl. No.: **29/359,942**

This application is related to our U.S. patent application entitled "Miniature Cellular Structure for Retrofit LED Lamp Secondary Optics" filed on the same day as the present application. This application is also related to a design application filed on the same day as this application and entitled LED Lamp and two design applications filed on the same day as this application and entitled LED Lamp Face.

(22) Filed: **Apr. 16, 2010**

(51) **LOC (9) Cl.** **26-04**

(52) **U.S. Cl.** **D26/2**

(58) **Field of Classification Search** D26/1-4;
313/313, 315, 316, 317, 318, 493; 315/52,
315/53, 56, 57, 58

See application file for complete search history.

FIG. 1 is a front perspective view of an LED lamp showing our new design;

FIG. 2 is a rear perspective view of the LED lamp of FIG. 1;

FIG. 3 is a side elevation view of the LED lamp of FIG. 1;

FIG. 4 is a front elevation view of the LED lamp of FIG. 1;

FIG. 5 is another side elevation view of the LED lamp of FIG. 1

inverted with respect to the view of FIG. 3; and,

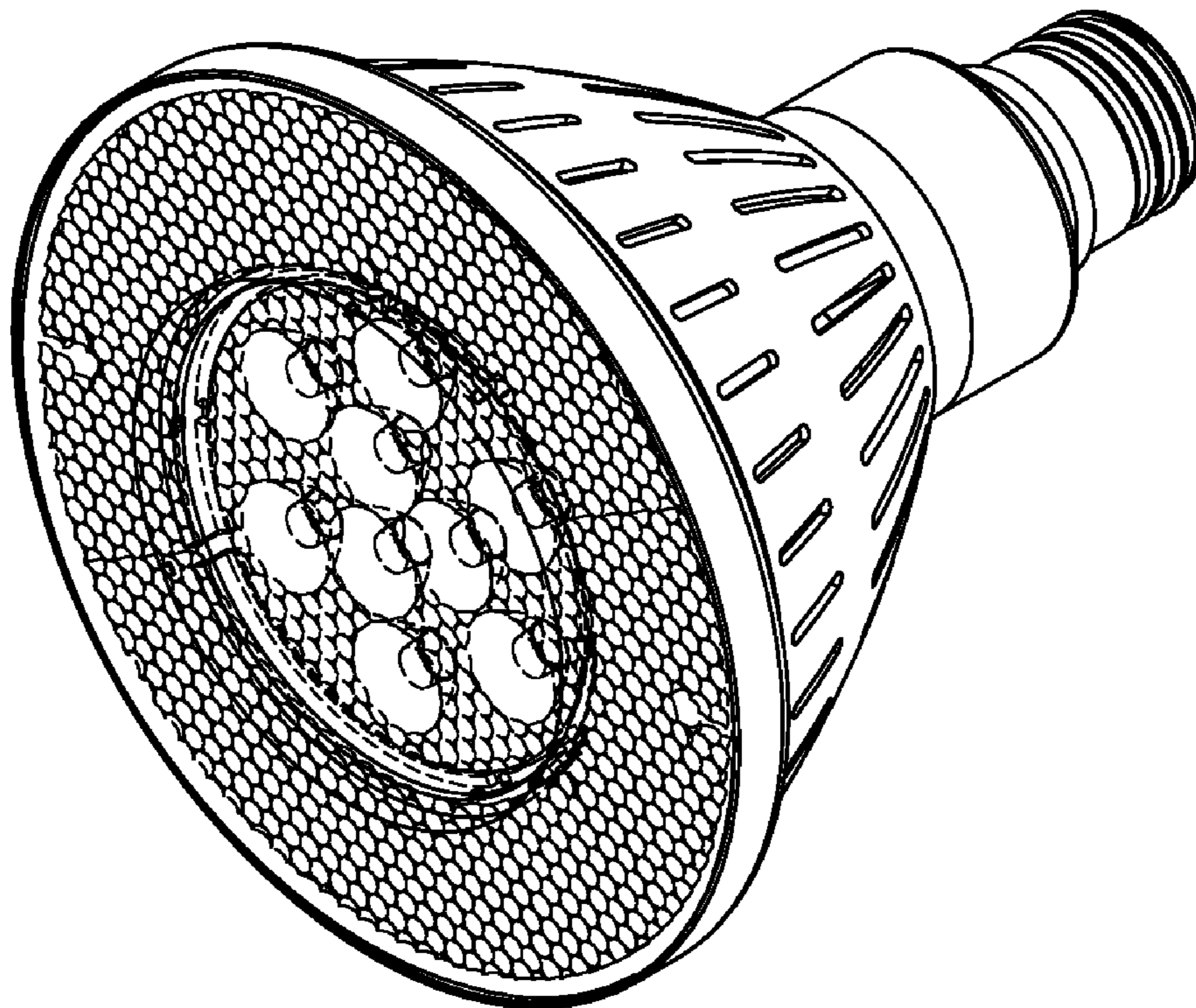
FIG. 6 is a rear elevation view of the LED lamp of FIG. 1.

(56) **References Cited**

U.S. PATENT DOCUMENTS

D435,577 S * 12/2000 McBride D16/203
D532,532 S * 11/2006 Maxik D26/2
D566,300 S * 4/2008 Lo D26/2
D581,555 S * 11/2008 To et al. D26/2

1 Claim, 3 Drawing Sheets



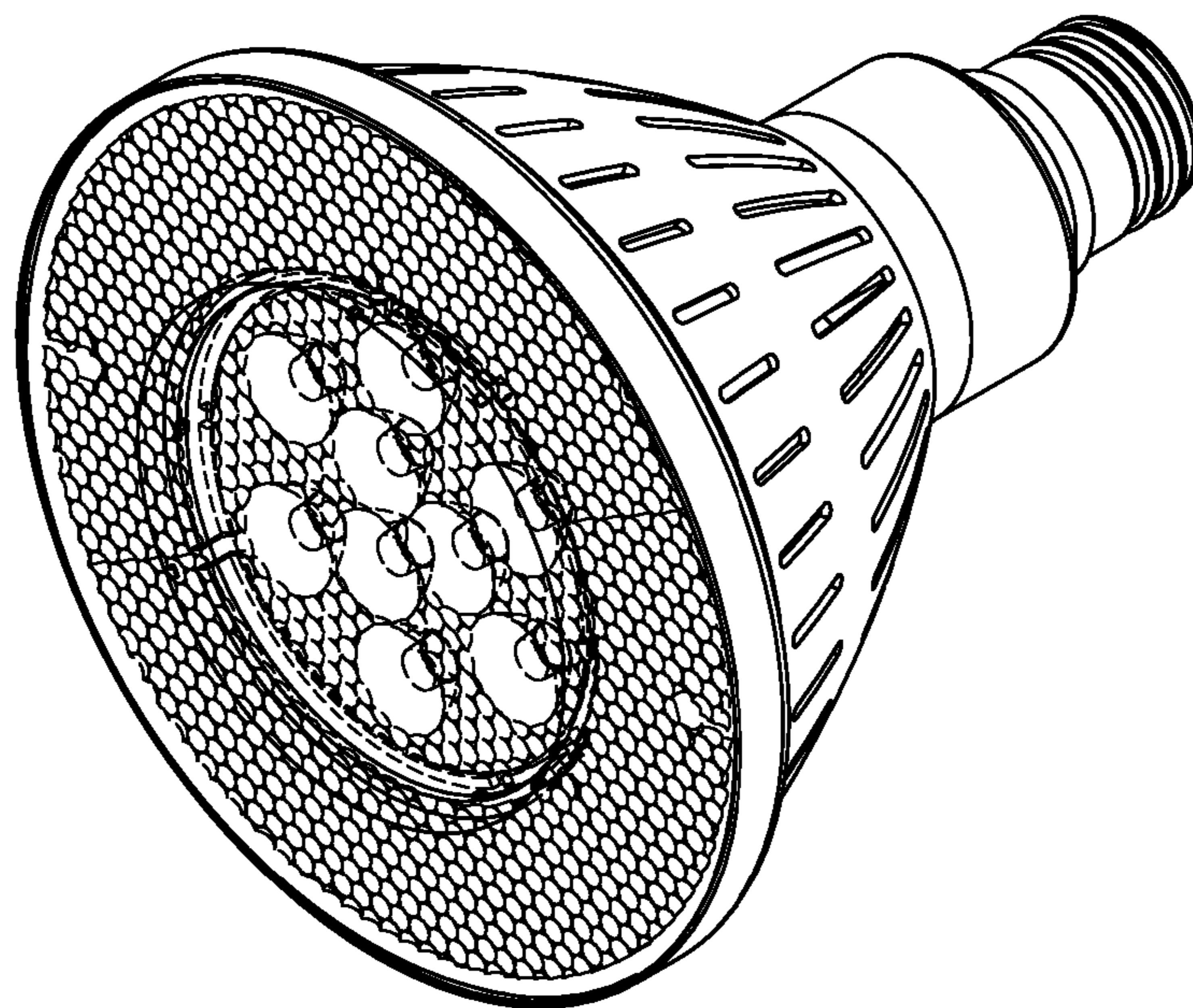


FIG. 1

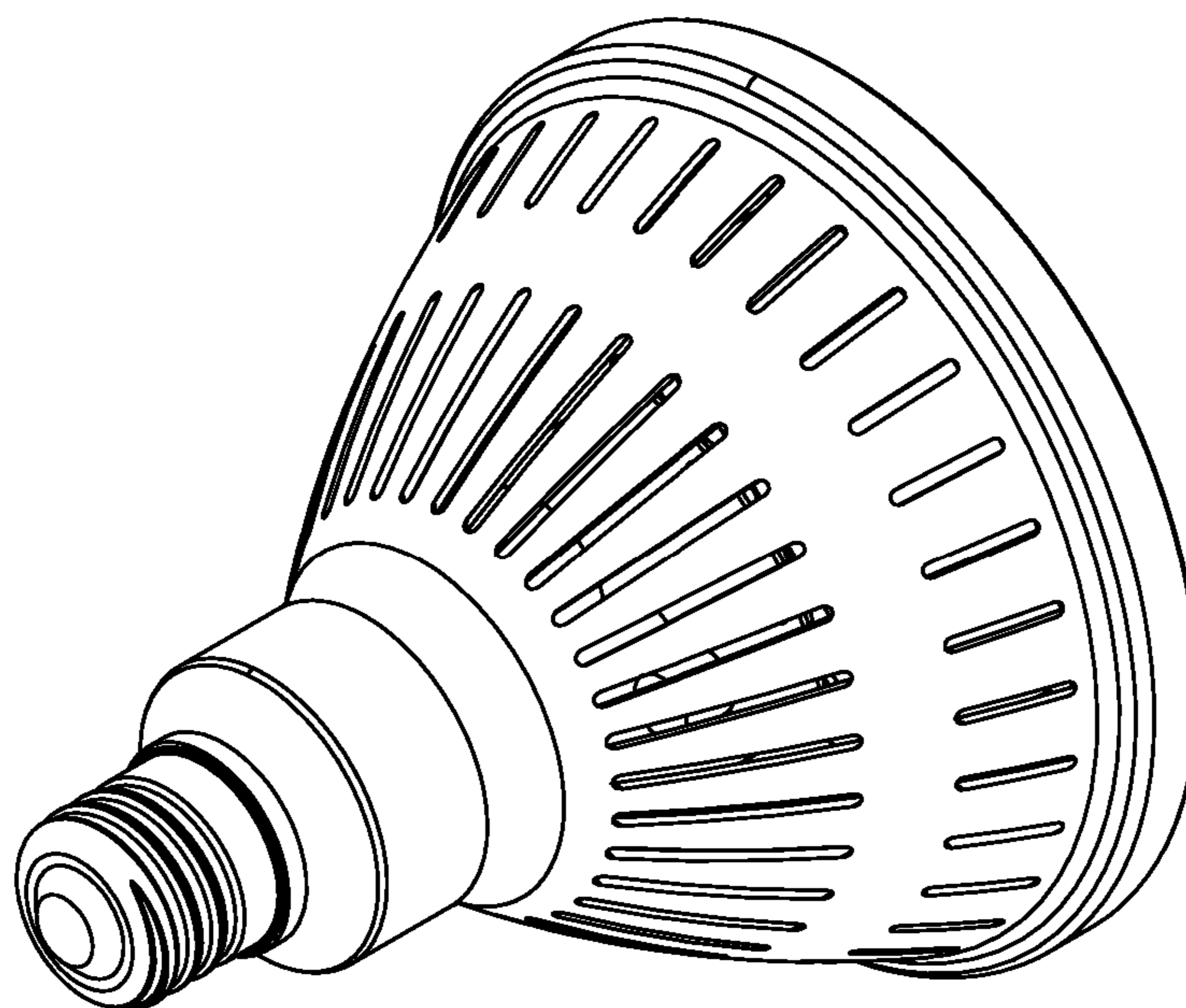


FIG. 2

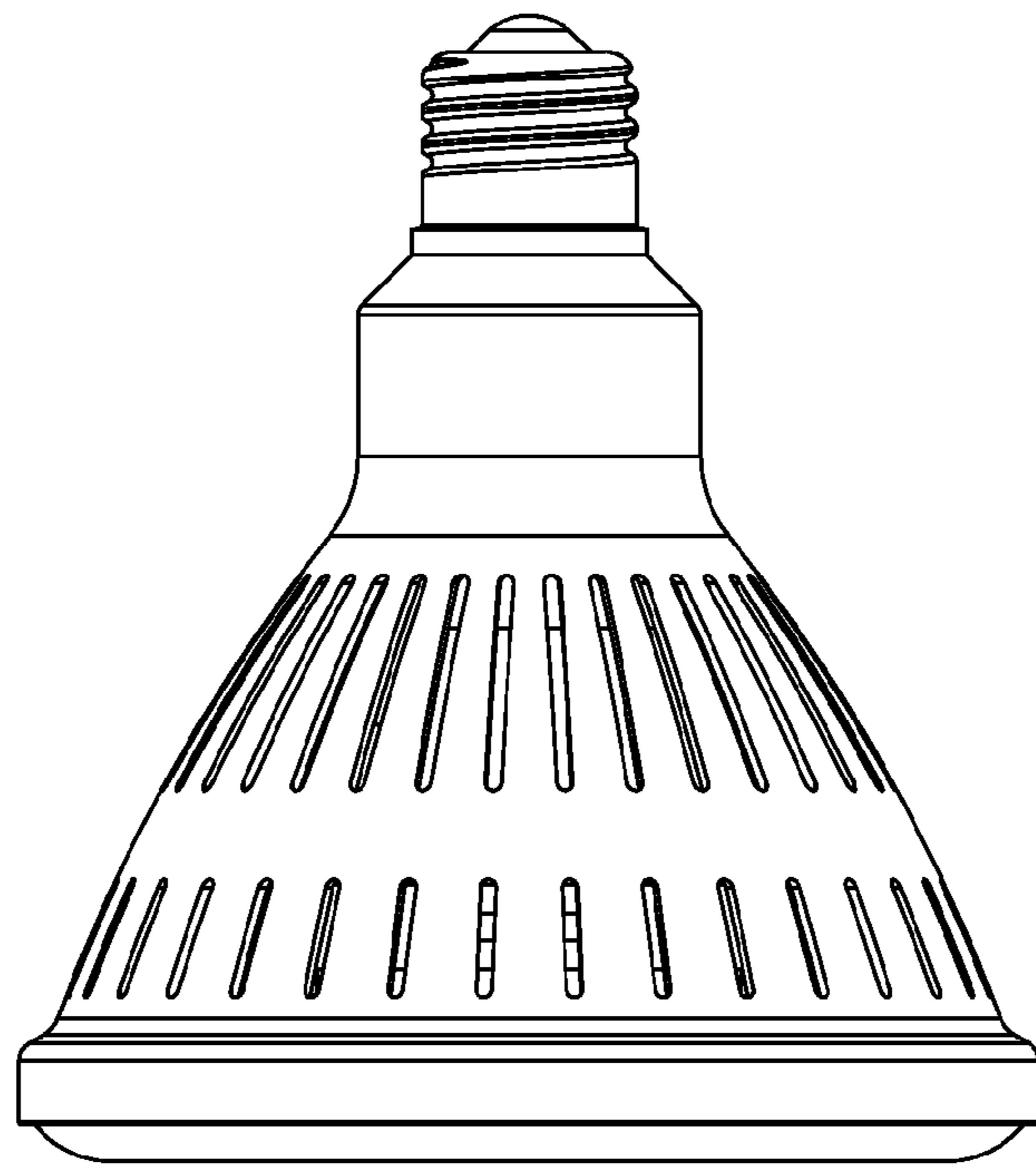


FIG. 3

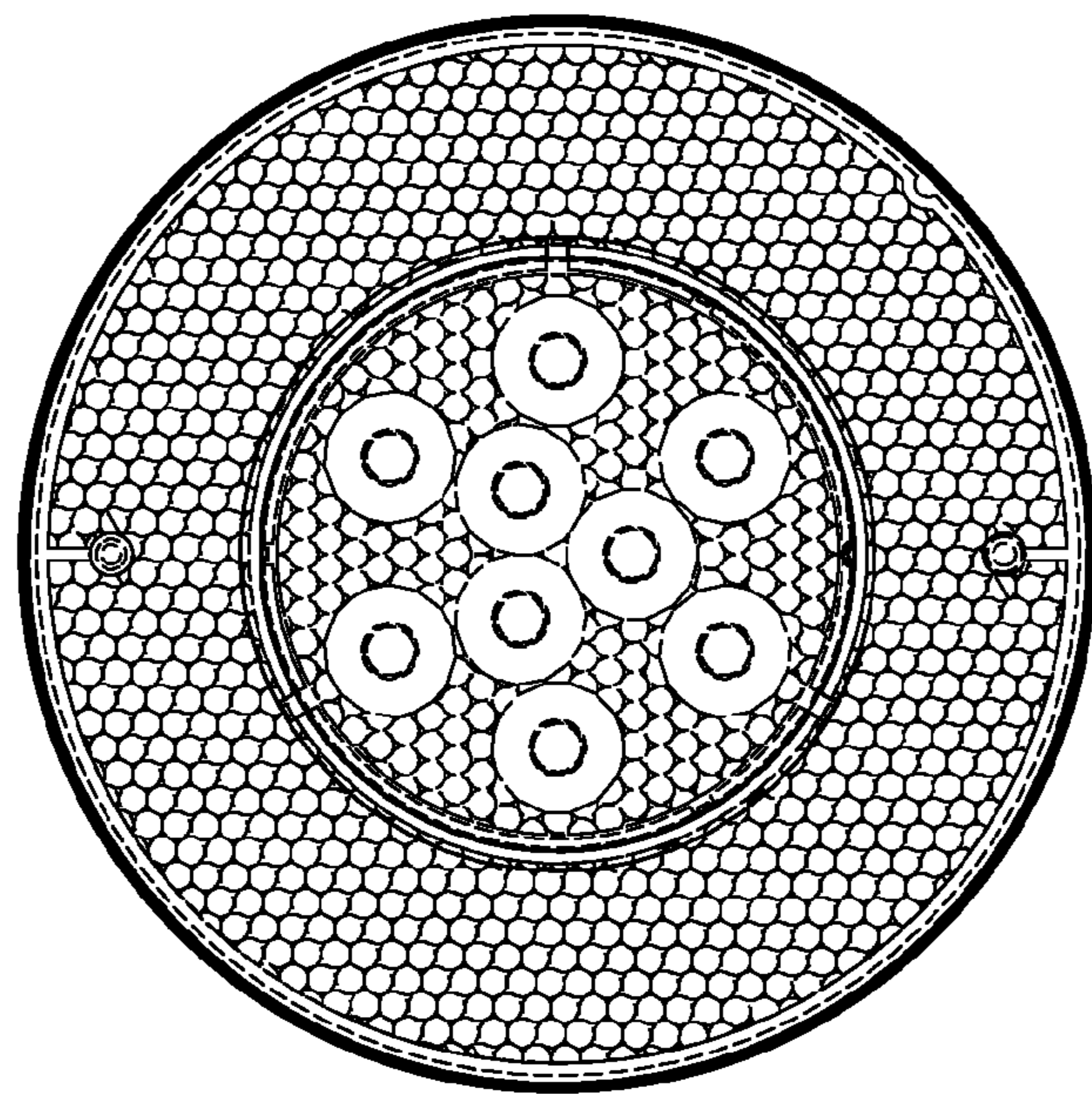


FIG. 4

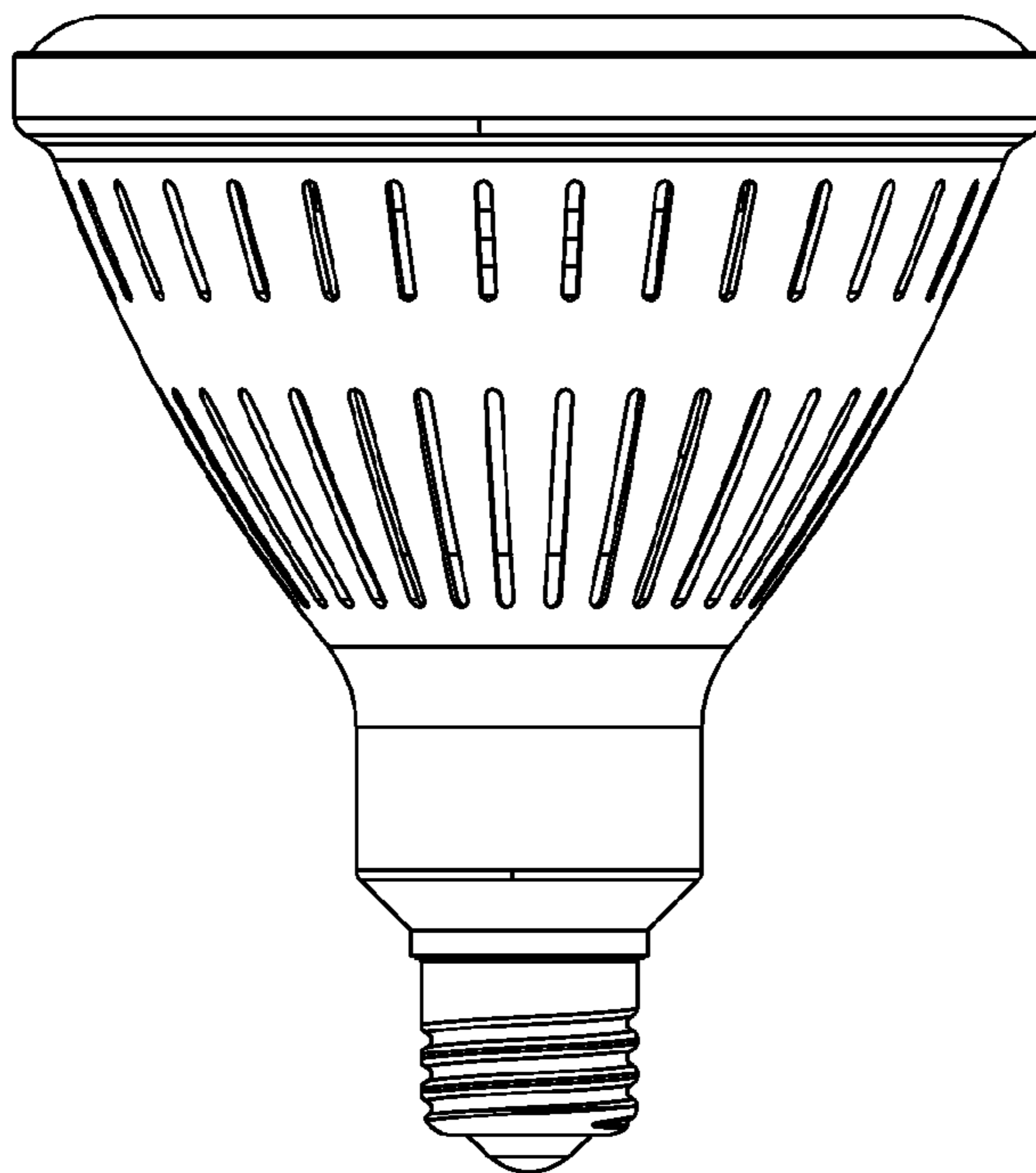


FIG. 5

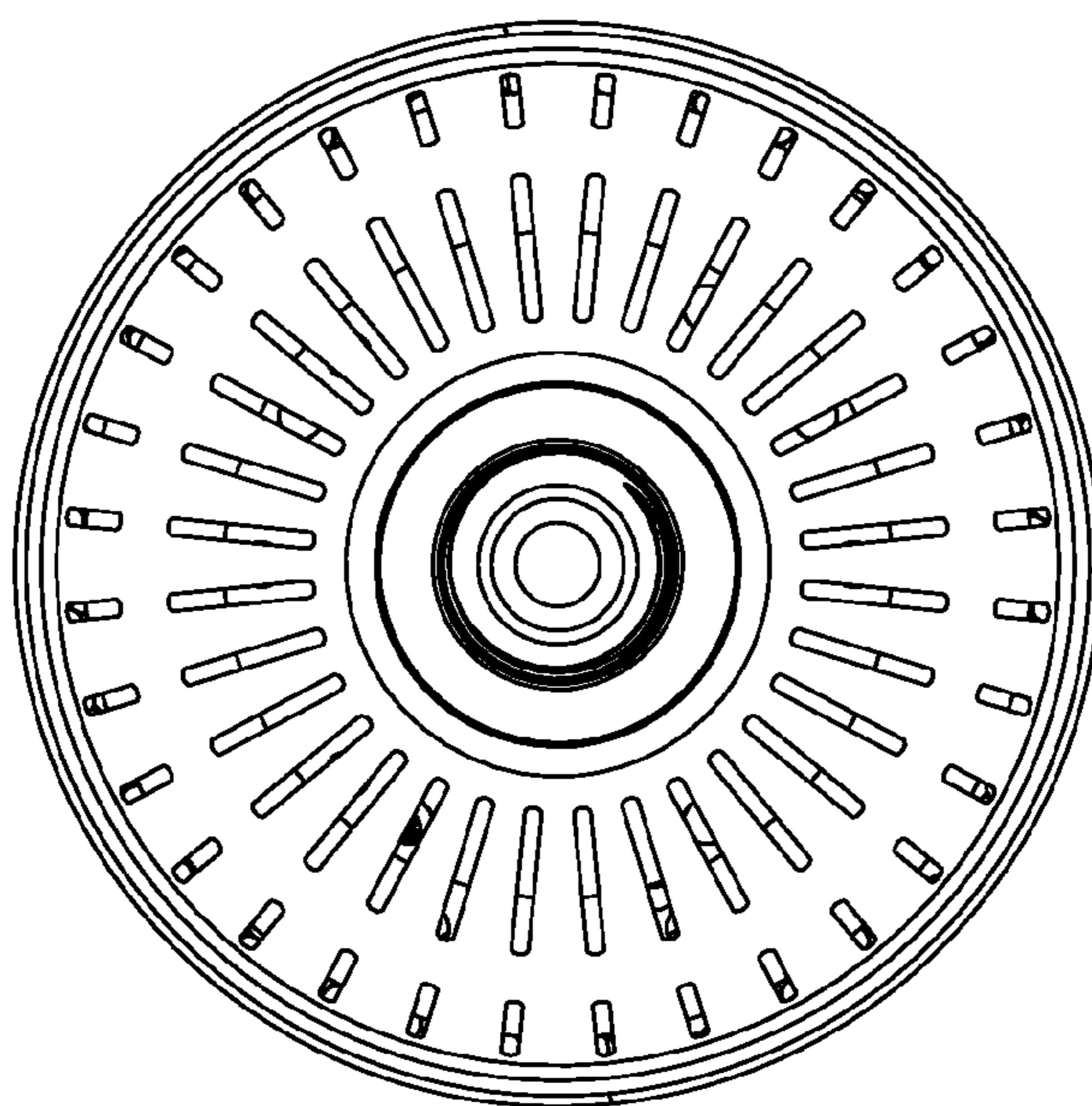


FIG. 6