



US00D636903S

(12) **United States Design Patent**
Torenbeek

(10) **Patent No.:** **US D636,903 S**

(45) **Date of Patent:** **** *Apr. 26, 2011**

(54) **LED LIGHT**

(76) Inventor: **Martijn Reinder Torenbeek**, Enschede (NL)

(*) Notice: This patent is subject to a terminal disclaimer.

(**) Term: **14 Years**

(21) Appl. No.: **29/359,176**

(22) Filed: **Apr. 7, 2010**

(51) **LOC (9) Cl.** **26-04**

(52) **U.S. Cl.** **D26/2**

(58) **Field of Classification Search** D26/1-4;
313/313, 315, 316, 317, 318, 493; 315/52,
315/53, 56, 57, 58

See application file for complete search history.

(56) **References Cited**

U.S. PATENT DOCUMENTS

D302,863 S * 8/1989 Krol D26/26
D551,784 S * 9/2007 Krieglmeier et al. D26/2

D572,385 S * 7/2008 Mazzochette et al. D26/2
D581,554 S * 11/2008 To et al. D26/2
D599,920 S * 9/2009 Pei et al. D26/2
D601,275 S * 9/2009 Ho et al. D26/2

* cited by examiner

Primary Examiner — Marcus A Jackson

(74) *Attorney, Agent, or Firm* — Porzio, Bromberg & Newman, P.C.

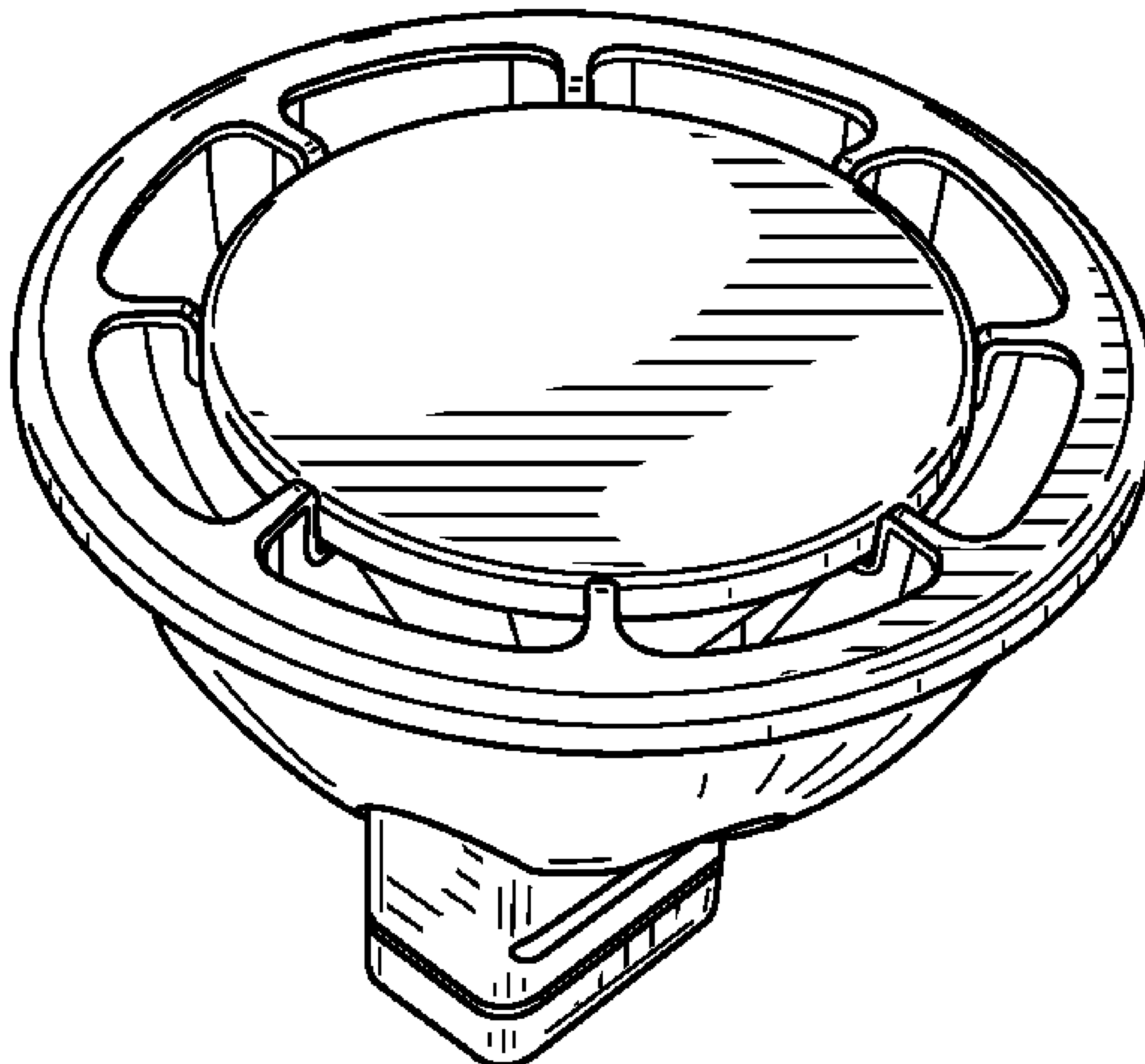
(57) **CLAIM**

I claim, the ornamental design for a LED light, as shown and described.

DESCRIPTION

FIG. 1 is a perspective view, showing my new design;
FIG. 2 is a front view of FIG. 1;
FIG. 3 is back view of FIG. 1;
FIG. 4 is a side view taken from the right side of FIG. 1;
FIG. 5 is a side view taken from the left side of FIG. 1;
FIG. 6 is a top view of FIG. 1; and,
FIG. 7 is a bottom view of FIG. 1.

1 Claim, 3 Drawing Sheets



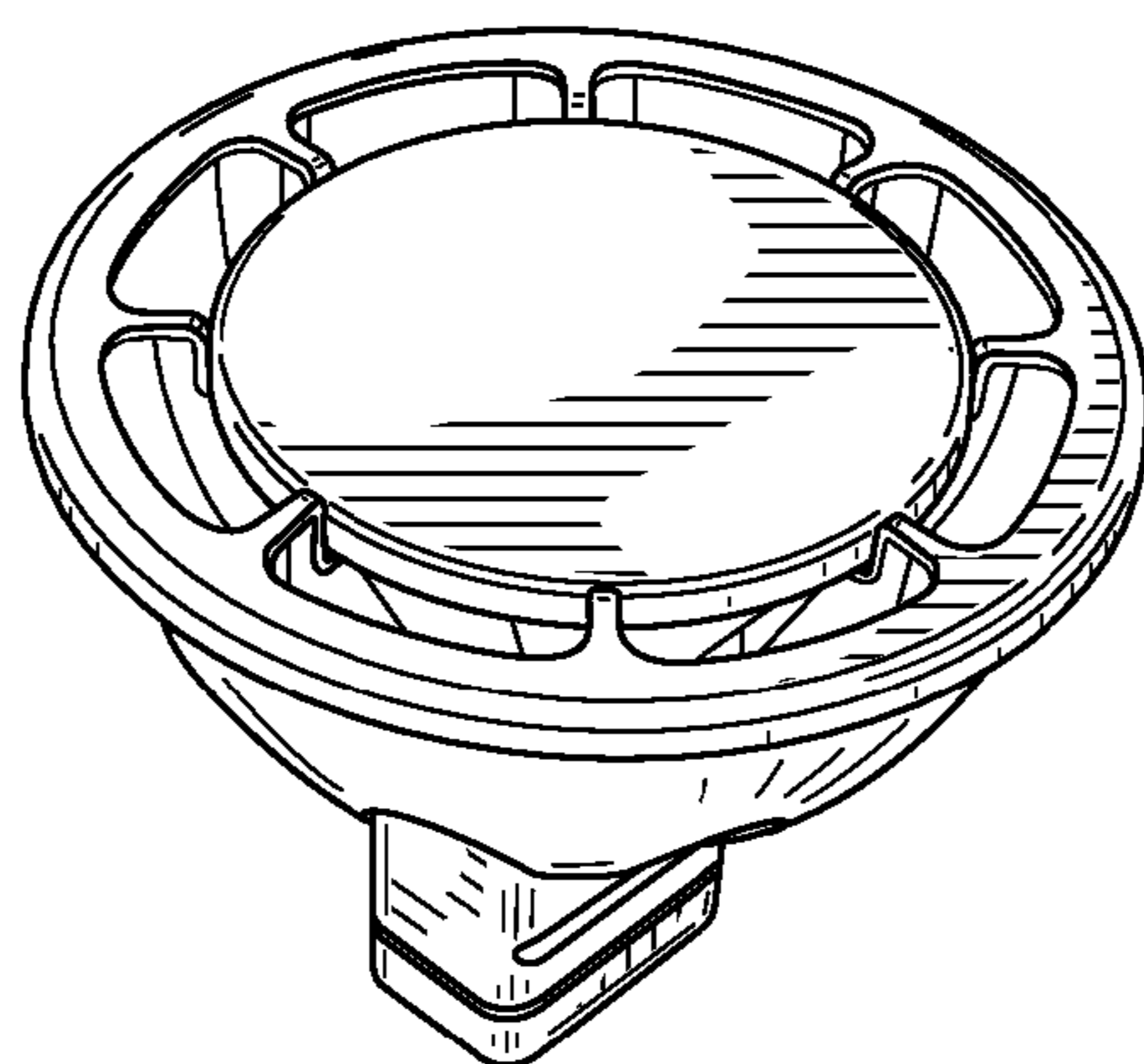


FIG. 1

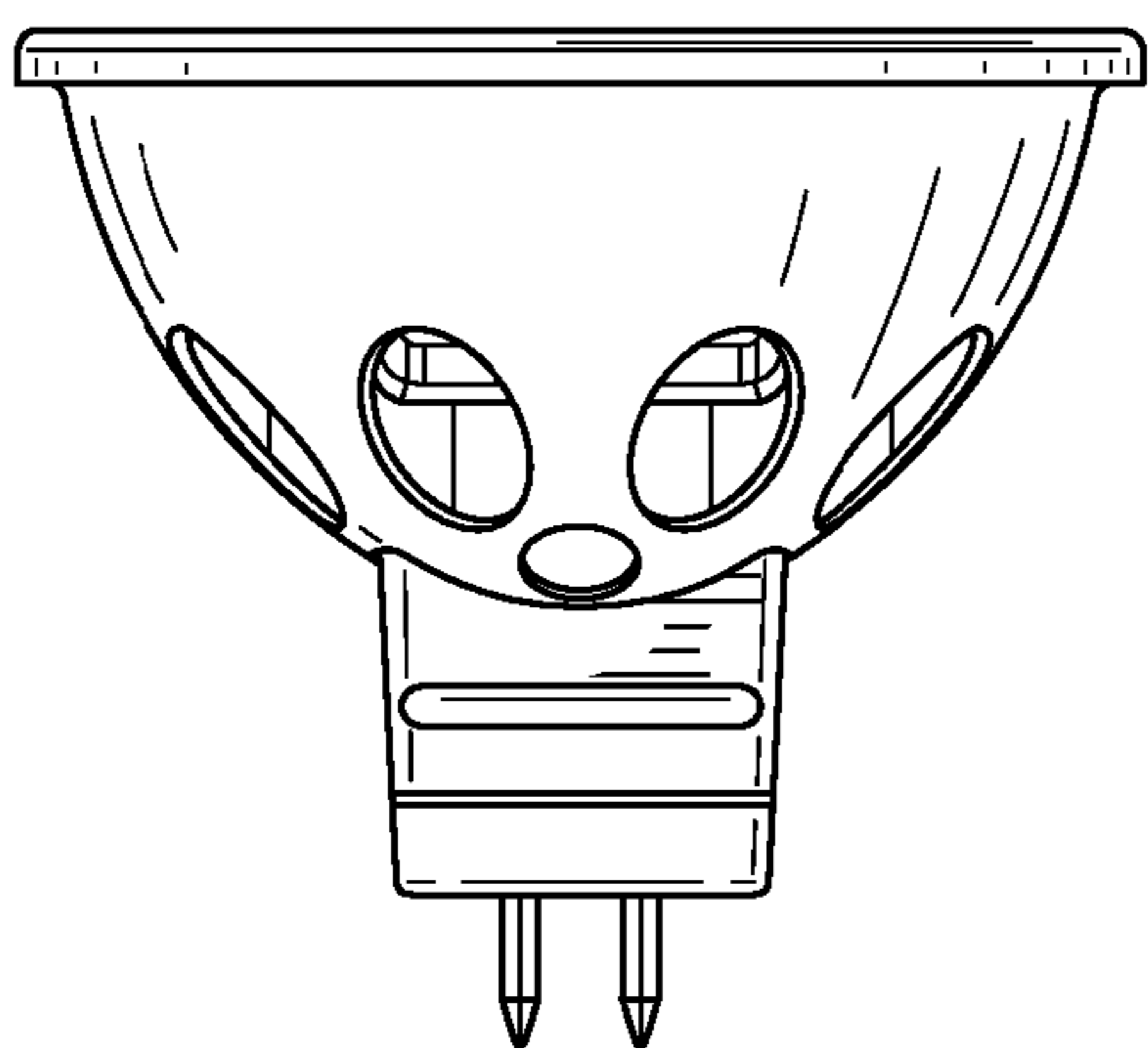


FIG. 2

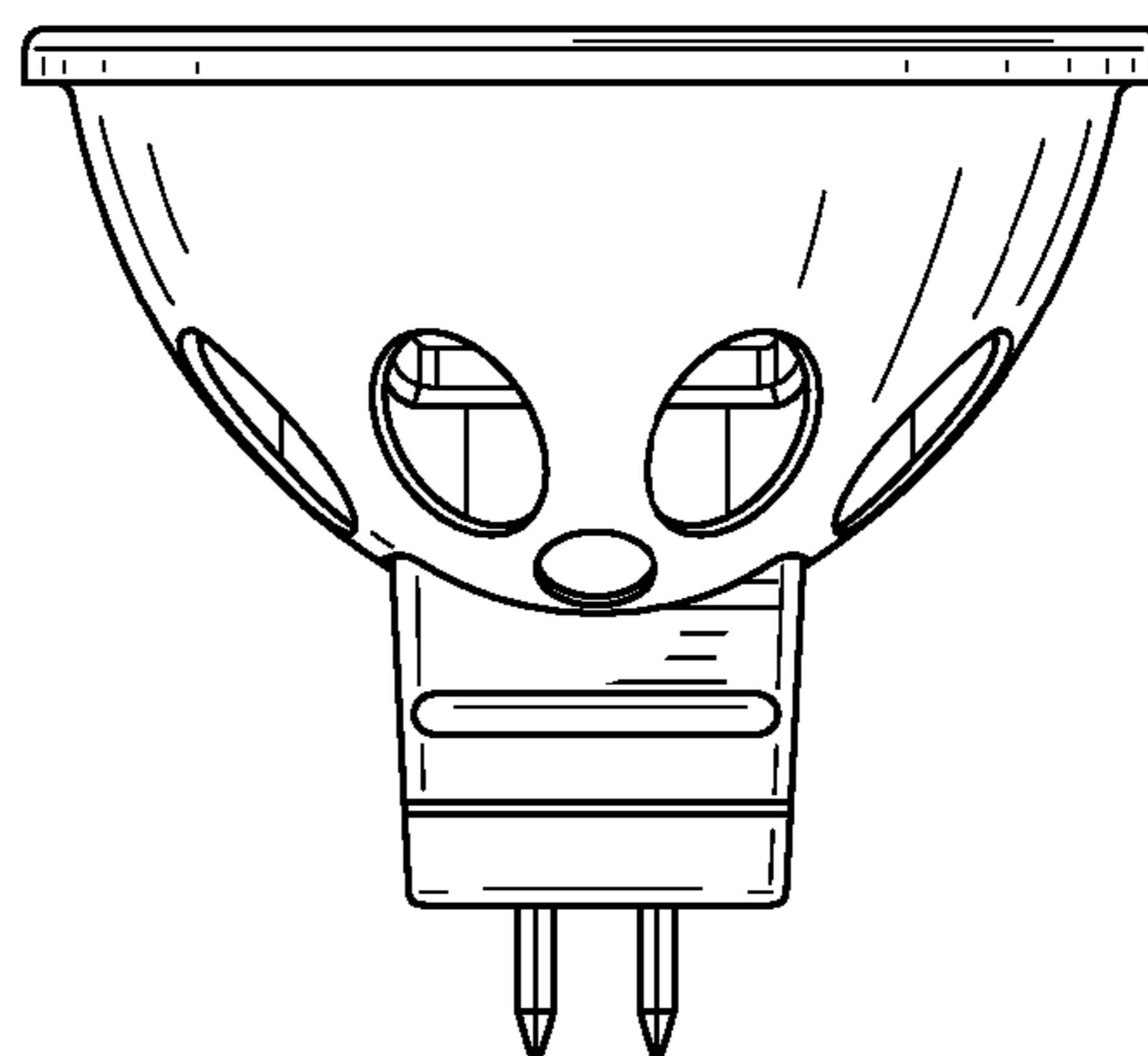


FIG. 3

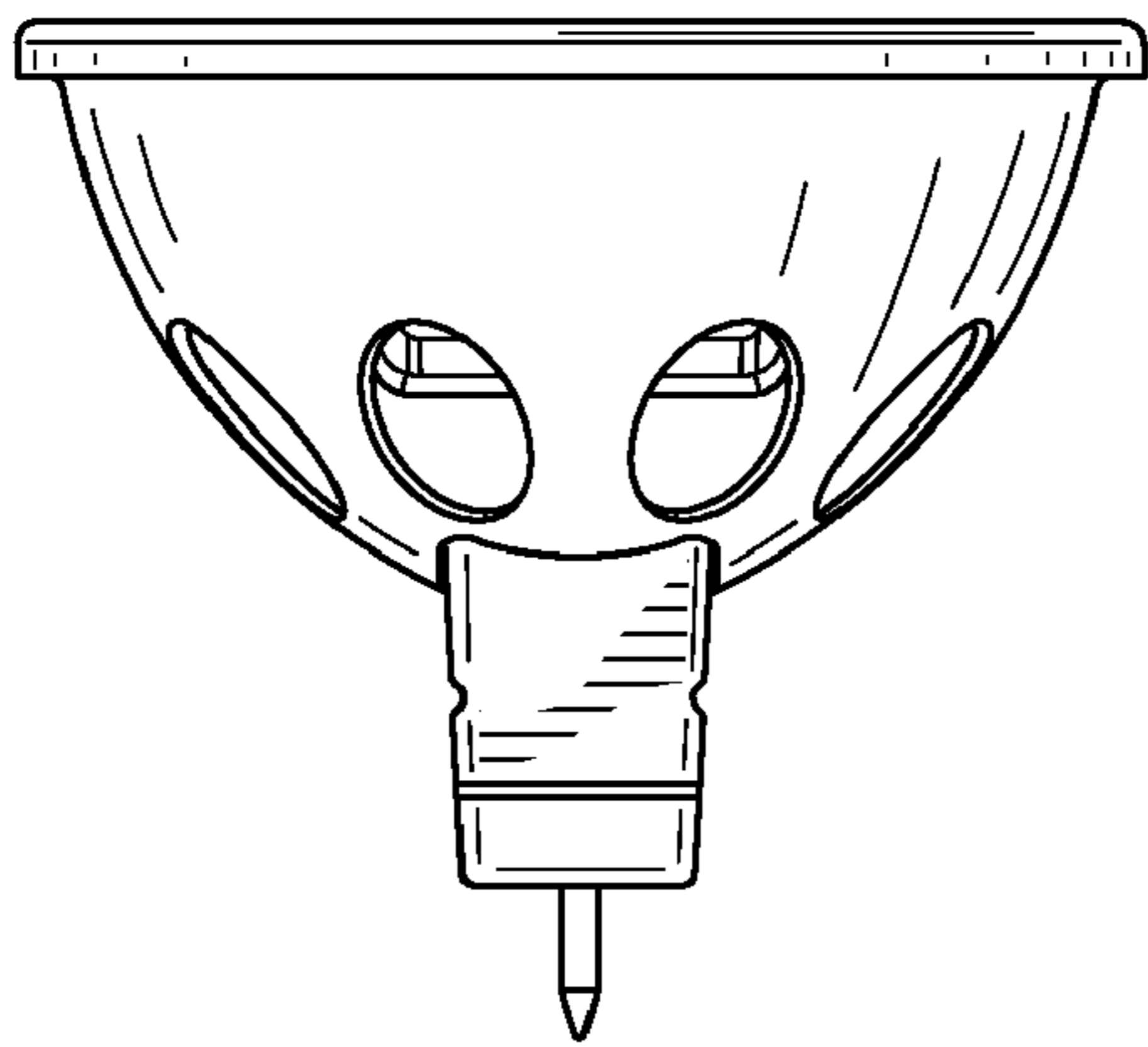


FIG. 4

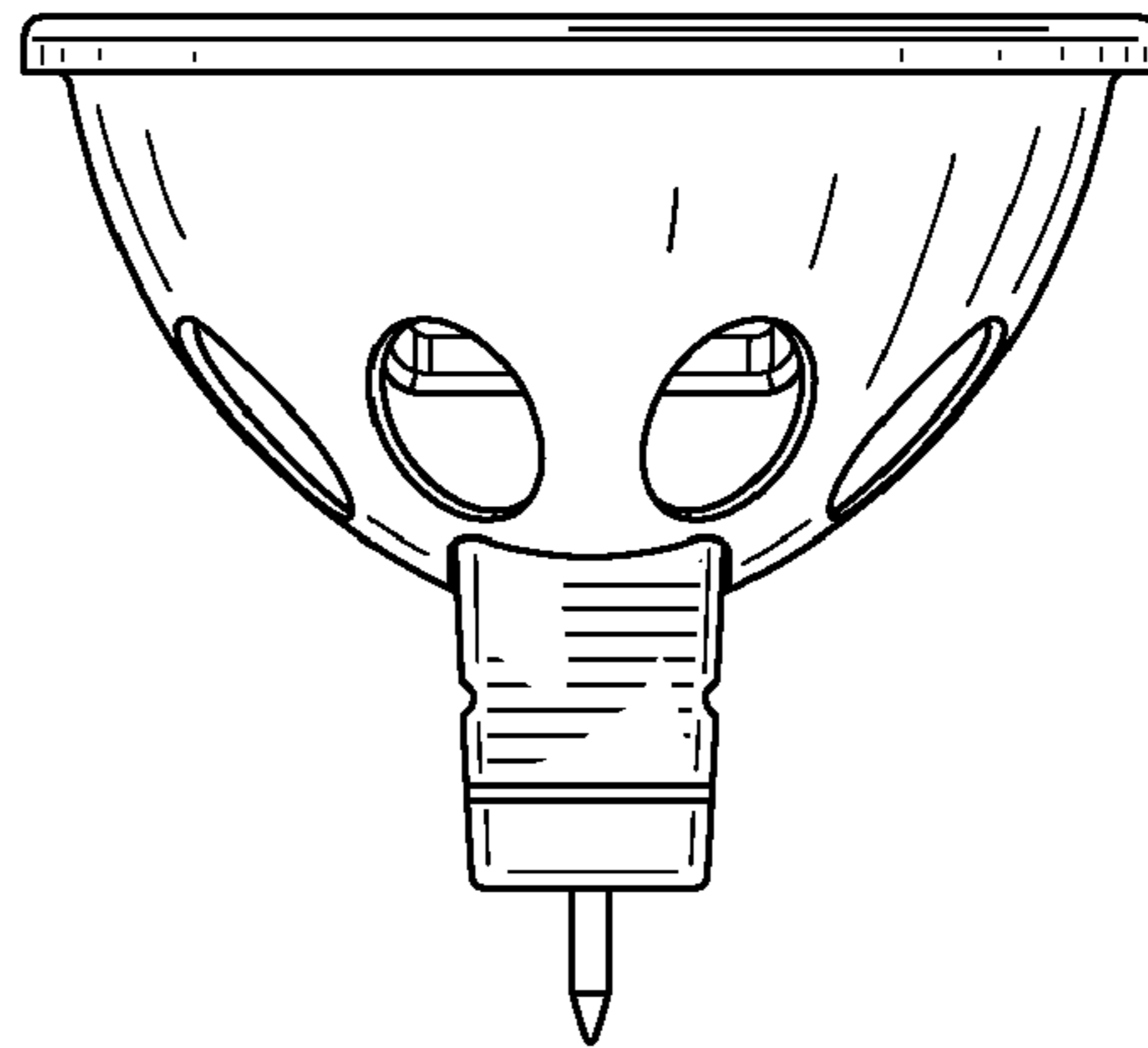


FIG. 5

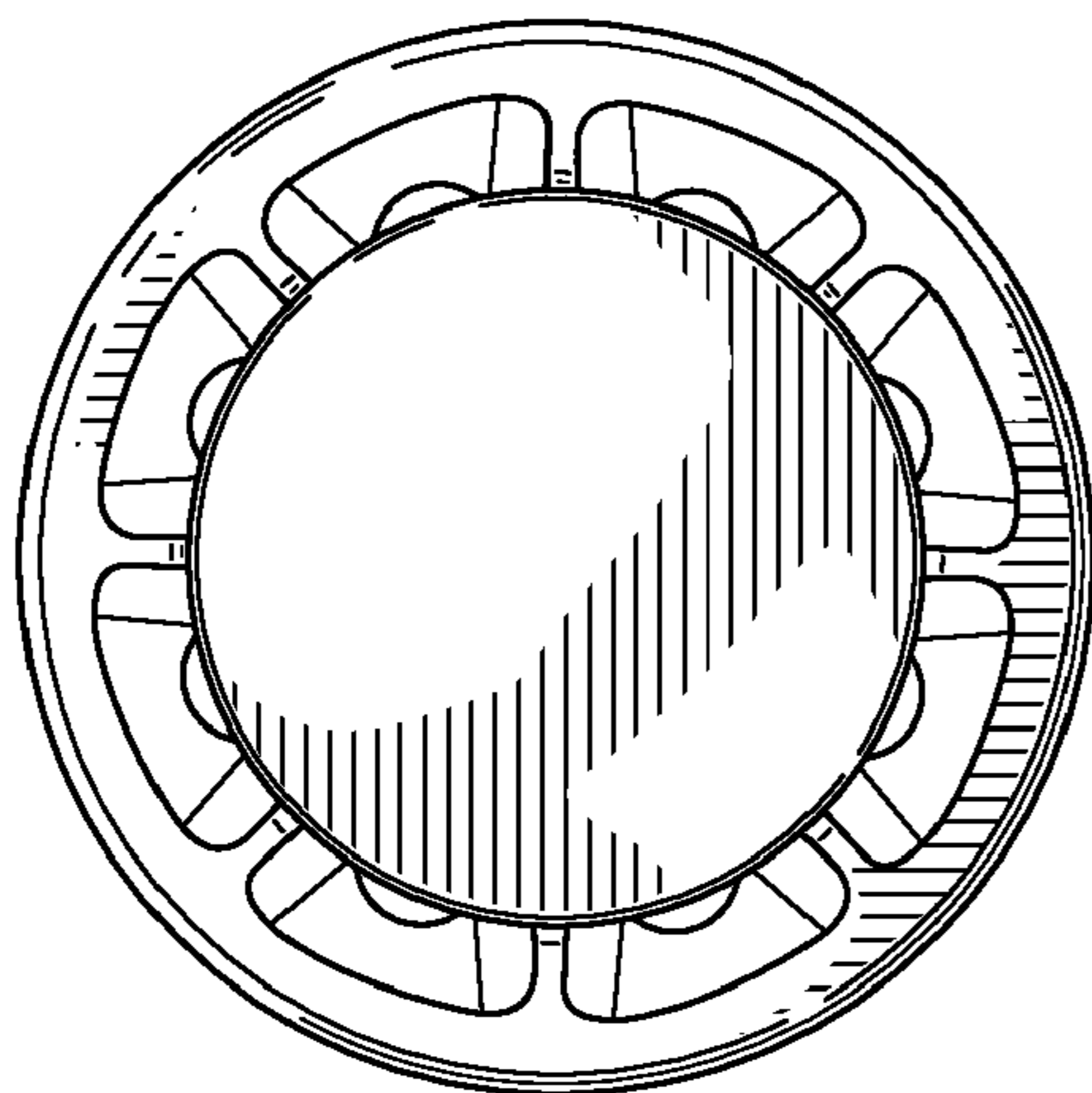


FIG. 6

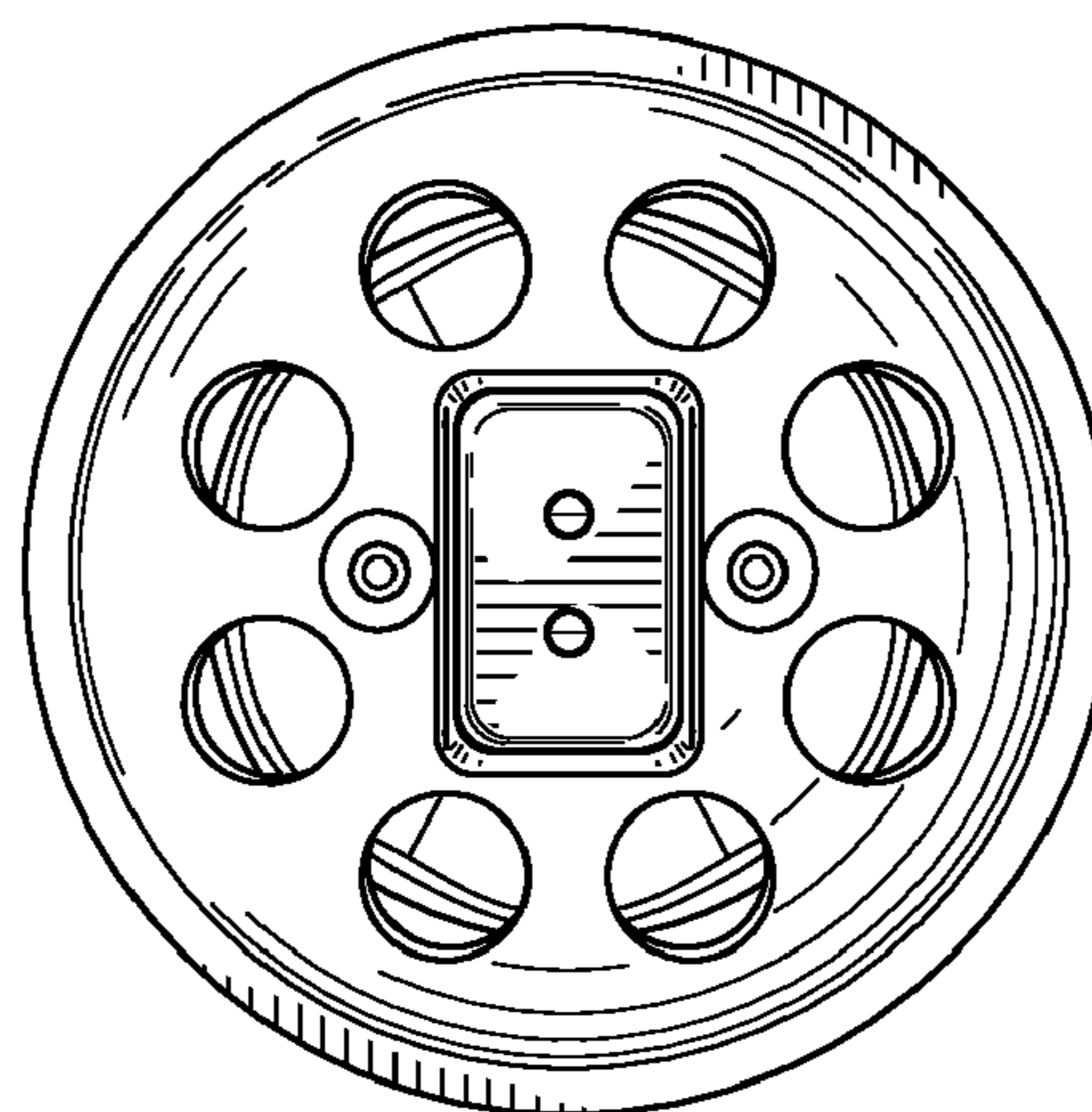


FIG. 7