



US00D636902S

(12) **United States Design Patent**
Pei et al.

(10) **Patent No.:** **US D636,902 S**

(45) **Date of Patent:** **** Apr. 26, 2011**

(54) **LIGHTING DEVICE**

OTHER PUBLICATIONS

(75) Inventors: **Chien-Chang Pei**, Tucheng (TW);
Yi-Hung Chen, Tucheng (TW); **Jen-Hui Wang**, Tucheng (TW)

Taiwan Office Action mailed Jan. 11, 2011.

* cited by examiner

(73) Assignee: **Everlight Electronics Co., Ltd.**,
Tucheng, Taipei County (TW)

Primary Examiner — Marcus A Jackson

(74) *Attorney, Agent, or Firm* — Thomas, Kayden,
Horstemeyer & Risley, LLP

(**) Term: **14 Years**

(21) Appl. No.: **29/357,455**

(22) Filed: **Mar. 12, 2010**

(51) **LOC (9) Cl.** **26-04**

(52) **U.S. Cl.** **D26/2**

(58) **Field of Classification Search** D26/1-4;
313/313, 315, 316, 317, 318, 493; 315/52,
315/53, 56, 57, 58

See application file for complete search history.

(57) **CLAIM**

The ornamental design for a lighting device, as shown and described.

DESCRIPTION

FIG. 1 is a perspective view of a lighting device showing the claimed design;

FIG. 2 is another perspective view thereof;

FIG. 3 is a front elevational view thereof;

FIG. 4 is a rear side elevational view thereof;

FIG. 5 is a left side elevational view thereof;

FIG. 6 is a right side elevational view thereof;

FIG. 7 is a top plan view thereof; and,

FIG. 8 is a bottom plan view thereof.

The broken lines are directed to environment and are for illustrative purpose only; the broken lines form no part of the claimed design.

(56) **References Cited**

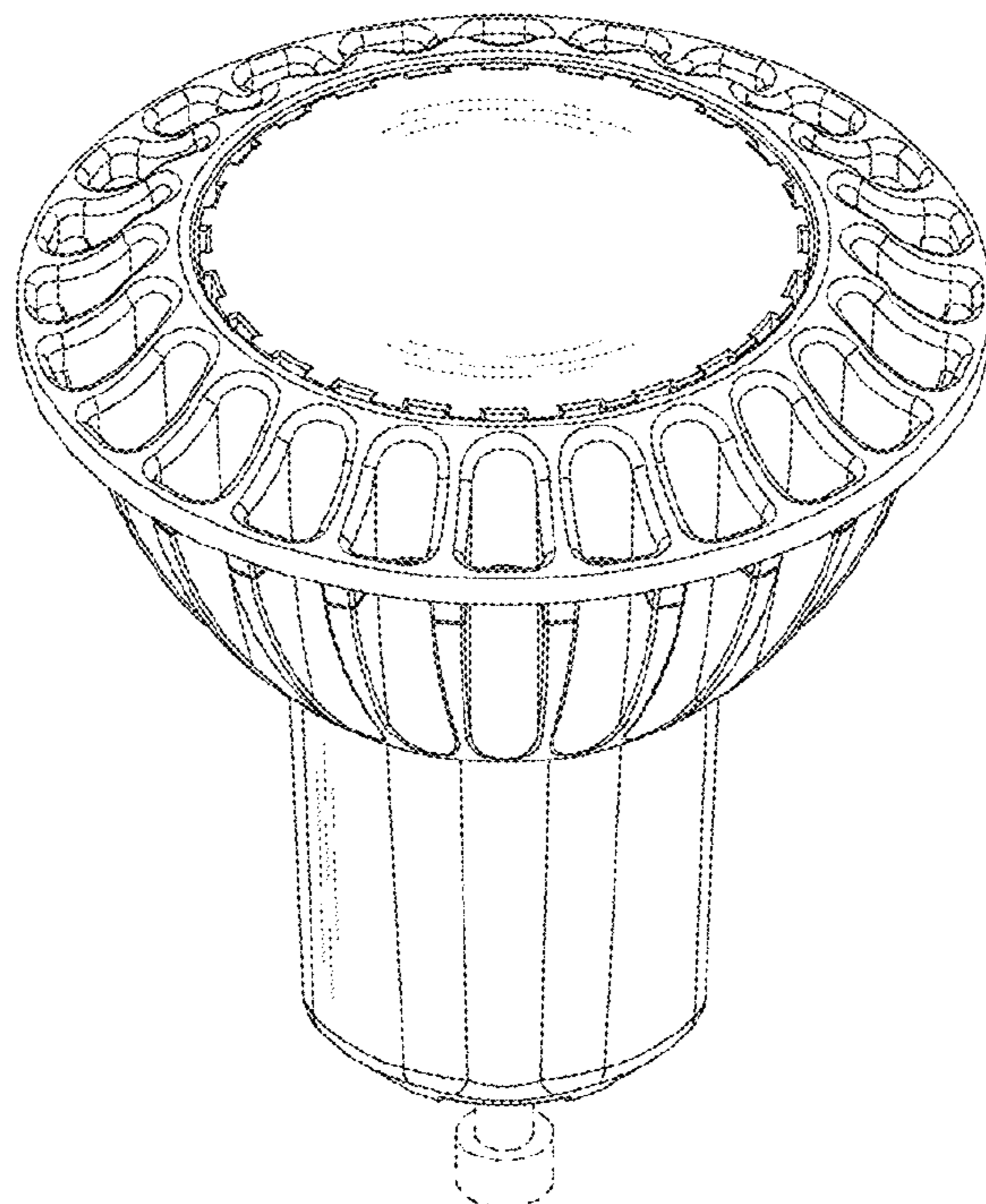
U.S. PATENT DOCUMENTS

6,787,999	B2	9/2004	Stimac et al.	
D581,555	S *	11/2008	To et al.	D26/2
D593,222	S *	5/2009	To et al.	D26/2
D594,997	S *	6/2009	Zhu et al.	D26/2
D601,722	S *	10/2009	Foo	D26/2

FOREIGN PATENT DOCUMENTS

JP	D599041	4/1983
JP	D612956	11/1983
JP	2002-184209	6/2002
TW	M356067	12/1997
TW	D134005	3/2010

1 Claim, 5 Drawing Sheets



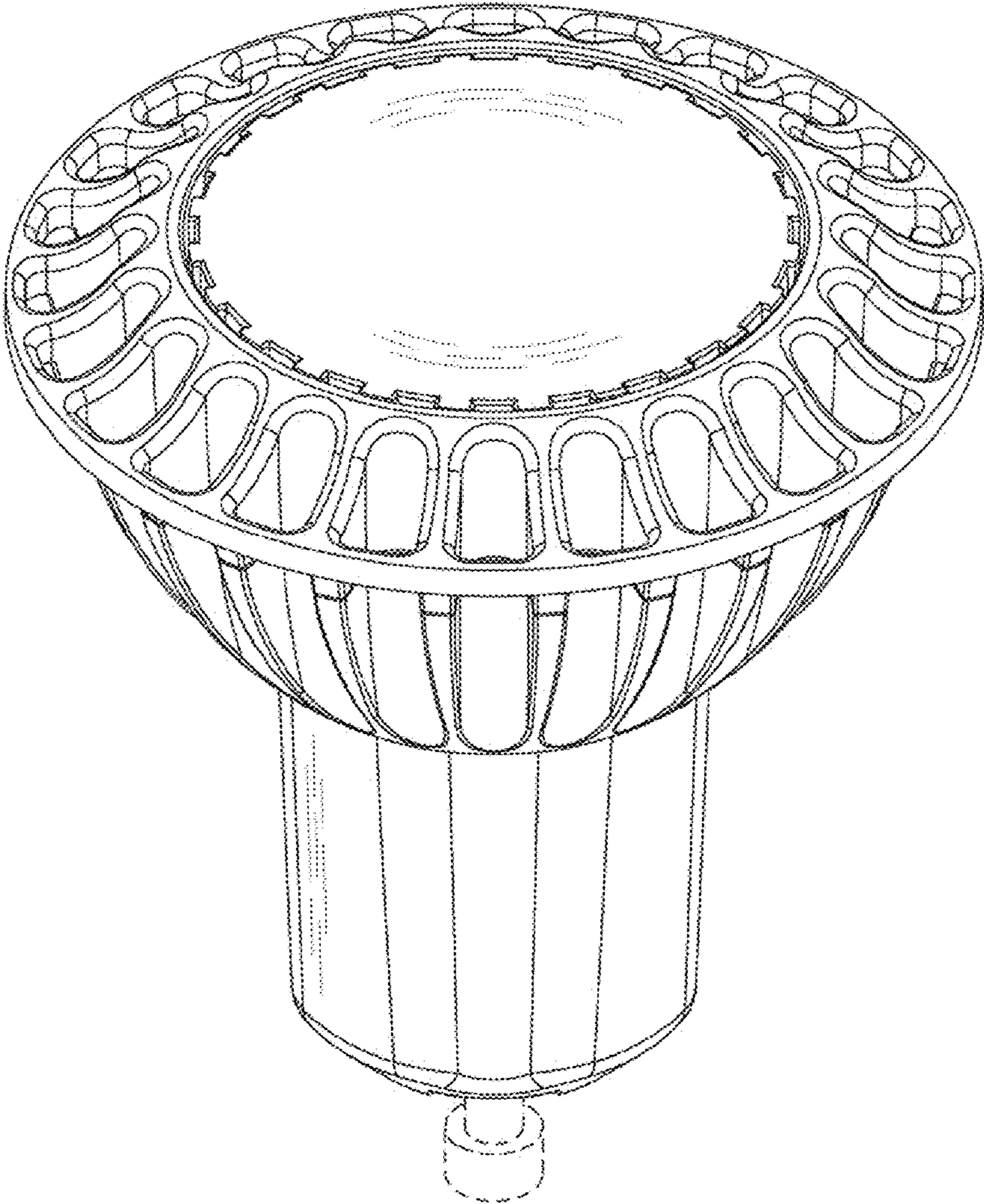


FIG. 1

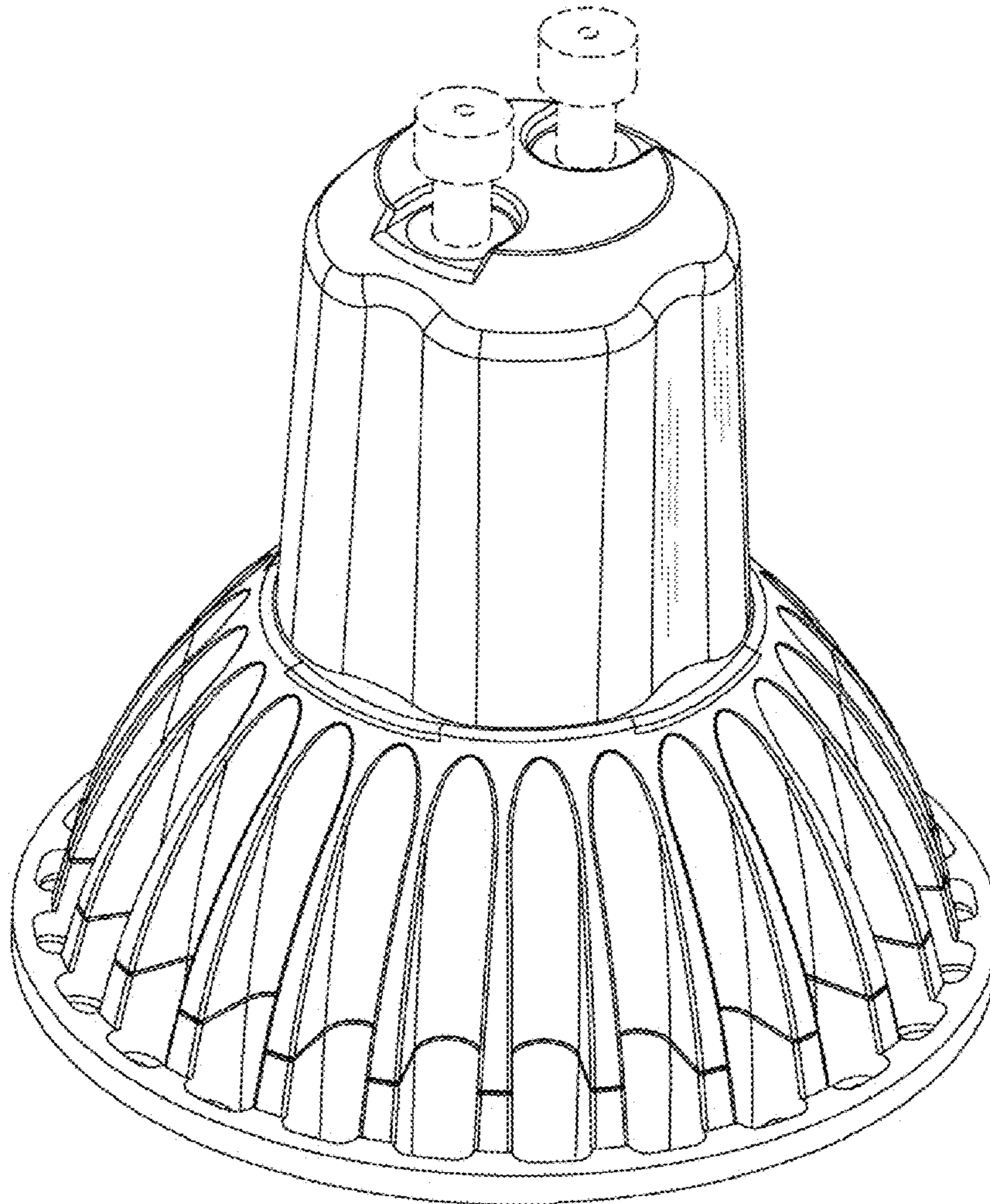


FIG. 2

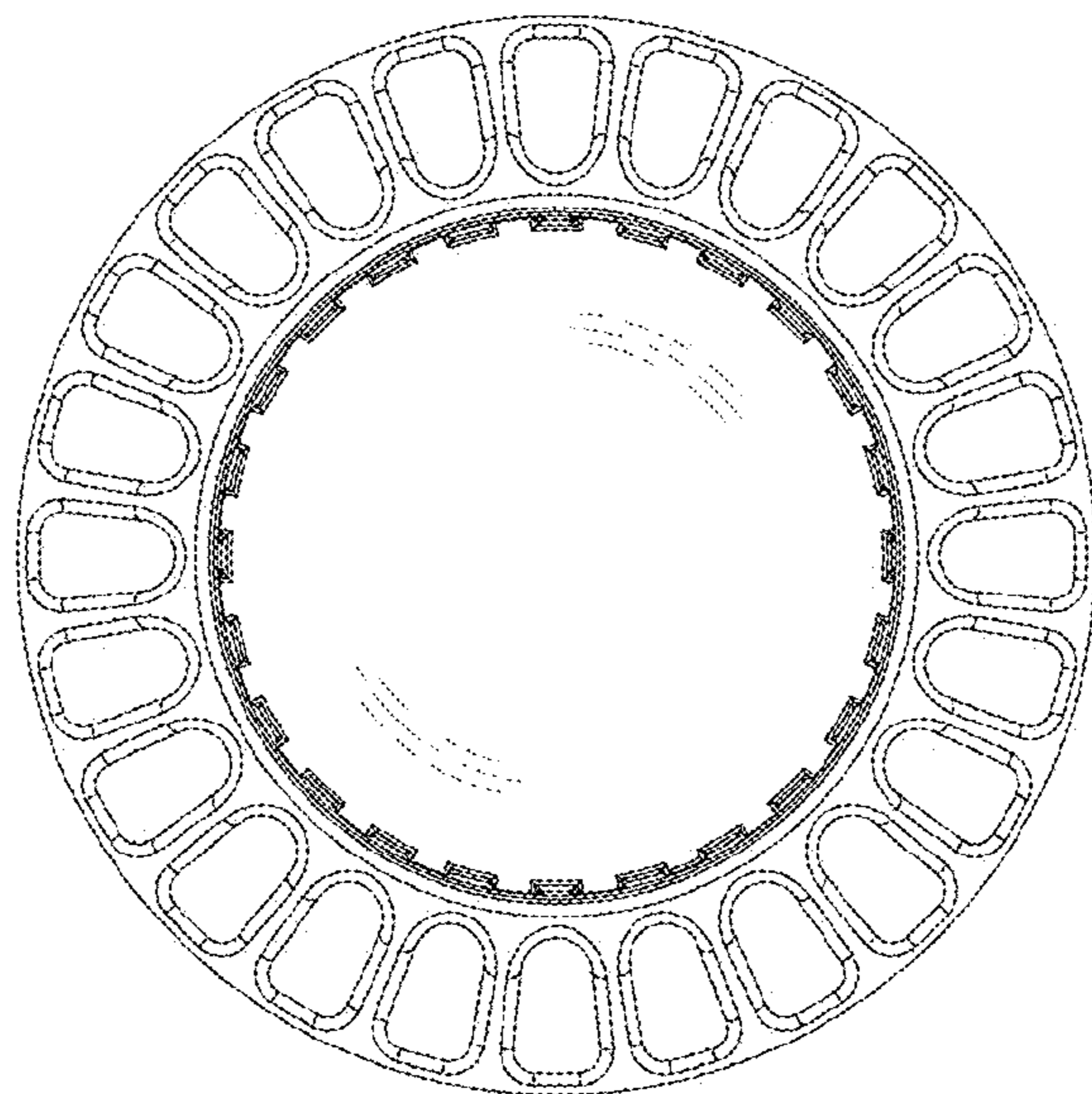


FIG. 3

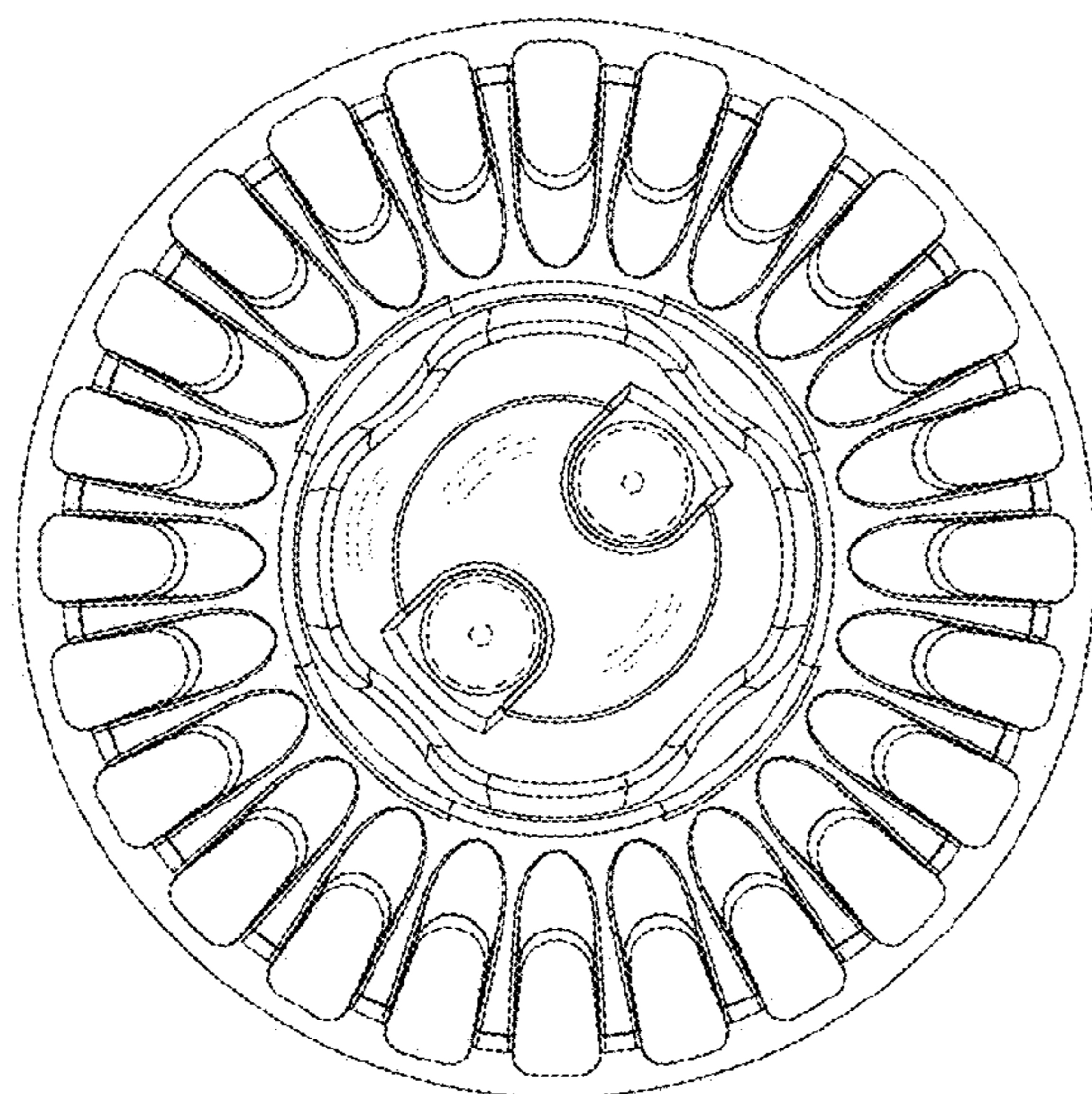


FIG. 4

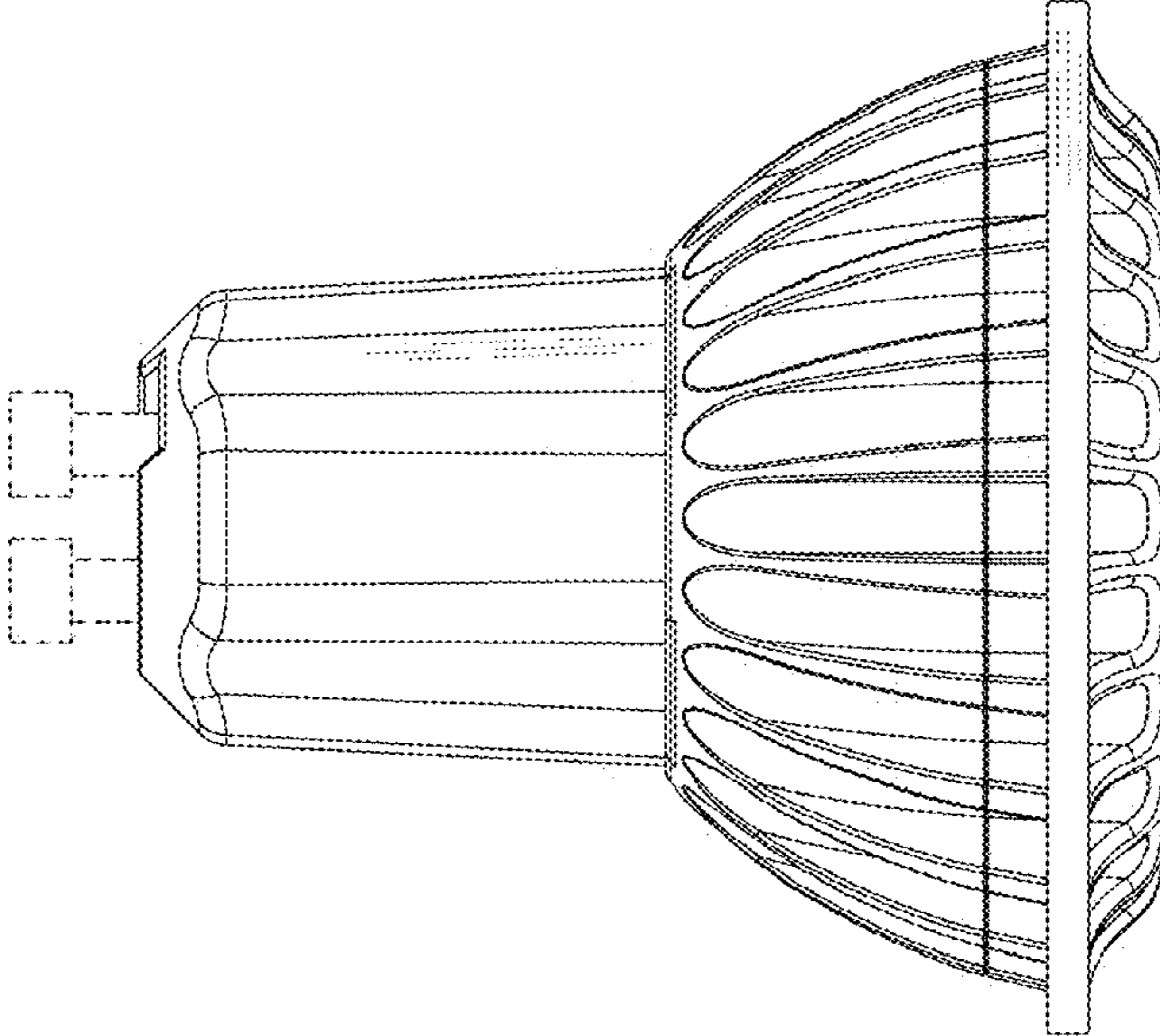


FIG. 5

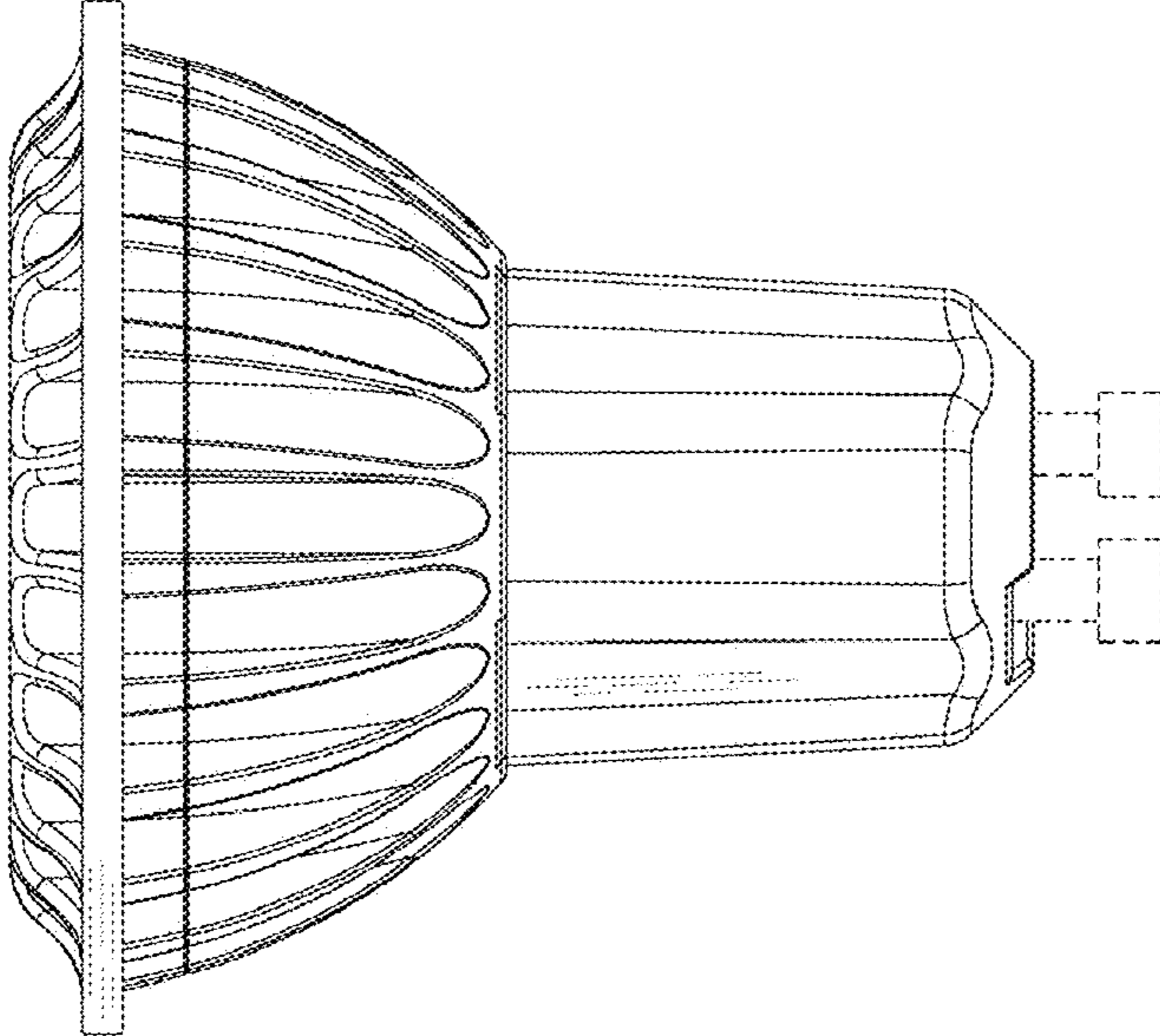


FIG. 6

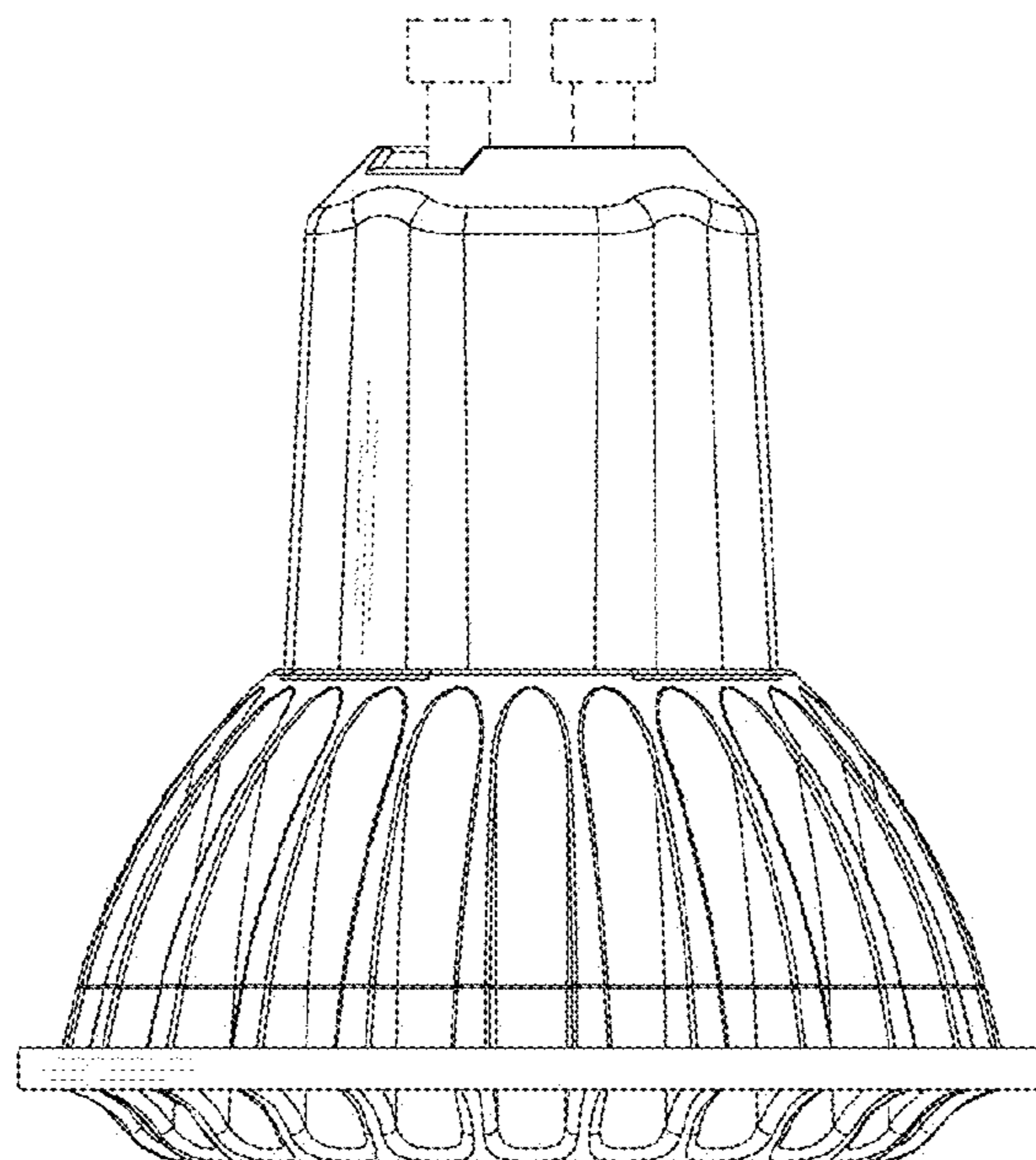


FIG. 7

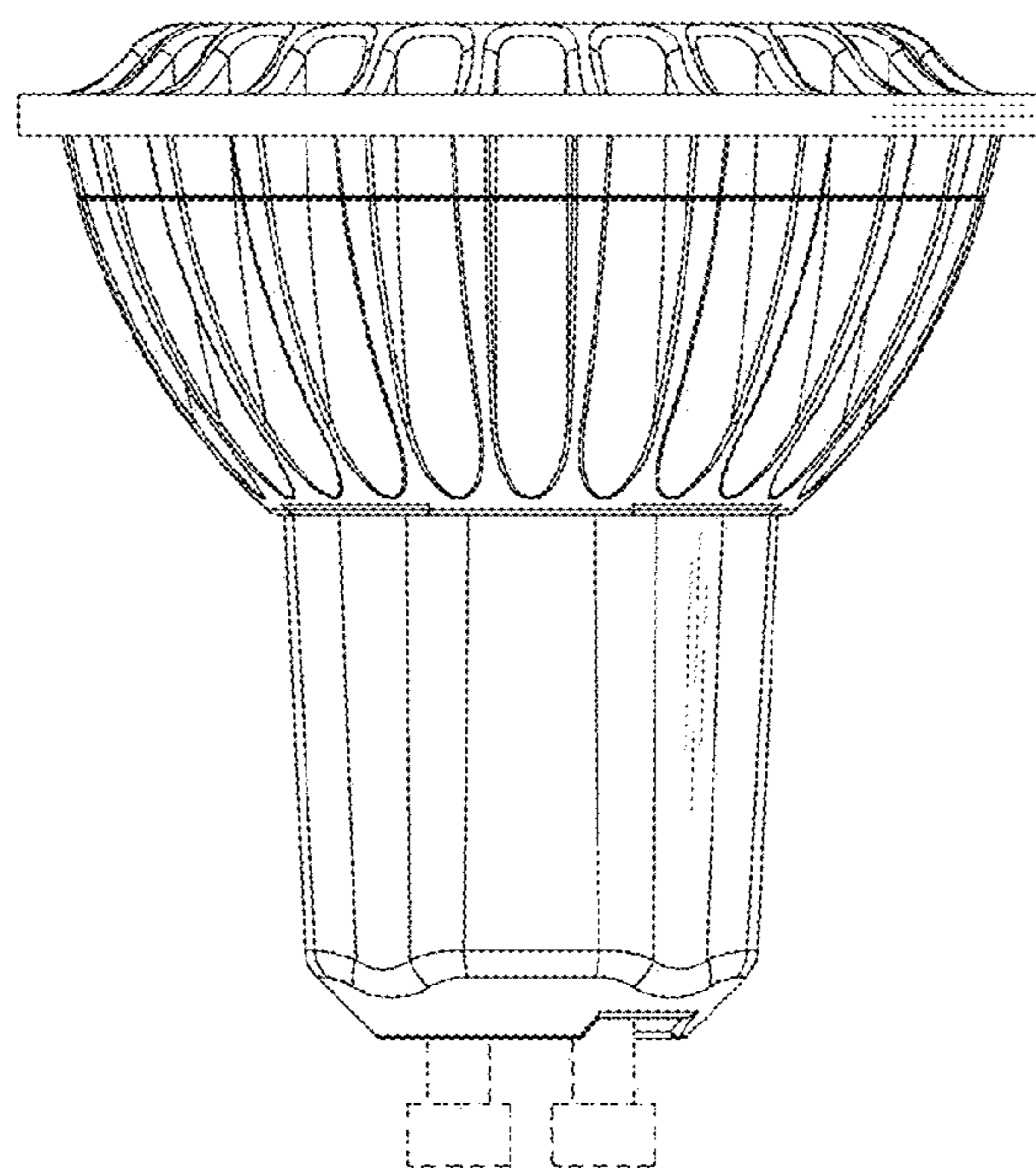


FIG. 8