



US00D636900S

(12) **United States Design Patent**
Chou et al.

(10) **Patent No.:** **US D636,900 S**
(45) **Date of Patent:** **** Apr. 26, 2011**

(54) **LED DEVICE**

FOREIGN PATENT DOCUMENTS

(75) Inventors: **Hemu Chou**, Taipei County (TW);
Shih-Hua Pan, Taipei County (TW)

KR	300430690	11/2006
KR	300453614	6/2007
TW	D129005	6/2006
TW	D132328	12/2009

(73) Assignee: **Everlight Electronics Co., Ltd.**, Taipei (TW)

* cited by examiner

(**) Term: **14 Years**

Primary Examiner — Marcus A Jackson

(21) Appl. No.: **29/366,191**

(74) *Attorney, Agent, or Firm* — Muncy, Geissler, Olds & Lowe, PLLC

(22) Filed: **Jul. 21, 2010**

(57) **CLAIM**

The ornamental design for LED device, as shown and described.

(30) **Foreign Application Priority Data**

Jan. 21, 2010 (TW) 99300253

DESCRIPTION

(51) **LOC (9) Cl.** **26-04**

(52) **U.S. Cl.** **D26/1**

(58) **Field of Classification Search** D26/1-4;
313/313, 315, 316, 317, 318, 493; 315/52,
315/53, 56, 57, 58

See application file for complete search history.

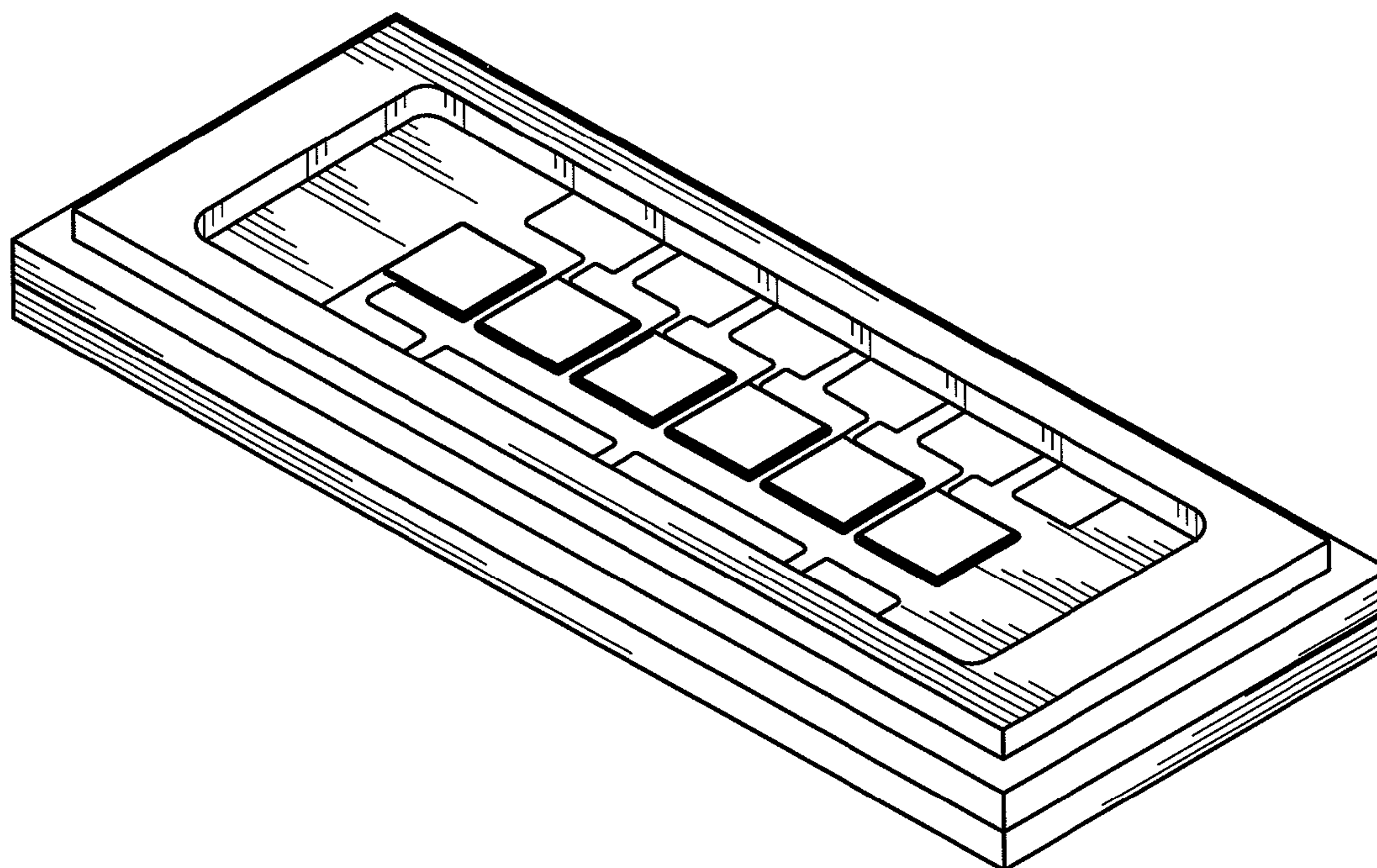
FIG. 1 is a front perspective view thereof;
FIG. 2 is a front view thereof;
FIG. 3 is a rear view thereof;
FIG. 4 is a left side view thereof;
FIG. 5 is a right side view thereof;
FIG. 6 is a top plan view thereof;
FIG. 7 is a bottom plan view thereof;
FIG. 8 is a rear perspective view thereof;
FIG. 9 is cross-sectional view taken along line A—A in FIG. 2; and,
FIG. 10 is cross-sectional view taken along line B—B in FIG. 2.

(56) **References Cited**

U.S. PATENT DOCUMENTS

565,515	A	8/1896	Scudder	
D562,473	S	* 2/2008	Matsui et al.	D26/24
D566,303	S	* 4/2008	Uemoto et al.	D26/24
D612,958	S	* 3/2010	Uemoto et al.	D26/24
D623,781	S	* 9/2010	Uemoto et al.	D26/24

1 Claim, 6 Drawing Sheets



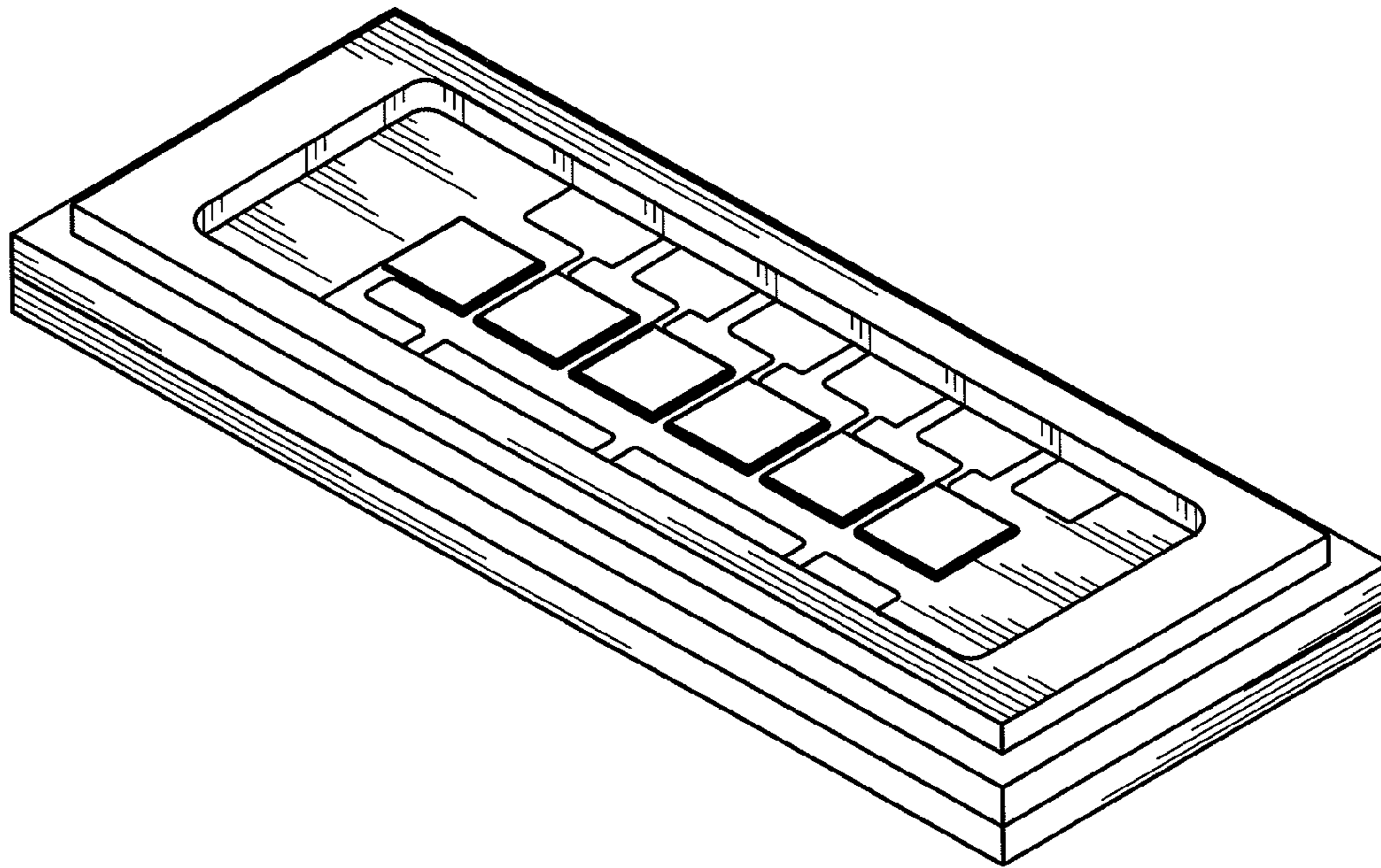


FIG. 1

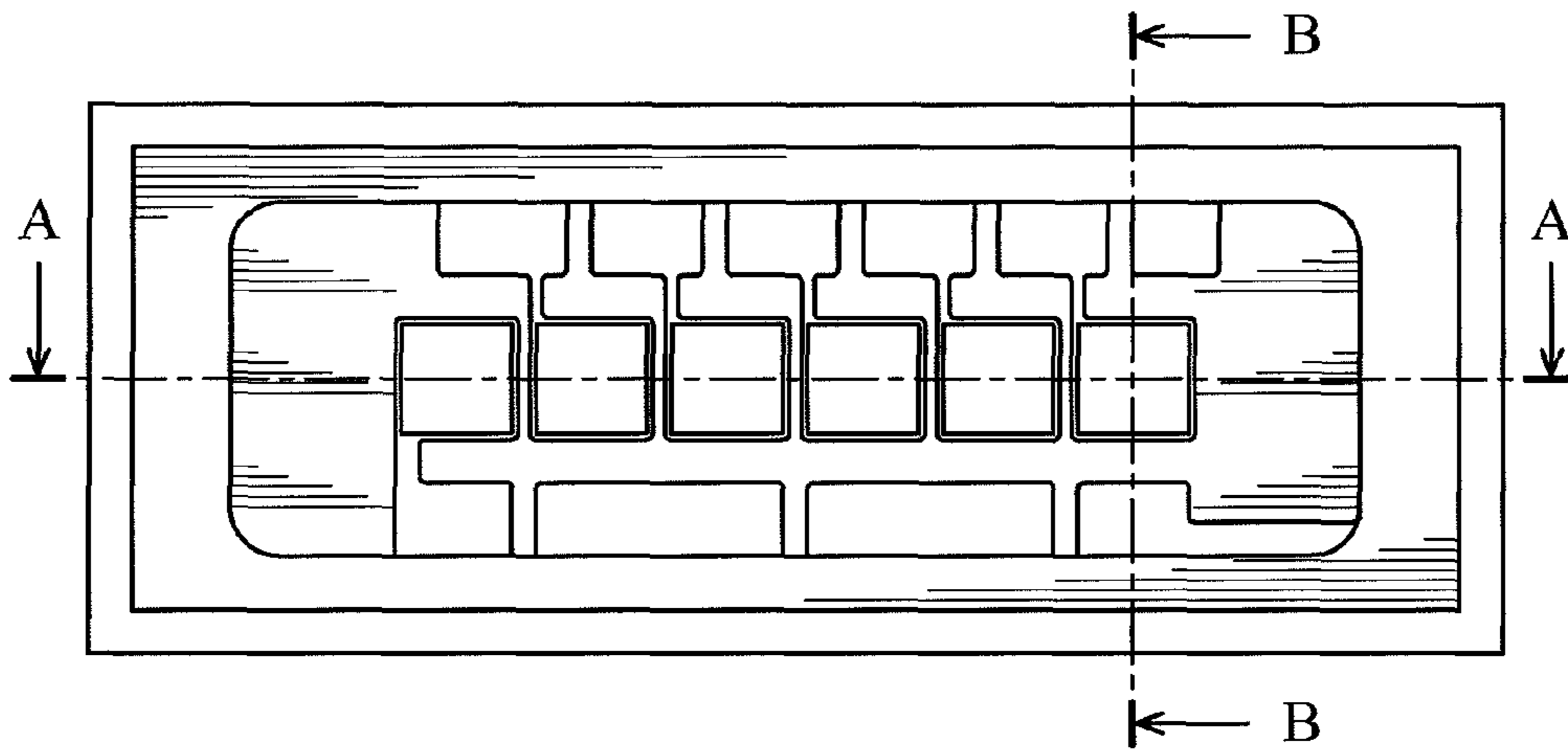


FIG. 2

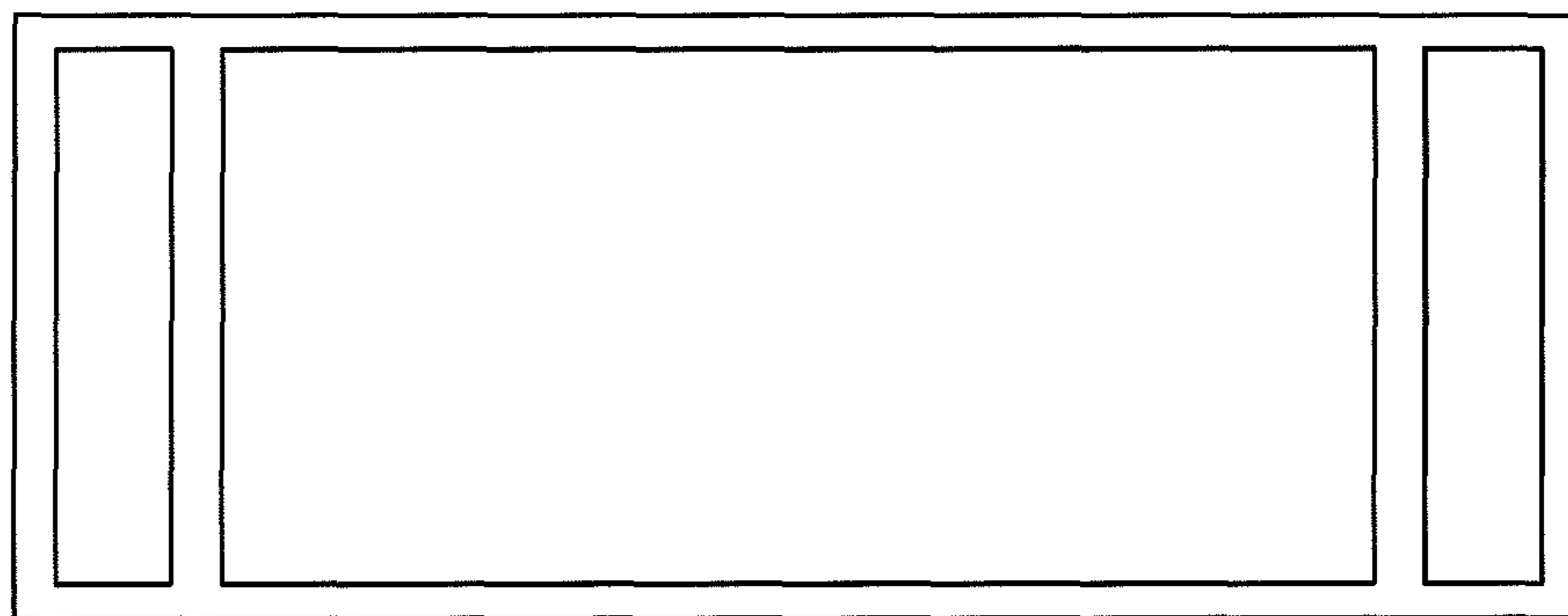


FIG. 3

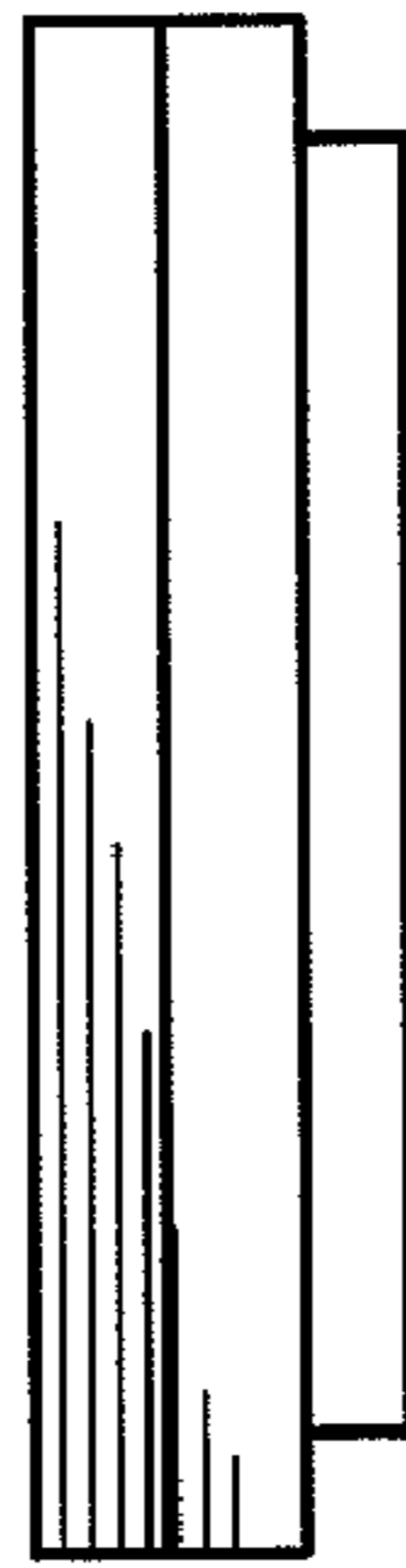


FIG. 4



FIG. 5

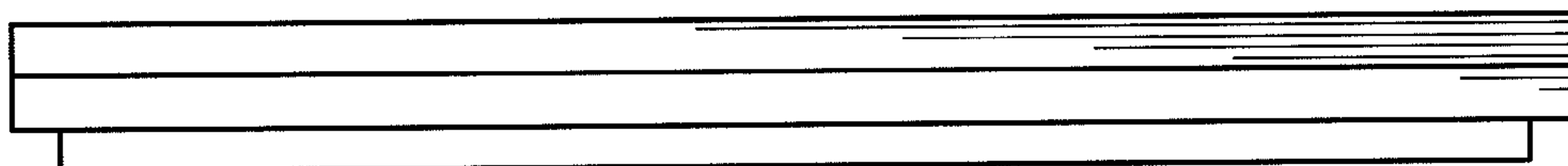


FIG. 6

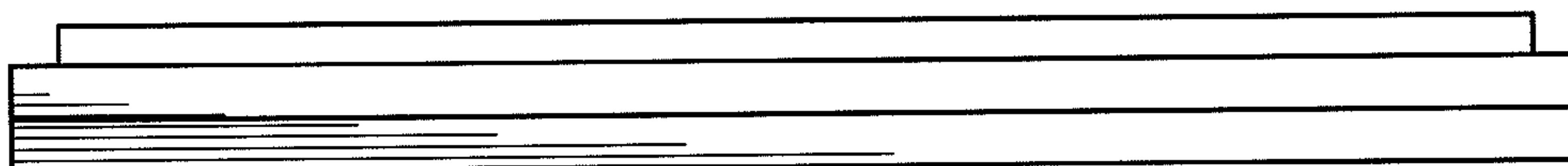


FIG. 7

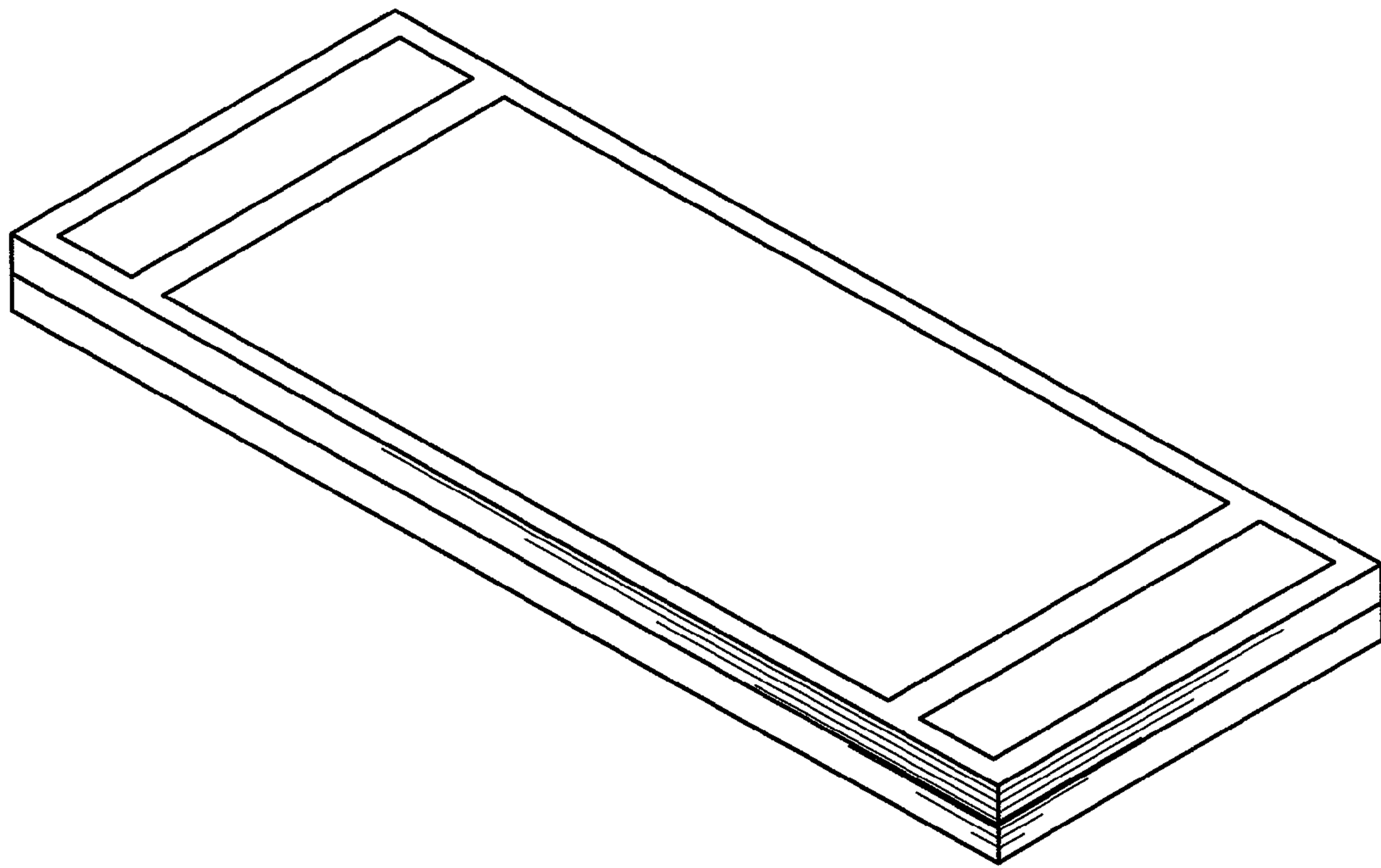


FIG. 8

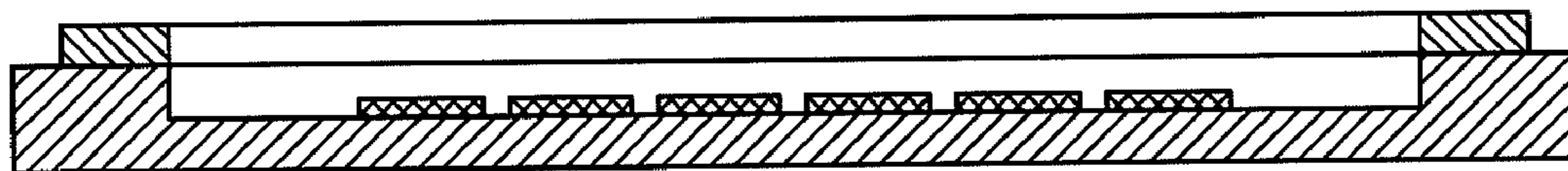


FIG. 9

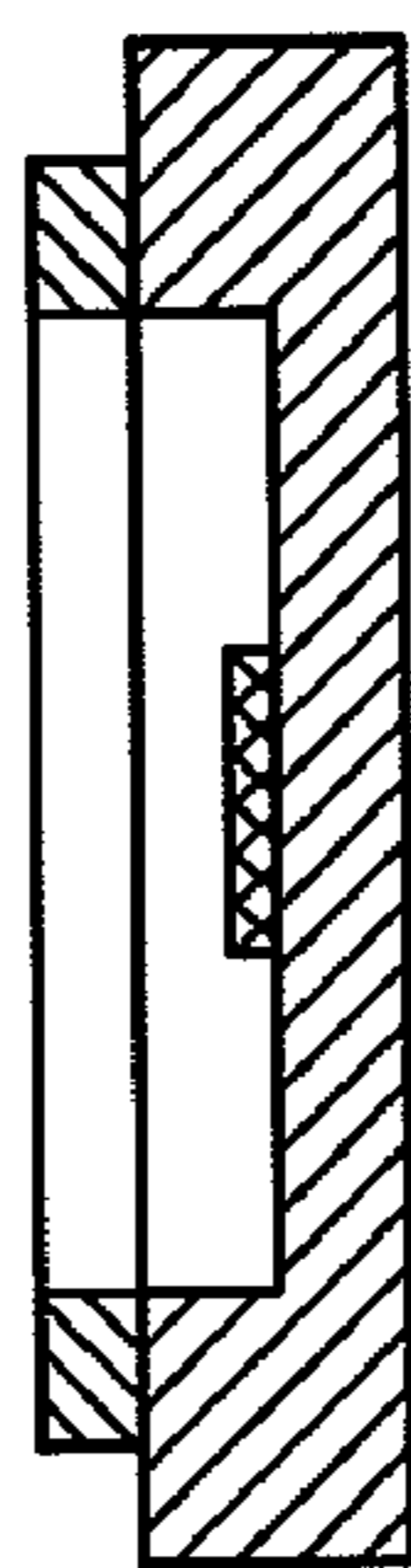


FIG. 10