



US00D636899S

(12) **United States Design Patent**
Shibahara

(10) **Patent No.:** **US D636,899 S**

(45) **Date of Patent:** **** Apr. 26, 2011**

(54) **LIGHT EMITTING DIODE MODULE**

FOREIGN PATENT DOCUMENTS

(75) Inventor: **Yusuke Shibahara**, Kanagawa (JP)

JP	D1389575	6/2010
JP	D1389585	6/2010
JP	D1389586	6/2010

(73) Assignee: **Toshiba Lighting & Technology Corporation**, Kanagawa (JP)

* cited by examiner

(**) Term: **14 Years**

Primary Examiner — Marcus A Jackson

(21) Appl. No.: **29/366,139**

(74) *Attorney, Agent, or Firm* — J.C. Patents

(22) Filed: **Jul. 20, 2010**

(57) **CLAIM**

The ornamental design for a light emitting diode module, as shown and described.

(30) **Foreign Application Priority Data**

Jan. 28, 2010 (JP) 2010-001951

DESCRIPTION

(51) **LOC (9) Cl.** **26-04**

(52) **U.S. Cl.** **D26/1; D13/180**

(58) **Field of Classification Search** D26/1-4;
313/313, 315, 316, 317, 318, 493; D13/180-182;
362/555, 800

See application file for complete search history.

FIG. 1 is a perspective view of a light emitting diode module showing my new design.

FIG. 2 is a front view thereof.

FIG. 3 is a rear view thereof.

FIG. 4 is a right side view thereof, the left side view being a mirror image of the right side view.

FIG. 5 is a top view thereof, the bottom view being a mirror image of the top view; and,

FIG. 6 is a cross-sectional view taken along line 6—6 in FIG. 2 with the internal parts omitted.

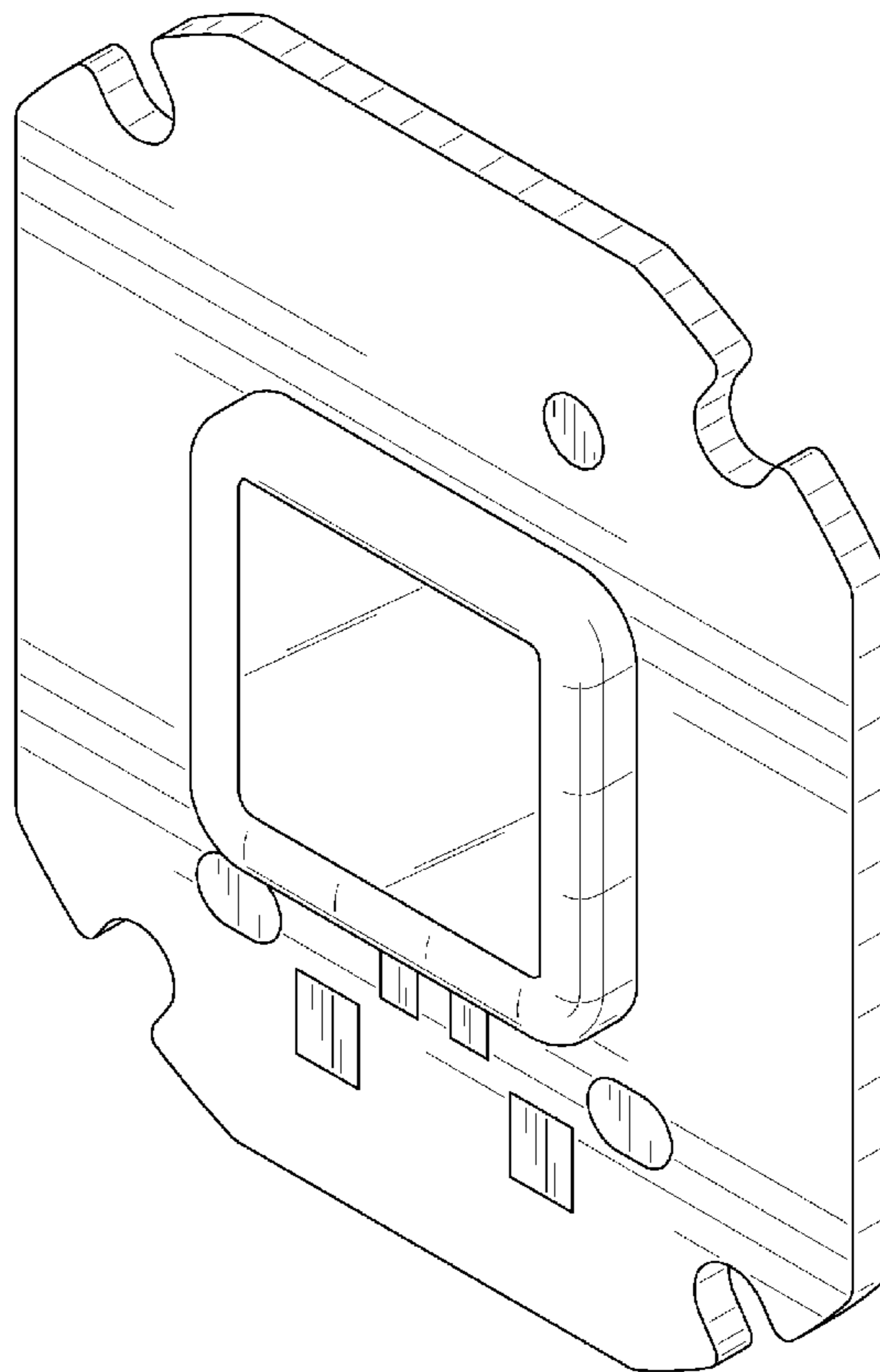
The portion shown in double cross-hatched lines in FIG. 6 is pervious to light.

(56) **References Cited**

U.S. PATENT DOCUMENTS

D528,996 S *	9/2006	Egawa	D13/180
D573,553 S *	7/2008	Uemoto et al.	D13/180
D577,690 S *	9/2008	Shida et al.	D13/180
D598,401 S *	8/2009	Takada et al.	D13/182
D622,876 S *	8/2010	Takahashi et al.	D26/1

1 Claim, 6 Drawing Sheets



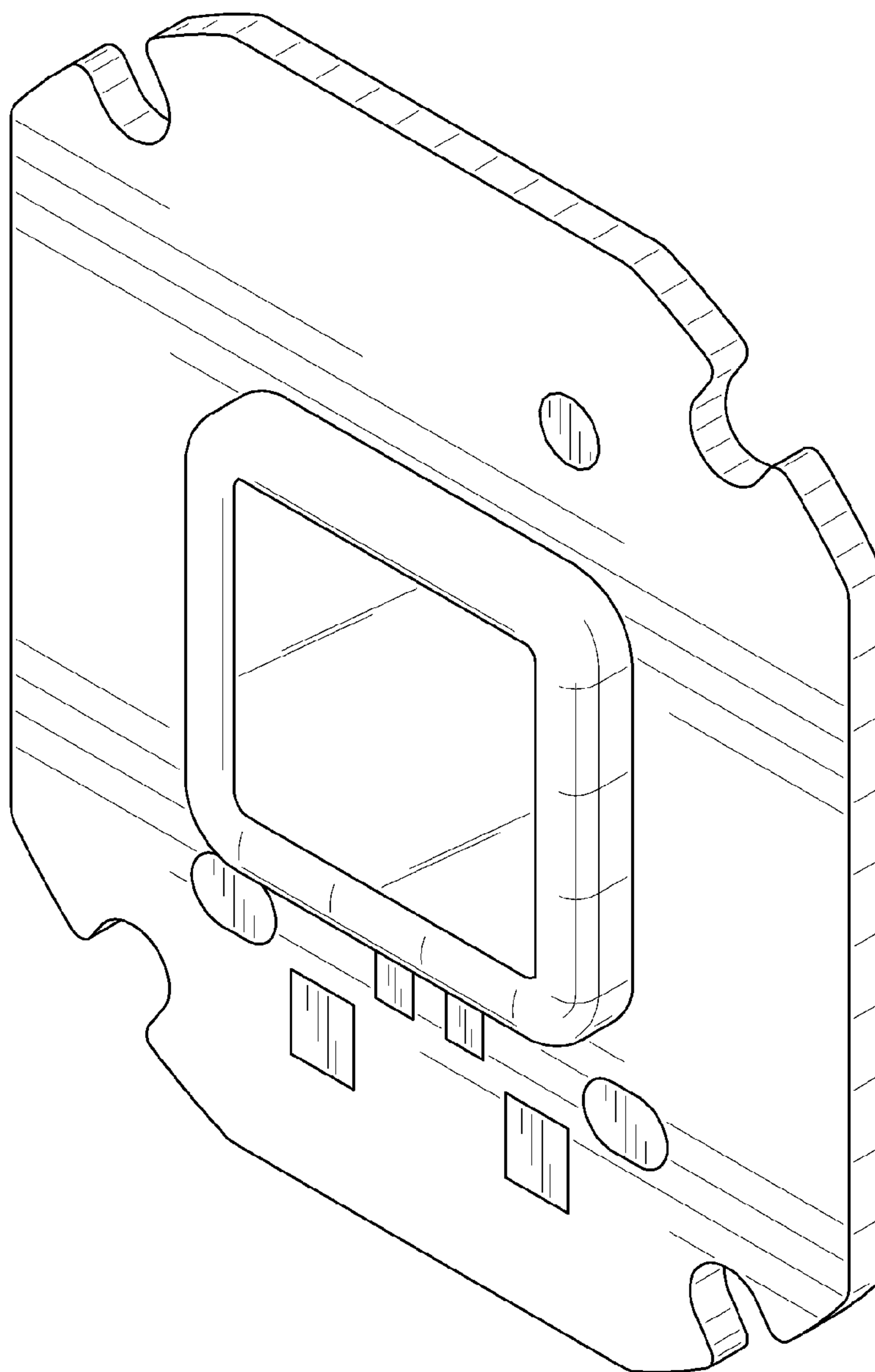


FIG. 1

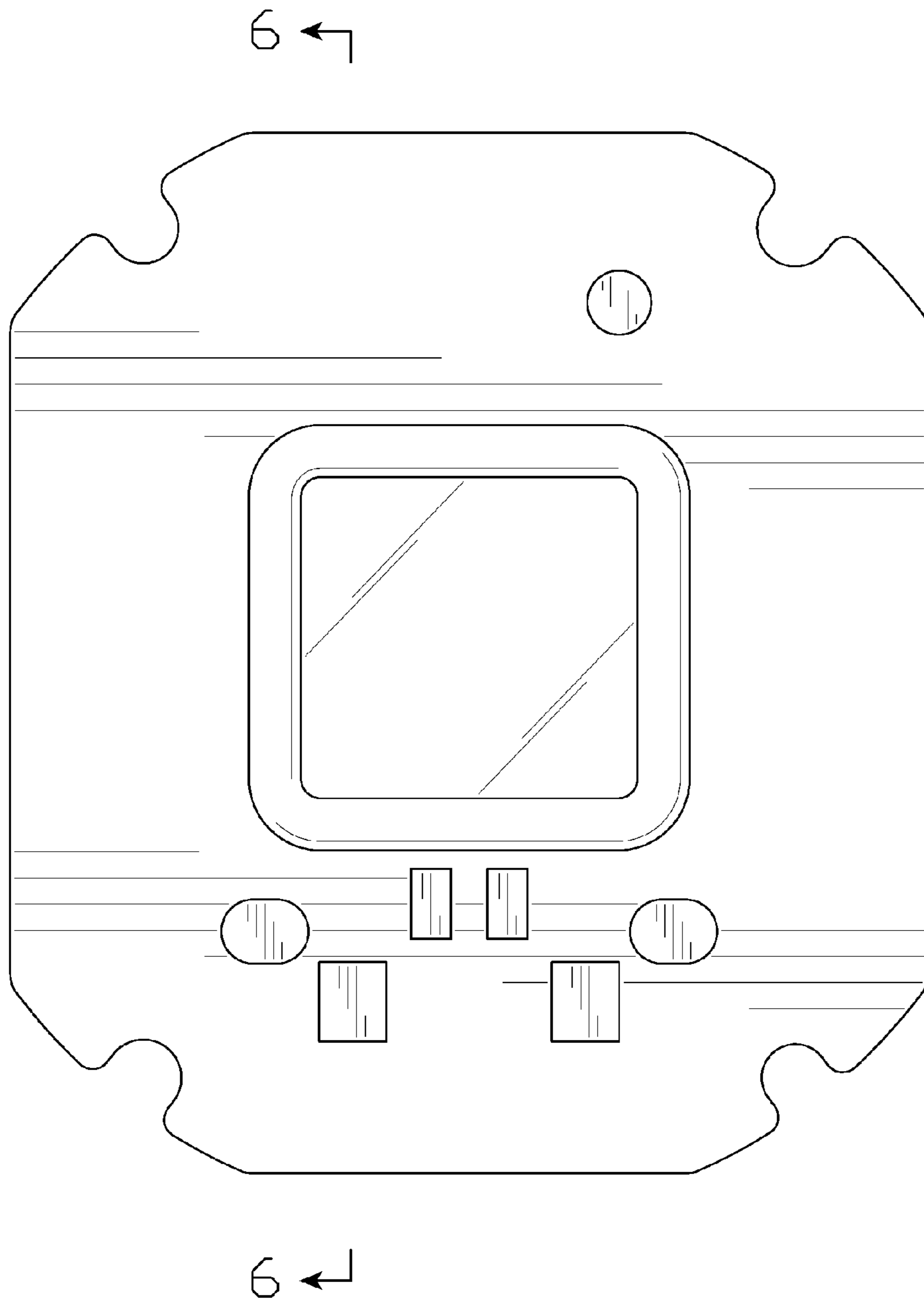


FIG. 2

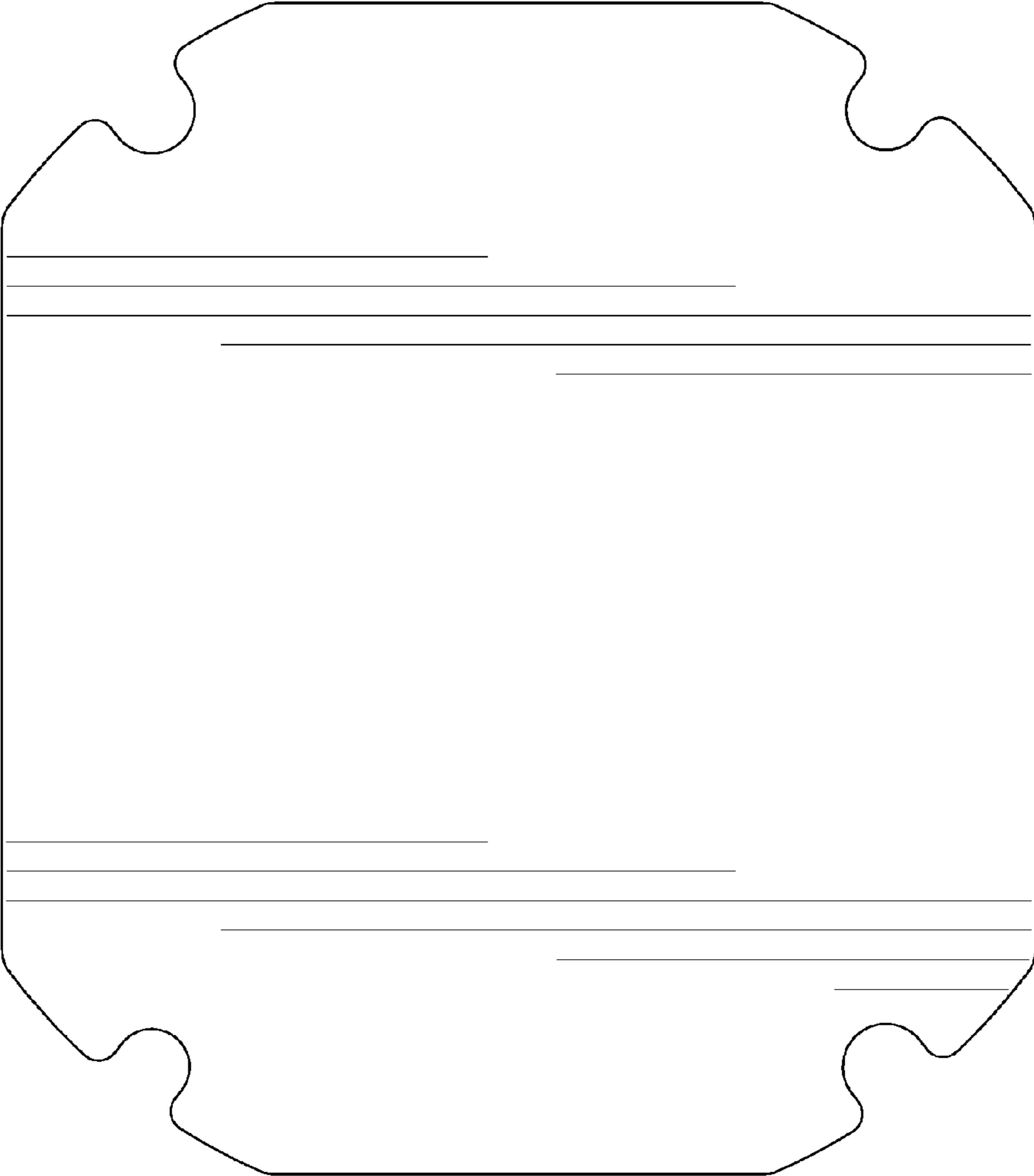


FIG. 3

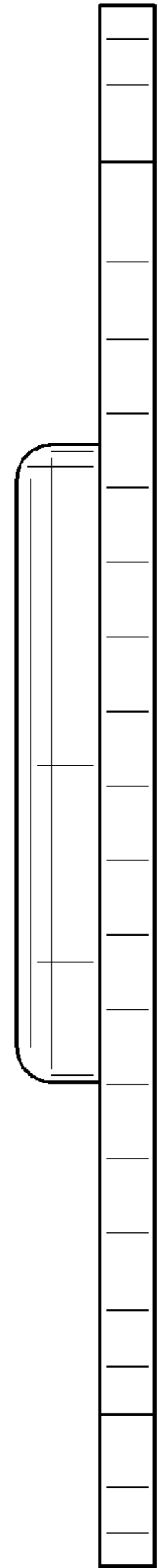


FIG. 4



FIG. 5

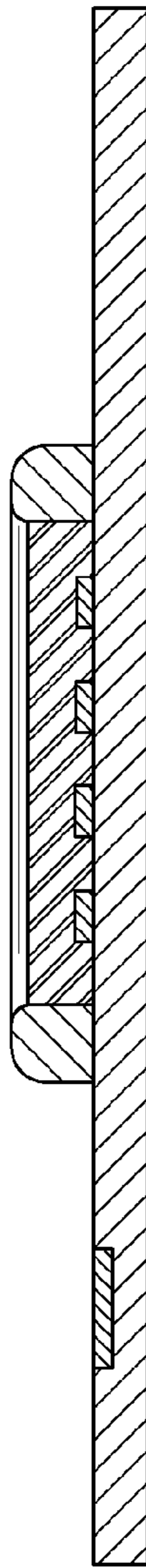


FIG. 6