



US00D636898S

(12) **United States Design Patent**
Harder

(10) **Patent No.:** **US D636,898 S**

(45) **Date of Patent:** **** *Apr. 26, 2011**

(54) **DECK POST**

(56)

References Cited

(76) Inventor: **Willard J. Harder**, Farmington, MN
(US)

U.S. PATENT DOCUMENTS

(*) Notice: This patent is subject to a terminal disclaimer.

5,862,642	A	1/1999	Erwin	
6,061,991	A	5/2000	Dahl	
D459,819	S *	7/2002	Erwin	D25/126
6,467,756	B1	10/2002	Elsasser	
D497,211	S	10/2004	Strassle	
D583,081	S	12/2008	Ryan	
2003/0085395	A1 *	5/2003	Gardner	256/65.02
2003/0101679	A1 *	6/2003	Erwin	52/736.3

(**) Term: **14 Years**

* cited by examiner

(21) Appl. No.: **29/349,902**

Primary Examiner — Doris Clark

(22) Filed: **May 17, 2010**

(74) *Attorney, Agent, or Firm* — Richard John Bartz

Related U.S. Application Data

(57)

CLAIM

(62) Division of application No. 29/314,407, filed on Mar. 30, 2009, now Pat. No. Des. 616,114.

(51) **LOC (9) Cl.** **25-01**

(52) **U.S. Cl.** **D25/126**

(58) **Field of Classification Search** D25/126,
D25/122, 123; 256/65.01, 65.02, 65.14;
52/832, 843, 851; 405/201, 202, 208

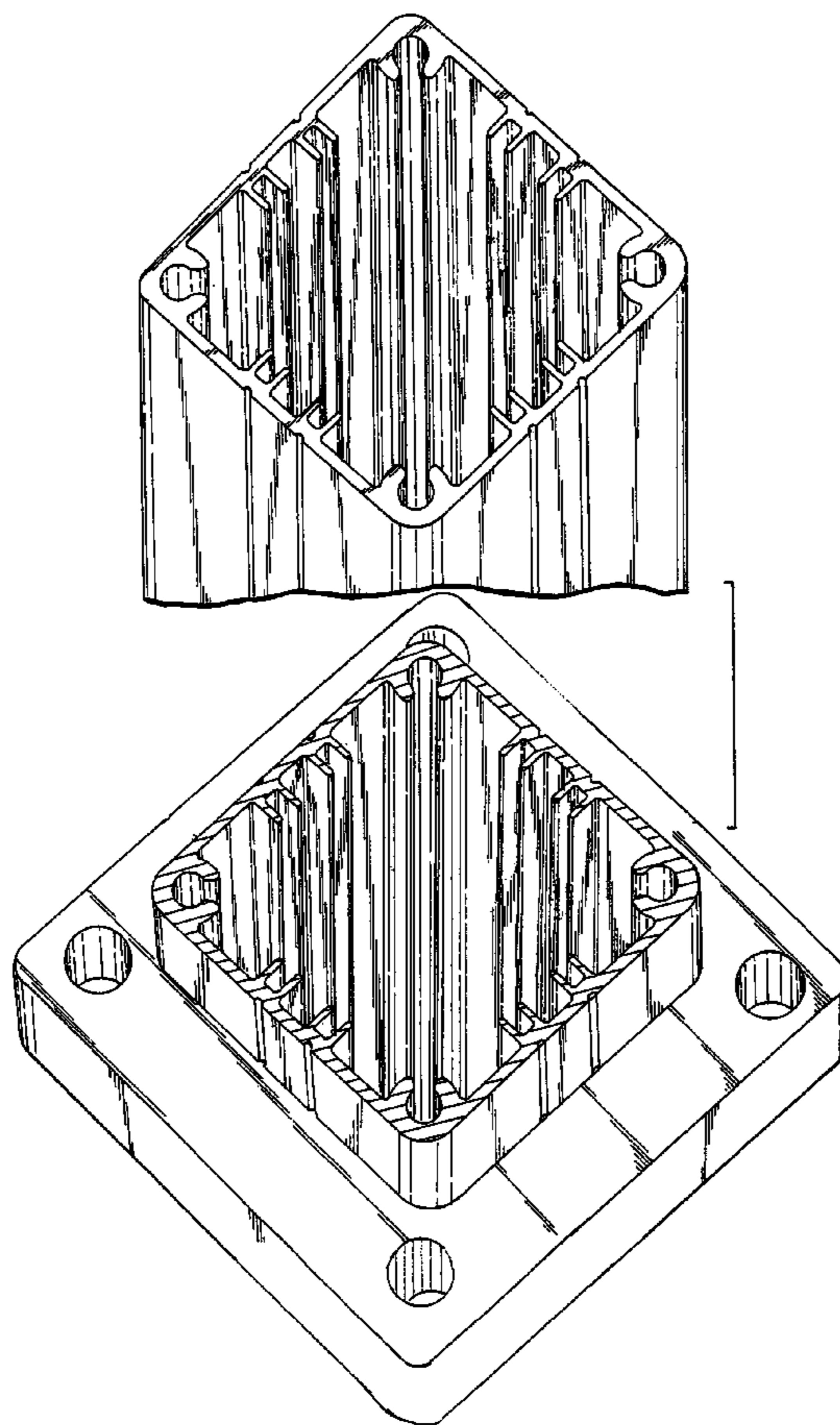
I claim the ornamental design for a deck post, as shown and described.

DESCRIPTION

See application file for complete search history.

FIG. 1 is a foreshortened perspective view of the deck post of my design;
FIG. 2 is a foreshortened side elevational view thereof, the opposite side elevational view being a mirror image thereof;
FIG. 3 is a foreshortened front elevational view thereof, the rear elevational view being a mirror image thereof;
FIG. 4 is a top plan view thereof; and,
FIG. 5 is a bottom plan view thereof.

1 Claim, 5 Drawing Sheets



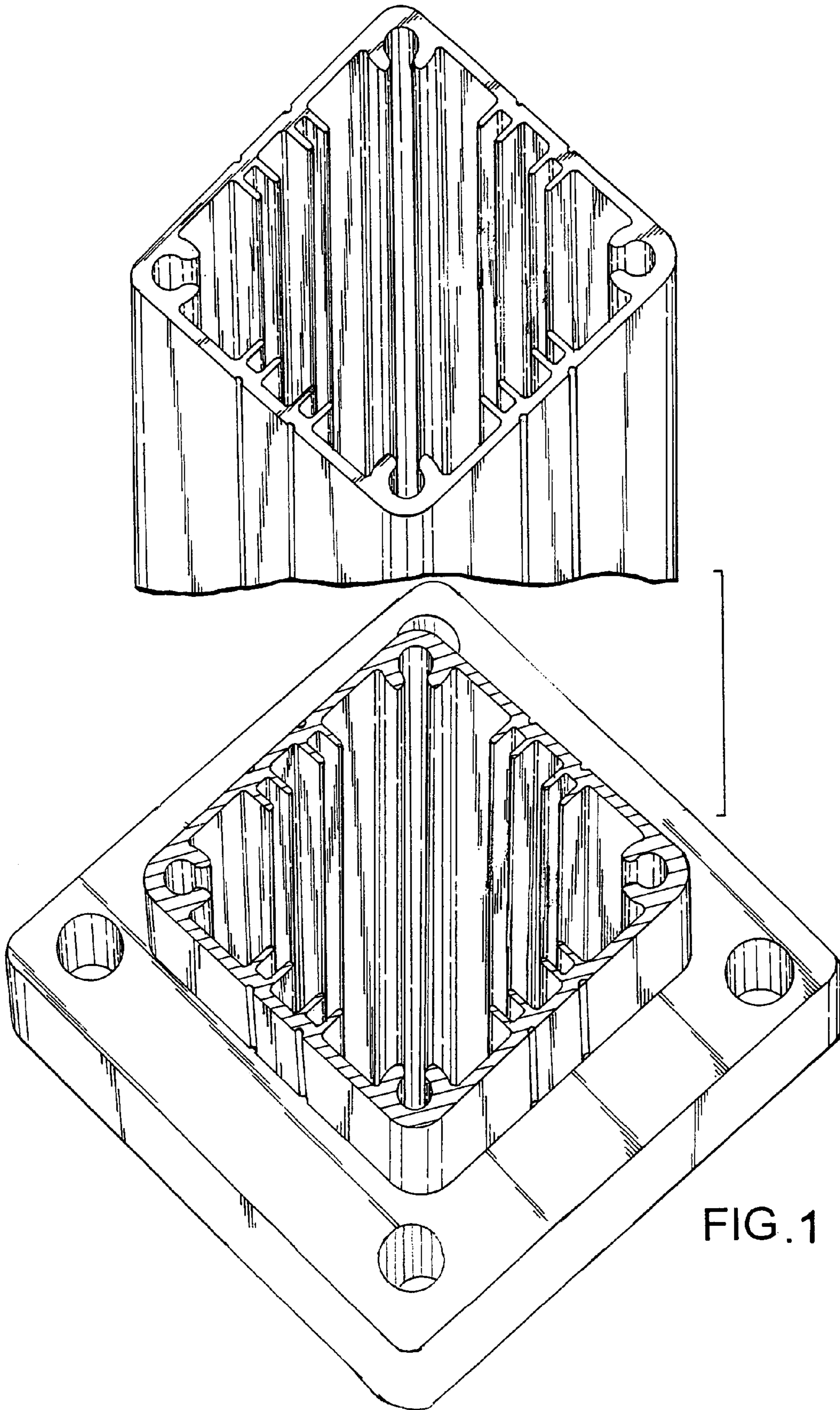


FIG. 1

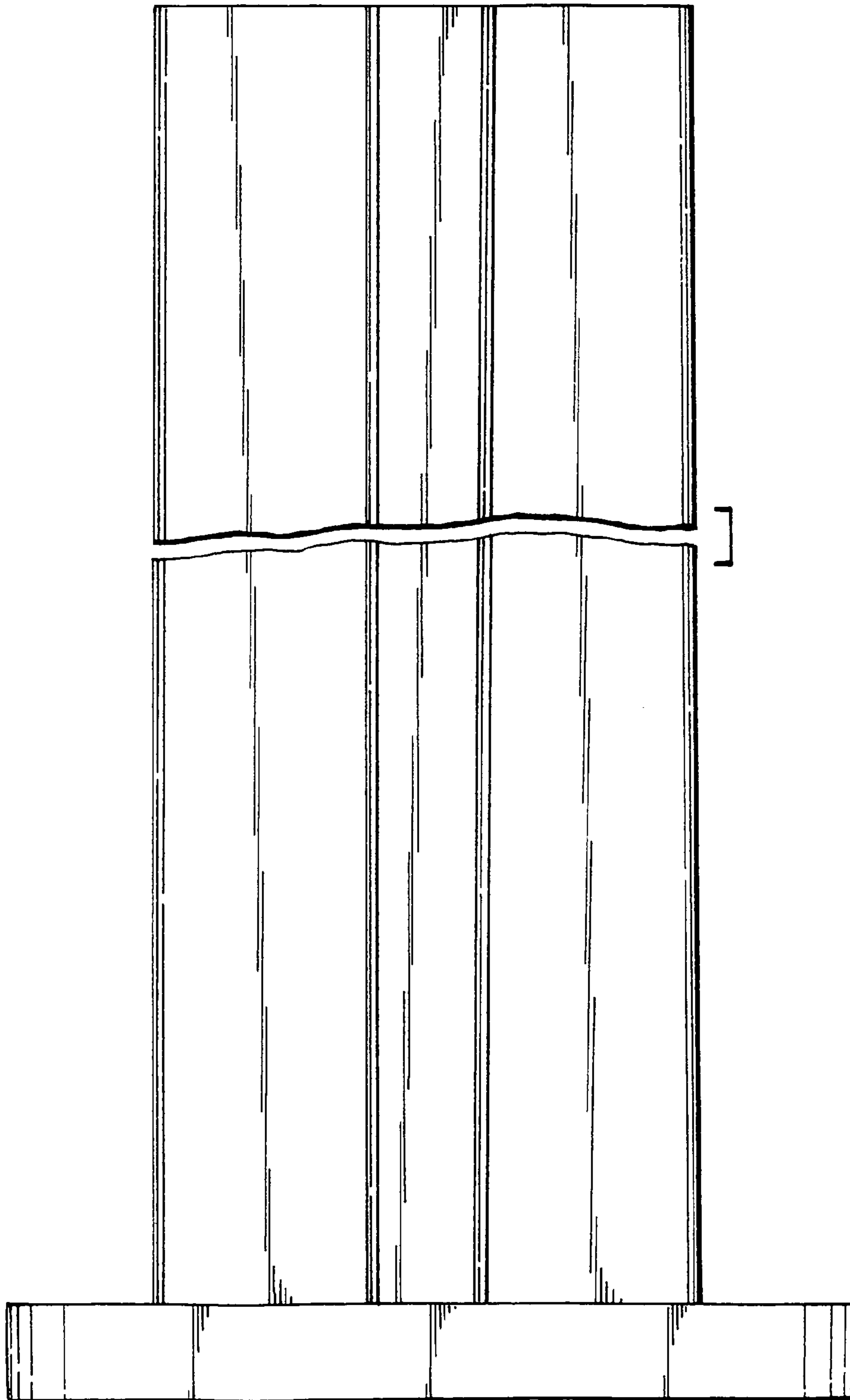


FIG. 2

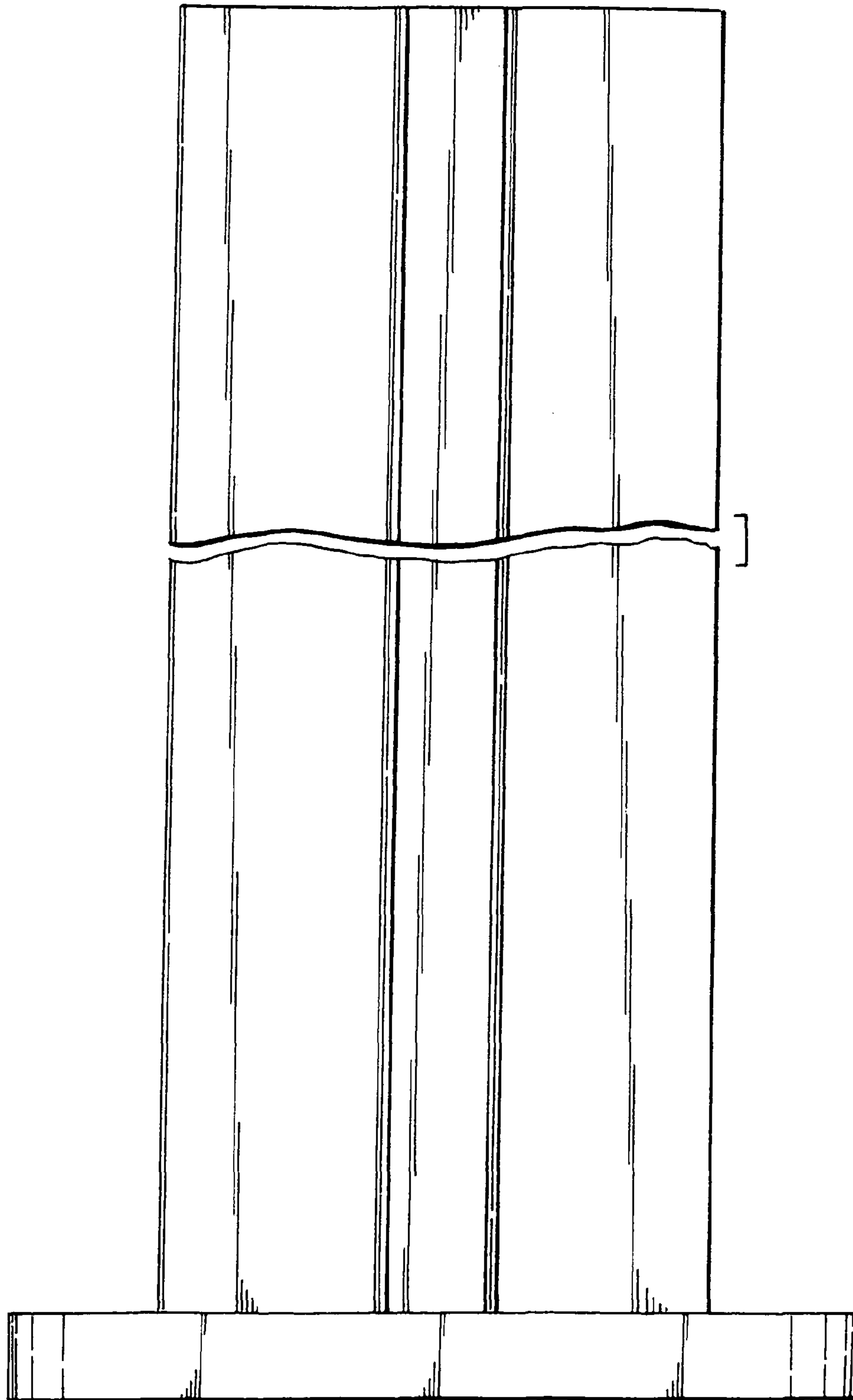


FIG. 3

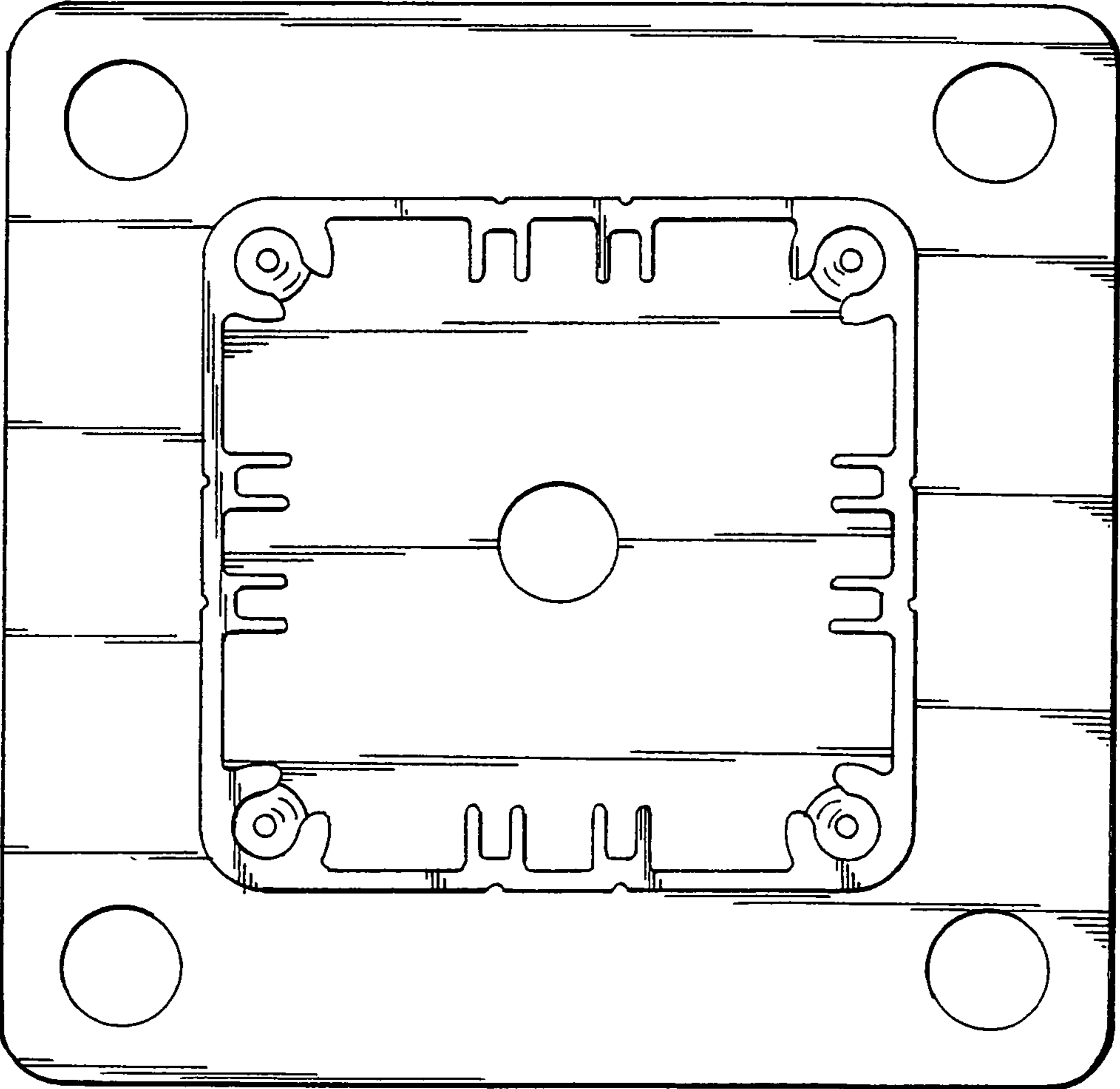


FIG. 4

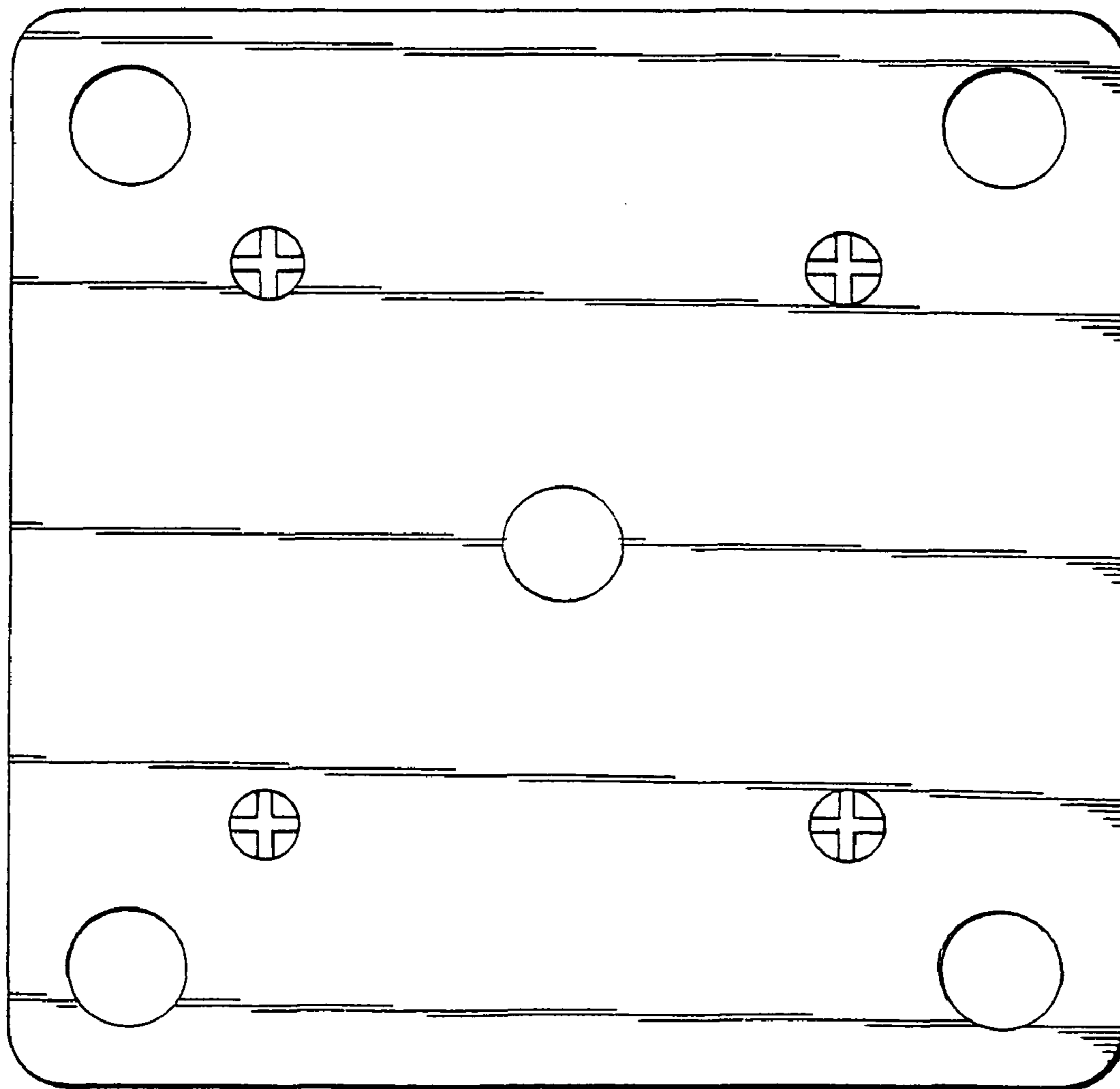


FIG. 5