



US00D636897S

(12) **United States Design Patent**  
**Bott**

(10) **Patent No.:** **US D636,897 S**  
(45) **Date of Patent:** **\*\* \*Apr. 26, 2011**

(54) **MULTI-COMPONENT RETAINING WALL BLOCK**

(75) Inventor: **Timothy A. Bott**, Sunfish Lake, MN (US)

(73) Assignee: **Allan Block, LLC**, Edina, MN (US)

(\*) Notice: This patent is subject to a terminal disclaimer.

(\*\*) Term: **14 Years**

(21) Appl. No.: **29/356,015**

(22) Filed: **Feb. 18, 2010**

**Related U.S. Application Data**

(62) Division of application No. 29/342,671, filed on Aug. 28, 2009.

(51) **LOC (9) Cl.** ..... **25-01**

(52) **U.S. Cl.** ..... **D25/113**

(58) **Field of Classification Search** ..... D25/102, D25/112-118; D21/484-486; 52/503-505, 52/574, 575, 596, 600-605; 405/284, 286; 404/29, 30, 34, 37, 41, 42

See application file for complete search history.

(56) **References Cited**

**U.S. PATENT DOCUMENTS**

3,464,211	A	9/1969	Andresen	
3,877,236	A *	4/1975	O'Neill et al.	D25/113
D251,305	S *	3/1979	Ceglia	D25/118
4,372,091	A *	2/1983	Brown et al.	D25/115
4,597,236	A *	7/1986	Braxton	
D300,863	S *	4/1989	McNeely	D25/113

(Continued)

**FOREIGN PATENT DOCUMENTS**

EP 0112213 B1 4/1987

(Continued)

**OTHER PUBLICATIONS**

Website for Poligono-Mauersystem: <http://www.ehl.de/productti.php?ProductId=529&MainPNId=6&SekPNId=47&PHPSESSID=a5d...> Jul. 30, 2009.

*Primary Examiner* — T. Chase Nelson

*Assistant Examiner* — Anhdao Doan

(74) *Attorney, Agent, or Firm* — Fredrikson & Byron, P.A.

(57) **CLAIM**

The ornamental design for a multi-component retaining wall block, as shown and described.

**DESCRIPTION**

FIG. 1 is a front perspective view of the multi-component retaining wall block of my design shown assembled and stacked on a second assembled multi-component retaining wall block;

FIG. 2 is a right-side elevation view thereof, the left-side elevation view being a mirror image thereof;

FIG. 3 is a top plan view thereof;

FIG. 4 is a bottom plan view thereof;

FIG. 5 is a front elevation view thereof;

FIG. 6 is a rear elevation view thereof;

FIG. 7 is a front perspective view of an alternate embodiment the multi-component retaining wall block of my design shown assembled and stacked on a second assembled multi-component retaining wall block;

FIG. 8 is a right-side elevation view thereof, the left-side elevation view being a mirror image thereof;

FIG. 9 is a top plan view thereof;

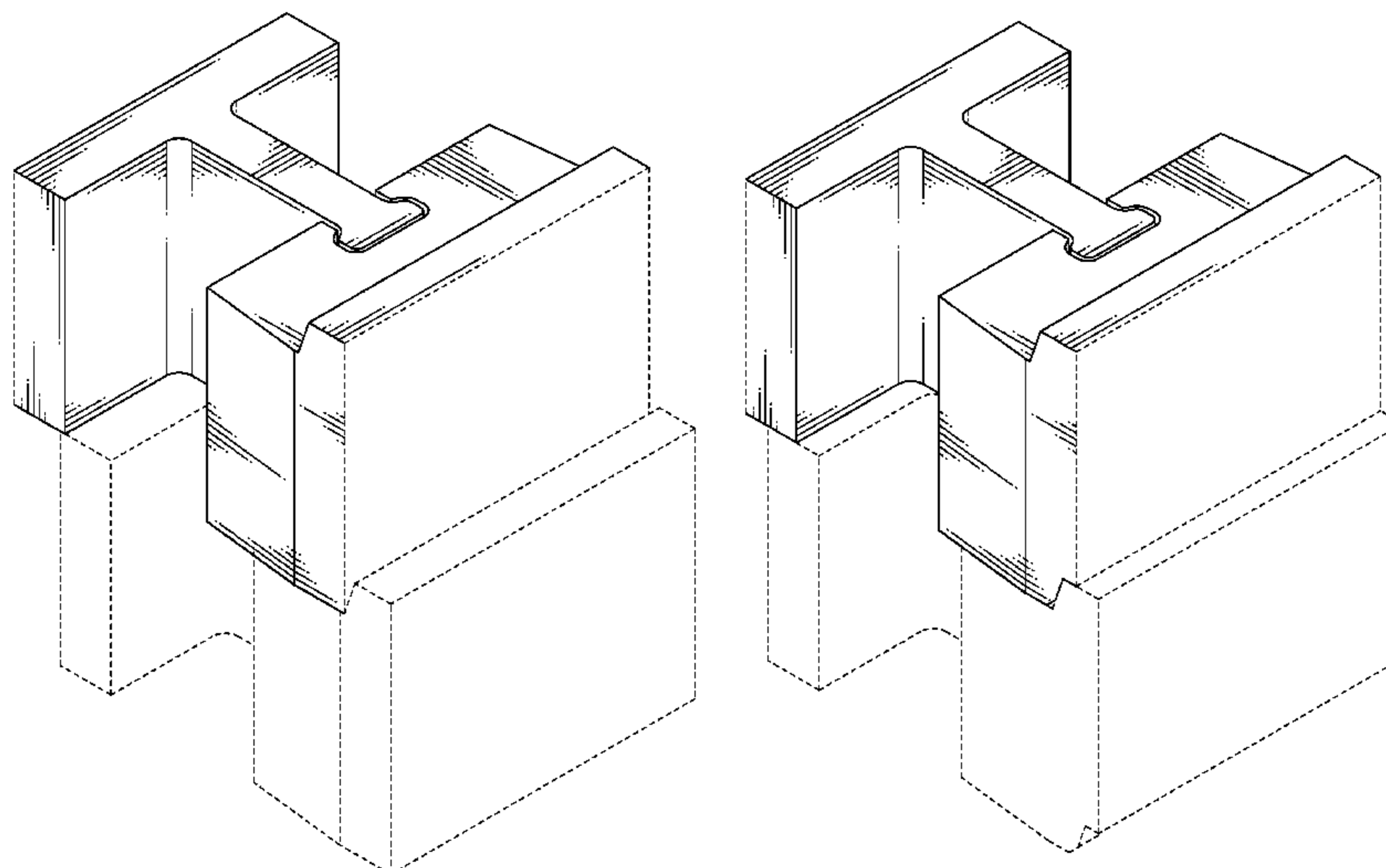
FIG. 10 is a bottom plan view thereof;

FIG. 11 is a front elevation view thereof; and,

FIG. 12 is a rear elevation view thereof.

The broken line showing of another multi-component retaining wall block in FIGS. 1 and 7 represents environment structure, and all other broken lines in the views are included for the purpose of illustrating portions of the multi-component retaining wall block that form no part of the claimed design. None of the broken lines form a part of the claimed design.

**1 Claim, 8 Drawing Sheets**



# US D636,897 S

Page 2

## U.S. PATENT DOCUMENTS

4,896,999 A 1/1990 Ruckstuhl  
4,909,010 A 3/1990 Gravier  
5,315,802 A 5/1994 Hart  
5,337,527 A 8/1994 Wagenaar  
5,350,256 A 9/1994 Hammer  
5,484,236 A 1/1996 Gravier  
5,623,797 A 4/1997 Gravier et al.  
5,688,078 A 11/1997 Hammer  
5,788,423 A 8/1998 Perkins  
5,820,304 A 10/1998 Sorheim et al.  
5,878,545 A 3/1999 Gebhart  
D411,315 S \* 6/1999 Bott ..... D25/113  
6,062,772 A 5/2000 Perkins  
6,226,951 B1 \* 5/2001 Azar ..... 52/604  
6,250,850 B1 6/2001 Price et al.

D459,487 S \* 6/2002 Bott ..... D25/118  
D475,143 S 5/2003 Hammer  
D526,067 S \* 8/2006 Rainey ..... D25/114  
D530,832 S \* 10/2006 Rainey ..... D25/114  
D539,438 S \* 3/2007 Price ..... D25/113  
D548,365 S \* 8/2007 Price ..... D25/113  
7,410,328 B2 8/2008 Hamel  
2004/0134154 A1 7/2004 Bott  
2004/0161307 A1 8/2004 Hammer  
2007/0196184 A1 8/2007 Hammer et al.  
2009/0000234 A1 \* 1/2009 Bott et al. .... 52/604

## FOREIGN PATENT DOCUMENTS

EP 1862597 B1 12/2009  
WO 2008157828 A2 12/2008

\* cited by examiner

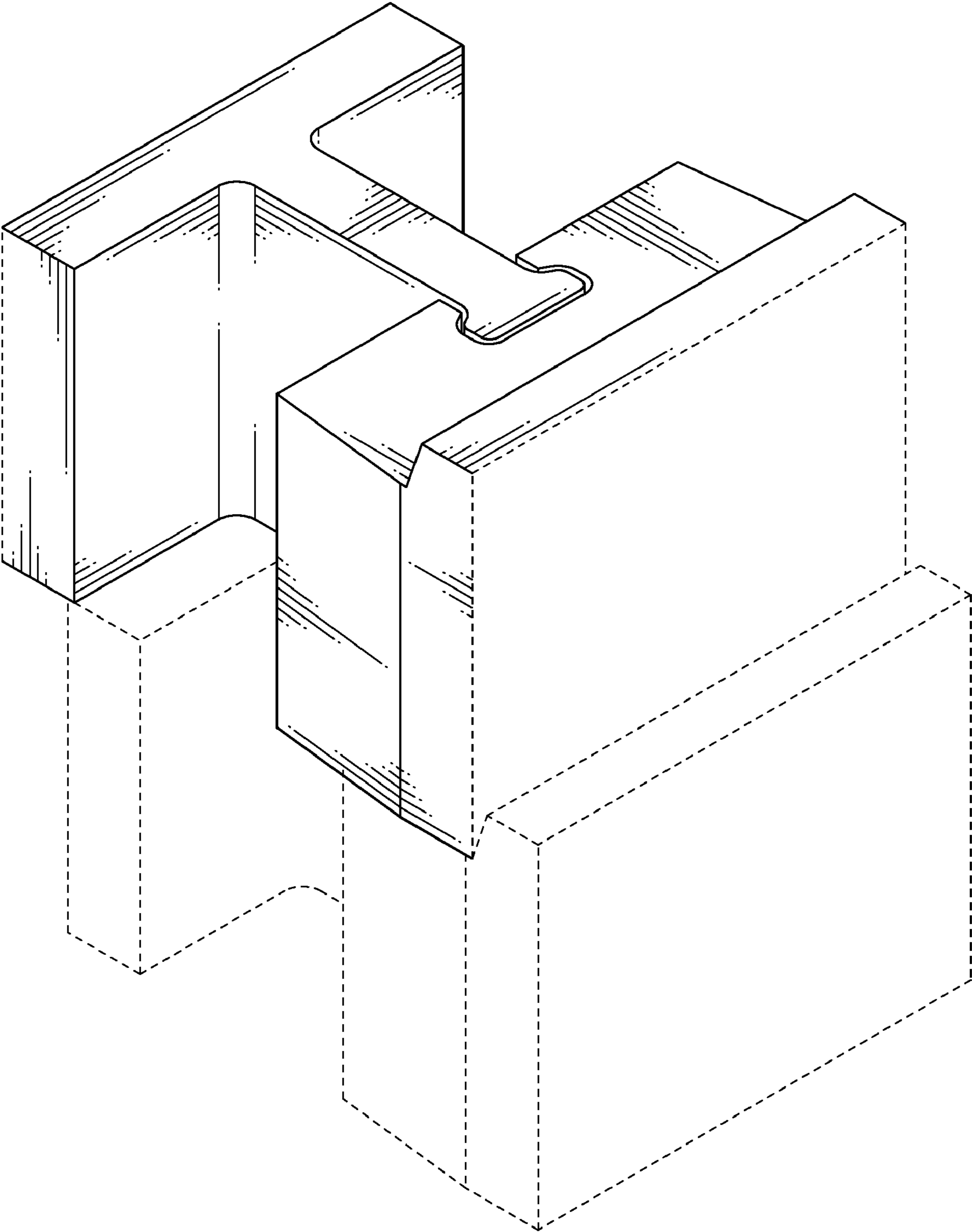
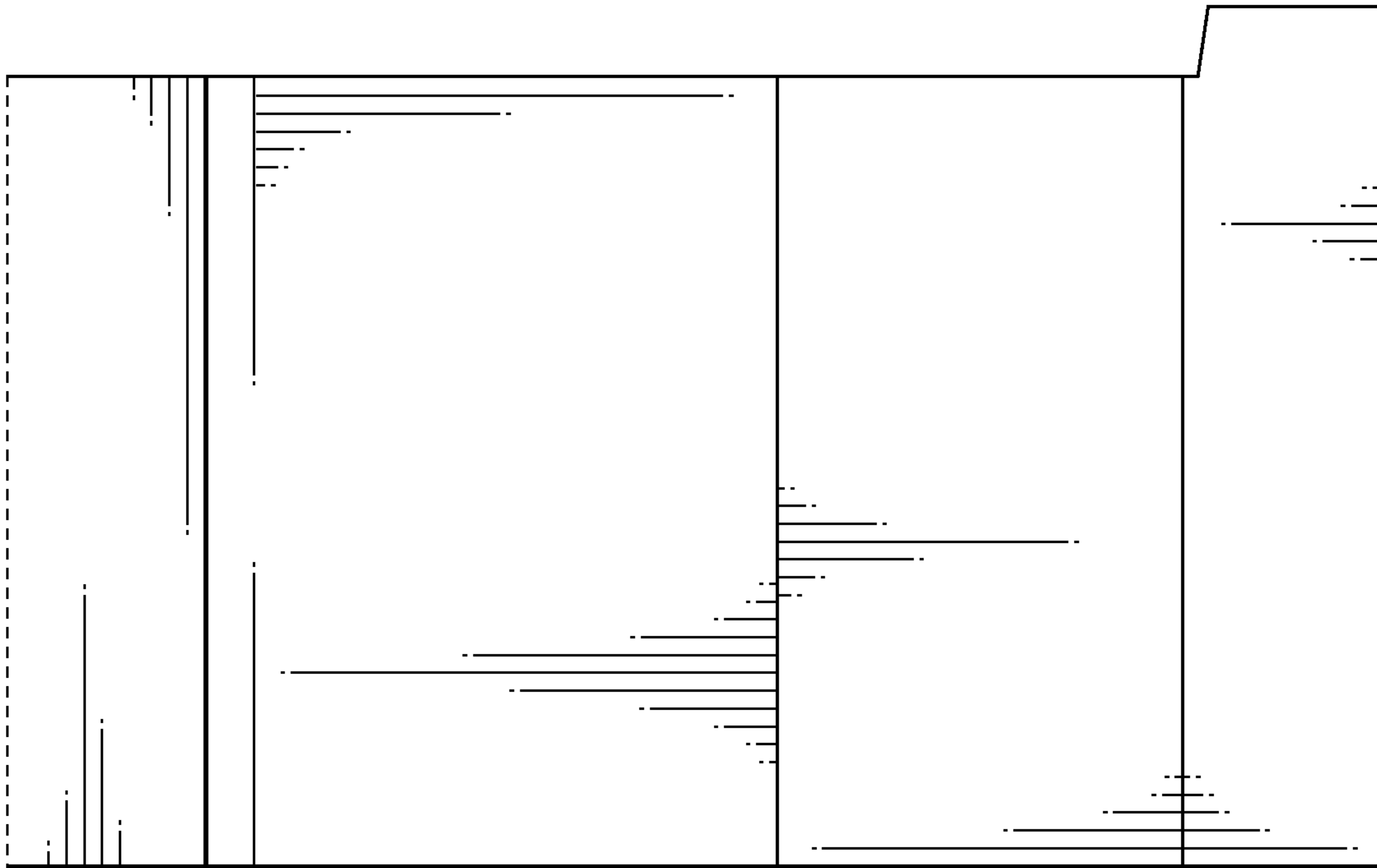
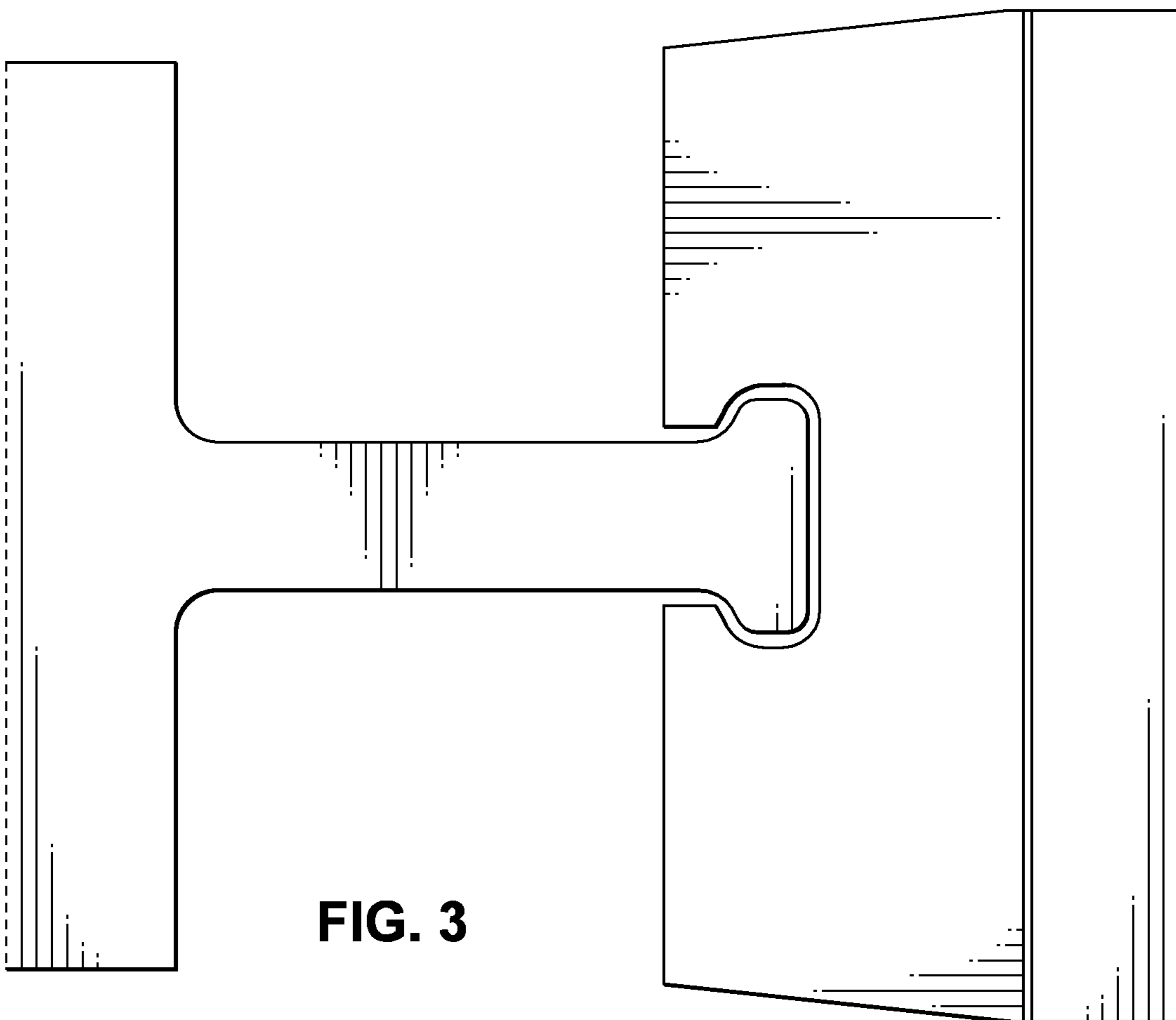


FIG. 1



**FIG. 2**



**FIG. 3**

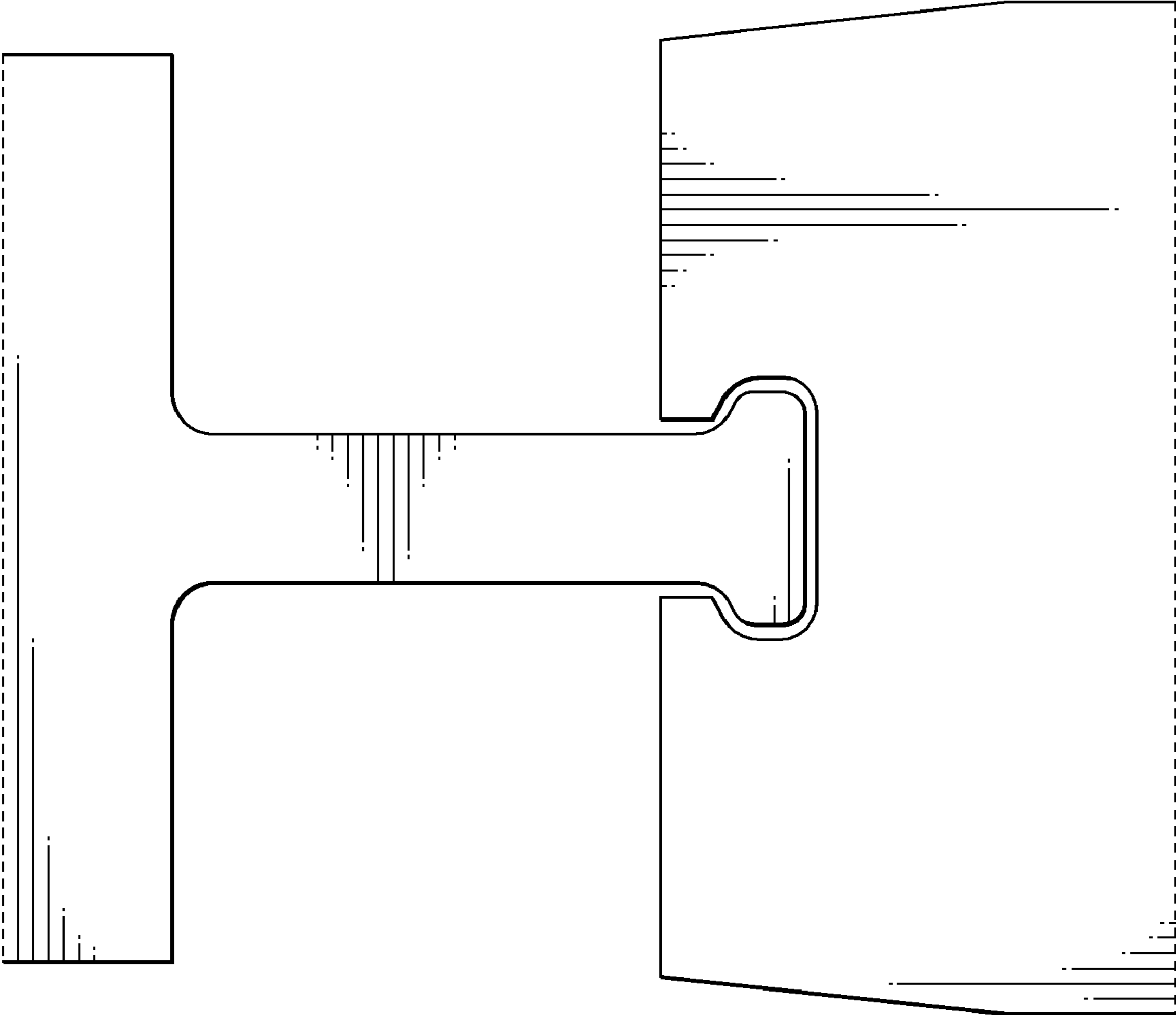


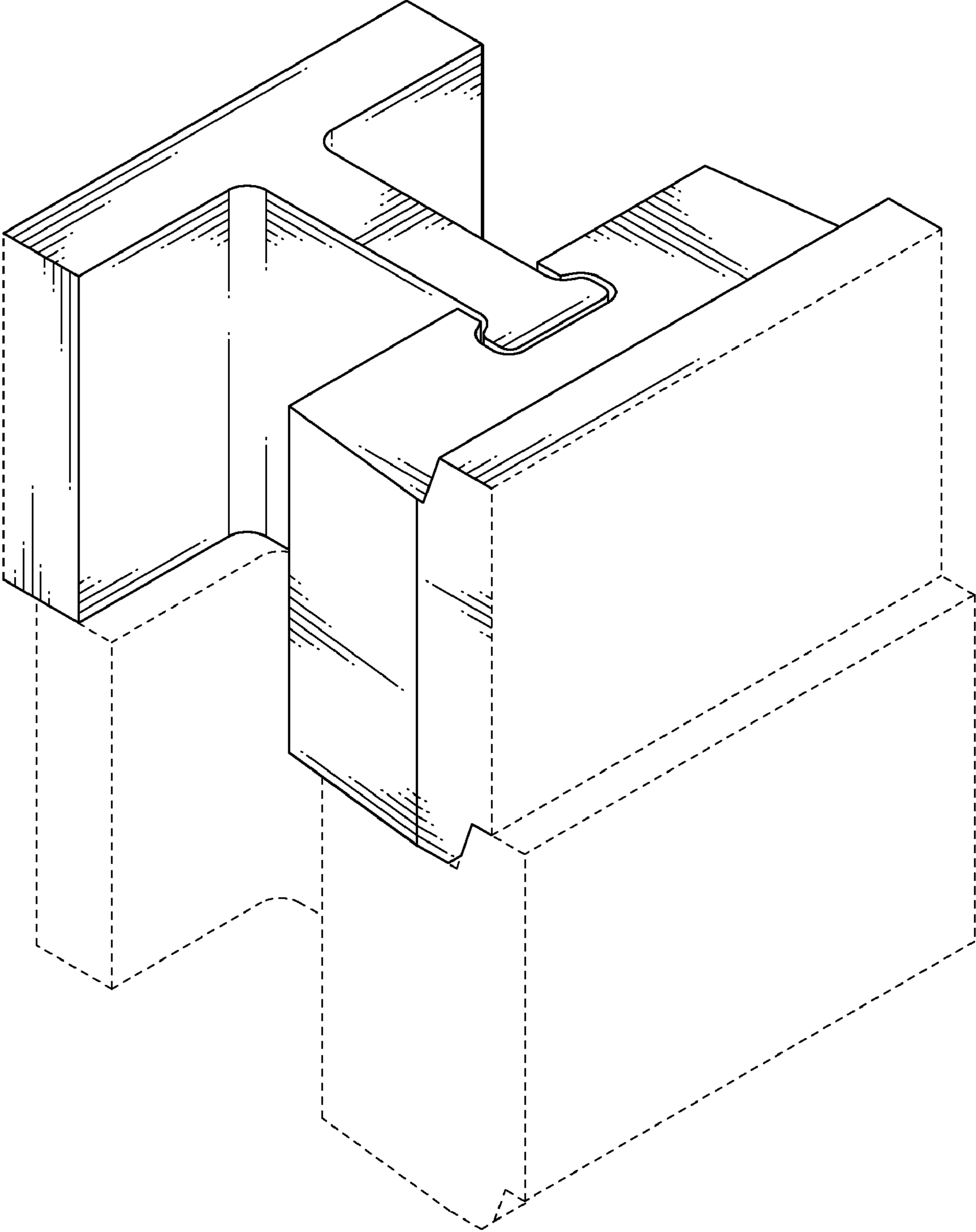
FIG. 4



**FIG. 5**



**FIG. 6**



**FIG. 7**

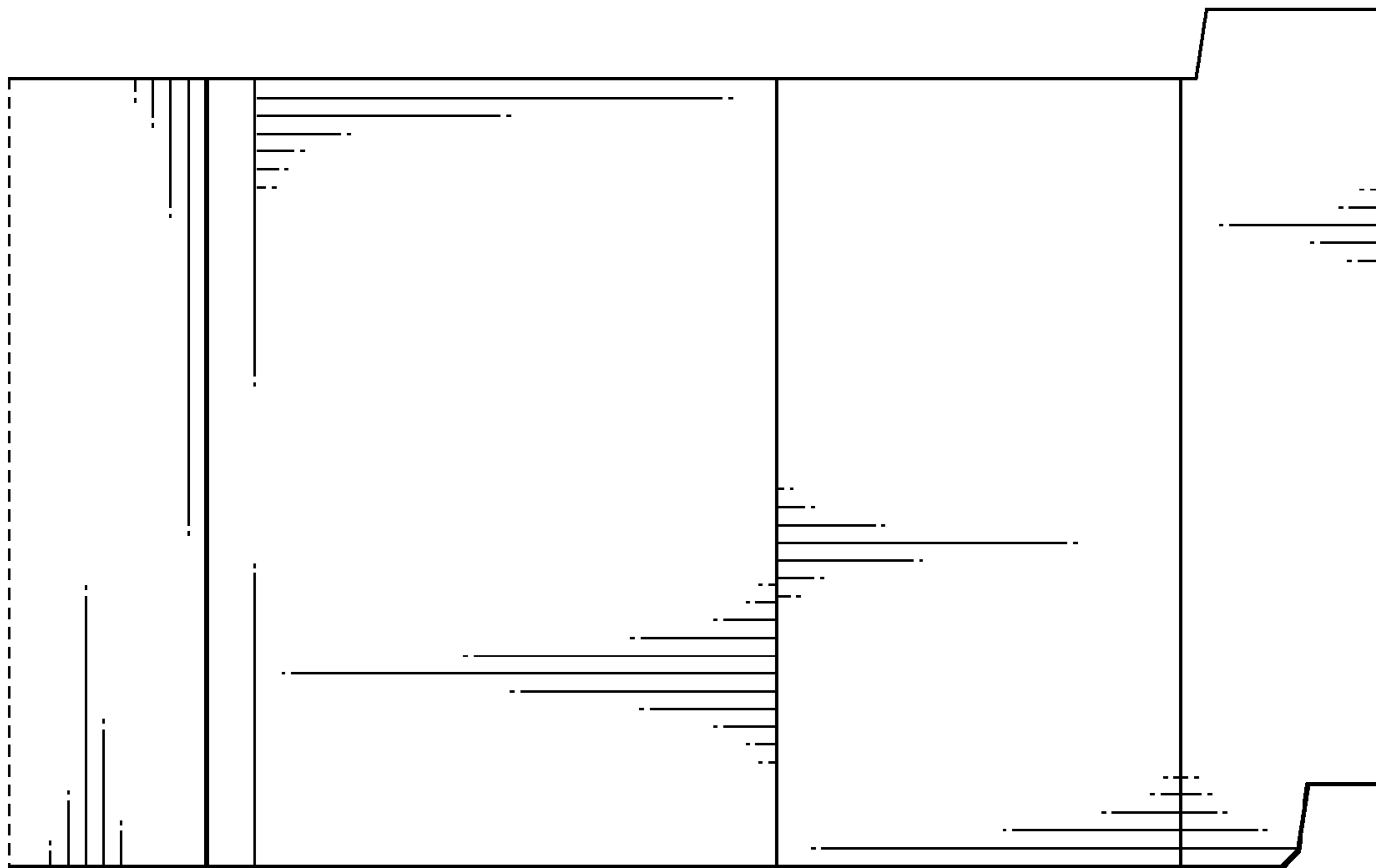


FIG. 8

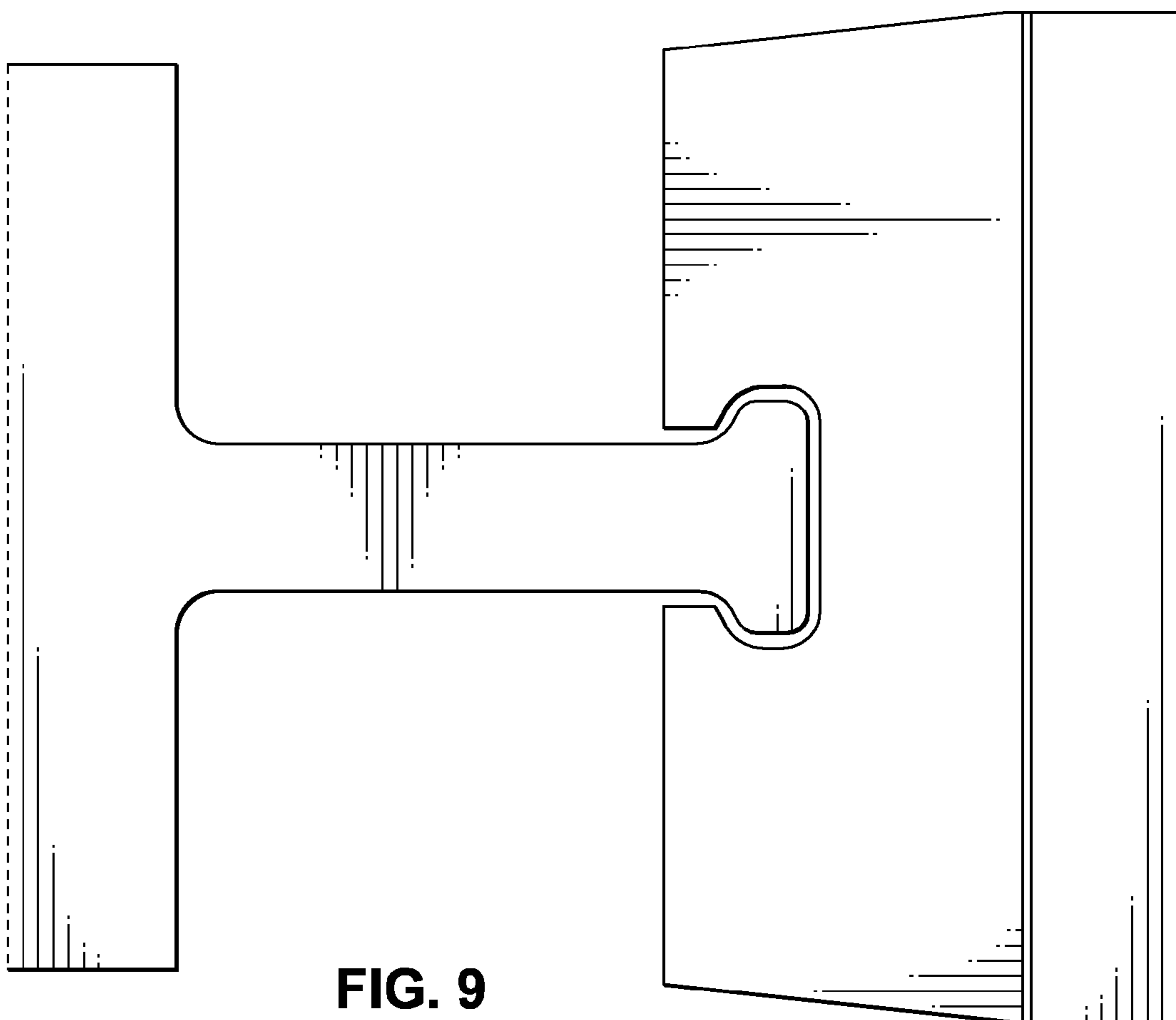


FIG. 9



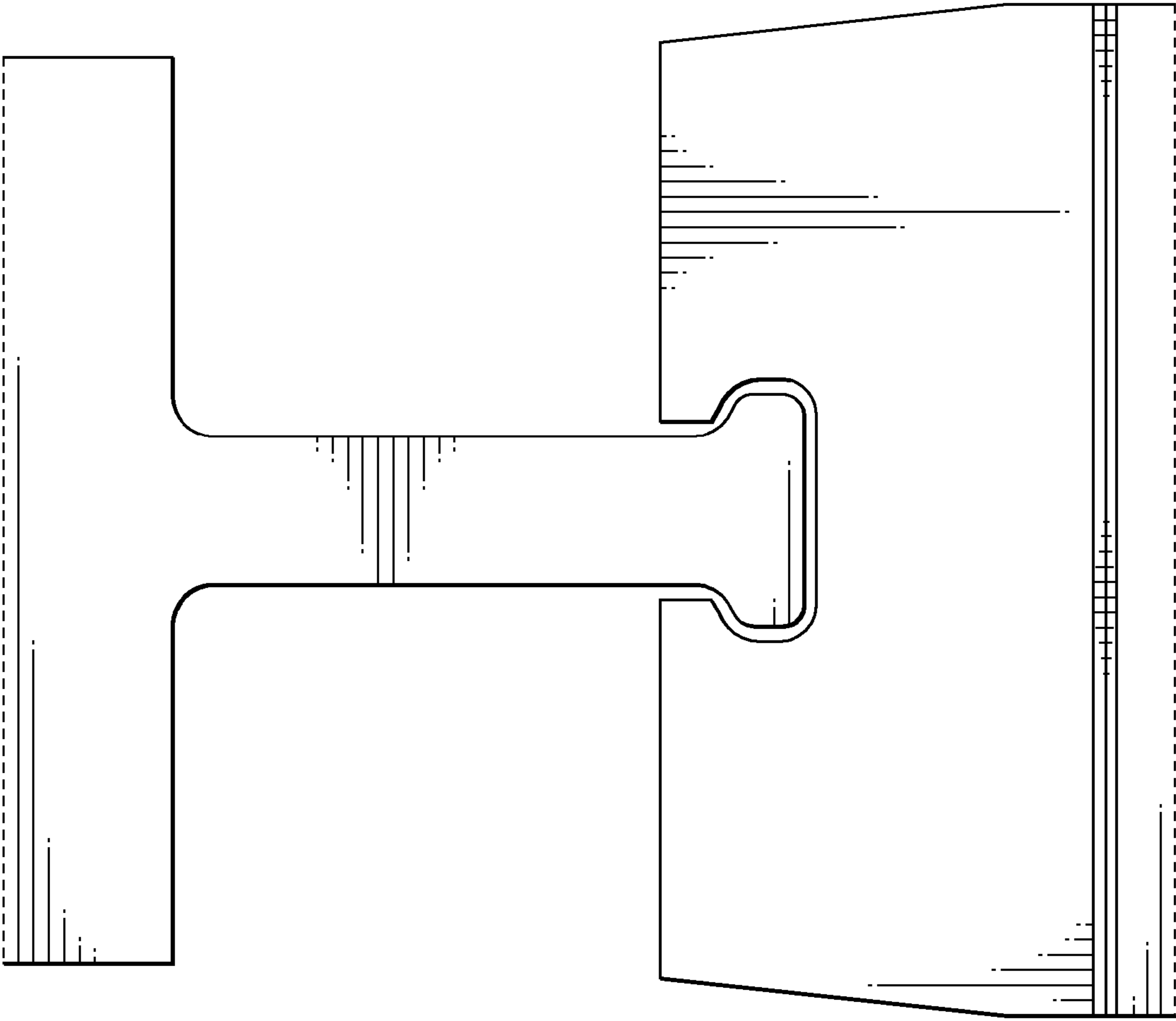
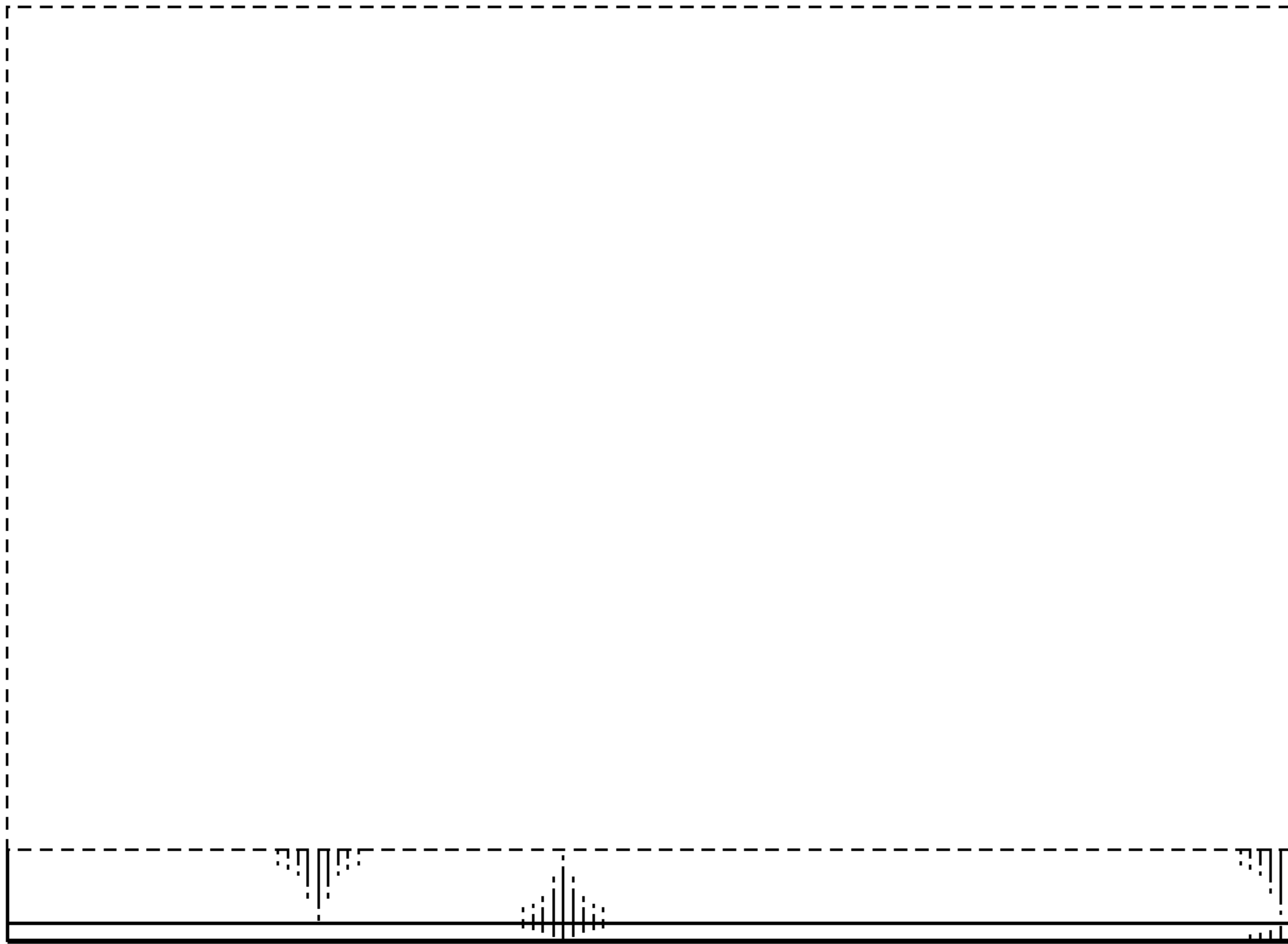
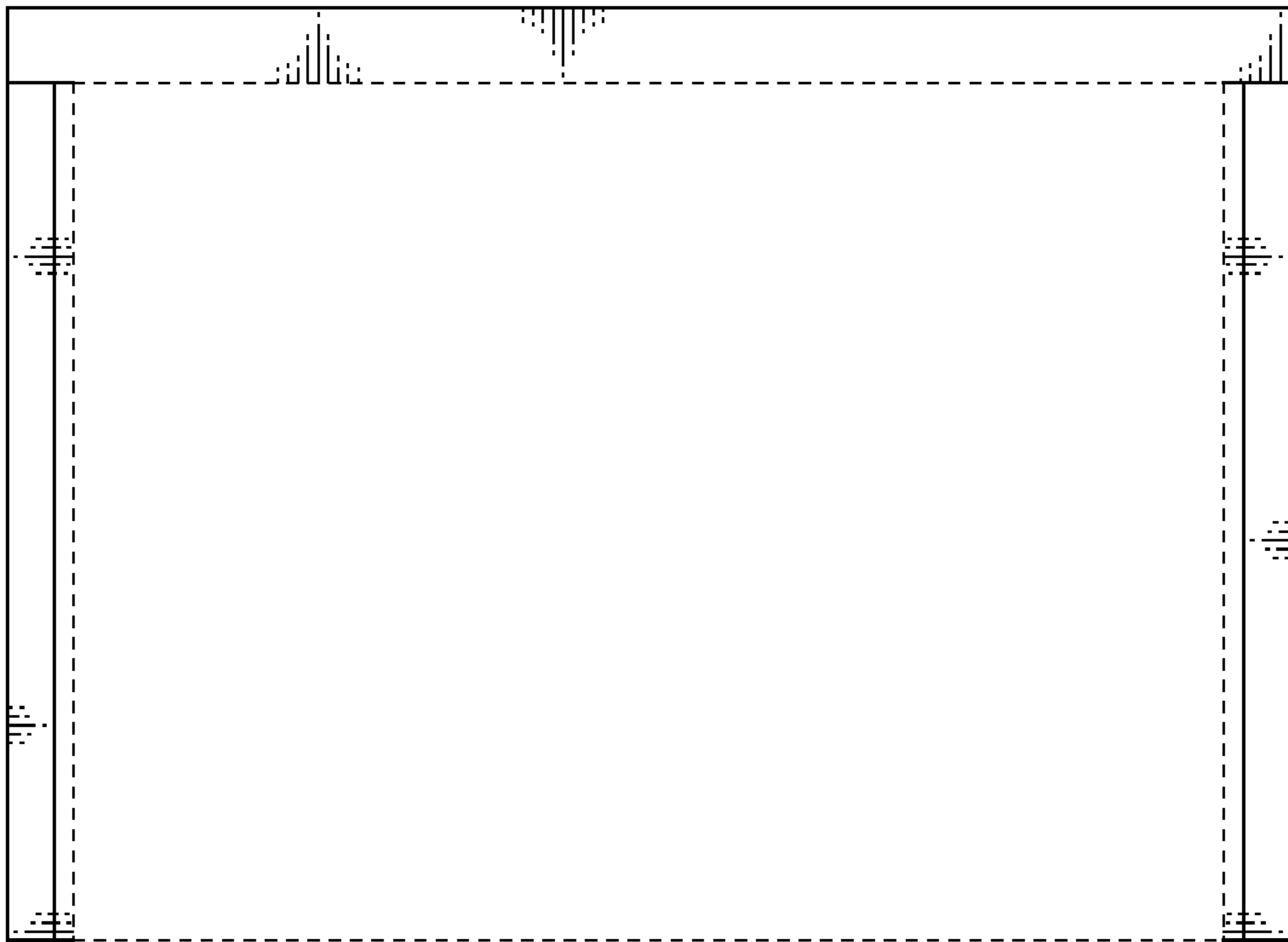


FIG. 10



**FIG. 11**



**FIG. 12**