



US00D636896S

(12) **United States Design Patent**  
**Gemma**

(10) **Patent No.:** **US D636,896 S**

(45) **Date of Patent:** **\*\* Apr. 26, 2011**

(54) **WORK CARRIER**

(76) Inventor: **Amanda Gemma**, San Diego, CA (US)

(\*\*) Term: **14 Years**

(21) Appl. No.: **29/358,769**

(22) Filed: **Mar. 31, 2010**

**Related U.S. Application Data**

(63) Continuation-in-part of application No. 12/321,224,  
filed on Jan. 20, 2009, now abandoned.

(51) **LOC (9) Cl.** ..... **25-04**

(52) **U.S. Cl.** ..... **D25/68**

(58) **Field of Classification Search** ..... D25/68;  
182/129; 248/238

See application file for complete search history.

(56) **References Cited**

U.S. PATENT DOCUMENTS

4,706,918	A *	11/1987	Wilson .....	248/210
5,727,649	A *	3/1998	Buckley .....	182/129
6,334,509	B1 *	1/2002	Ryszkiewicz .....	182/129
D547,460	S *	7/2007	Asham .....	D25/68

\* cited by examiner

*Primary Examiner* — Doris Clark

(74) *Attorney, Agent, or Firm* — ARC IP Law, PC; Joseph J. Mayo

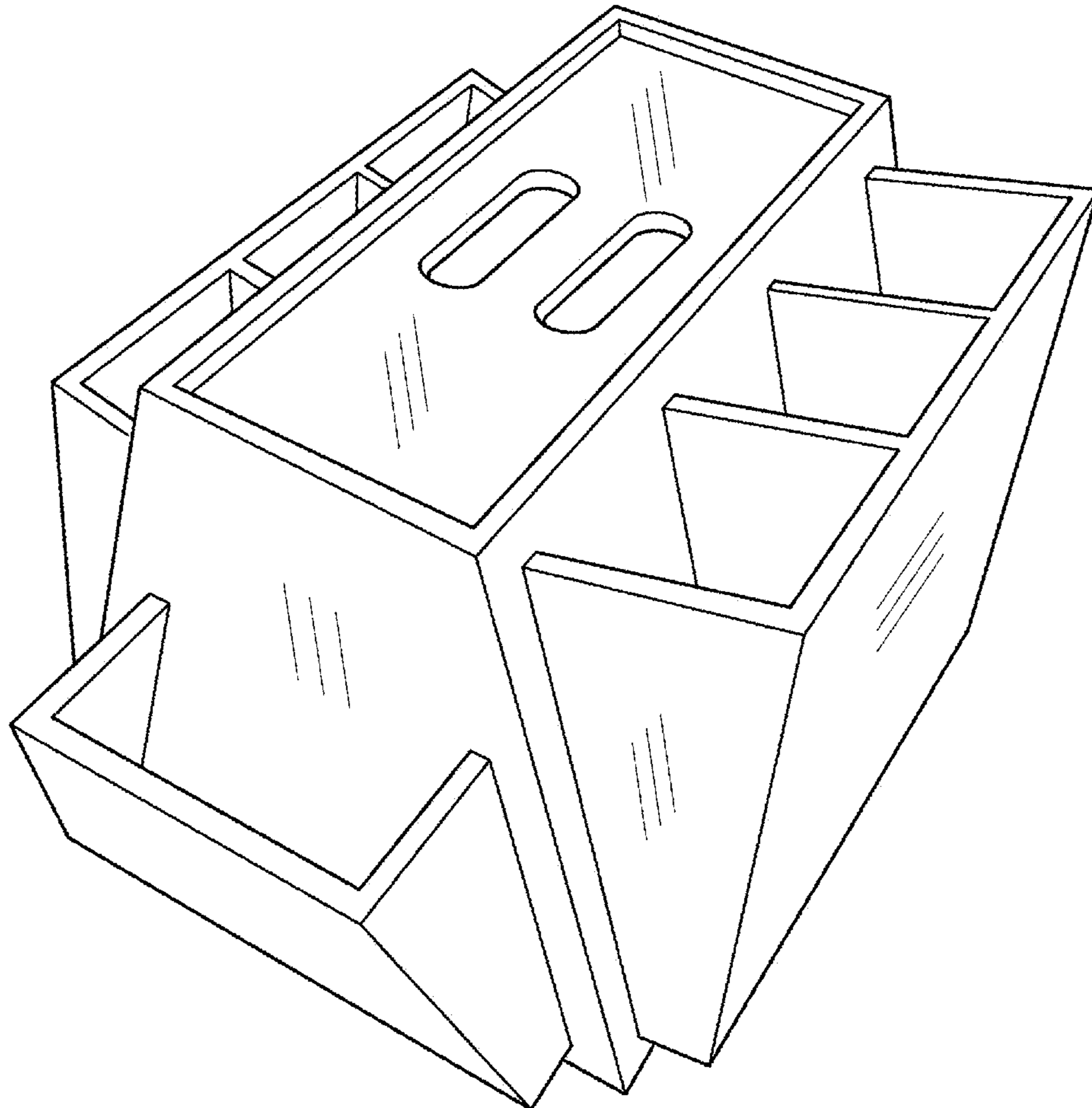
(57) **CLAIM**

The ornamental design for a work carrier, as shown and described.

**DESCRIPTION**

FIG. 1 is a perspective view of a work carrier.  
FIG. 2 is a top view of a work carrier.  
FIG. 3 is a bottom view of a work carrier.  
FIG. 4 is a left side view of a work carrier; and,  
FIG. 5 is a right side view of a work carrier.

**1 Claim, 2 Drawing Sheets**



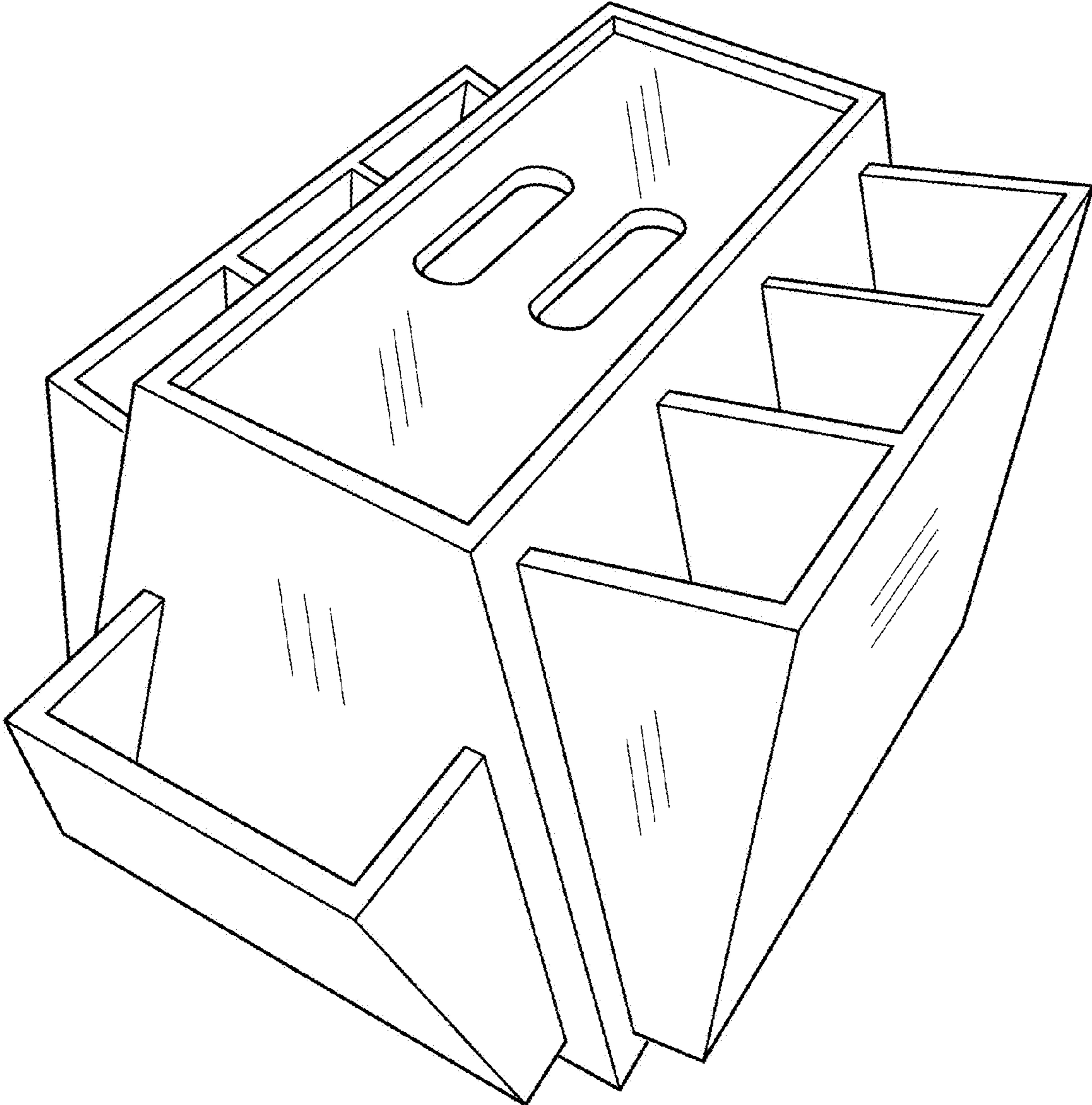


Fig. 1

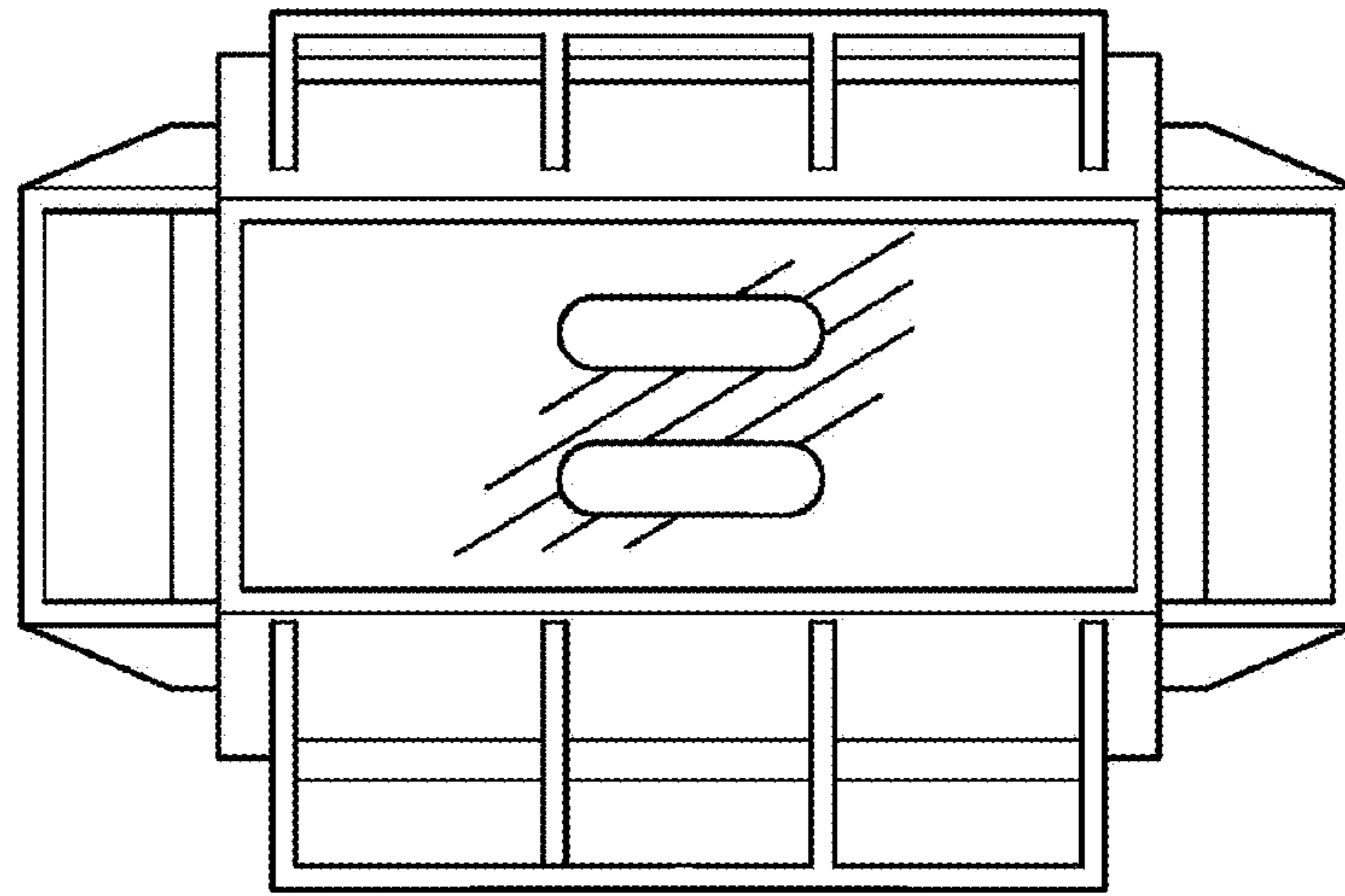


Fig. 2

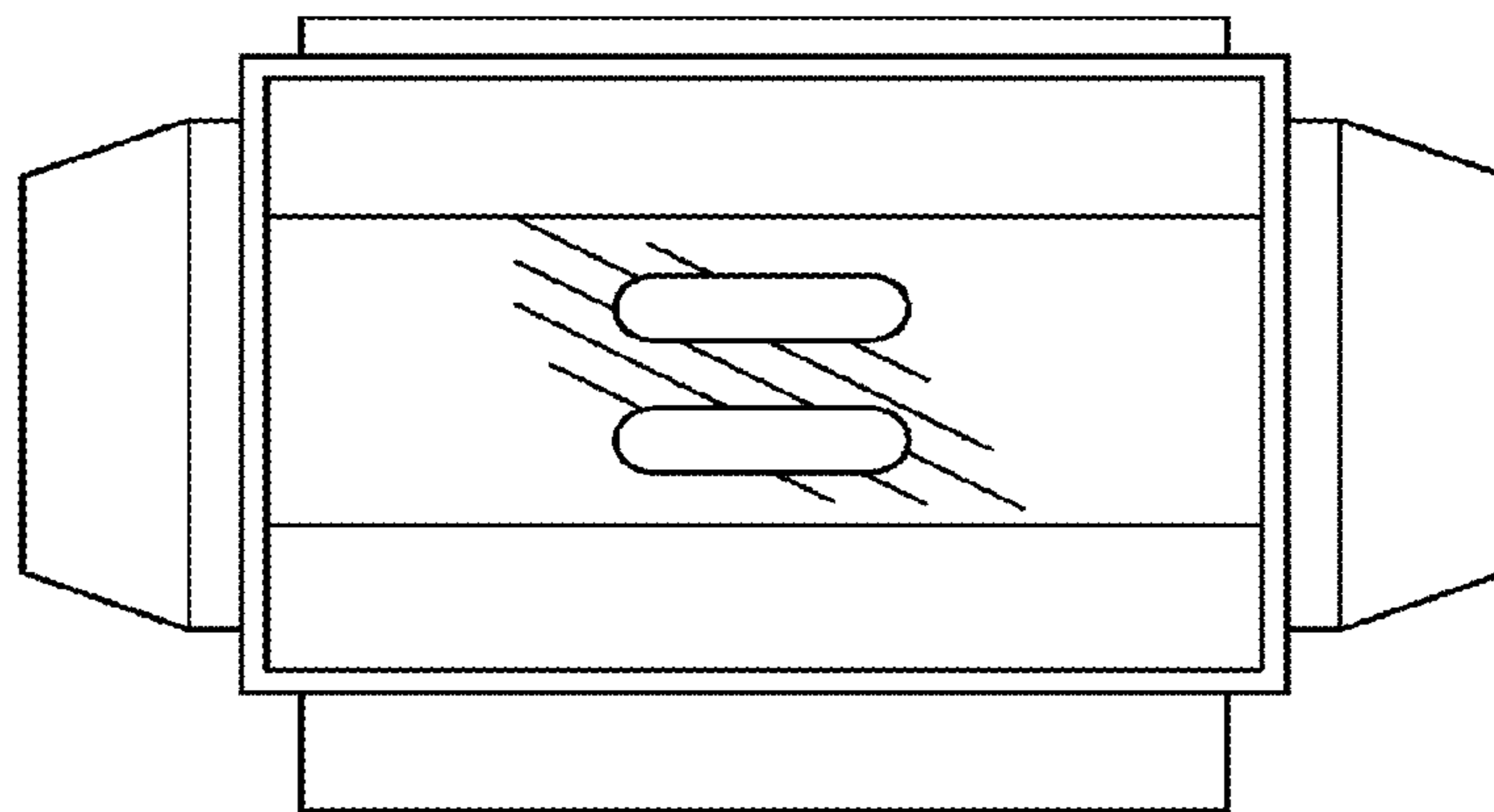


Fig. 3

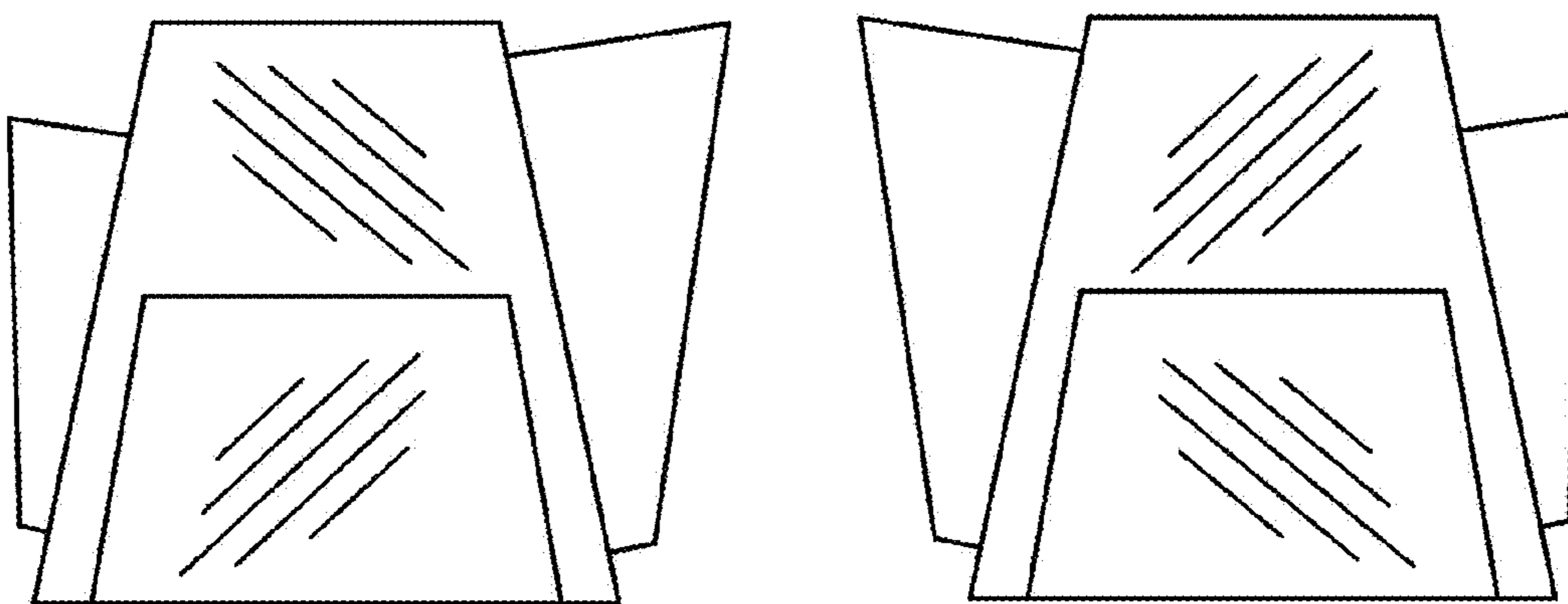


Fig. 4

Fig. 5