



US00D636895S

(12) **United States Design Patent**  
**Honeycutt**

(10) **Patent No.:** **US D636,895 S**  
(45) **Date of Patent:** **\*\* Apr. 26, 2011**

(54) **GANGWAY HANDRAIL**

(75) Inventor: **Robert W. Honeycutt**, Pawleys Island, SC (US)

(73) Assignee: **Safe Rack LLC**, Andrews, SC (US)

(\*\*) Term: **14 Years**

(21) Appl. No.: **29/376,217**

(22) Filed: **Oct. 4, 2010**

**Related U.S. Application Data**

(62) Division of application No. 29/342,583, filed on Aug. 27, 2009, now Pat. No. Des. 625,022.

(51) **LOC (9) Cl.** ..... **25-02**

(52) **U.S. Cl.** ..... **D25/38; D25/41**

(58) **Field of Classification Search** ..... D25/38, D25/41; 14/69.5; 182/113

See application file for complete search history.

(56) **References Cited**

**U.S. PATENT DOCUMENTS**

5,579,864	A *	12/1996	Shorrock	182/113
5,967,258	A *	10/1999	Scott et al.	182/113
D491,672	S *	6/2004	Self et al.	D25/41
D509,905	S *	9/2005	Baker	D25/38
D518,183	S *	3/2006	Hsieh	D25/38
2009/0144916	A1	6/2009	Honeycutt	

**OTHER PUBLICATIONS**

Copending U.S. Appl. No. 12/552,811, filed on Sep. 2, 2009.

\* cited by examiner

*Primary Examiner* — Doris Clark

(74) *Attorney, Agent, or Firm* — Nelson Mullins Riley & Scarborough, LLP

(57) **CLAIM**

I claim the ornamental design for a gangway handrail, as shown and described.

**DESCRIPTION**

FIG. 1 is a perspective view of a gangway handrail in accordance with an embodiment of the present invention;

FIG. 2 is a side elevation view of the gangway handrail of FIG. 1;

FIG. 3 is a top plan view of the gangway handrail of FIG. 1;

FIG. 4 is a front elevation view of the gangway handrail of FIG. 1;

FIG. 5 is a rear elevation view of the gangway handrail of FIG. 1;

FIG. 6 is a bottom plan view of the gangway handrail of FIG. 1;

FIG. 7 is a perspective view of a gangway handrail in accordance with a second embodiment of the present invention;

FIG. 8 is a side elevation view of the gangway handrail of FIG. 7;

FIG. 9 is a top plan view of the gangway handrail of FIG. 7;

FIG. 10 is a front elevation view of the gangway handrail of FIG. 7;

FIG. 11 is a rear elevation view of the gangway handrail of FIG. 7;

FIG. 12 is a bottom plan view of the gangway handrail of FIG. 7;

FIG. 13 is a perspective view of a gangway handrail in accordance with a third embodiment of the present invention;

FIG. 14 is a side elevation view of the gangway handrail of FIG. 13;

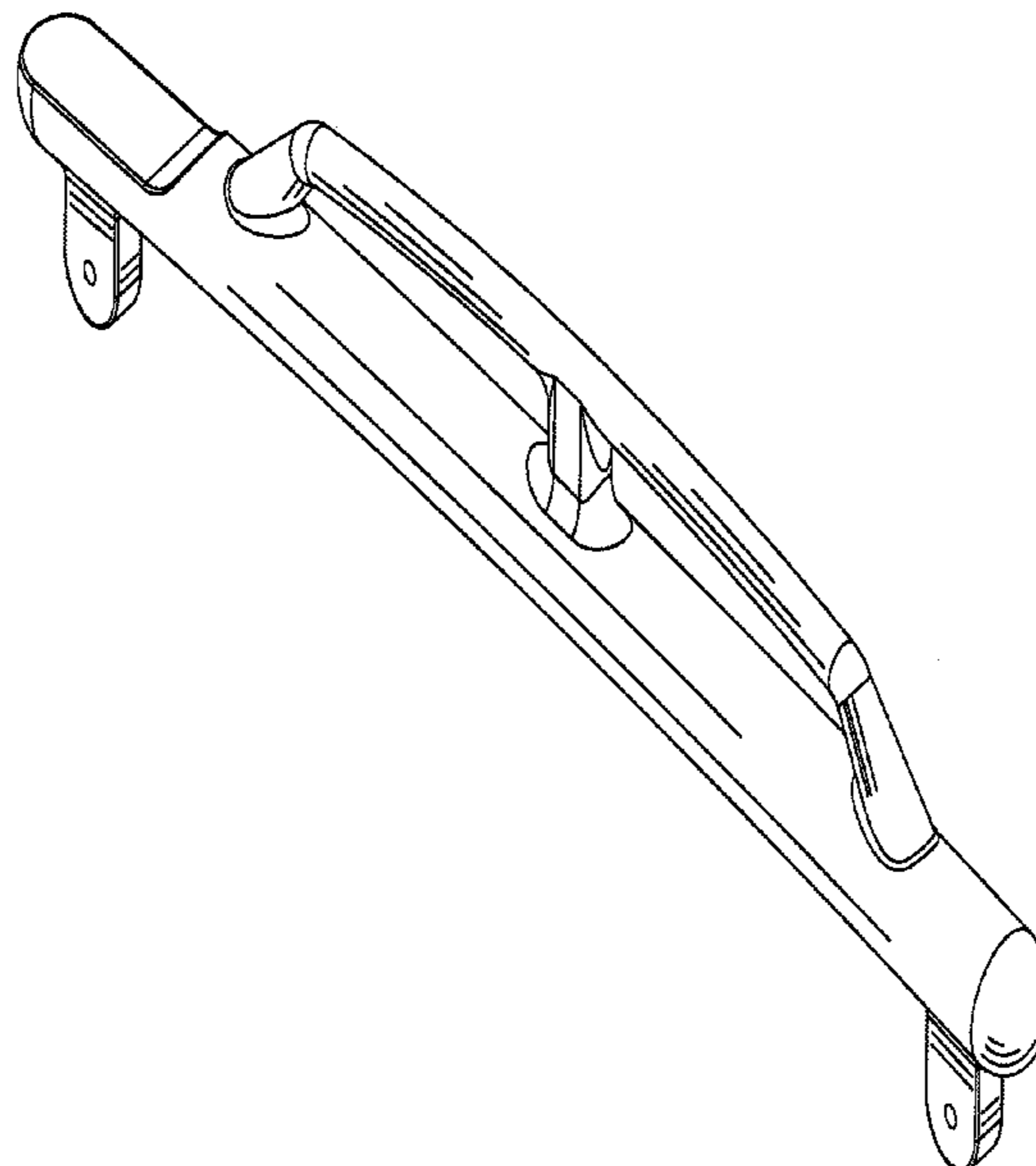
FIG. 15 is a top plan view of the gangway handrail of FIG. 13;

FIG. 16 is a front elevation view of the gangway handrail of FIG. 13;

FIG. 17 is a rear elevation view of the gangway handrail of FIG. 13; and,

FIG. 18 is a bottom plan view of the gangway handrail of FIG. 13.

**1 Claim, 18 Drawing Sheets**



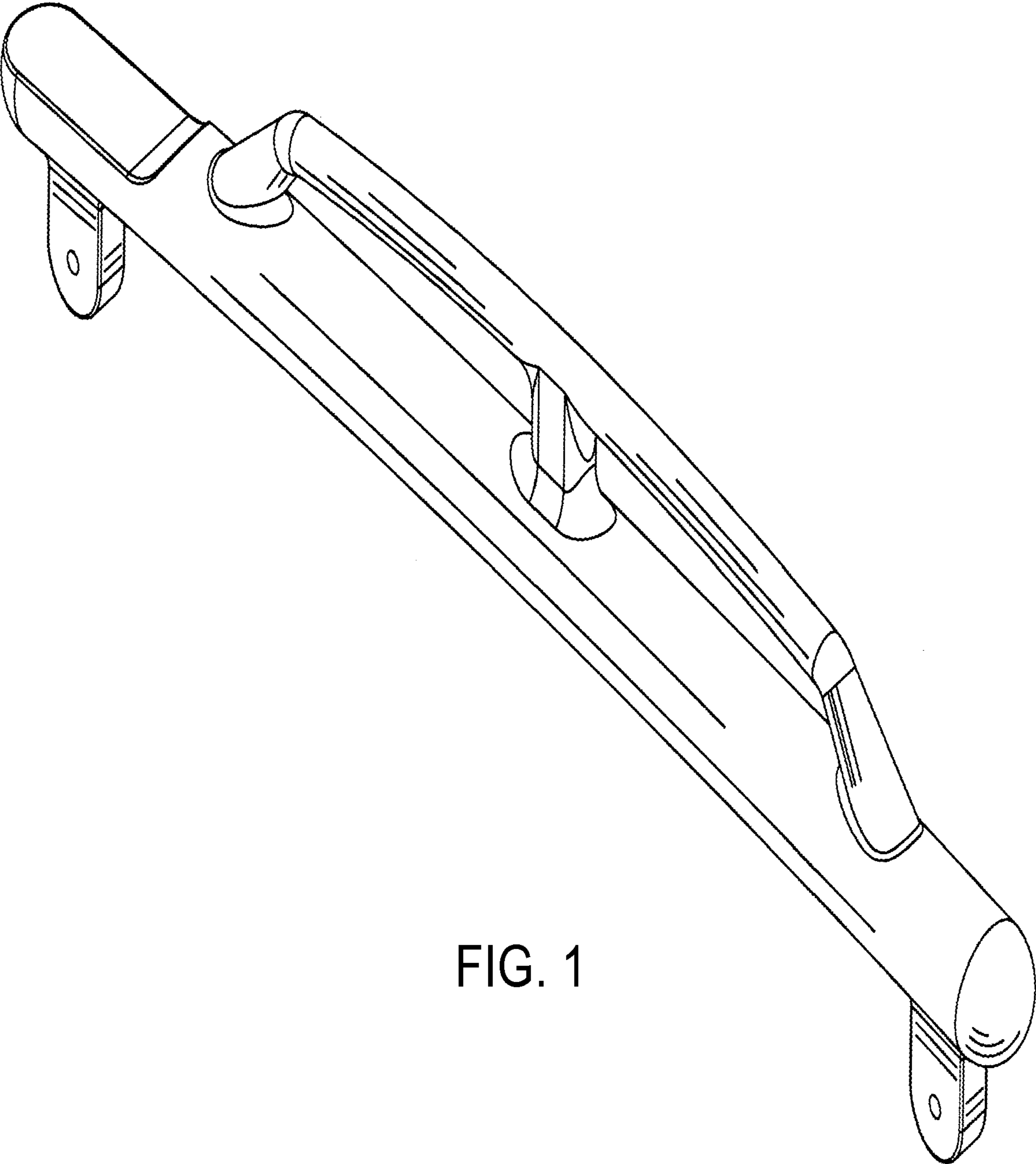


FIG. 1

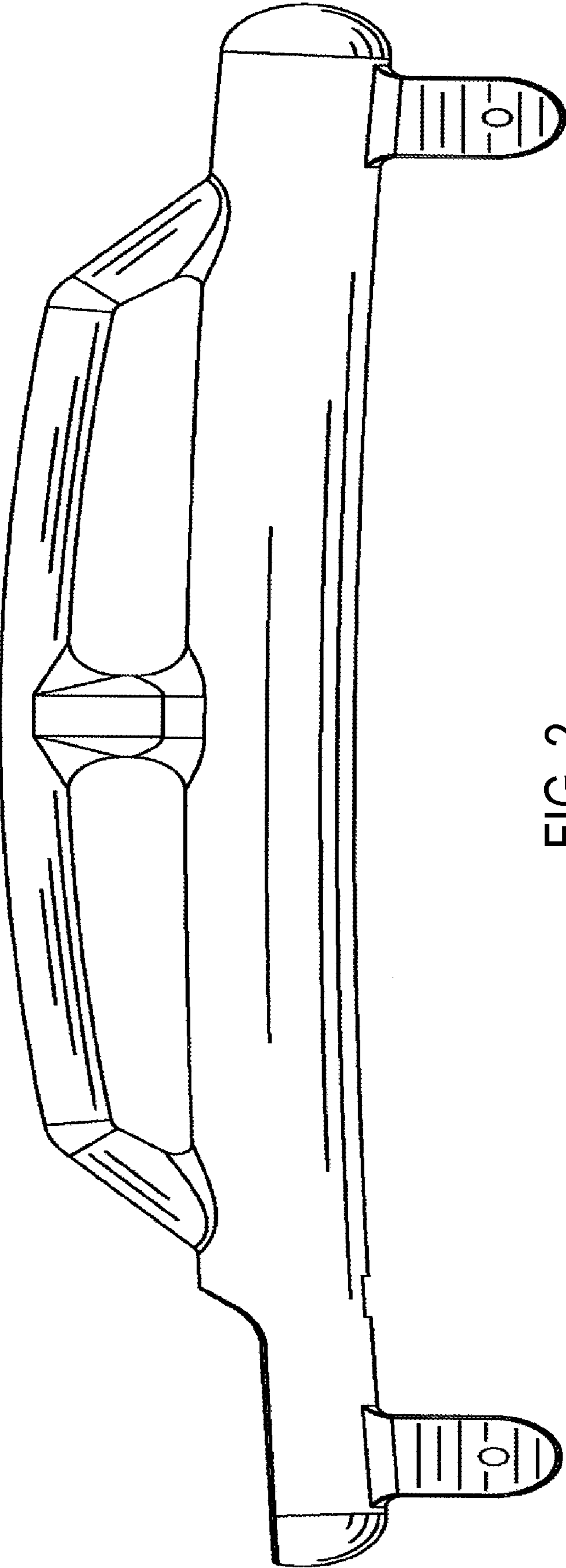


FIG. 2

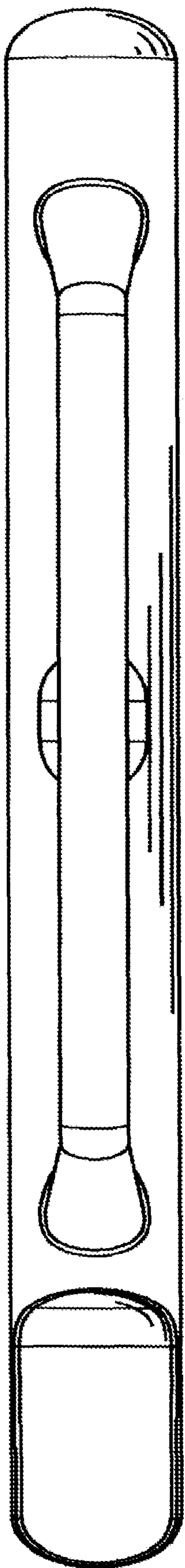


FIG. 3

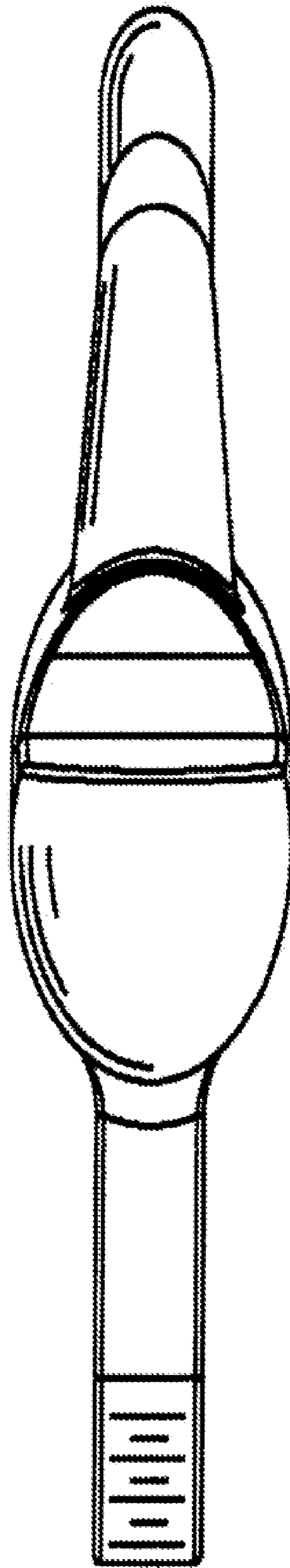


FIG. 4

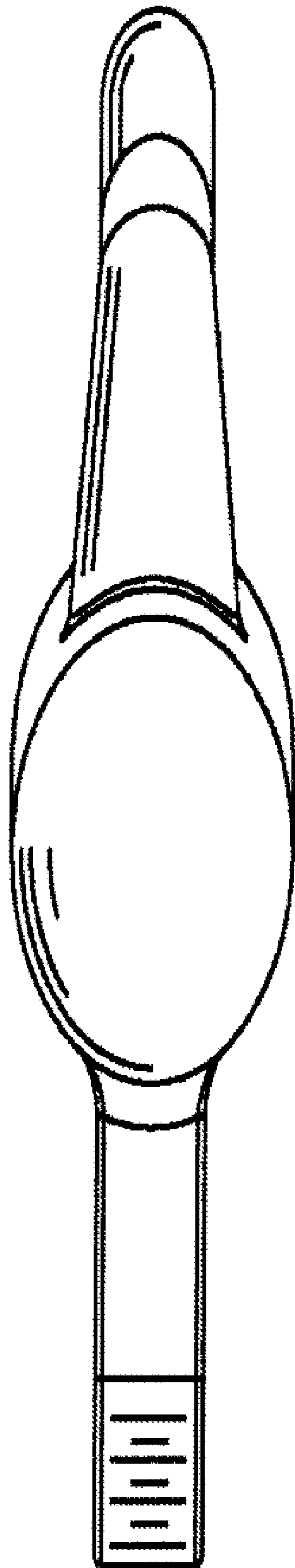


FIG. 5

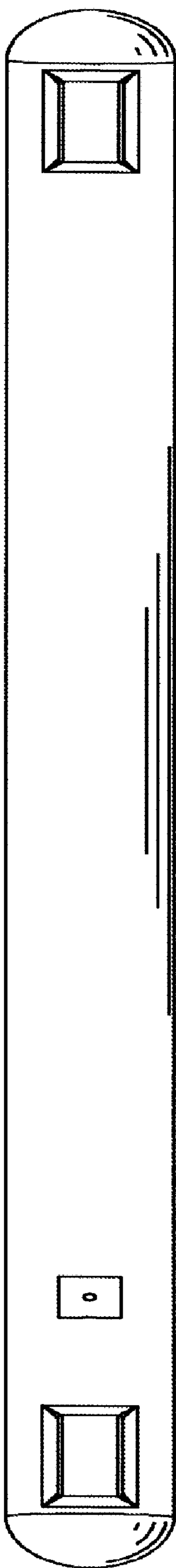


FIG. 6

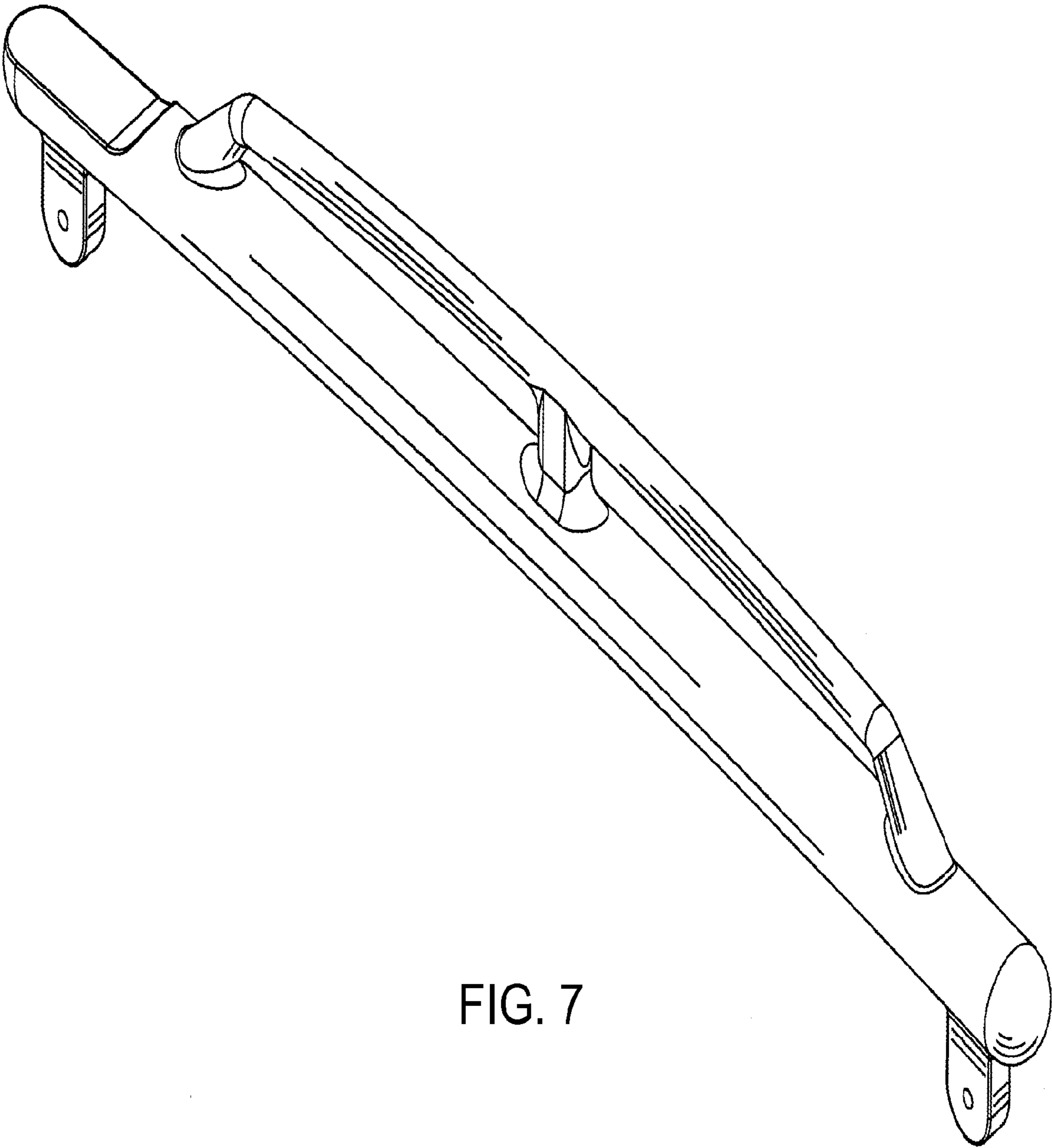


FIG. 7



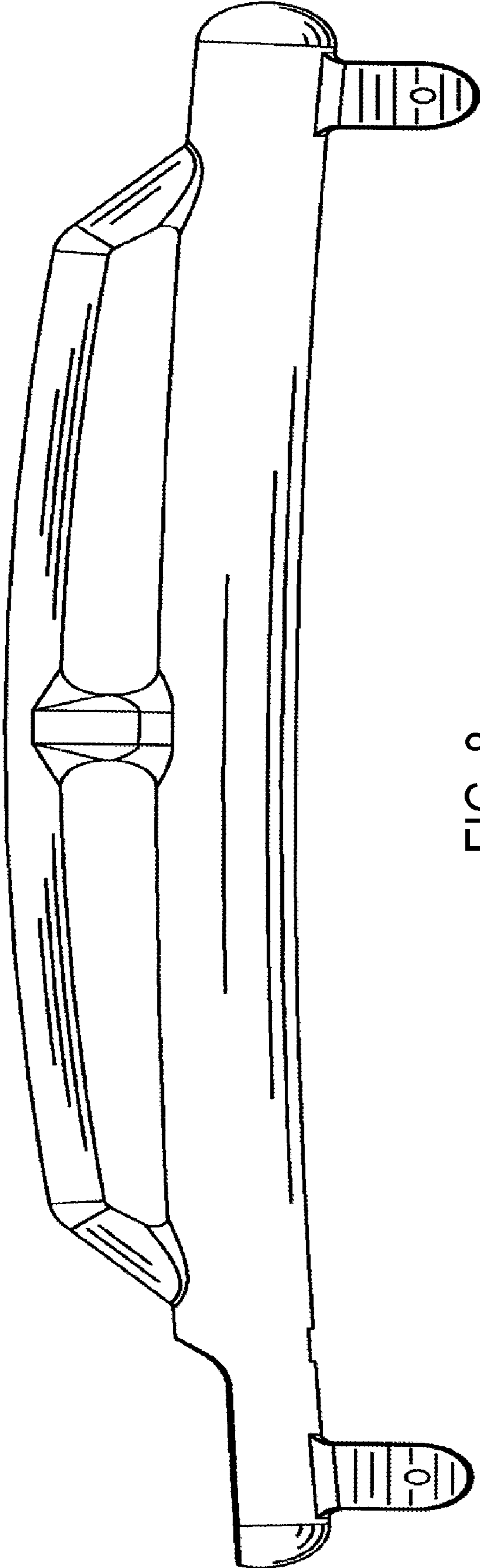


FIG. 8

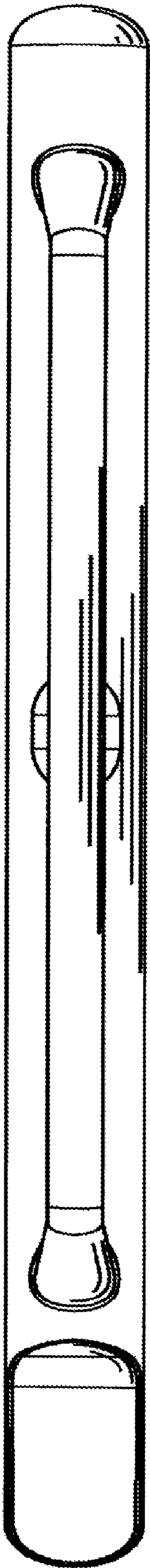


FIG. 9

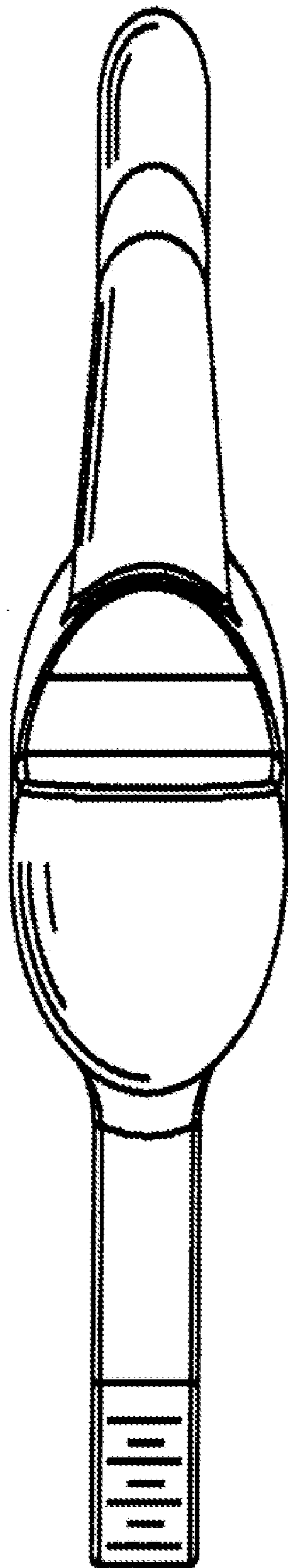


FIG. 10



FIG. 11

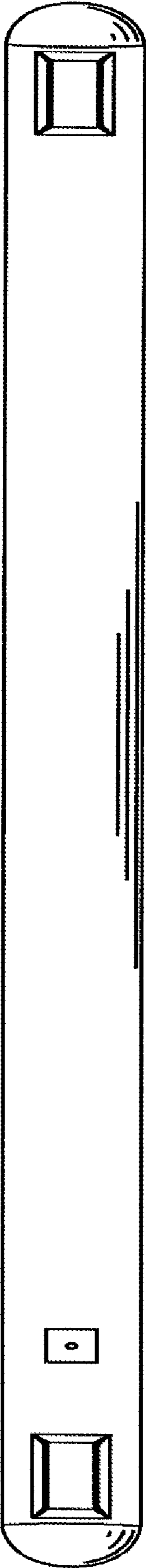


FIG. 12

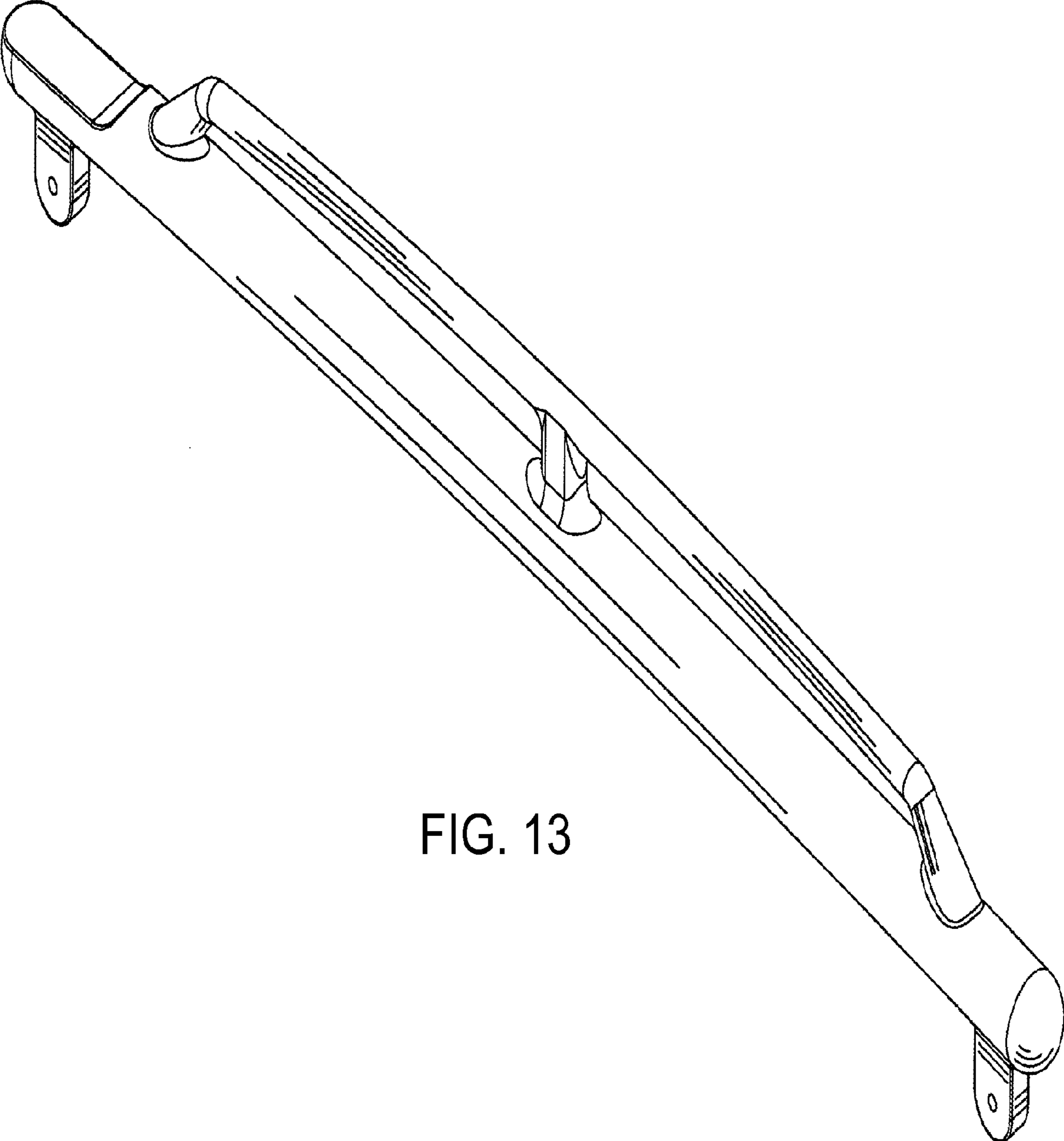


FIG. 13

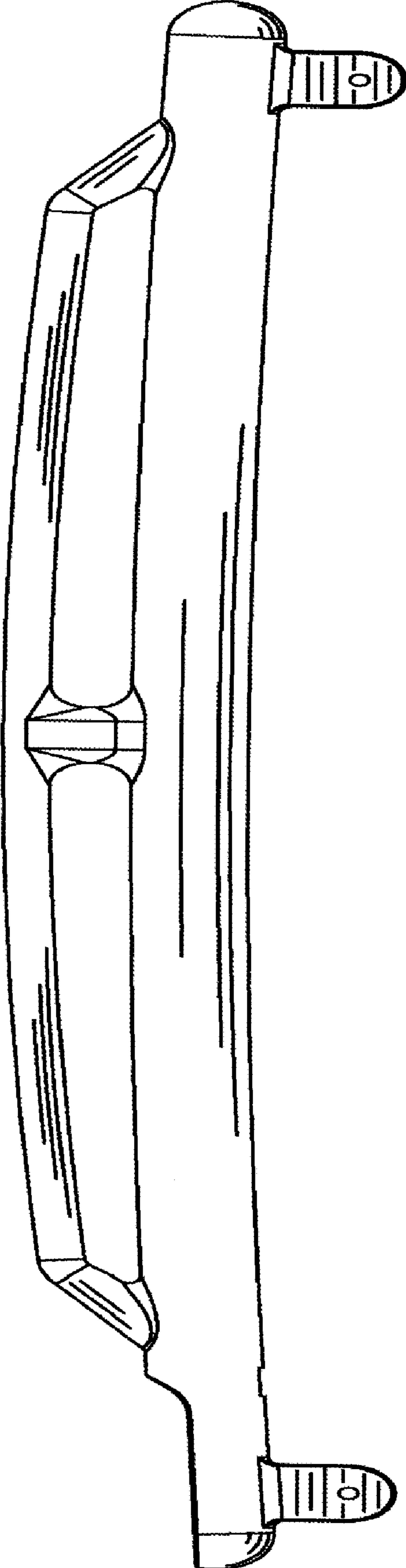


FIG. 14

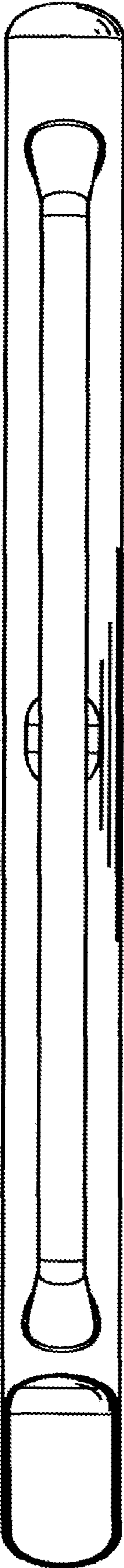


FIG. 15



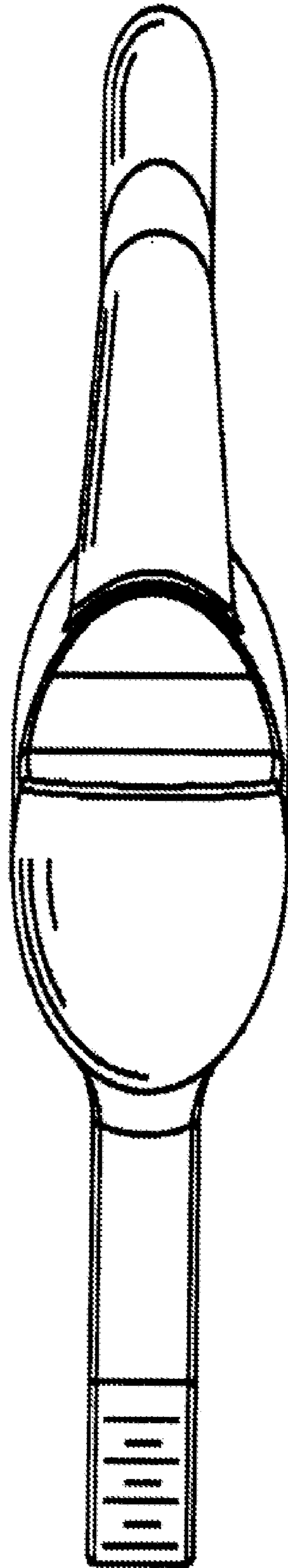


FIG. 16

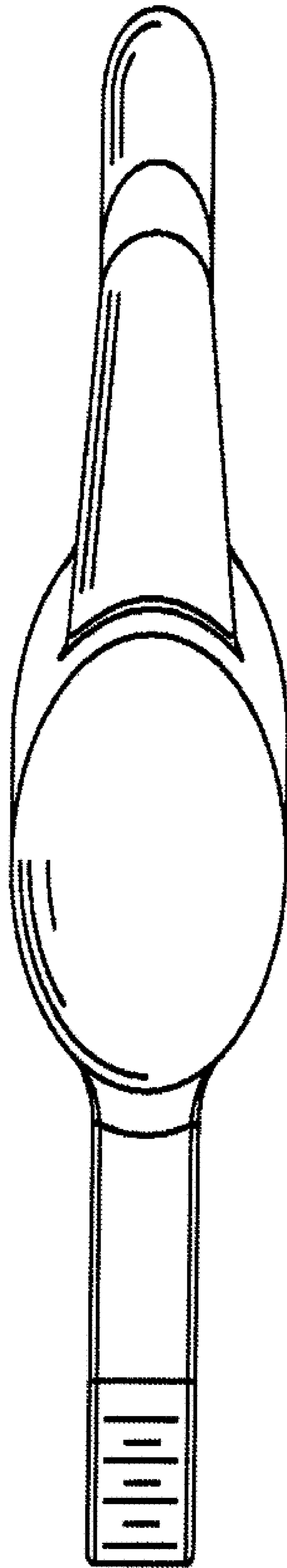


FIG. 17

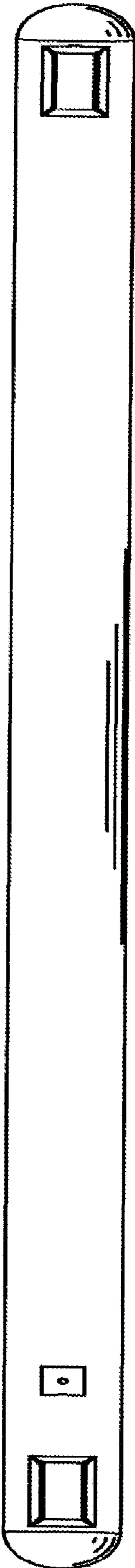


FIG. 18