

US00D636894S

(12) **United States Design Patent**
Tomes et al.

(10) **Patent No.:** **US D636,894 S**
(45) **Date of Patent:** **** Apr. 26, 2011**

(54) **MEDICAL TRAY**

(75) Inventors: **Jennifer E. Tomes**, Libertyville, IL (US); **Deborah B. Adler**, New York, NY (US); **Jack E. Maze**, Long Grove, IL (US); **Alberto C. Savage**, Buffalo Grove, IL (US); **Kenneth S. Chua**, Glenview, IL (US); **Earl D. Wilson**, Ingleside, IL (US); **John Henry Kutsch**, Harvard, IL (US)

(73) Assignee: **Medline Industries, Inc.**, Mundelein, IL (US)

(**) Term: **14 Years**

(21) Appl. No.: **29/366,808**

(22) Filed: **Jul. 29, 2010**

Related U.S. Application Data

(60) Division of application No. 29/362,279, filed on May 21, 2010, which is a division of application No. 29/352,783, filed on Dec. 27, 2009, now Pat. No. Des. 623,765, which is a continuation of application No. 29/338,022, filed on Jun. 3, 2009, now Pat. No. Des. 609,819.

(51) **LOC (9) Cl.** **24-01**

(52) **U.S. Cl.** **D24/227**

(58) **Field of Classification Search** D24/123, D24/176, 216, 223-232; 422/99, 102, 104, 422/297, 300; 433/77; D3/304, 307, 308, D3/314, 315; D7/500, 550.1, 543, 602, 554.3, D7/361, 354, 587; D6/406.1, 406.2, 406.3, D6/601; 206/557; D9/425

See application file for complete search history.

(56) **References Cited**

U.S. PATENT DOCUMENTS

3,329,261 A 7/1967 Serany, Jr. et al.
D218,077 S 7/1970 Gabriel

3,851,649 A 12/1974 Villari
D234,404 S 2/1975 Merril
D237,315 S 10/1975 Nowakowski
D237,317 S 10/1975 Norkowski

(Continued)

FOREIGN PATENT DOCUMENTS

EP 2007/045943 4/2007

(Continued)

OTHER PUBLICATIONS

Medline, "Medline Article/Brochure", Published 2008.

(Continued)

Primary Examiner — T. Chase Nelson

Assistant Examiner — Mark Cavanna

(74) *Attorney, Agent, or Firm* — David S. Noskowitz; Philip H. Burrus, IV

(57) **CLAIM**

The ornamental design for a medical tray, as shown and described.

DESCRIPTION

A portion of the disclosure of this patent document contains material to which a claim for copyright is made. The copyright owner has no objection to the facsimile reproduction by anyone of the patent document or the patent disclosure, as it appears in the Patent and Trademark Office patent file or records, but reserves all other copyrights whatsoever.

FIG. 1 is a front, right, top perspective view of a medical tray showing our new design;

FIG. 2 is a top plan view thereof;

FIG. 3 is a front elevation view thereof;

FIG. 4 is an inverted, rear elevation view thereof;

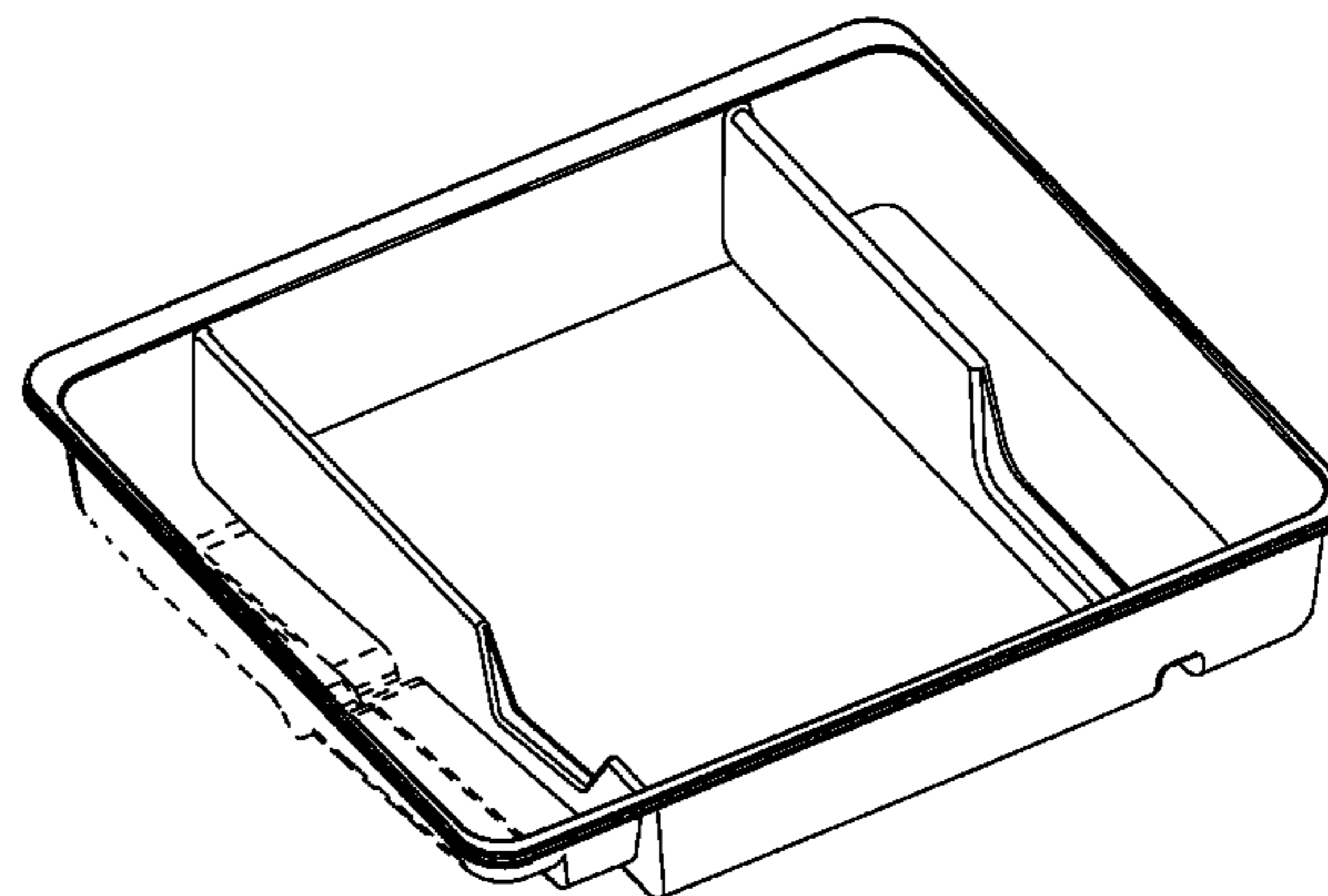
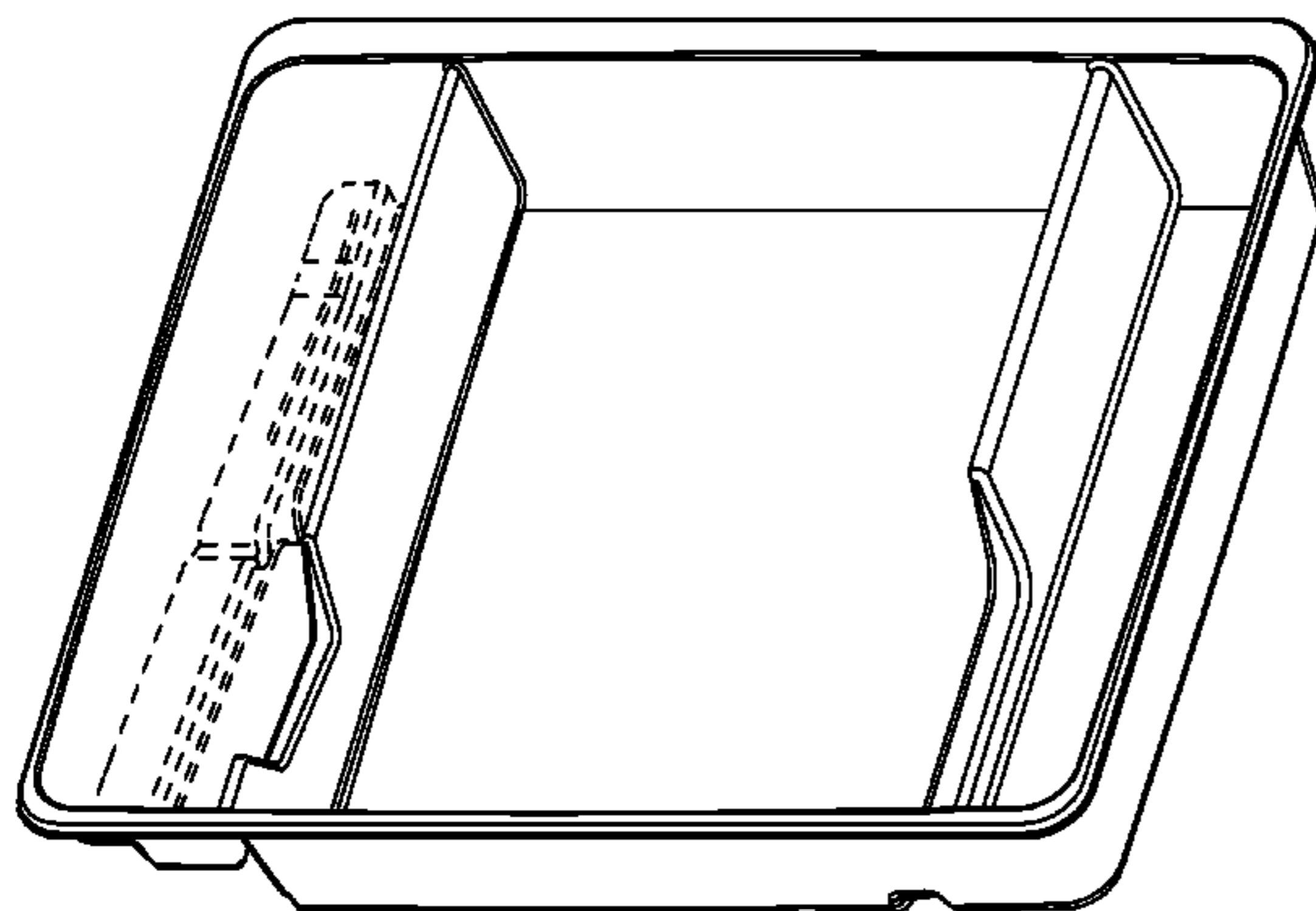
FIG. 5 is a rotated, right elevation view thereof;

FIG. 6 is a rotated, left elevation view thereof;

FIG. 7 is a bottom plan view thereof; and,

FIG. 8 is a front, left, top perspective view thereof.

1 Claim, 6 Drawing Sheets



US D636,894 S

Page 2

U.S. PATENT DOCUMENTS

D243,798 S 3/1977 Swartz
D248,871 S 8/1978 Forsman et al.
D249,362 S 9/1978 Forsman et al.
D262,995 S 2/1982 Gaba et al.
D268,130 S 3/1983 Easton
D275,886 S 10/1984 Sheward et al.
D276,462 S 11/1984 Villarreal
4,523,679 A 6/1985 Paikoff et al.
D280,663 S 9/1985 Albon et al.
D280,933 S 10/1985 McLaughlin
D283,051 S 3/1986 Fichera
D287,760 S 1/1987 Discko, Jr.
4,761,008 A 8/1988 Huggins
D334,973 S 4/1993 Valentine et al.
D337,830 S 7/1993 Coyne et al.
D343,687 S 1/1994 Houghton et al.
5,339,955 A 8/1994 Horan et al.
D351,661 S 10/1994 Fischer
5,392,918 A 2/1995 Harrison
D387,177 S 12/1997 Davis
5,975,295 A 11/1999 Diamond
6,012,586 A 1/2000 Misra
6,068,121 A 5/2000 McGlinch
D450,130 S 11/2001 Goldstein
6,926,708 B1 8/2005 Franks-Farah et al.

D596,311 S 7/2009 Antons
D609,819 S * 2/2010 Tomes et al. D24/227
2007/0084742 A1 4/2007 Miller et al.

FOREIGN PATENT DOCUMENTS

WO WO-2007/045943 4/2007

OTHER PUBLICATIONS

Yuan, Minqiang "Non-Final Office Action", Chinese Application No. 200920267201.2, Mailed Jun. 4, 2010.
Yuan, Minqiang "Non-Final Office Action", Chinese Application No. 200920267201.2, Mailed Aug. 9, 2010.
European Patent Office, "Extended EPO Search Report", Application No. 10251024.5, In the Name of Medline Industries, Mailed Oct. 18, 2010.
Poon, Robert "Non-Final Office Action", U.S. Appl. No. 12/495,148, filed Jun. 30, 2009; first inventor: Jennifer E. Tomes; mailed: Aug. 4, 2010.
Yuan, Minqiang "Non-Final Office Action", Chinese Application No. 200920267201.2, In the Name of Medline Industries, Inc., Entitled Tray for Medical Devices and Packaging System, Mailed Sep. 9, 2010.
Extended EPO Search Report, EPO Application No. 10251025.2—1526, Mailed Sep. 29, 2010.

* cited by examiner

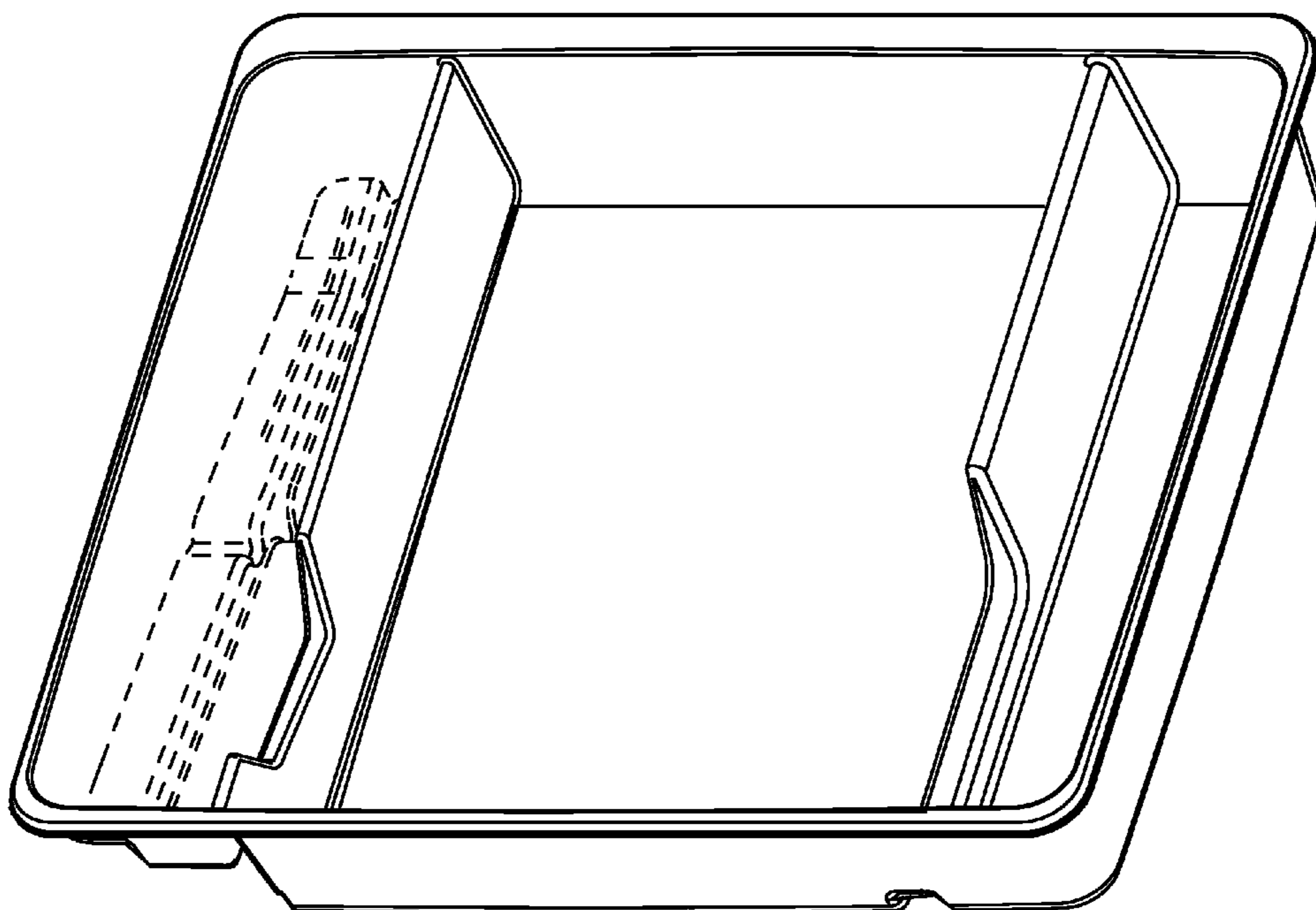


FIG. 1

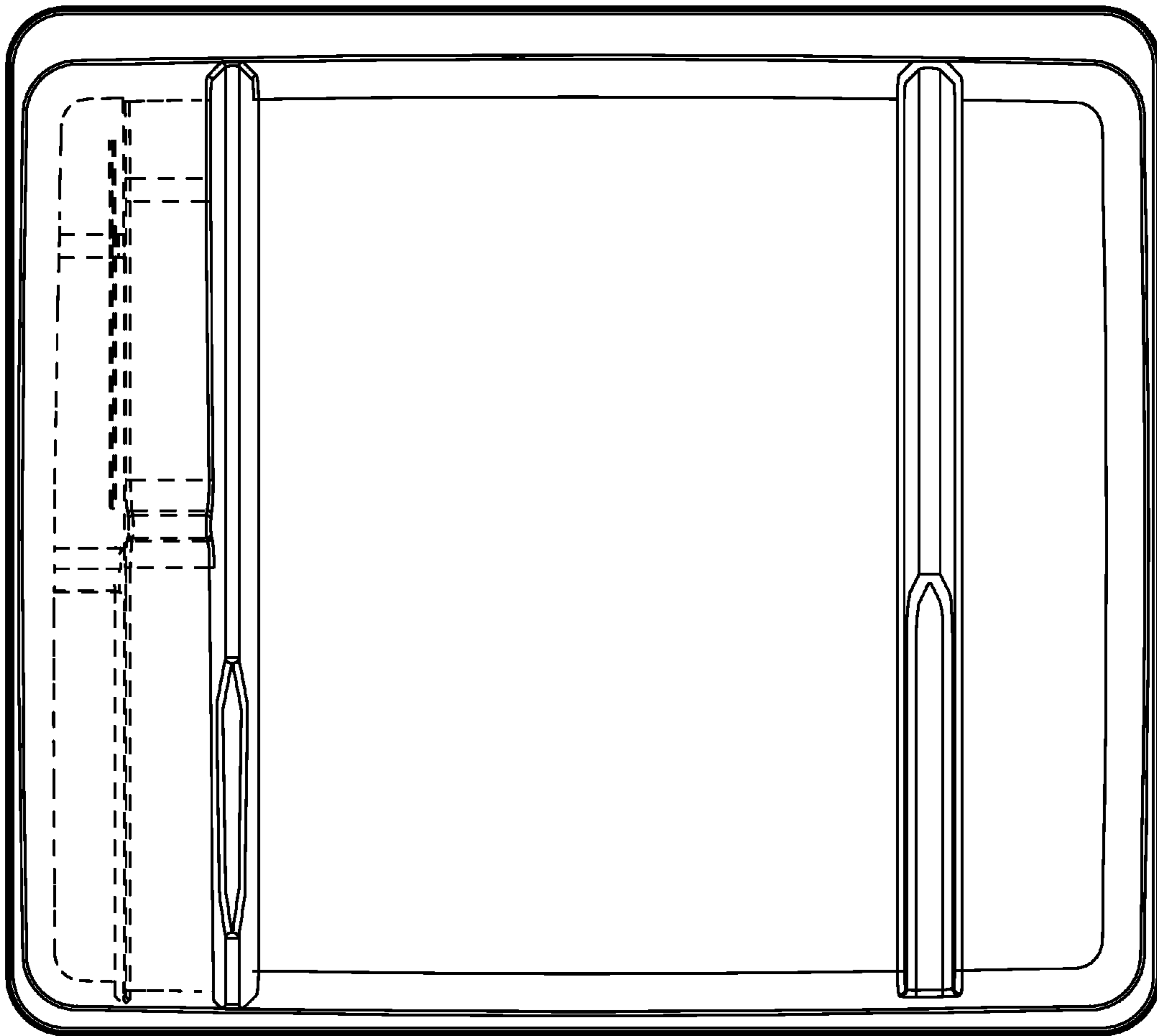


FIG. 2



FIG. 3

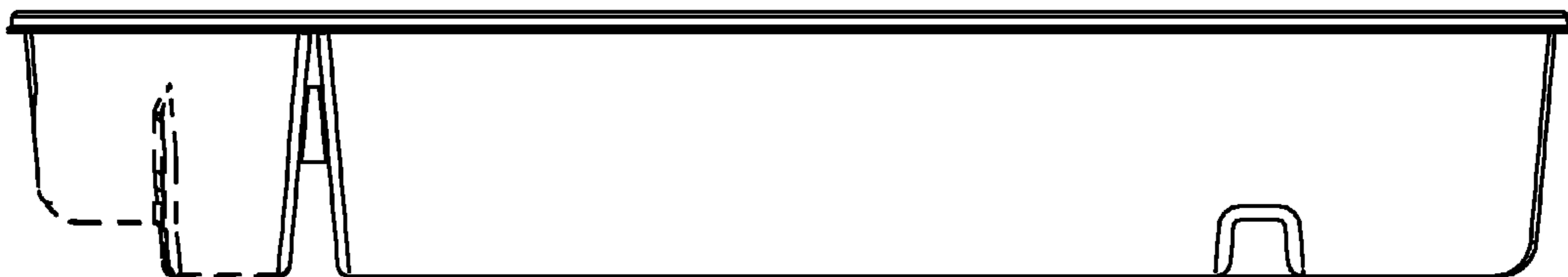


FIG. 4

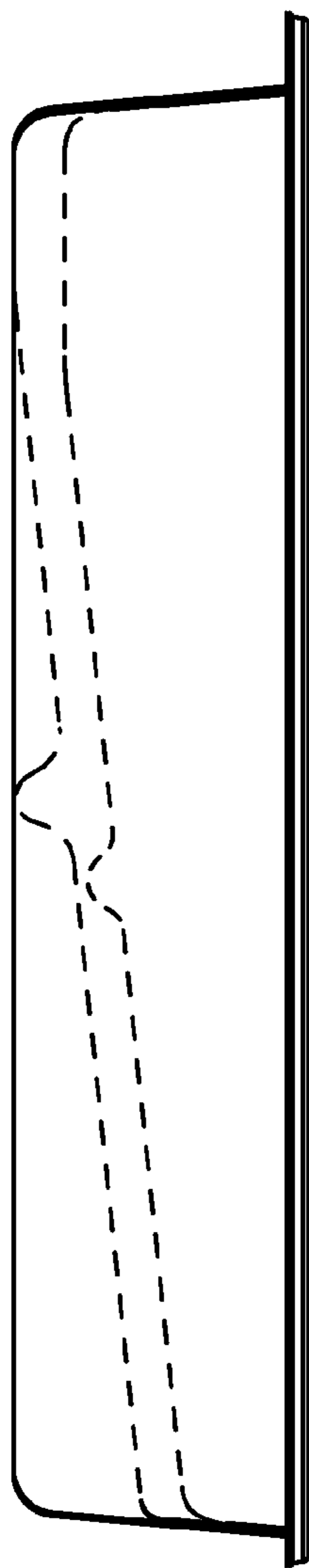


FIG. 5

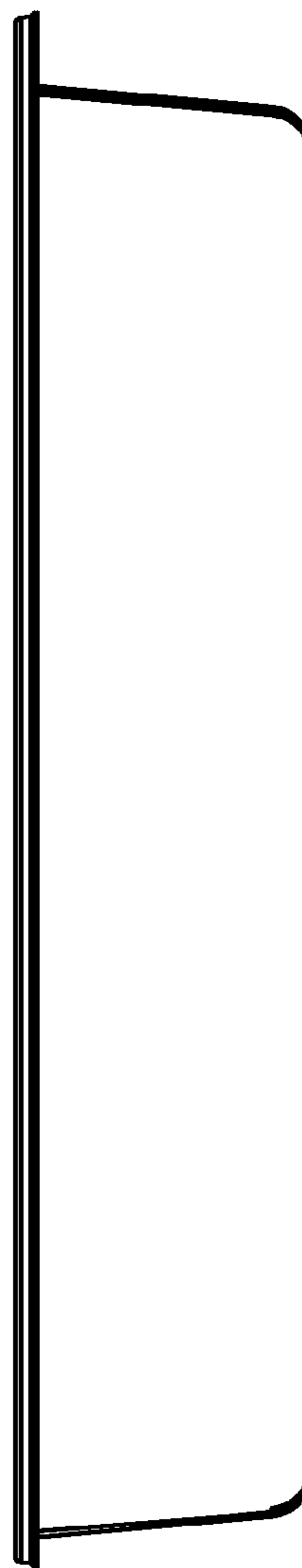


FIG. 6

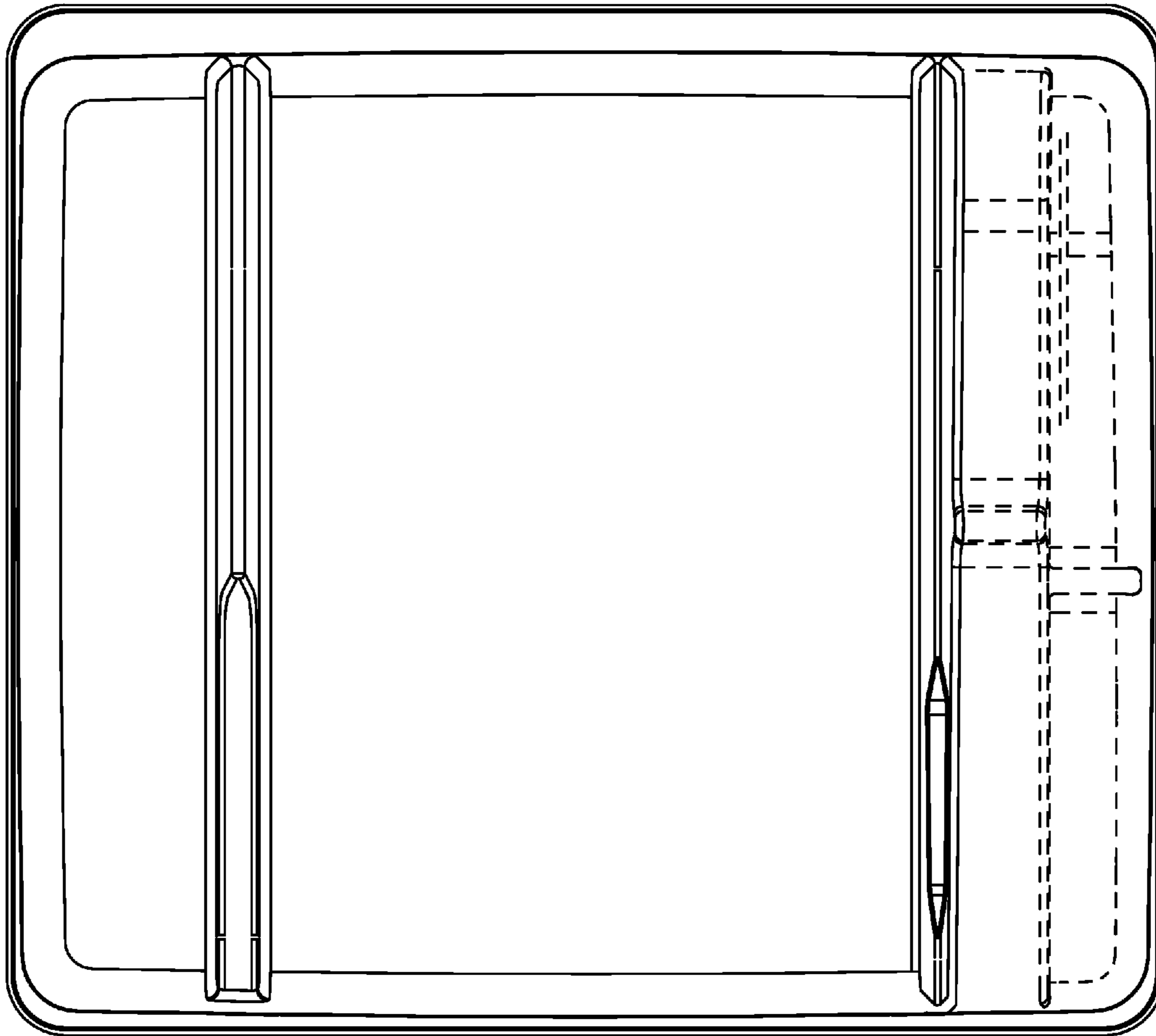


FIG. 7

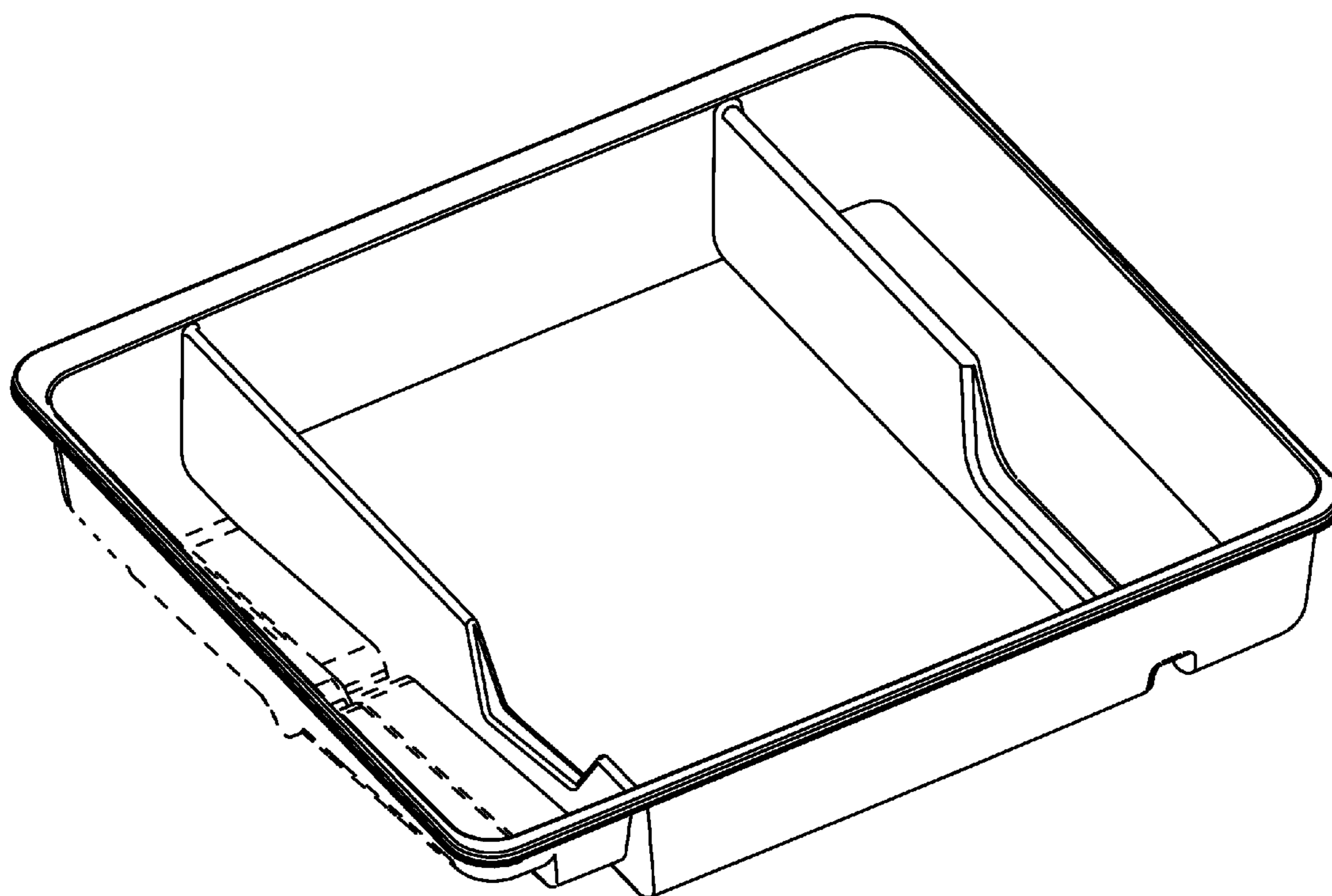


FIG. 8